



US00D375159S

United States Patent [19]

Johansson

[11] Patent Number: **Des. 375,159**

[45] Date of Patent: ****Oct. 29, 1996**

[54] SALIVA EXTRACTOR TUBE

[75] Inventor: **Lars-Gunnar Johansson**, Bredaryd, Sweden

[73] Assignee: **DX Plastic AB**, Sweden

[**] Term: **14 Years**

[21] Appl. No.: **44,612**

[22] Filed: **Sep. 27, 1995**

[30] **Foreign Application Priority Data**

Mar. 27, 1995 [SE] Sweden SE 95-0641

[52] U.S. Cl. **D24/112; D23/266; D24/176; D25/122**

[58] Field of Search **D24/112, 176, D24/152; D23/266; D25/124, 164, 122; 433/91, 93, 96, 94, 95, 92**

[56] **References Cited**

U.S. PATENT DOCUMENTS

D. 247,574 3/1978 Orsing D24/112

D. 258,531 3/1981 Orsing D24/112
5,061,180 10/1991 Wiele 433/91
5,441,410 8/1995 Segerdal 433/96 X

Primary Examiner—Louis S. Zarfaz
Assistant Examiner—I. Simmons
Attorney, Agent, or Firm—Ostrolenk, Faber, Gerb & Soffen, LLP

[57] **CLAIM**

The ornamental design for a saliva extractor tube, as shown and described.

DESCRIPTION

FIG. 1 is a front end perspective view of a saliva extractor tube showing my new design, the tube being uniform around its entire circumference; and,

FIG. 2 is the opposite end view thereof.

1 Claim, 1 Drawing Sheet

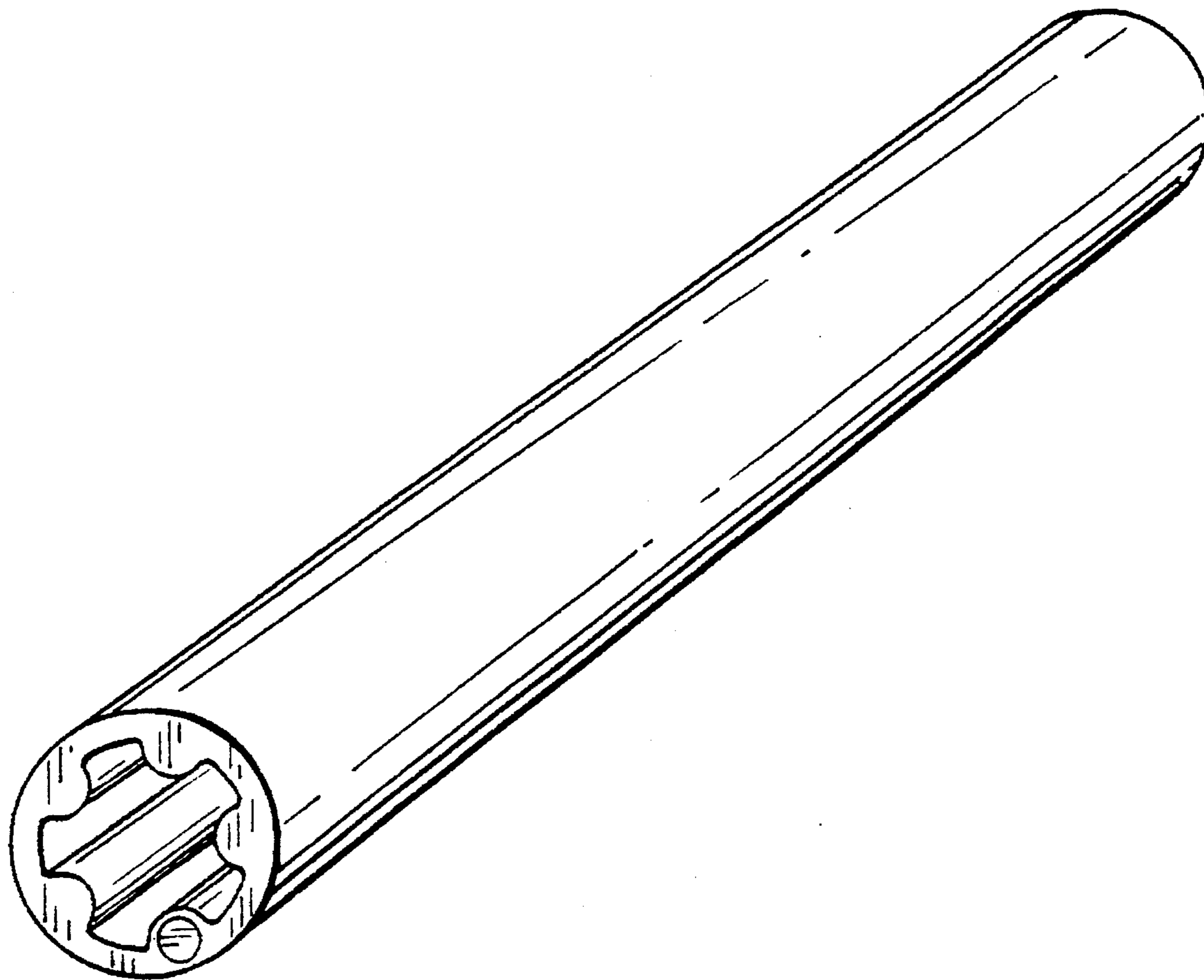


Fig. 1

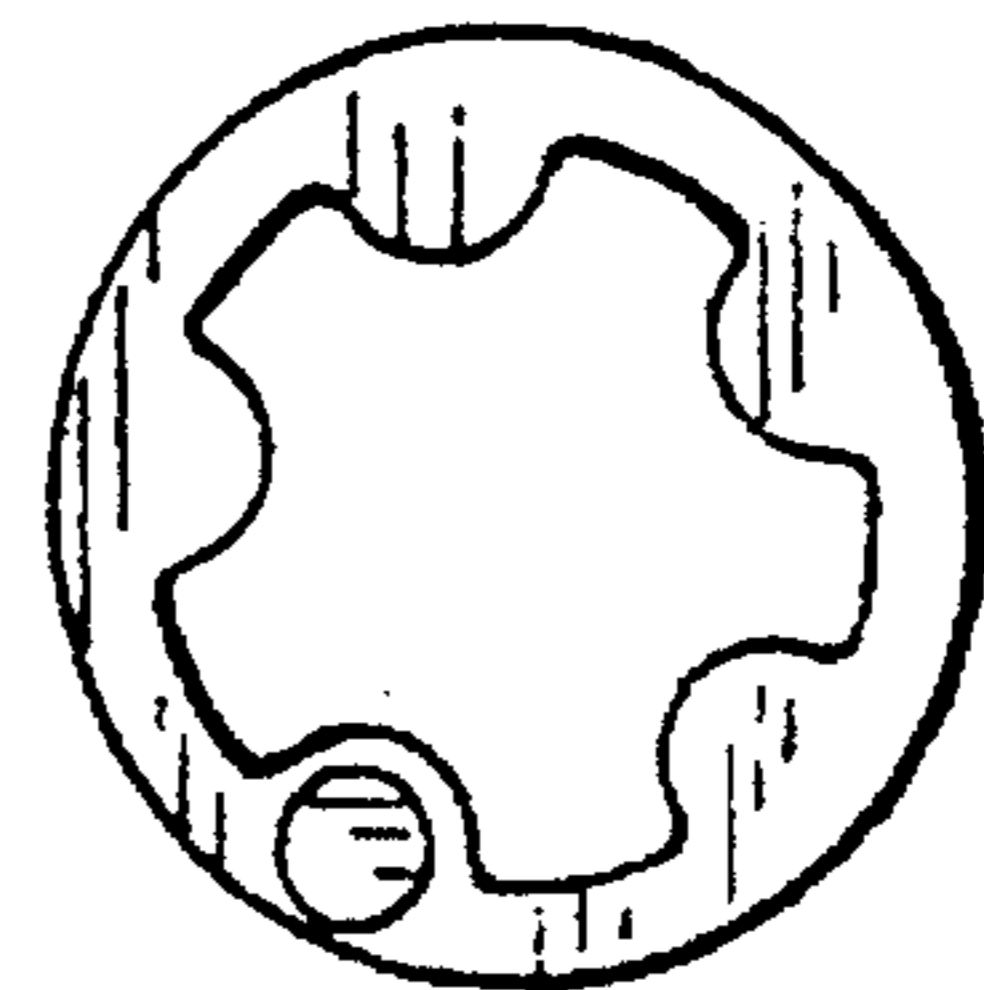
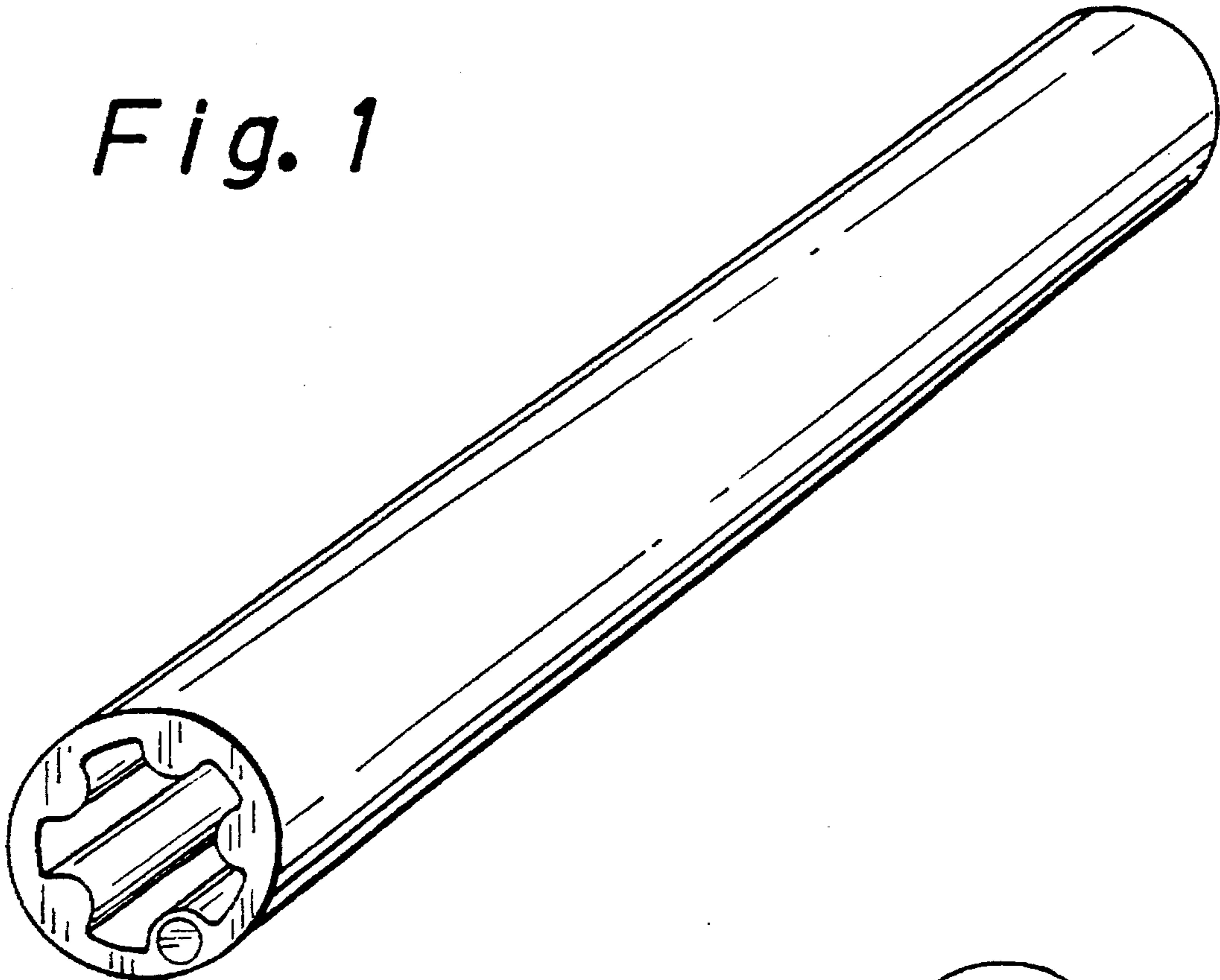


Fig. 2