



US00D375158S

United States Patent [19]

[11] **Patent Number: Des. 375,158**

Milani et al.

[45] **Date of Patent: **Oct. 29, 1996**

[54] **ANESTHESIA MACHINE AND WORK STATION**

FOREIGN PATENT DOCUMENTS

2745308 4/1978 Germany 128/204.18

[75] Inventors: **Francesco Milani, Giubiasco; Carola Bartsch, Bellinzona, both of Switzerland**

OTHER PUBLICATIONS

CAE Advertisement—*Anesthesiology*—Sep. 1995 vol. 83 No. 5—no page No.
Anesthesiology—N. Amer. Dräger Advert. Sep. 1995 vol. 83 No. 5—No page No.
Foregger Catalog—1962—Cover.

[73] Assignee: **Draegerwerk AG, Luebeck, Germany**

[**] Term: **14 Years**

Primary Examiner—Cathy Anne MacCormac
Assistant Examiner—Frank Martinez
Attorney, Agent, or Firm—Caesar, Rivise, Bernstein, Cohen & Pokotilow, Ltd.

[21] Appl. No.: **34,304**

[22] Filed: **Feb. 1, 1995**

[30] **Foreign Application Priority Data**

Sep. 7, 1994 [DE] Germany M 9407 107.1

[52] **U.S. Cl.** **D24/110**

[58] **Field of Search** D24/110; 128/910, 128/914, 205.13, 205.15, 204.18, 204.23, 205.11, 205.12, DIG. 13

[57] **CLAIM**

The ornamental design for an anesthesia machine and work station, as shown and described.

DESCRIPTION

FIG. 1 is a front elevational view of an anesthesia machine and work station, showing our new design; FIG. 2 is a right side elevational view thereof; FIG. 3 is a left side elevational view thereof; FIG. 4 is a rear elevational view thereof; FIG. 5 is a top plan view thereof; and, FIG. 6 is a bottom plan view thereof.

[56] **References Cited**

U.S. PATENT DOCUMENTS

D. 248,405	7/1978	Leong	D24/111
D. 312,307	11/1990	Leibson et al.	D24/111 X
D. 352,106	11/1994	Fanney et al.	D24/108 X
978,728	12/1910	Frink	128/204.23
2,041,406	5/1936	Foregger	128/205.12
2,216,183	10/1940	Connell	128/205.12
5,207,642	5/1993	Orkin et al.	128/DIG. 13 X

1 Claim, 6 Drawing Sheets

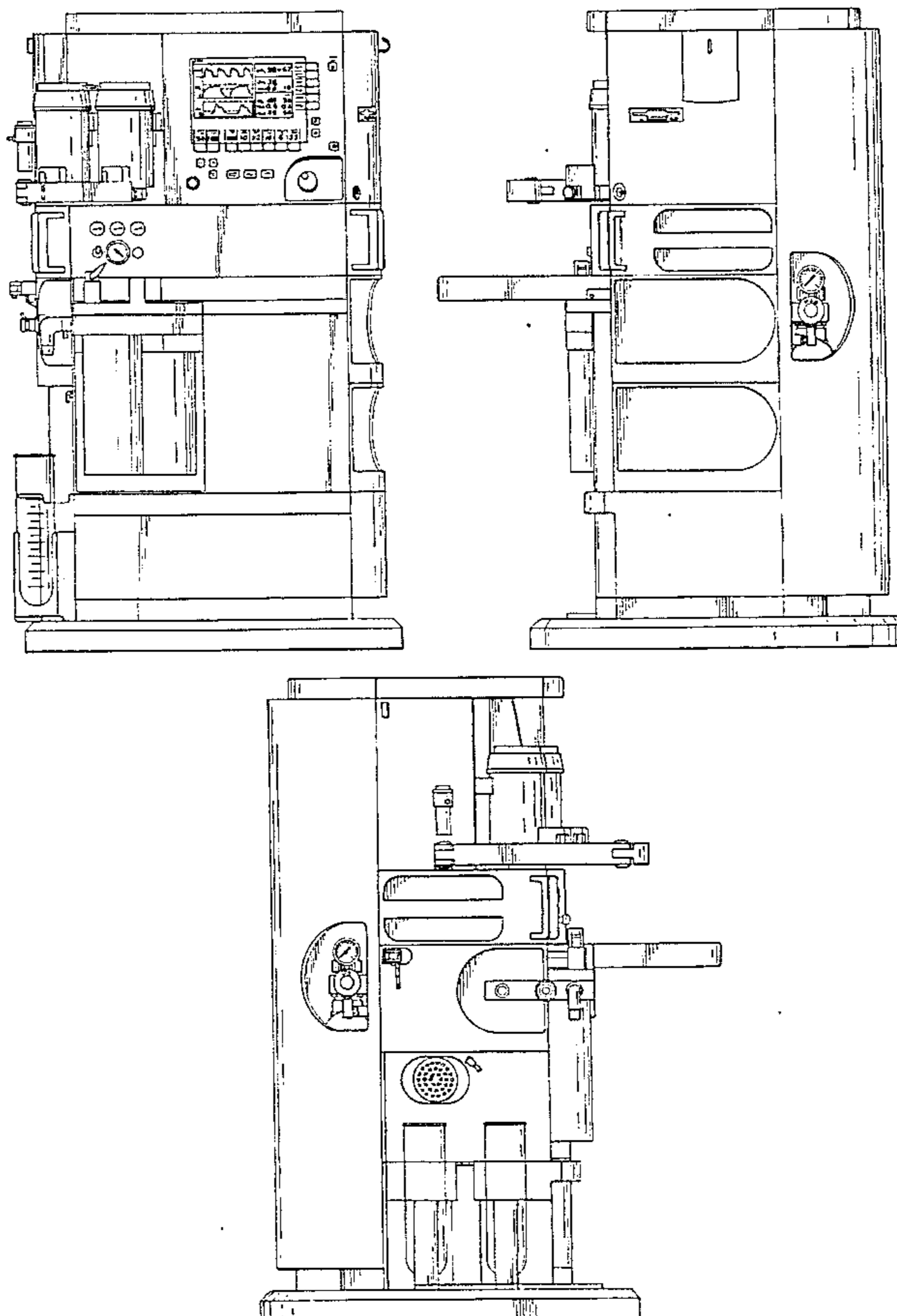


FIG. 1

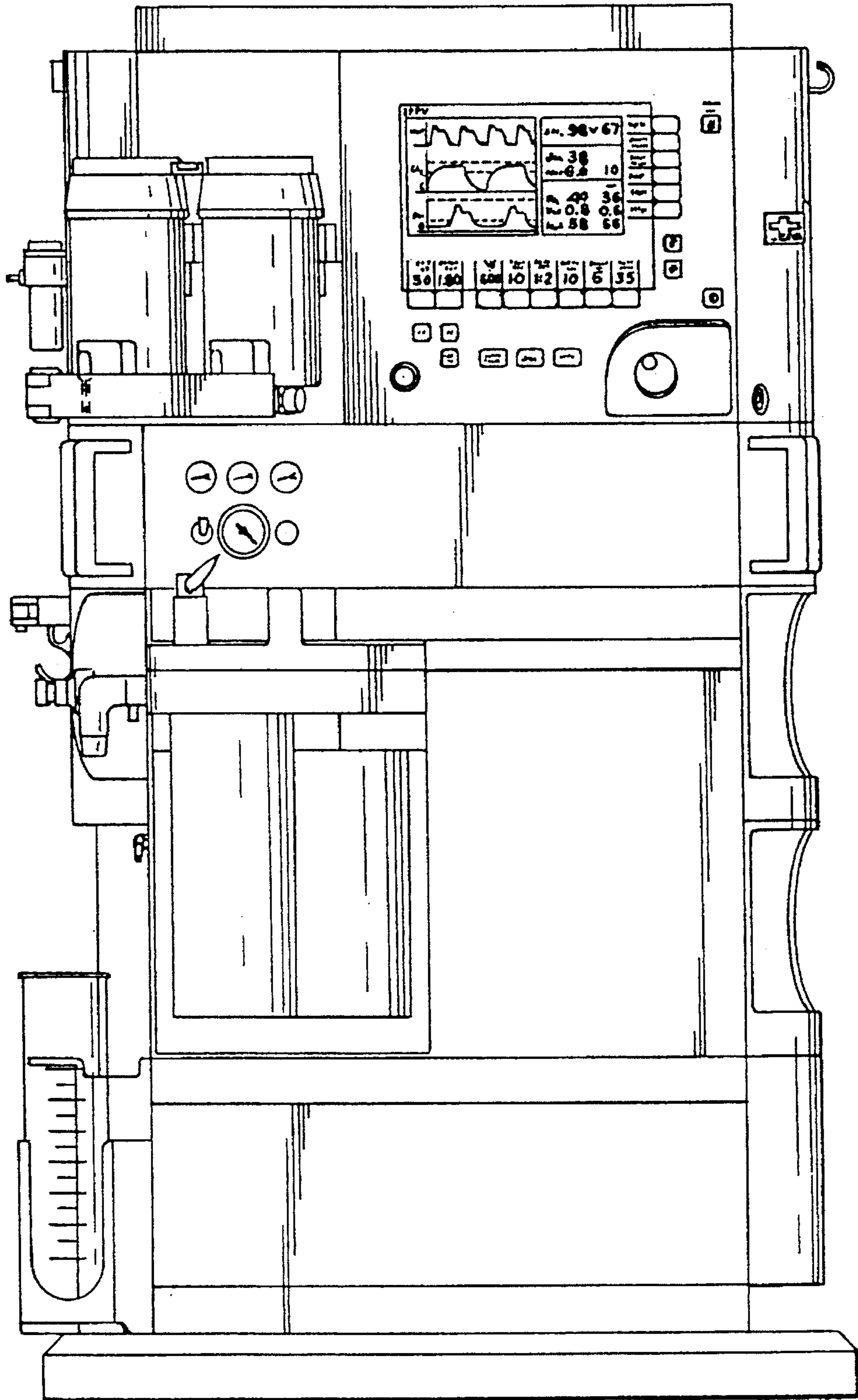


FIG. 2

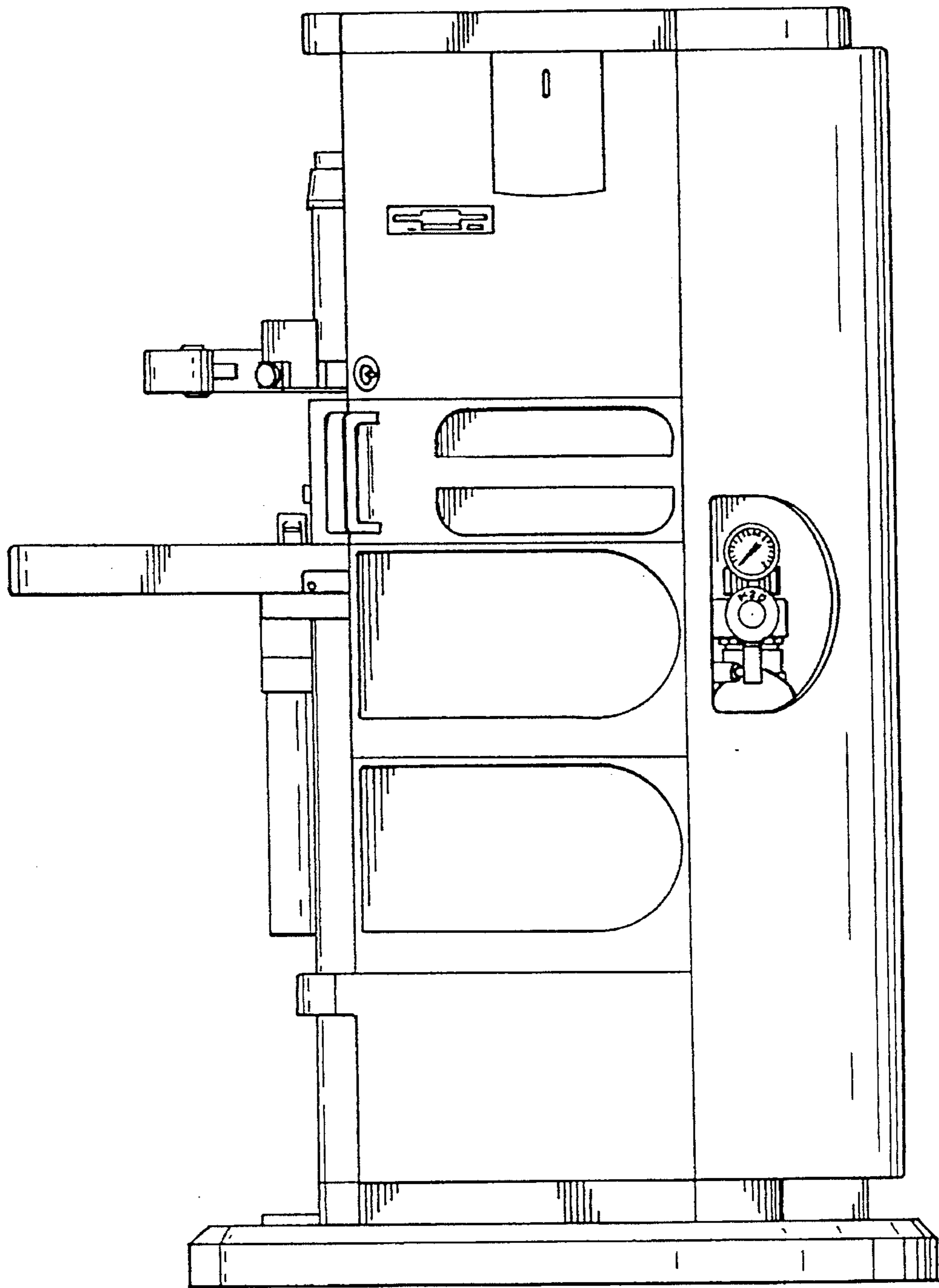


FIG. 3

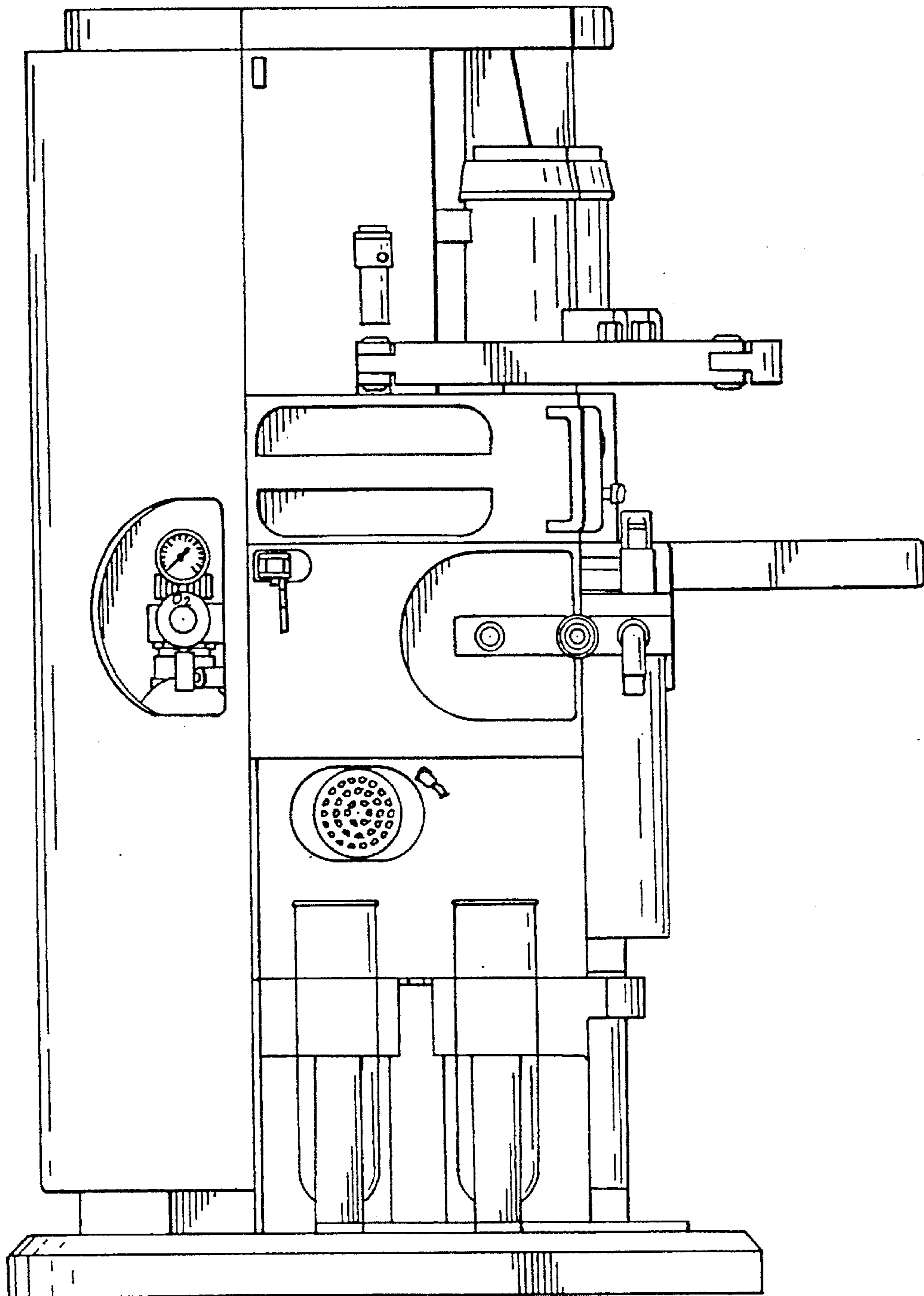


FIG. 4

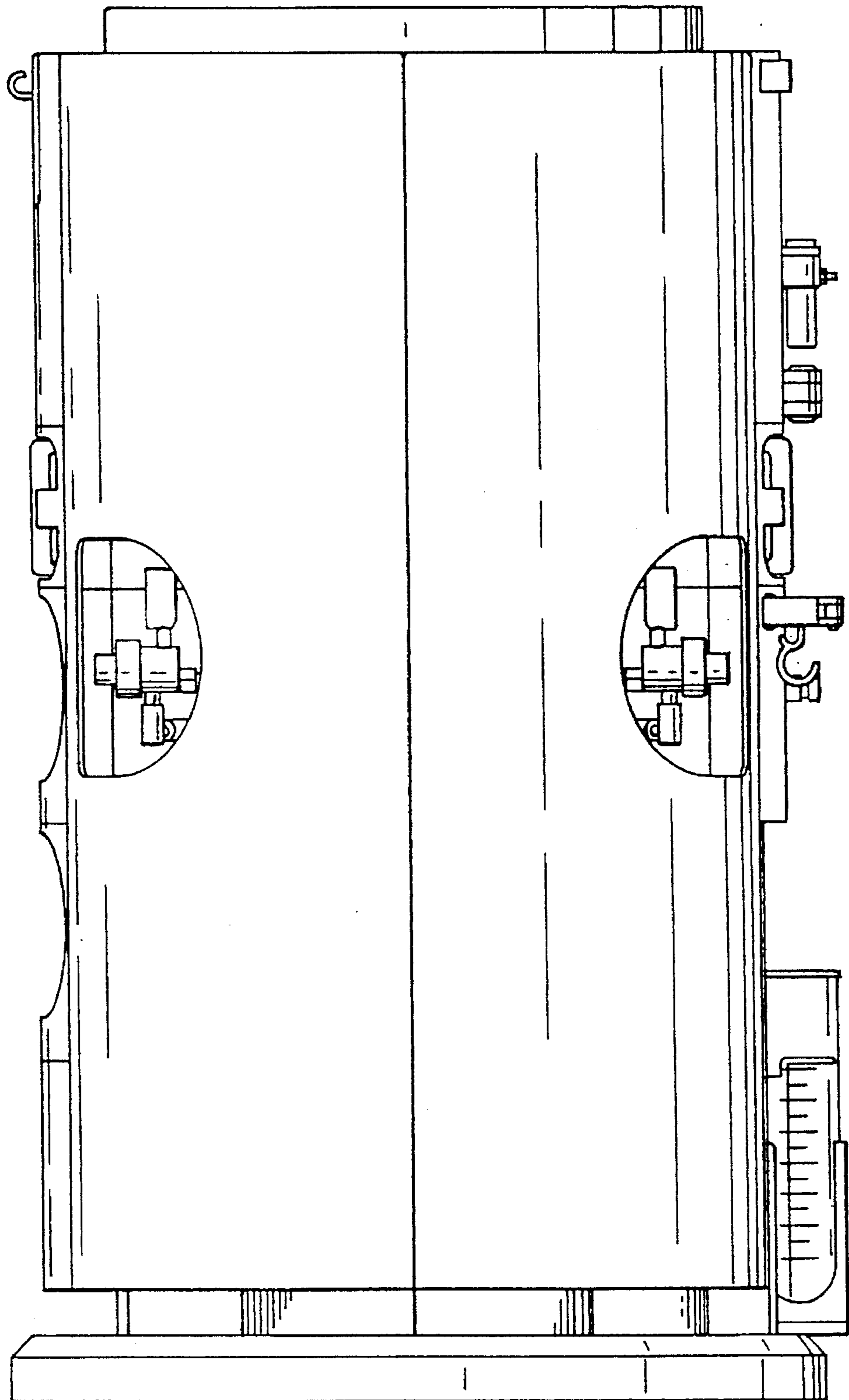


FIG. 5

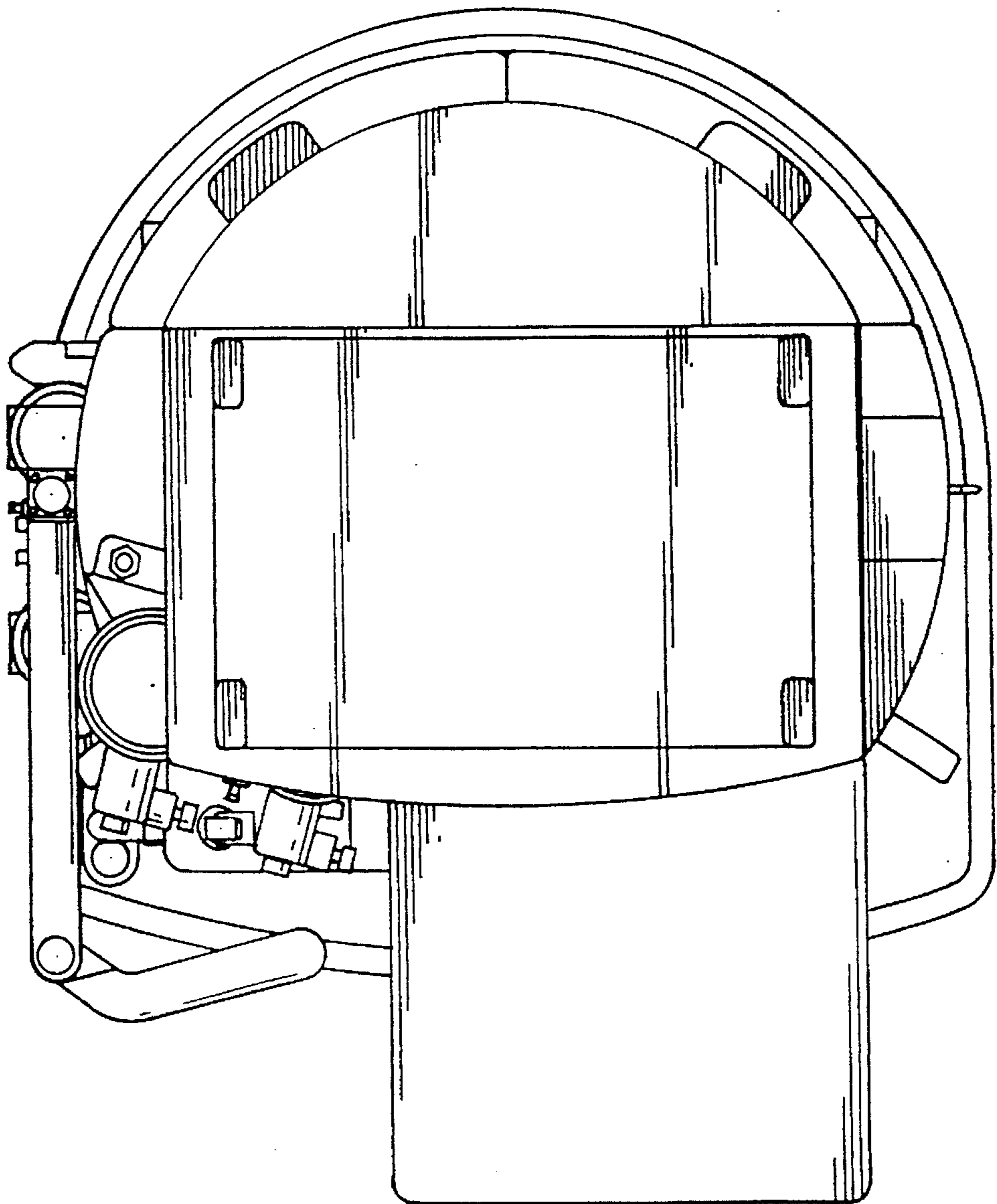


FIG. 6

