



US00D375157S

United States Patent [19]

[11] **Patent Number: Des. 375,157**

Kramer et al.

[45] **Date of Patent: **Oct. 29, 1996**

[54] **TABLET**

D. 309,506 7/1990 Shurkus D24/103
D. 314,442 2/1991 Shoh et al. D24/101

[75] Inventors: **Kenneth A. Kramer**, Green Lane;
Ashok V. Katdare, Norristown, both of Pa.

OTHER PUBLICATIONS

Physician's Desk Reference, 1990, p. 419 (Triavil).
Physician's Desk Reference, 1990, p. 430 (Dexedrine).
Physician's Desk Reference, 1990, p. 410 (Tofranil).
Physician's Desk Reference, 1990, p. 426 (Atarax).

[73] Assignee: **Merck & Co., Inc.**, Rahway, N.J.

[**] Term: **14 Years**

Primary Examiner—M. H. Tung

Attorney, Agent, or Firm—Joanne M. Giesser; Robert J. North; Melvin Winokur

[21] Appl. No.: **2,841**

[22] Filed: **Dec. 22, 1992**

[52] U.S. Cl. **D24/101**

[57] CLAIM

[58] **Field of Search** D24/100-4; D28/8.1,
D28/8.2; D1/100, 106, 107, 110, 115, 121,
127-8, 130, 199; D21/148, 186; D30/160;
424/451, 457, 464, 468-70, 472, 474

The ornamental design for tablet, as shown and described.

DESCRIPTION

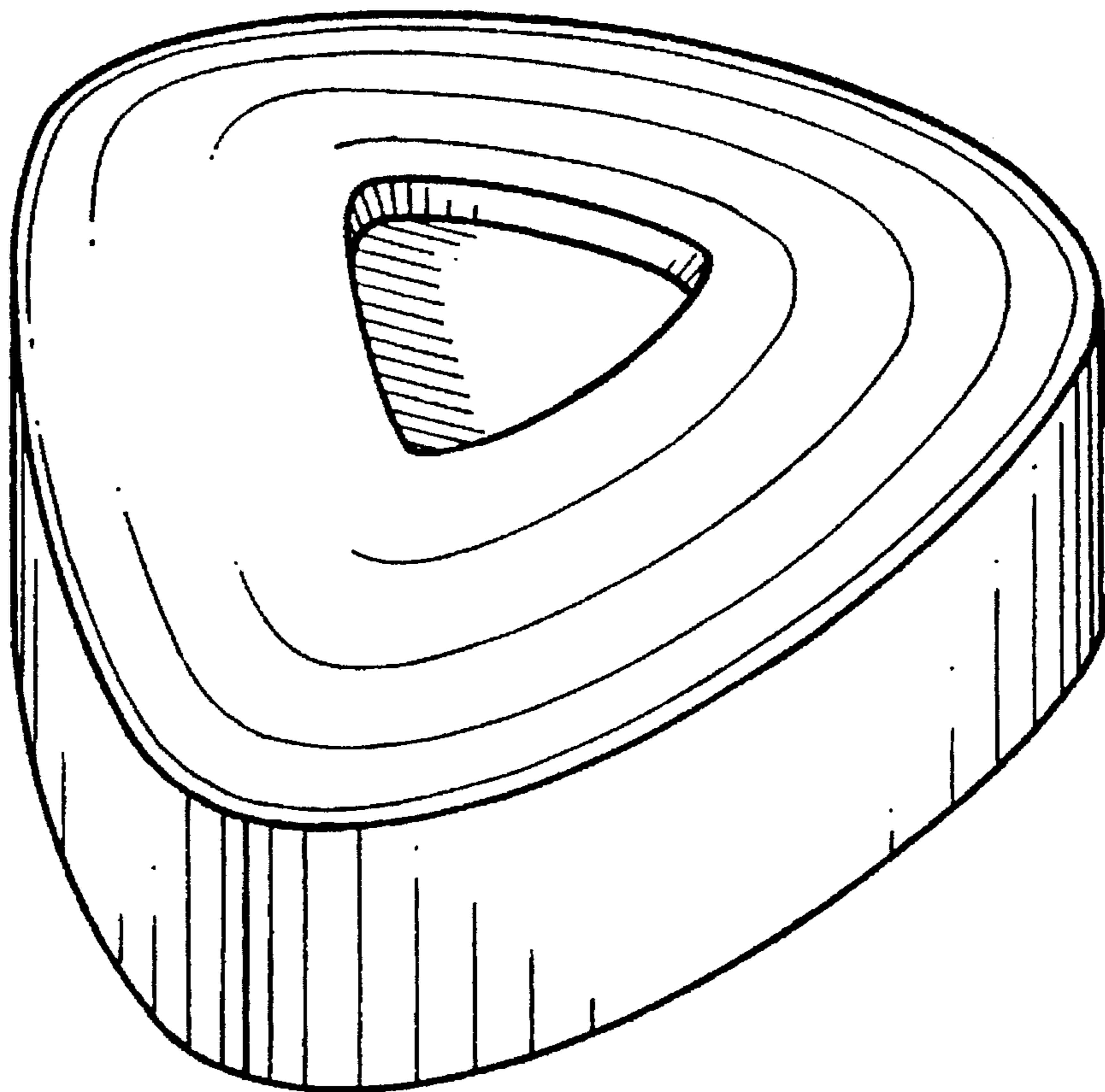
[56] References Cited

U.S. PATENT DOCUMENTS

47,083 3/1915 Swaab, Jr. D1/127
D. 187,372 3/1960 Dailey D24/103 X
D. 213,873 4/1969 Bryan D24/101
D. 269,128 5/1983 Hiscock D24/101
D. 285,363 8/1986 Tovey D24/101
D. 286,085 10/1986 Tovey D24/101

FIG. 1 is a perspective view of a tablet showing our new design, on an enlarged scale;
FIG. 2 is a rear elevation view thereof;
FIG. 3 is a top plan view thereof, the bottom view beng a mirror image thereof;
FIG. 4 is a right side elevation view, the left side elevation view being a mirror image thereof; and,
FIG. 5 is a front elevational view thereof.

1 Claim, 2 Drawing Sheets



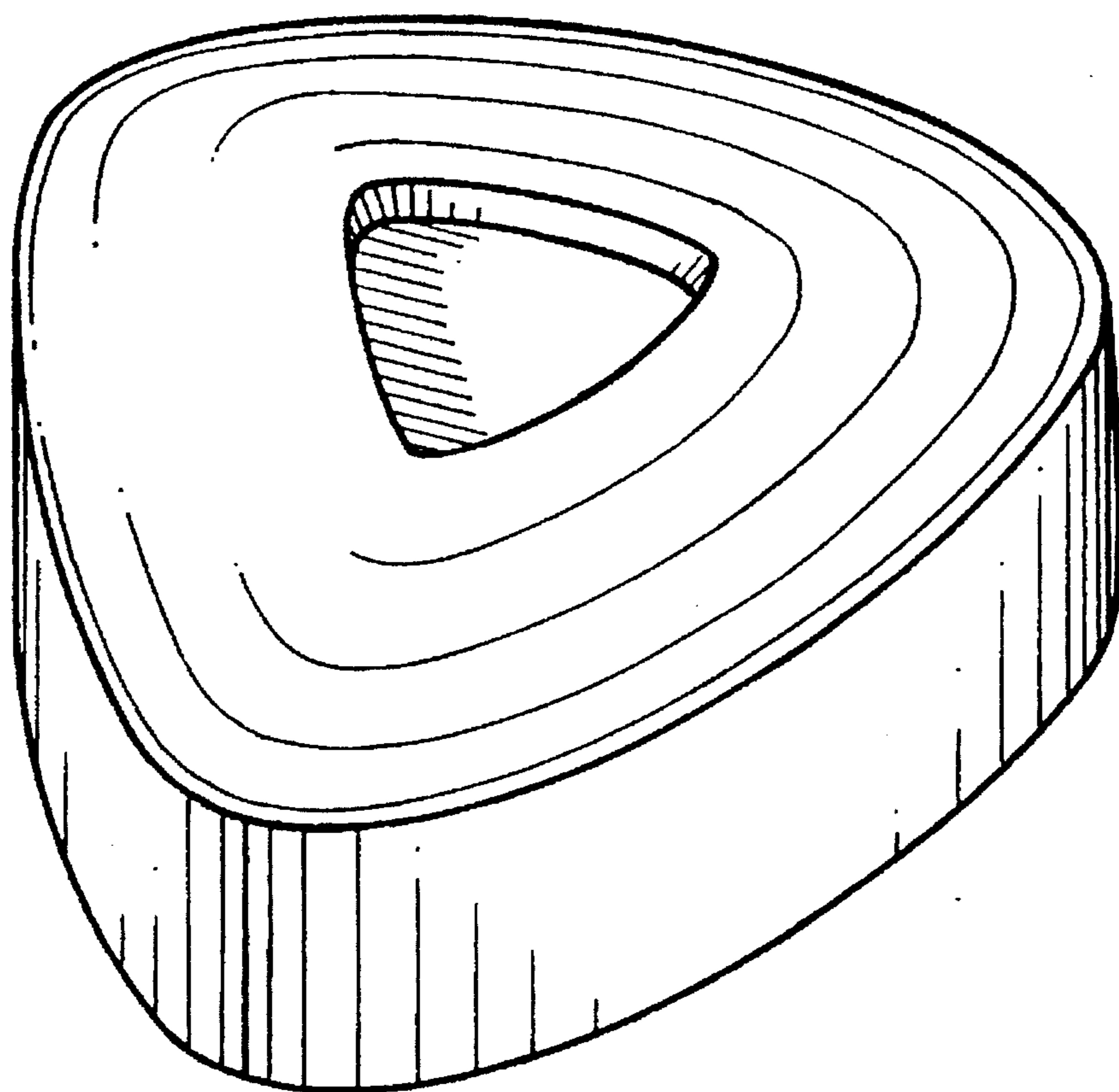


FIG. 1

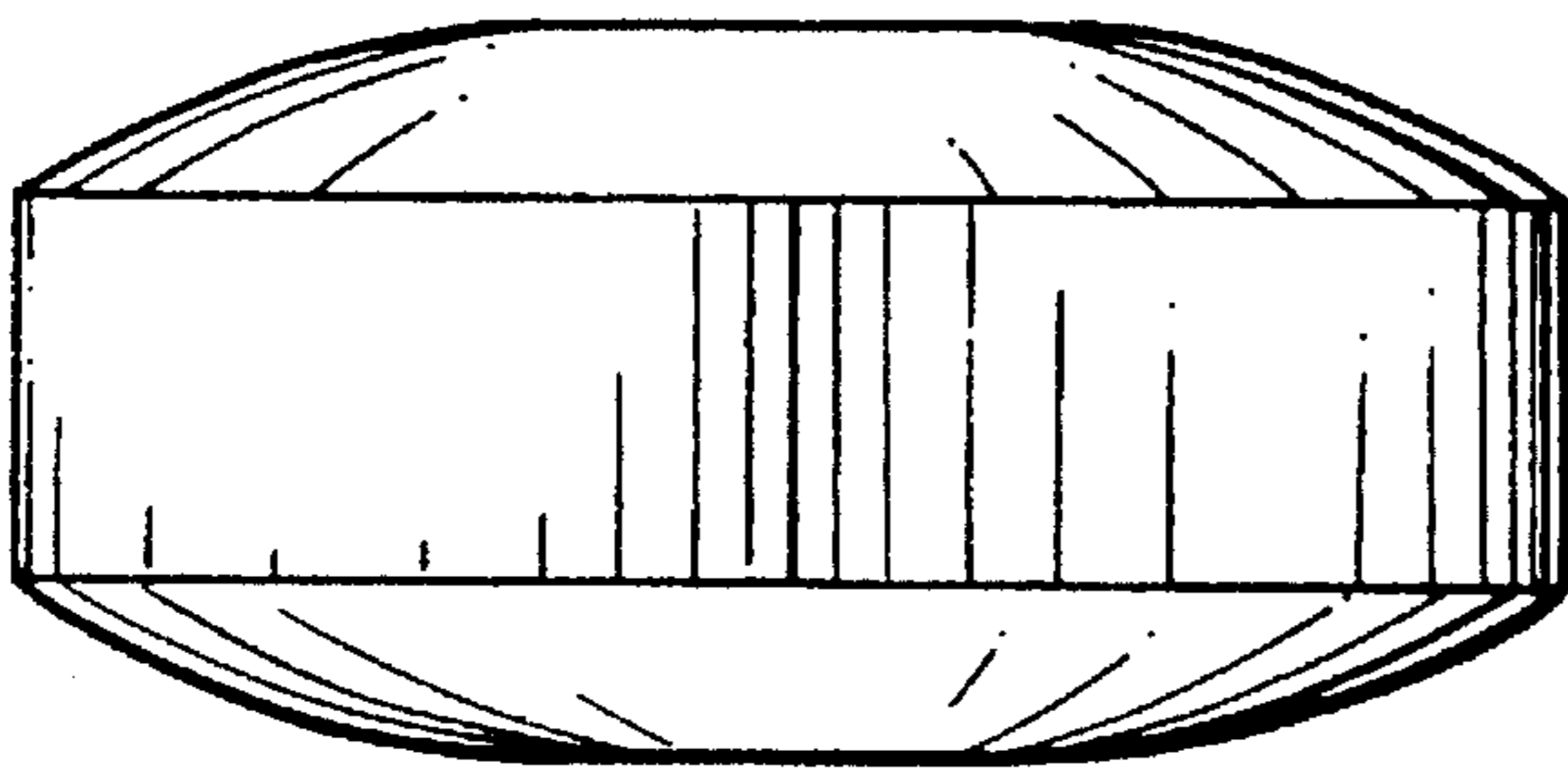


FIG. 2

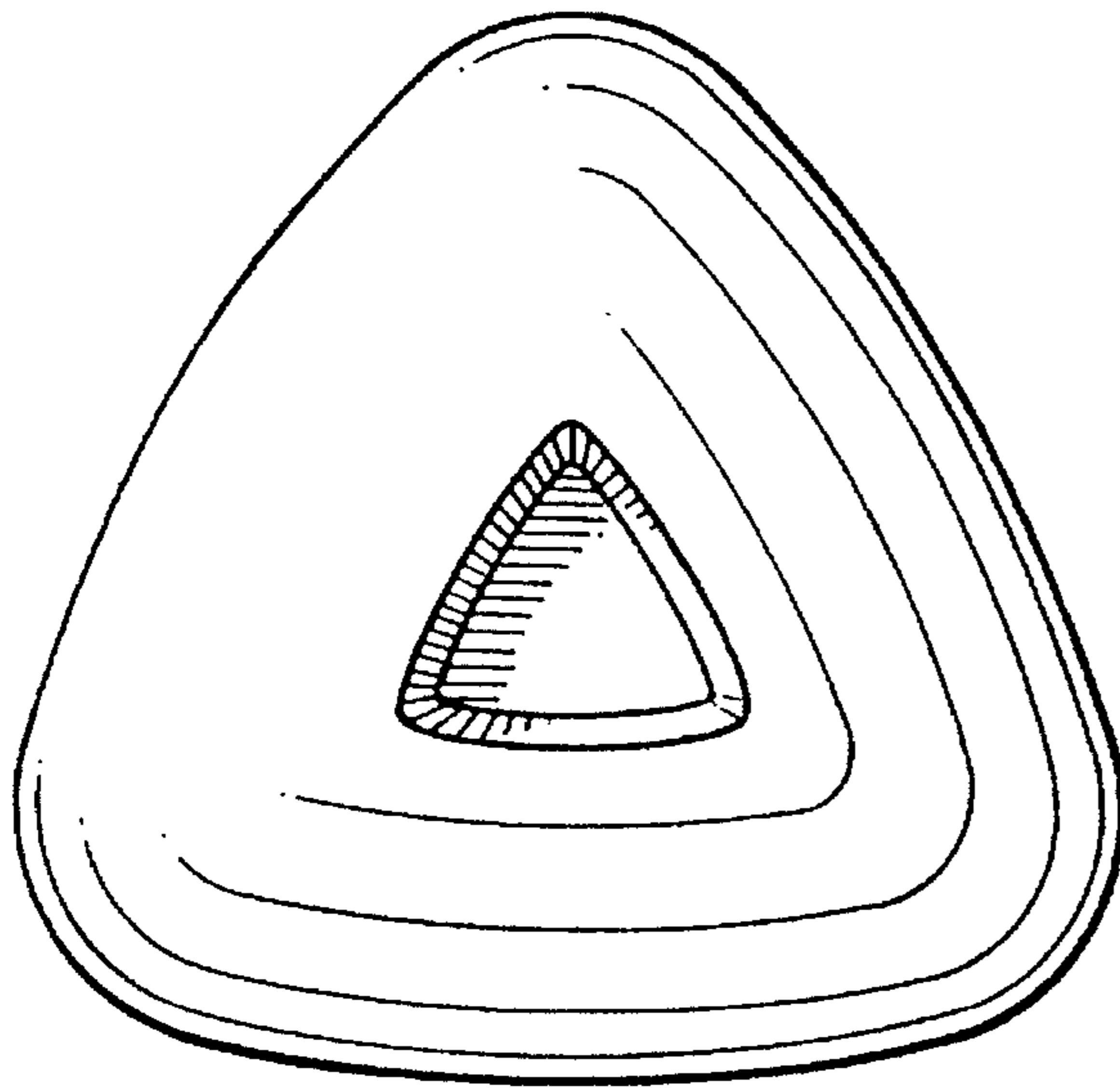


FIG. 3

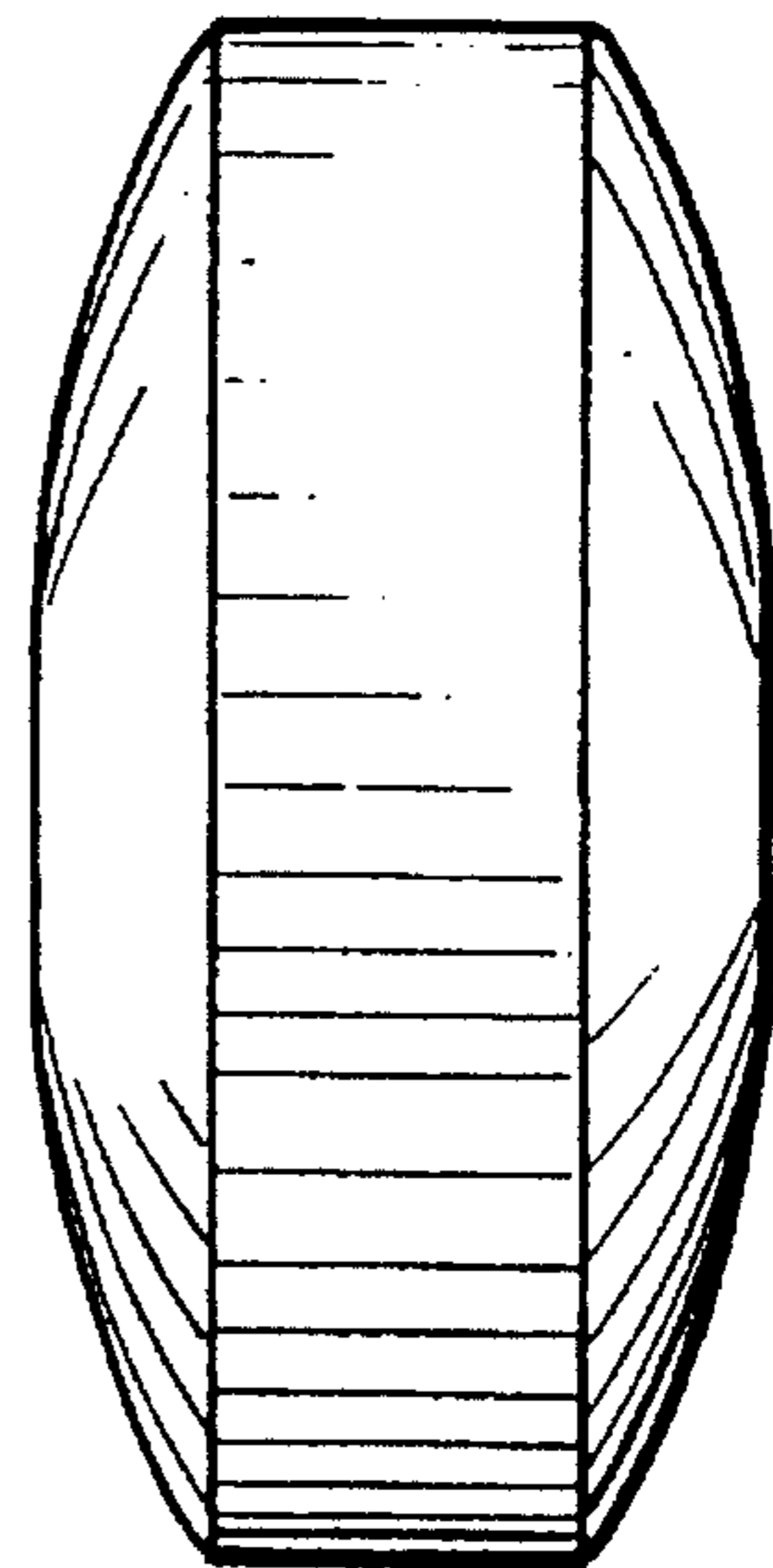


FIG. 4

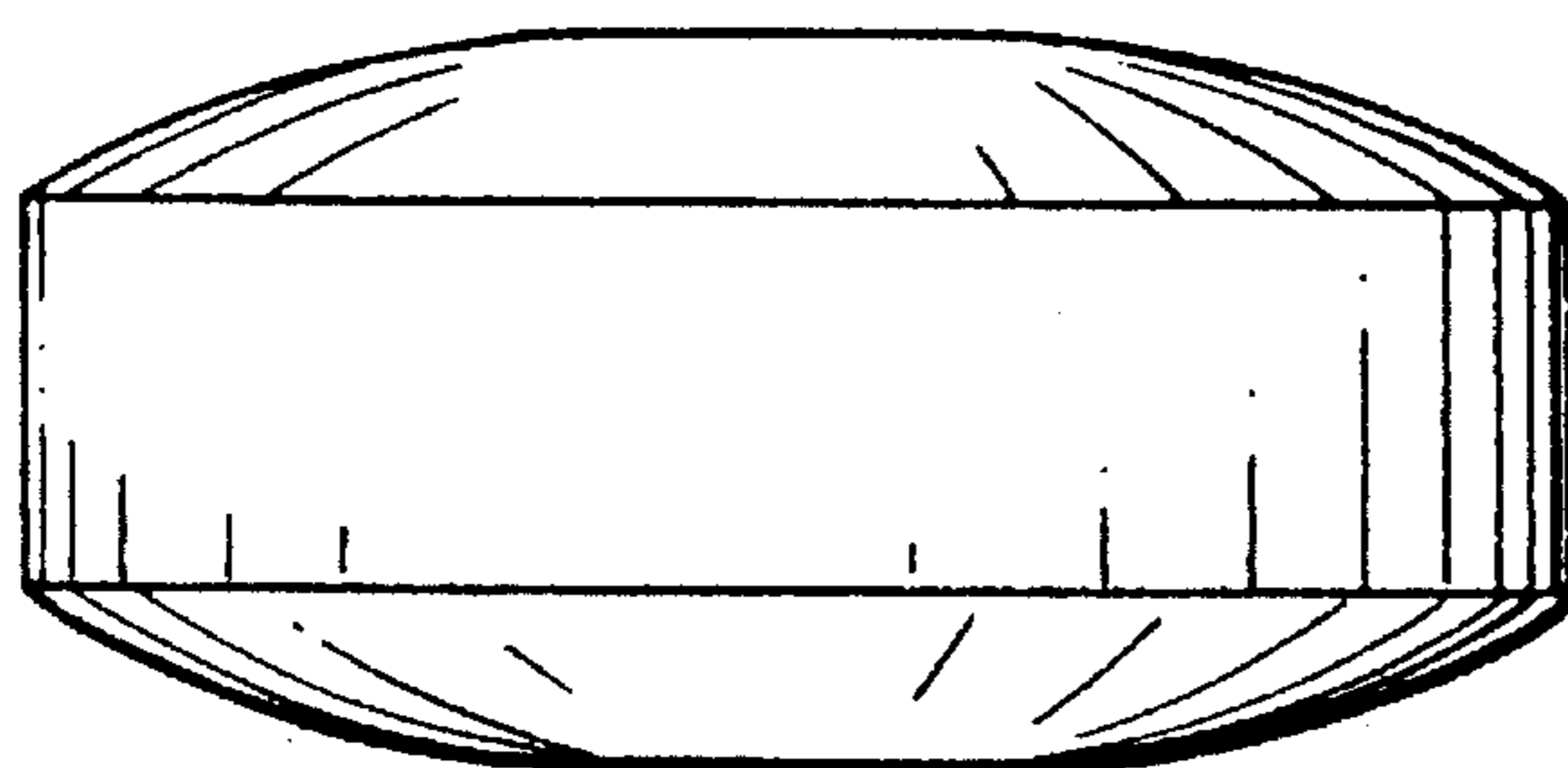


FIG. 5