



US00D375156S

# United States Patent [19]

[11] Patent Number: **Des. 375,156**

**Tseng**

[45] Date of Patent: **\*\*Oct. 29, 1996**

[54] **COMBINED CEILING FAN AND LIGHT**

*Primary Examiner*—Lisa P. Lichtenstein

[76] Inventor: **Tsung-Ming Tseng**, No. 11-2, Talun Rd., Talun Tsun, Tatsun Hsiang, Changhua Hsien, Taiwan

*Attorney, Agent, or Firm*—Morton J. Rosenberg; David I. Klein

[\*\*] Term: **14 Years**

[57] **CLAIM**

The ornamental design for a combined ceiling fan and light, as shown.

[21] Appl. No.: **42,732**

**DESCRIPTION**

[22] Filed: **Aug. 9, 1995**

[52] U.S. Cl. .... **D23/377; D23/379; D23/385**

[58] Field of Search ..... **D23/377, 379, D23/385, 411, 413; 416/5; 392/364; 362/96; D26/73, 72, 51, 59, 81-86, 88**

FIG. 1 is the perspective view of a combined ceiling fan and light showing my new design;

FIG. 2 is the front elevational view thereof;

FIG. 3 is the rear elevational view thereof;

FIG. 4 is the left side elevational view thereof;

FIG. 5 is the right side elevational view thereof;

FIG. 6 is the top plan view thereof; and,

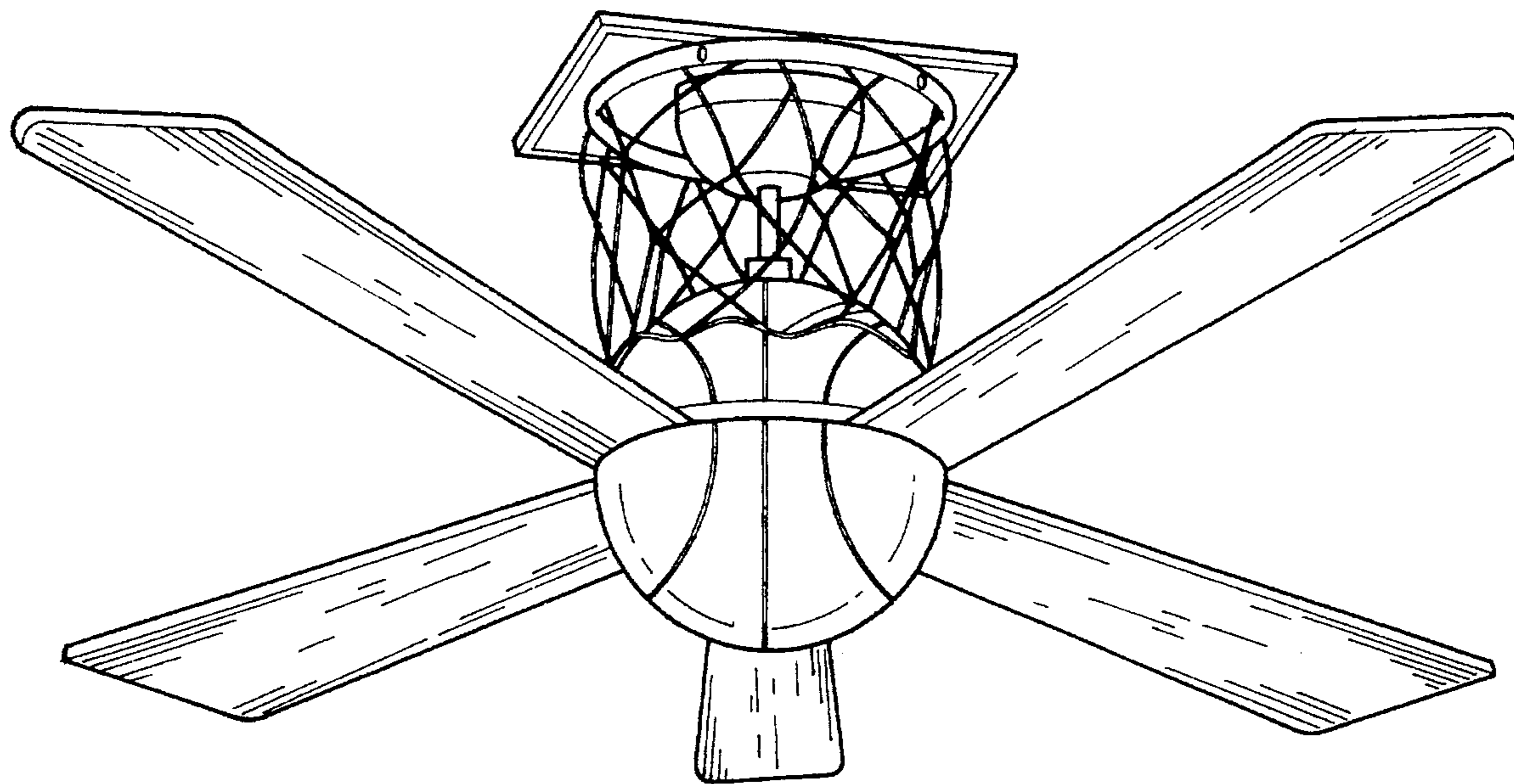
FIG. 7 is the bottom plan view thereof.

[56] **References Cited**

**U.S. PATENT DOCUMENTS**

- D. 212,441 10/1968 Espinosa ..... D26/73
- D. 342,311 12/1993 Rezek ..... D23/377

**1 Claim, 7 Drawing Sheets**



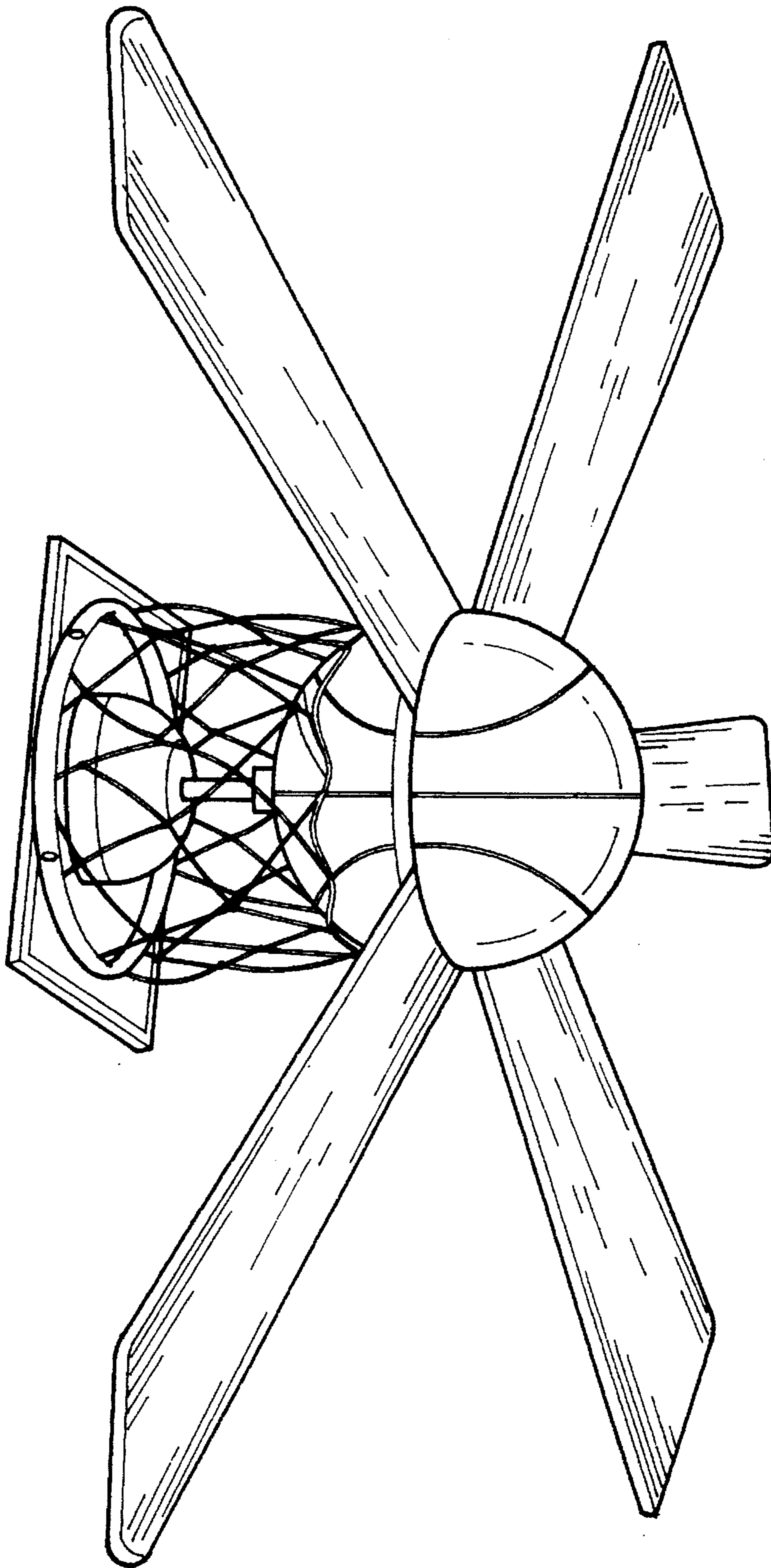


FIG. 1

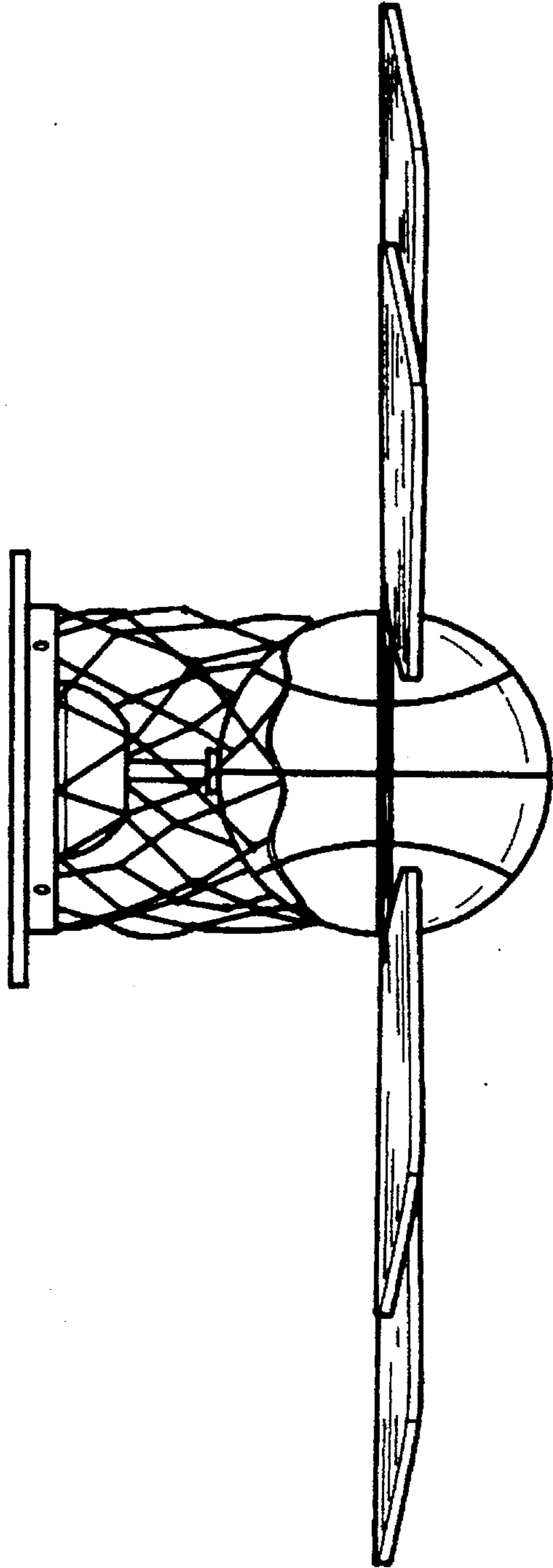


FIG. 2

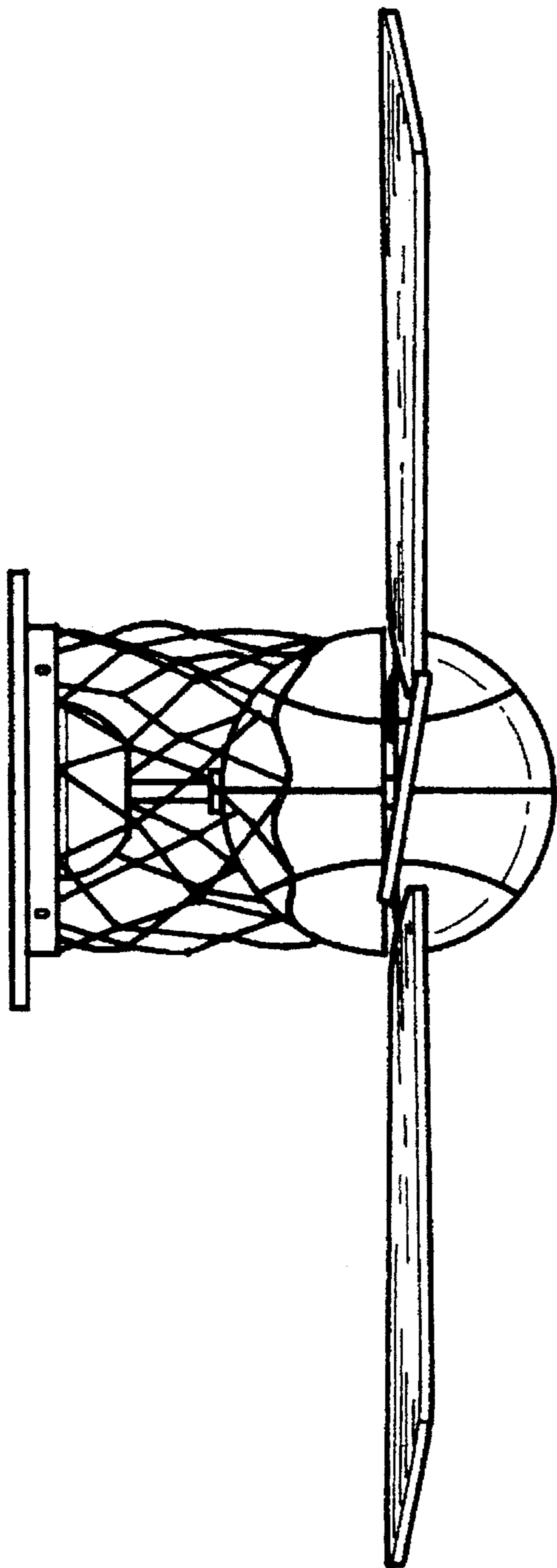


FIG. 3

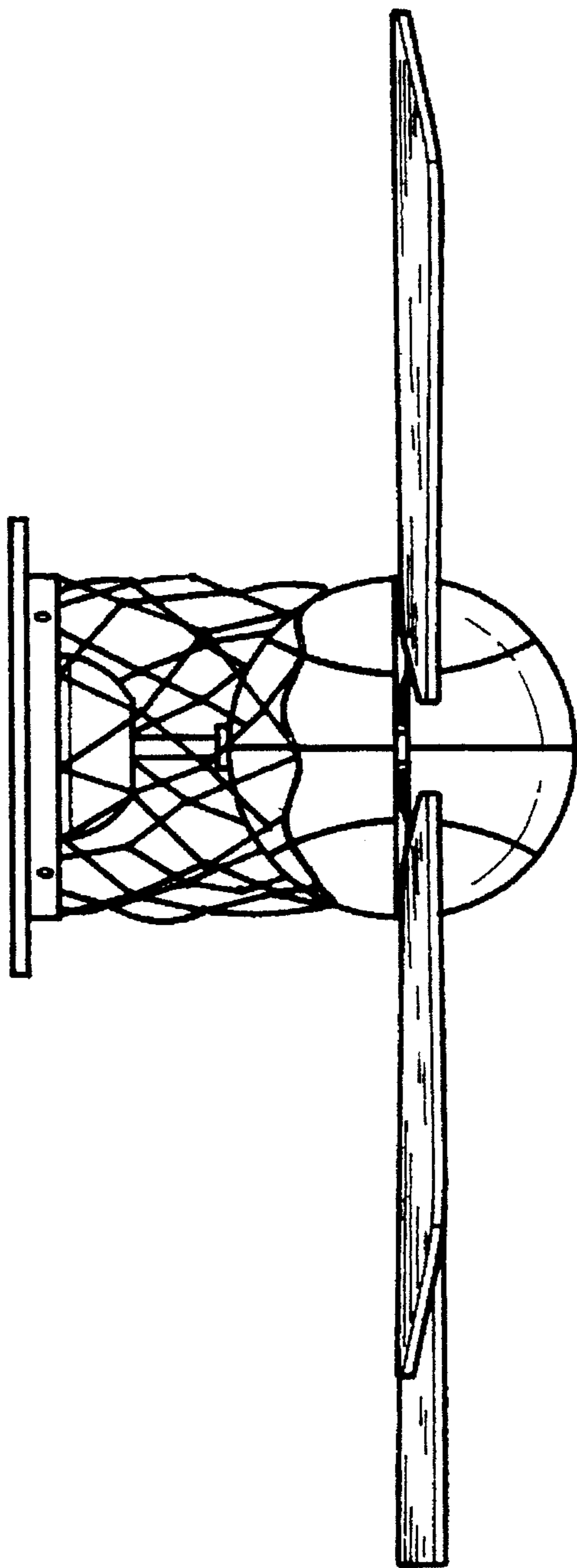


FIG. 4

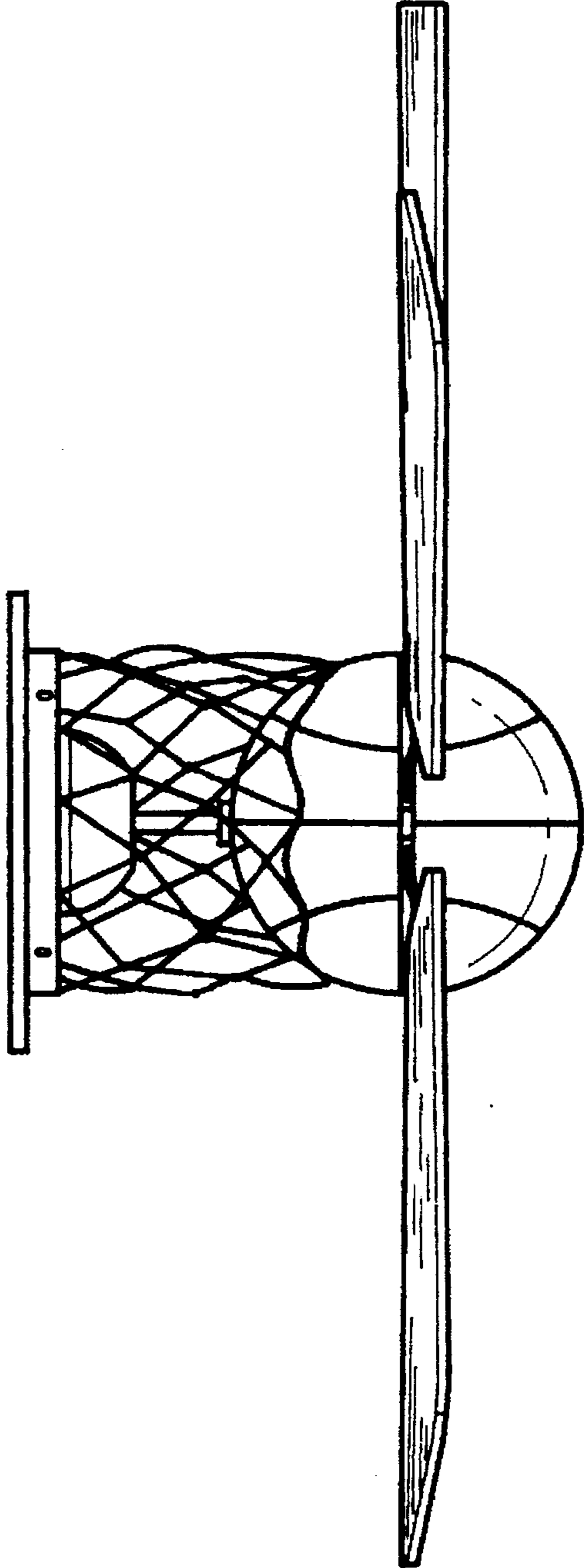


FIG. 5

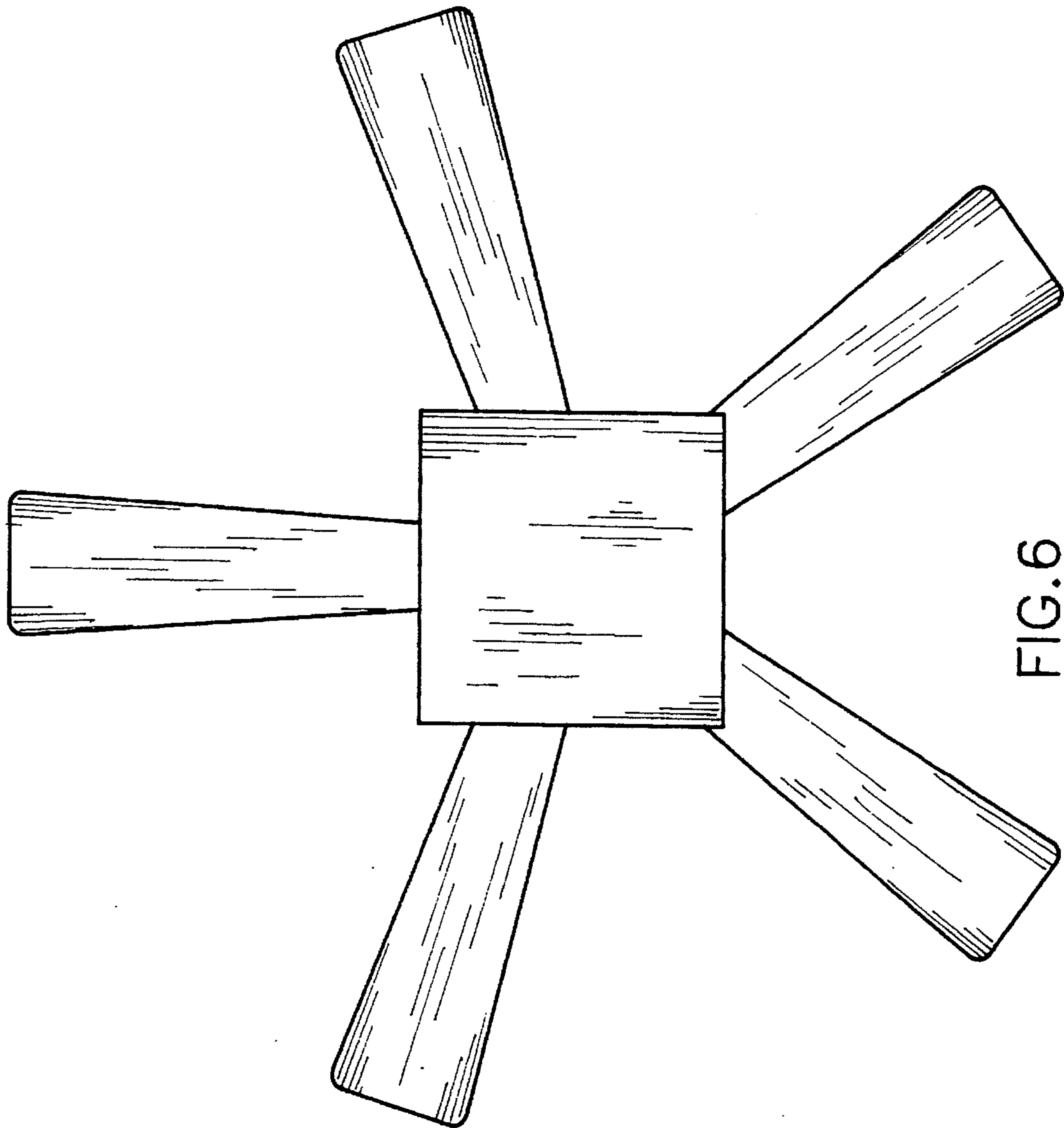


FIG. 6

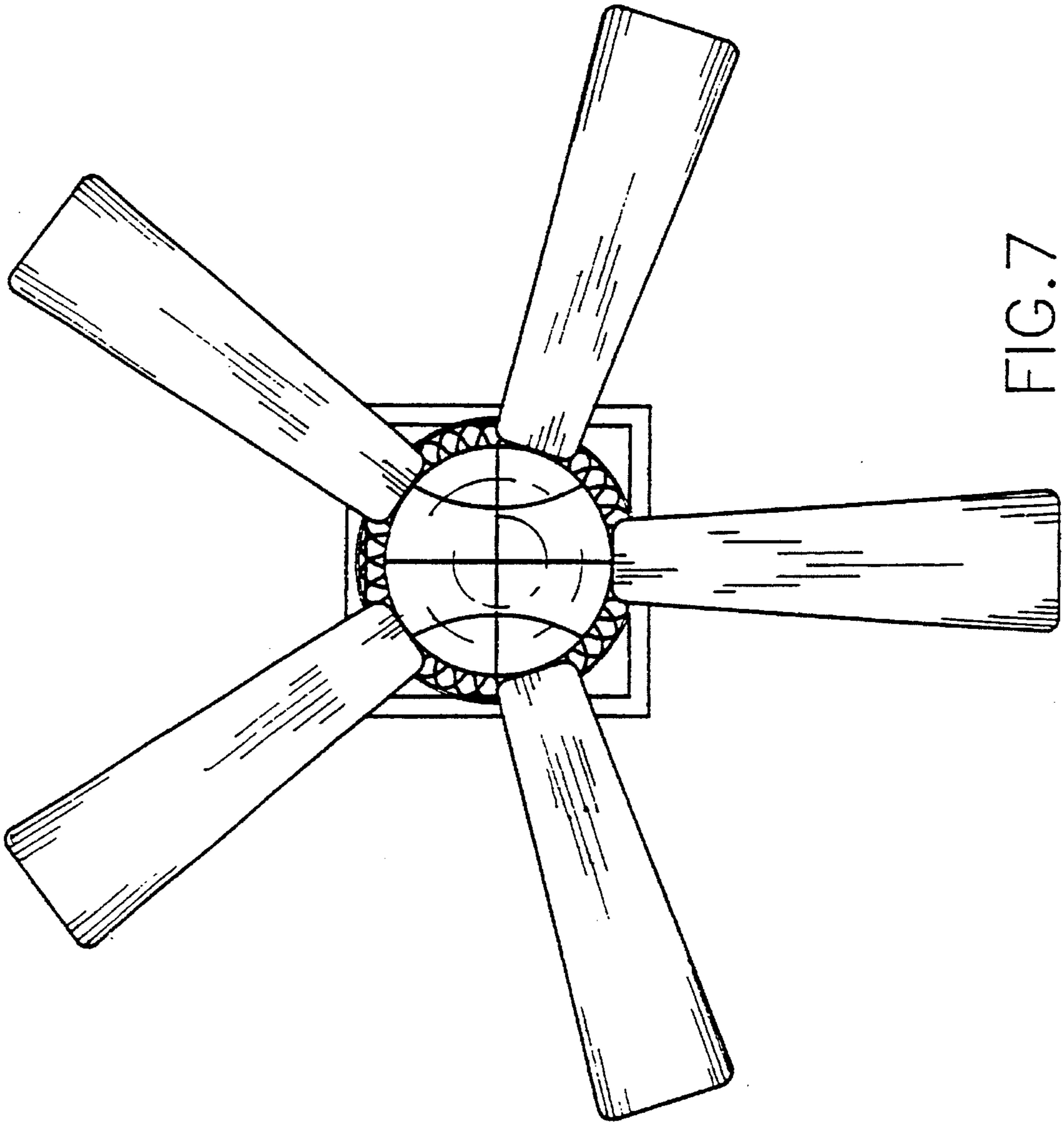


FIG. 7