



US00D375155S

United States Patent [19]

Radke

[11] Patent Number: **Des. 375,155**

[45] Date of Patent: ****Oct. 29, 1996**

[54] **NATURAL GAS FIREPLACE**

5,139,011 8/1992 Moon 126/546 X

[75] Inventor: **George F. Radke**, Tsawwassen, Canada

Primary Examiner—B. J. Bullock

Assistant Examiner—Linda Brooks

[73] Assignee: **Citadel Innovations Inc.**, Burnaby, Canada

Attorney, Agent, or Firm—Seed and Berry LLP

[**] Term: **14 Years**

[57] **CLAIM**

The ornamental design for a natural gas fireplace, as shown and described.

[21] Appl. No.: **34,404**

[22] Filed: **Feb. 3, 1995**

DESCRIPTION

[52] U.S. Cl. **D23/344**

[58] **Field of Search** D23/342, 343, D23/344, 345, 346, 348, 349, 347, 350; 126/540, 544, 547, 505, 546, 552, 553, 12, 541, 502, 512, 524, 525, 526, 528

FIG. 1 is a front perspective view of a natural gas fireplace showing my new design;

FIG. 2 is a front elevational thereof;

FIG. 3 is a rear elevation thereof;

FIG. 4 is a left side elevation thereof the right side being a mirror image thereof;

FIG. 5 is a top plan thereof; and,

FIG. 6 is a bottom plan thereof.

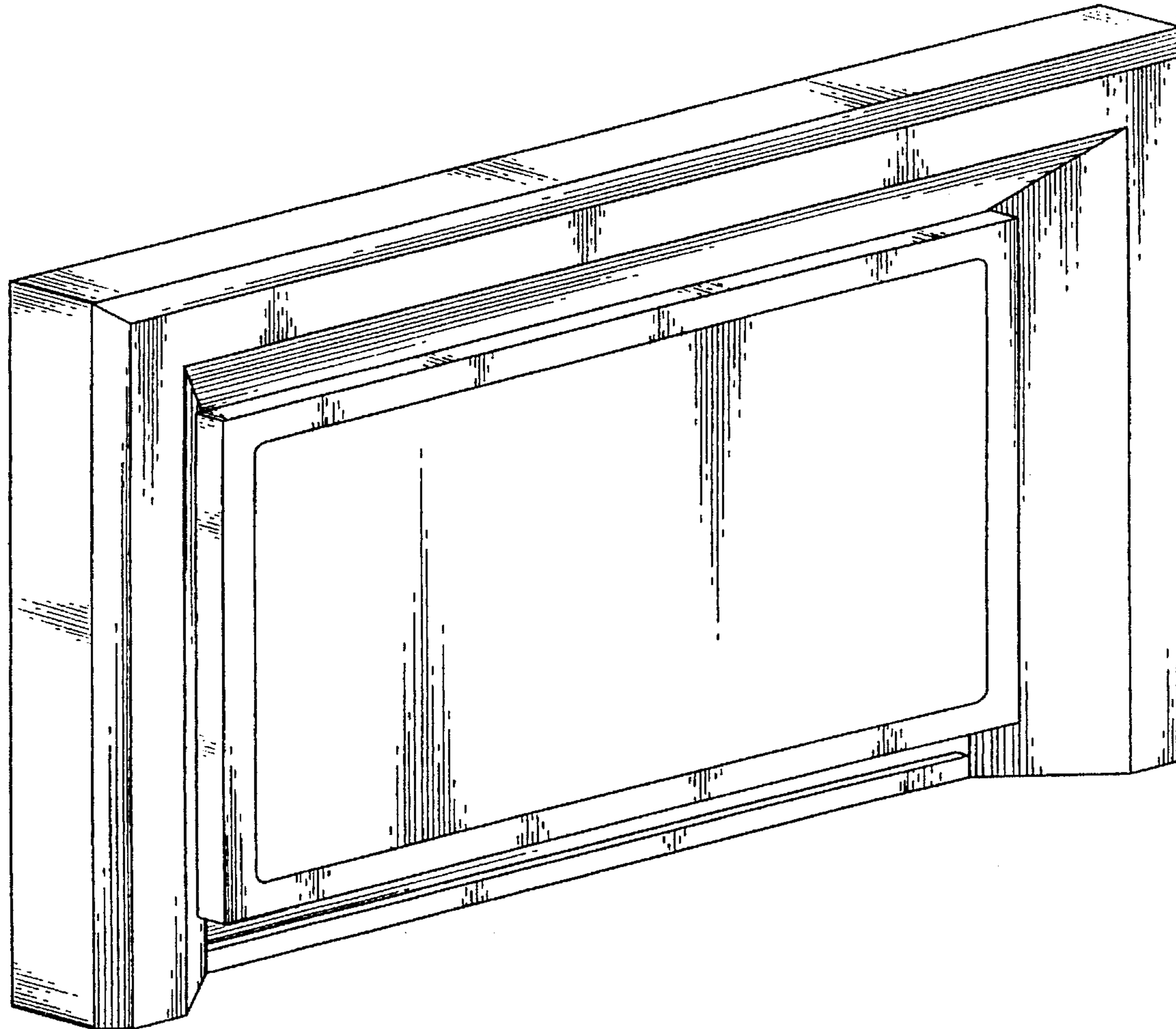
[56] **References Cited**

U.S. PATENT DOCUMENTS

D. 300,654 4/1989 Watt D23/345

D. 348,726 7/1994 Wilson D23/344

1 Claim, 3 Drawing Sheets



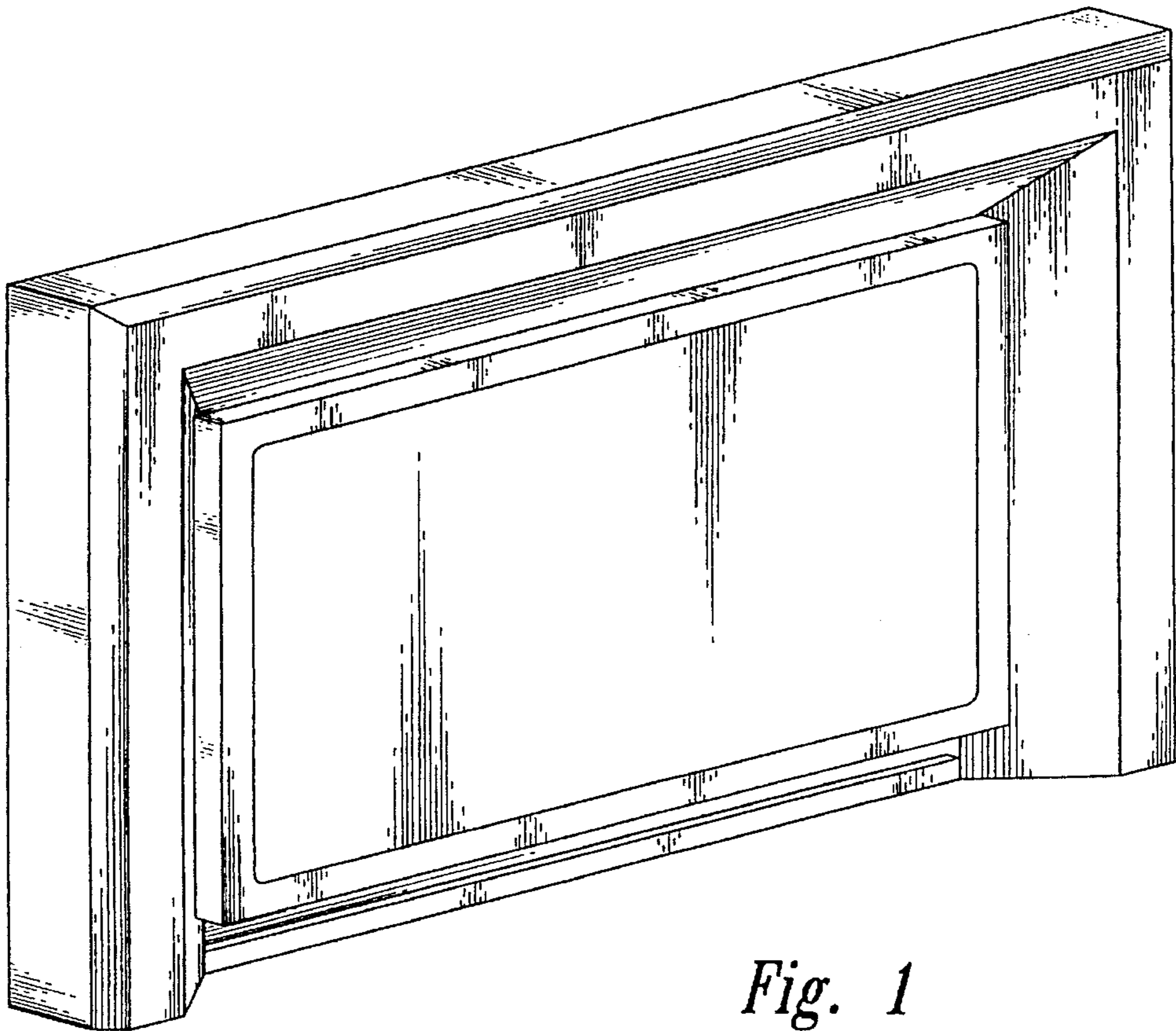


Fig. 1

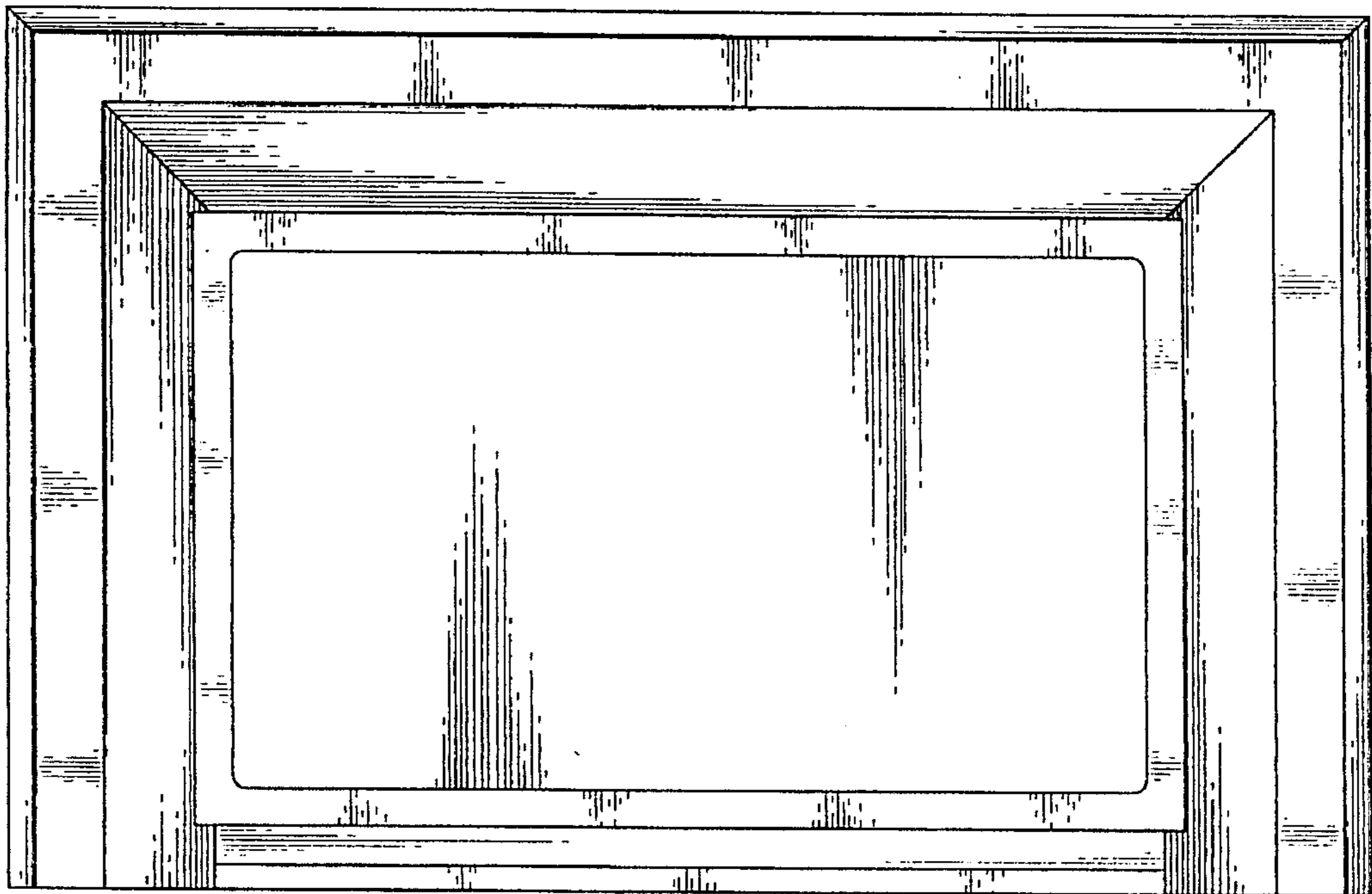


Fig. 2

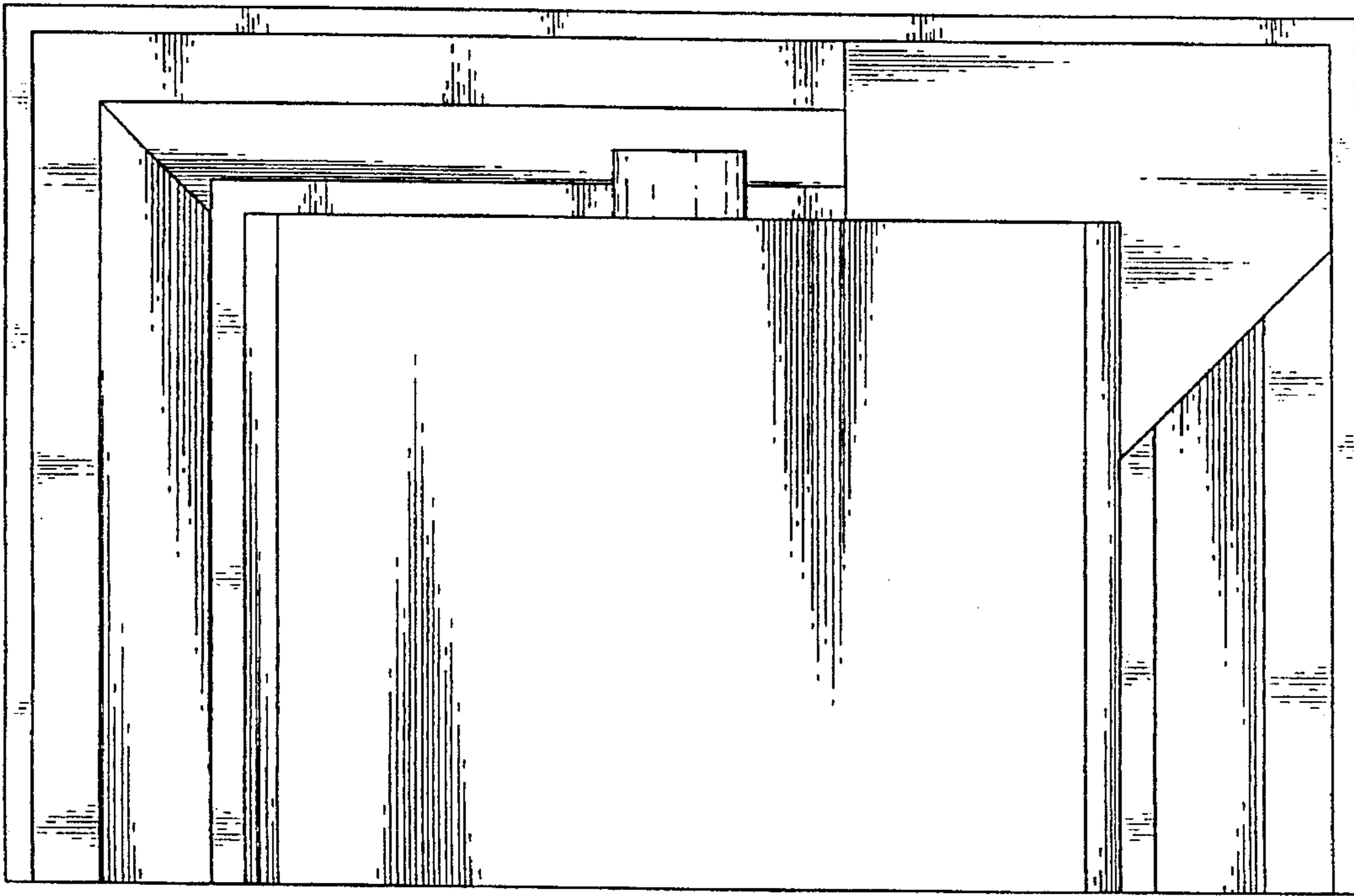


Fig. 3

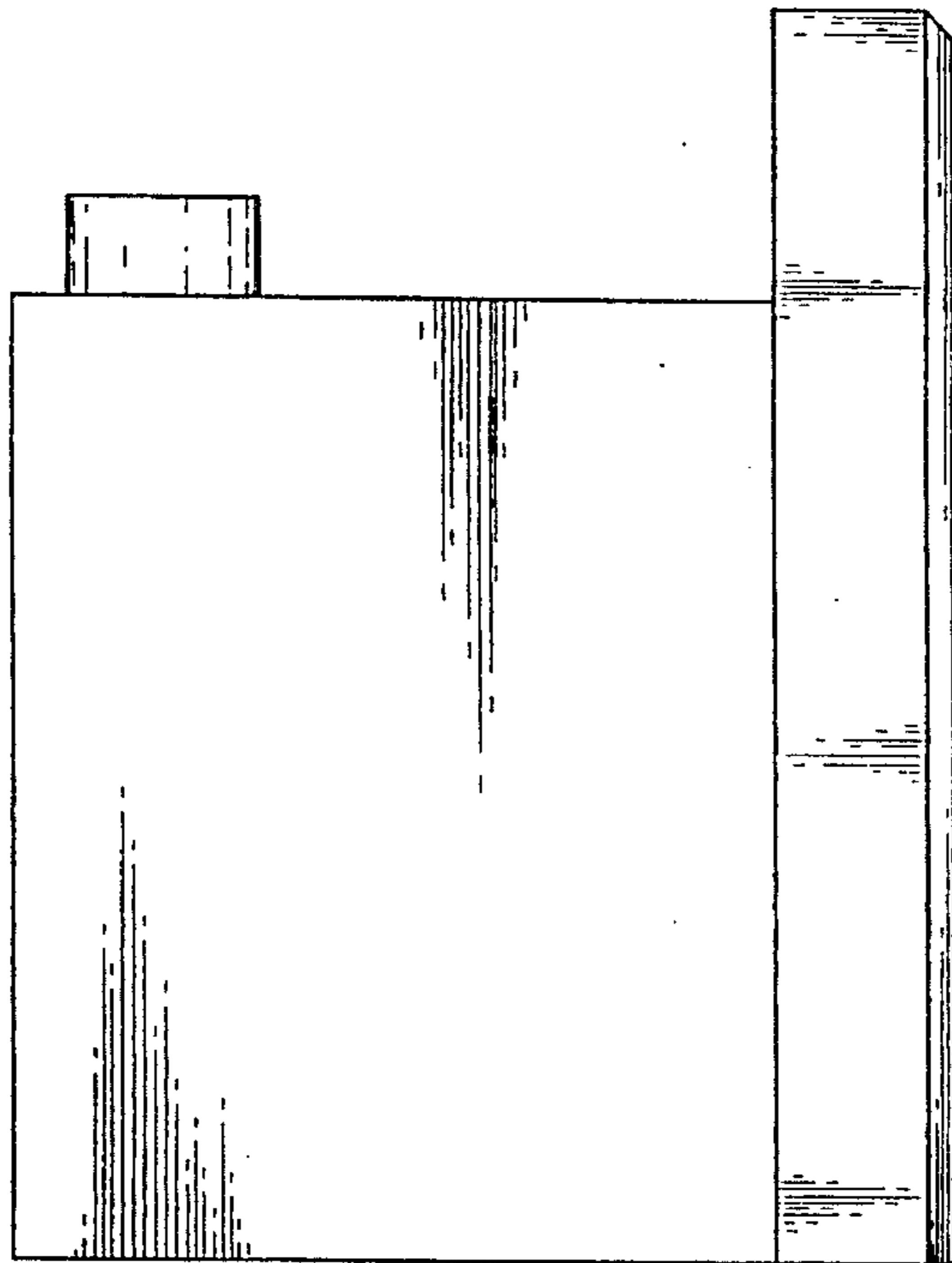


Fig. 4

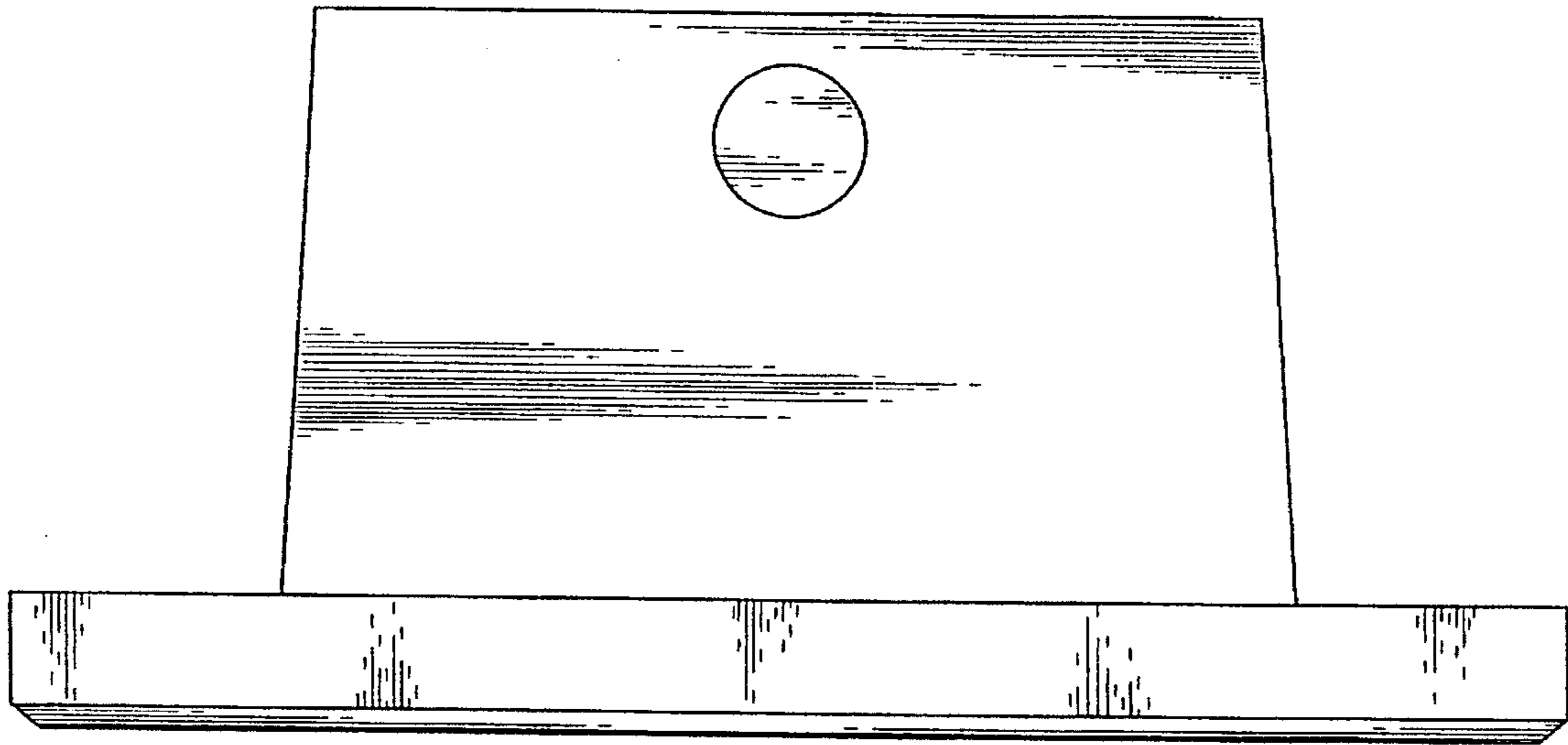


Fig. 5

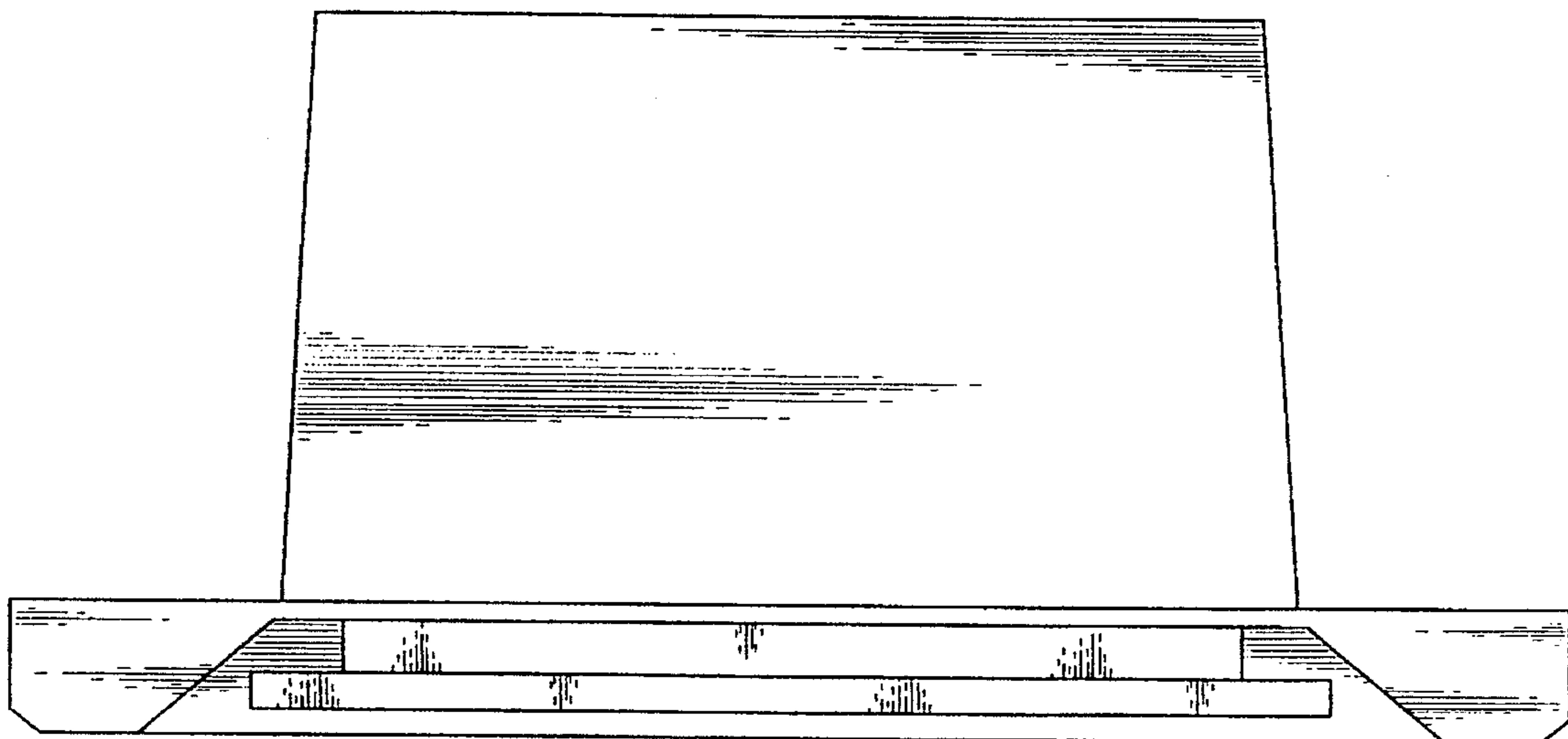


Fig. 6