



US00D375154S

United States Patent [19]

[11] **Patent Number: Des. 375,154**

Trueb et al.

[45] **Date of Patent: **Oct. 29, 1996**

[54] **BARRIER FOR ENCLOSING PLUMBING AND SINK FIXTURES**

Attorney, Agent, or Firm—Ira S. Dorman

[75] Inventors: **Thomas W. Trueb**, Ellington; **Stephen R. Trueb**, Vernon, both of Conn.

[57] **CLAIM**

The ornamental design for a barrier for enclosing plumbing and sink fixtures, as shown and described.

[73] Assignee: **Truebro, Inc.**, Ellington, Conn.

DESCRIPTION

[**] Term: **14 Years**

FIG. 1 is a perspective view of a barrier for enclosing plumbing and sink fixtures of the invention;

[21] Appl. No.: **30,725**

FIG. 2 is a side elevational view of the undersink protective barrier structure of the invention the opposite side being a mirror image;

[22] Filed: **Nov. 7, 1994**

[52] U.S. Cl. **D23/308**

FIG. 3 is a front view of the undersink protective barrier structure of the invention;

[58] **Field of Search** D23/308-310;
D24/119, 136; 4/630, 650, 654, 656, 657,
658, 661, 670, 619

FIG. 4 is a rear view of the undersink protective barrier structure of the invention;

[56] **References Cited**

U.S. PATENT DOCUMENTS

D. 332,654	1/1993	Reid et al.	D23/308
3,487,428	1/1970	Harris	4/619
3,943,581	3/1976	Reyes	4/630
4,646,370	3/1987	Risberg et al.	4/619 X

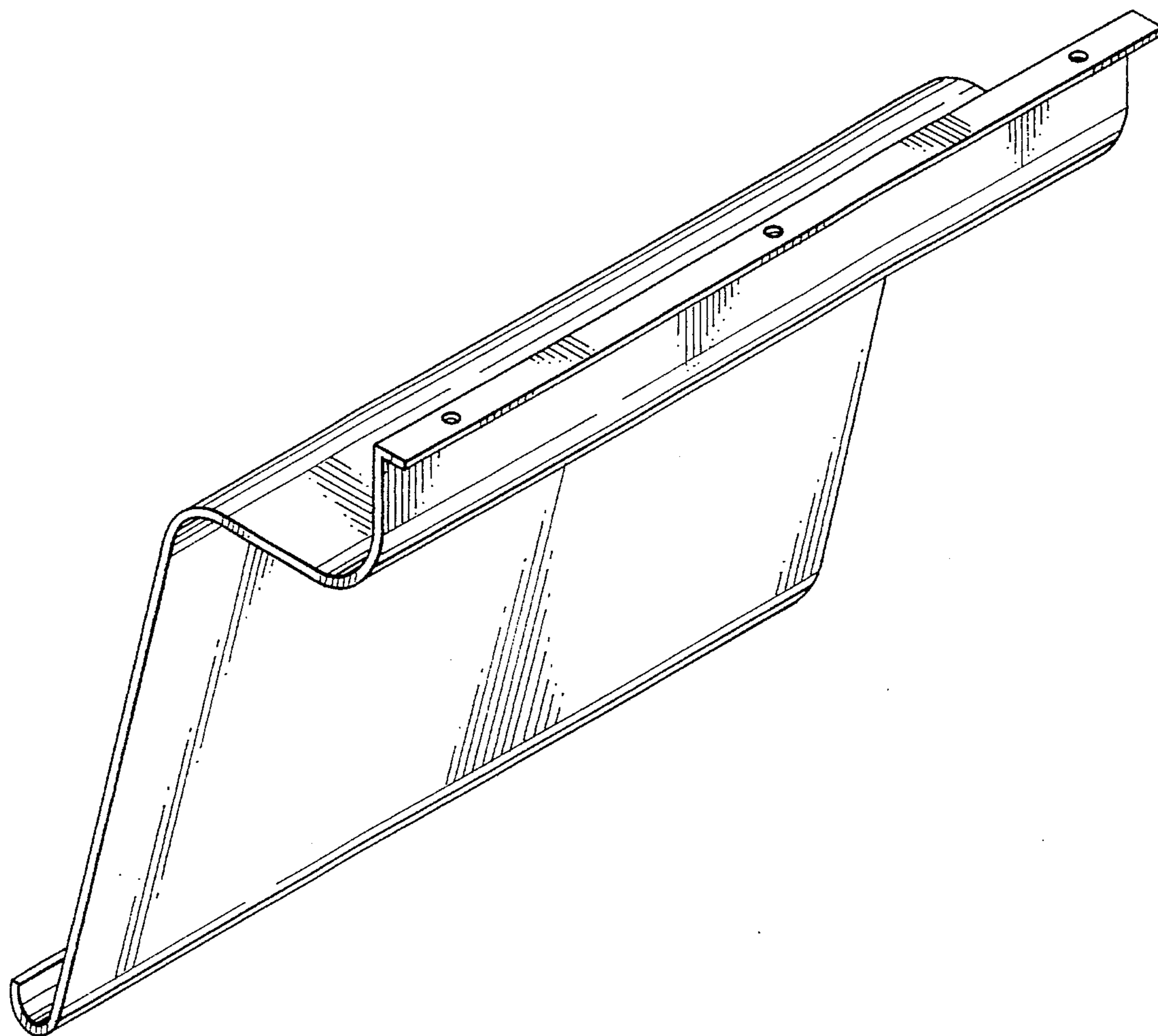
FIG. 5 is a top view of the undersink protective barrier structure of the invention;

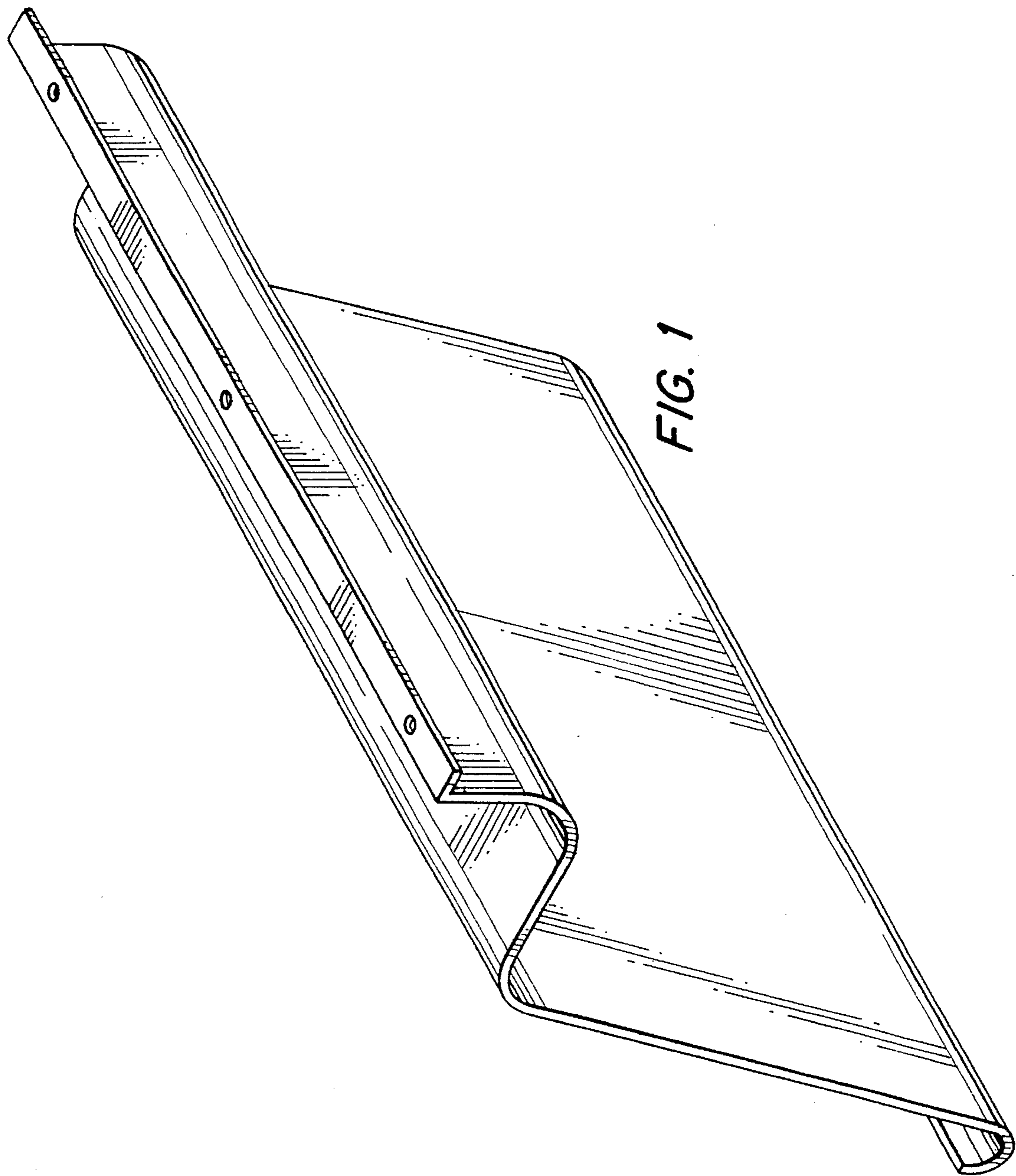
FIG. 6 is a bottom view of the undersink protective barrier structure of the invention; and,

FIG. 7 is a front perspective view, showing the claimed design mounted underneath a sink. The broken lines shown are for illustrative purposes only, and form no part of the claimed design.

Primary Examiner—Stella Reid
Assistant Examiner—Eric Watterson

1 Claim, 5 Drawing Sheets





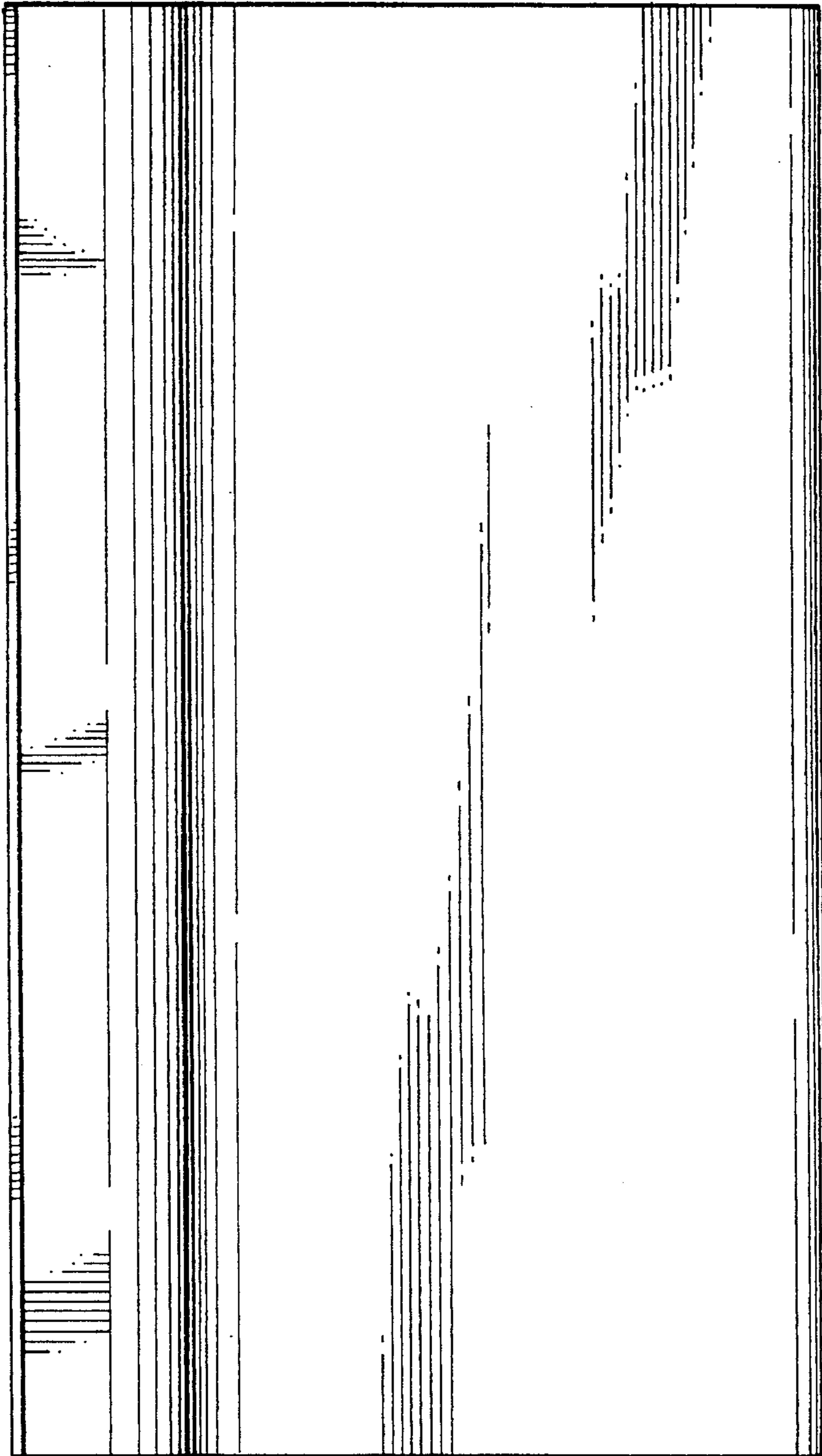


FIG. 2

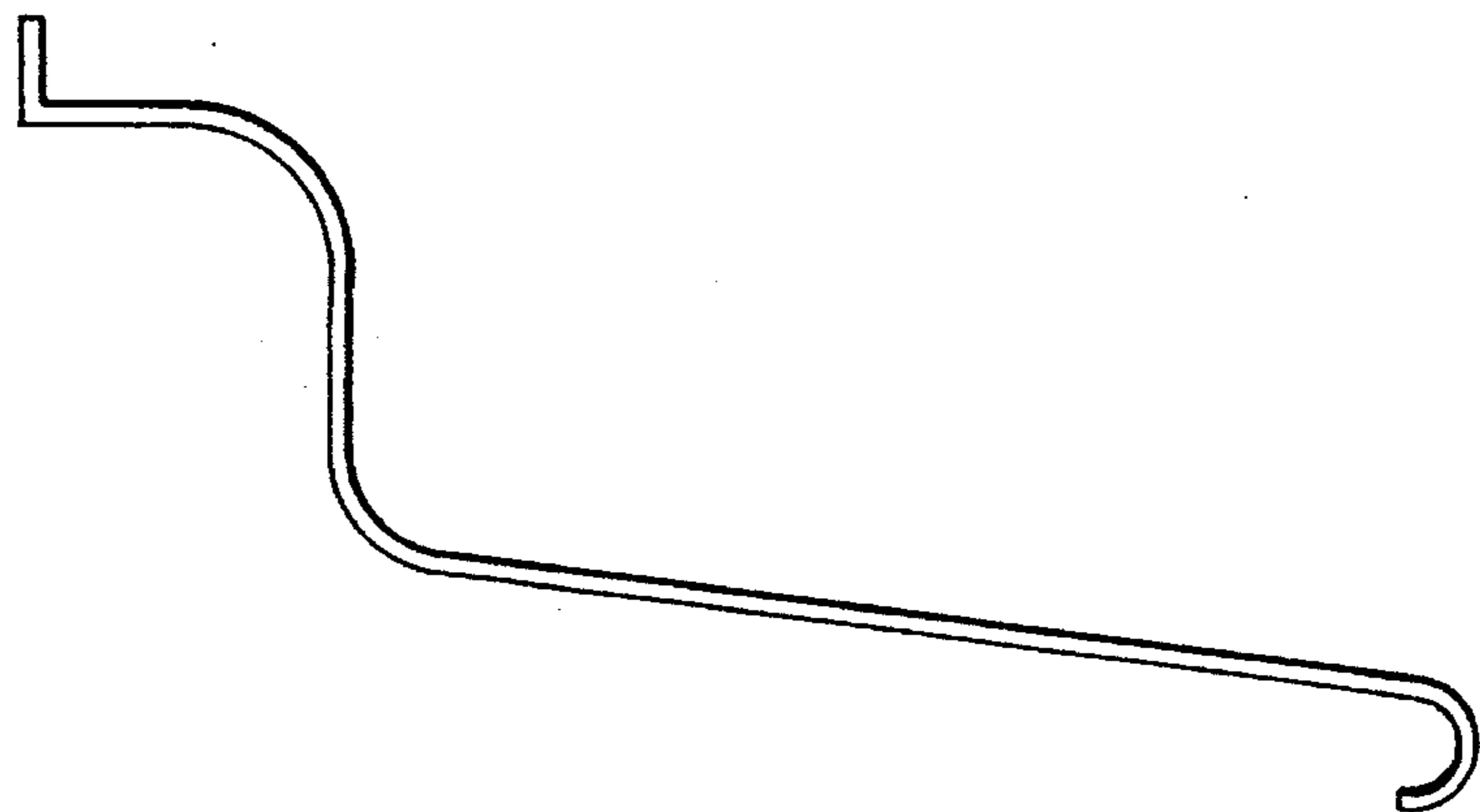


FIG. 3



FIG. 4

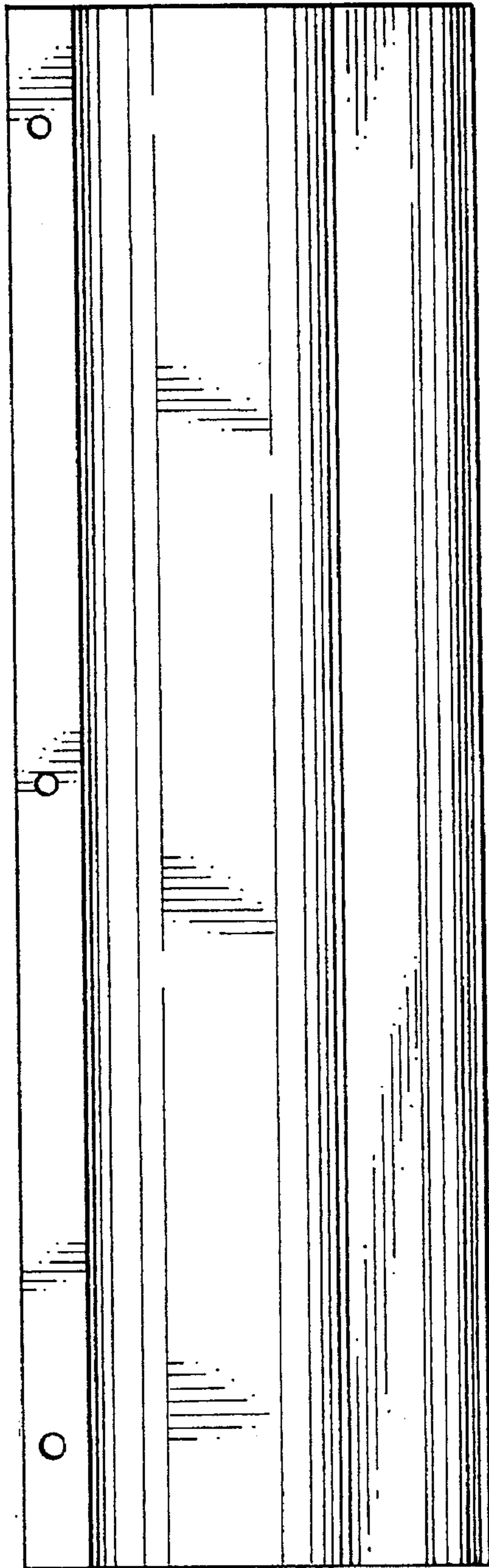


FIG. 5

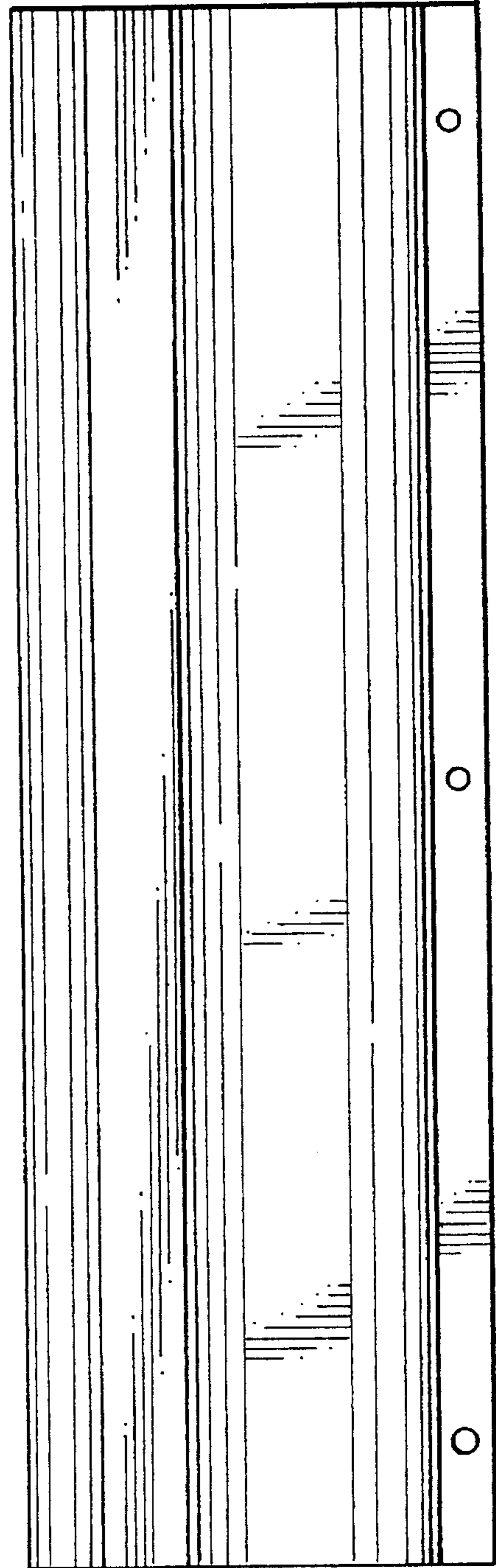


FIG. 6

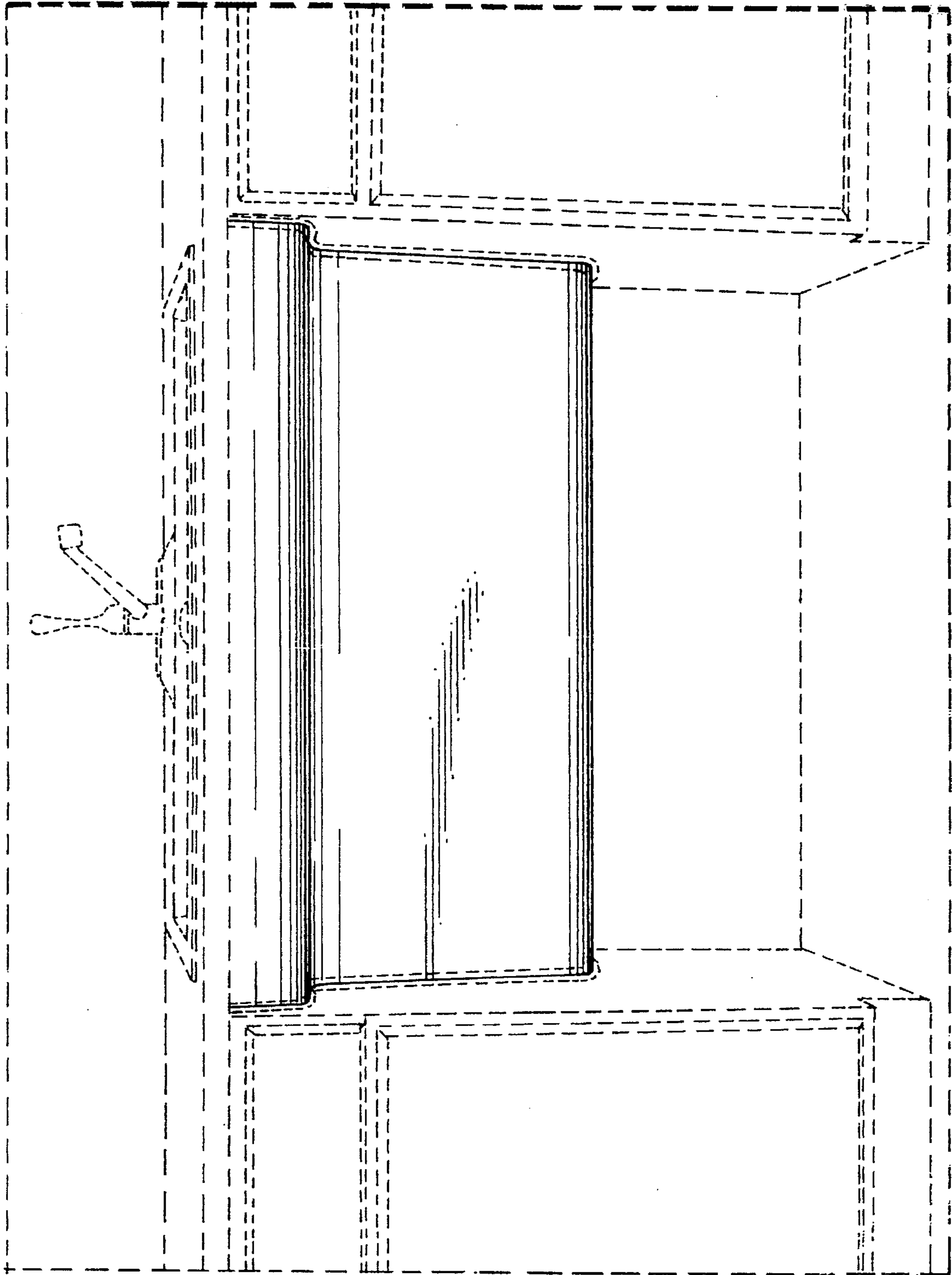


FIG. 7