



US00D375151S

United States Patent [19] Andronico

[11] Patent Number: **Des. 375,151**

[45] Date of Patent: ****Oct. 29, 1996**

[54] **BATHTUBS**

4,928,329 5/1990 Polmeri 4/604 X

[75] Inventor: **Federico Andronico**, Treviso, Italy

Primary Examiner—Louis S. Zarfes

Assistant Examiner—Eric Watterson

[73] Assignee: **Albatros System S.p.A.**, Pordenone, Italy

Attorney, Agent, or Firm—Wenderoth, Lind & Ponack

[**] Term: **14 Years**

[57] CLAIM

[21] Appl. No.: **27,201**

The ornamental design for a bathtub, as shown and described.

[22] Filed: **Aug. 16, 1994**

DESCRIPTION

[30] Foreign Application Priority Data

Mar. 10, 1994 [IT] Italy PN940000006

[52] U.S. Cl. **D23/277**

[58] Field of Search D23/275, 277, D23/279, 280.1, 280.2, 280.4, 283; 4/596, 600, 602, 604, 605, 607, 610, 612.

FIG. 1 is a front, left side elevational view of a first embodiment of a bathtub showing my new design;

FIG. 2 is a front, left side perspective view of a second embodiment thereof;

FIG. 3 is a rear view of the second embodiment thereof;

FIG. 4 is a rear, right side perspective view of either embodiment thereof;

FIG. 5 is a front view of either embodiment thereof;

FIG. 6 is a top plan view of the first embodiment thereof; and,

FIG. 7 is a bottom plan view of the first embodiment thereof.

The broken line showing is for illustrative purposes only and forms no part of the claimed design.

[56] References Cited

U.S. PATENT DOCUMENTS

- D. 319,093 8/1991 Donnenberg et al. D23/275
- D. 332,995 2/1993 Dworefzky D23/275
- D. 341,192 11/1993 Dworefzky D23/275
- D. 346,015 4/1994 Maskell et al. D23/275 X

1 Claim, 6 Drawing Sheets

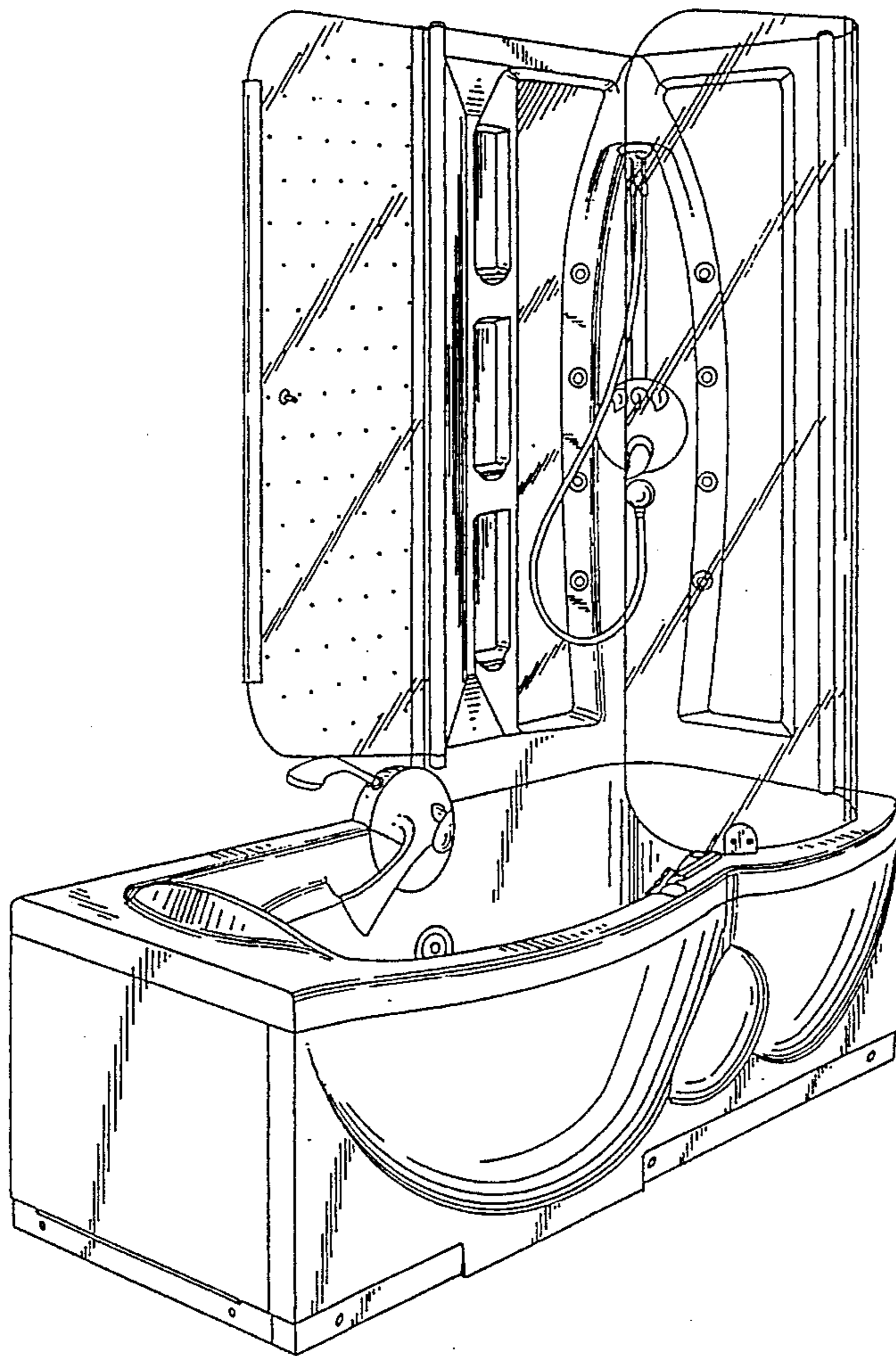


FIG. 1

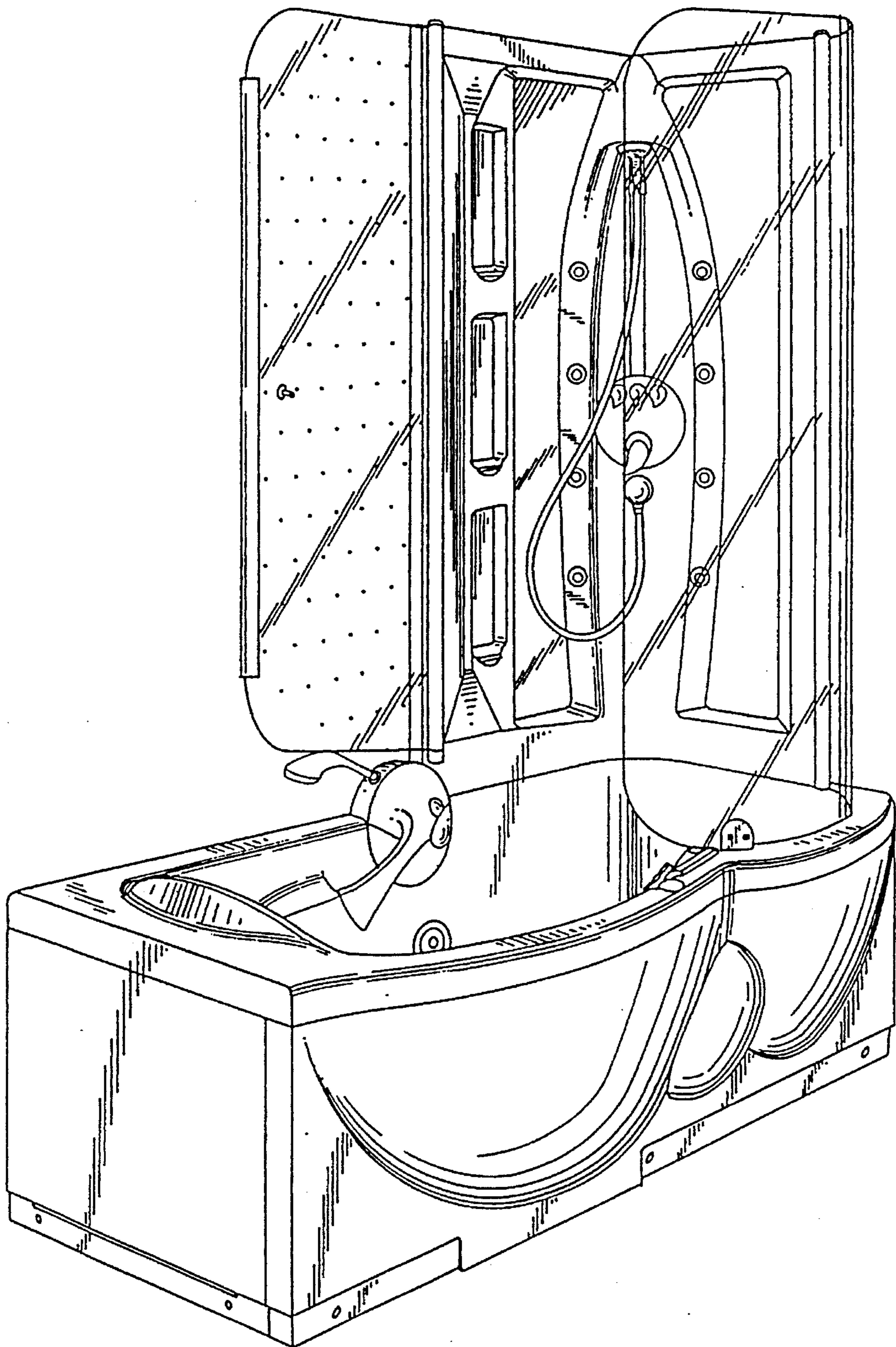


FIG. 2

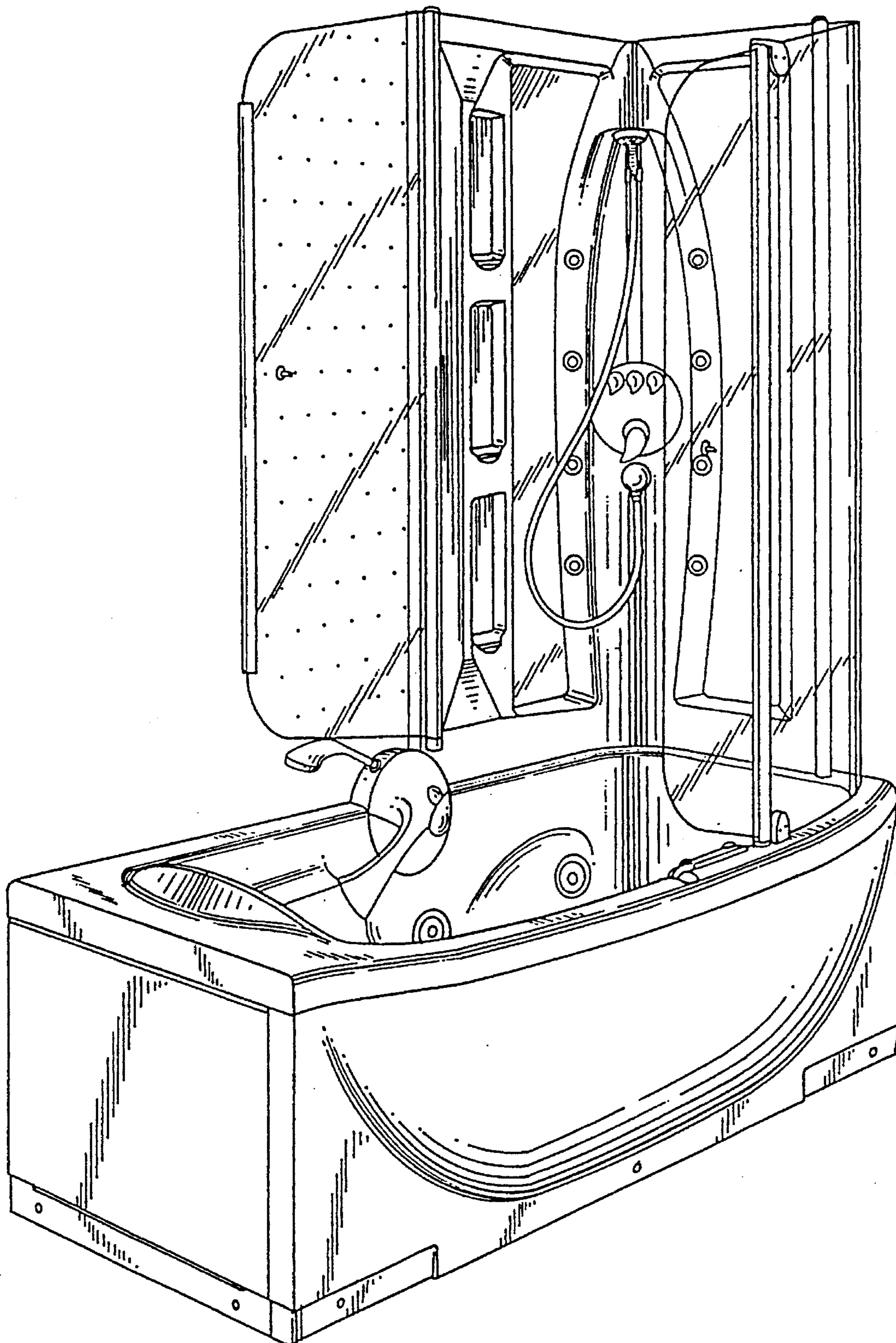


FIG. 3

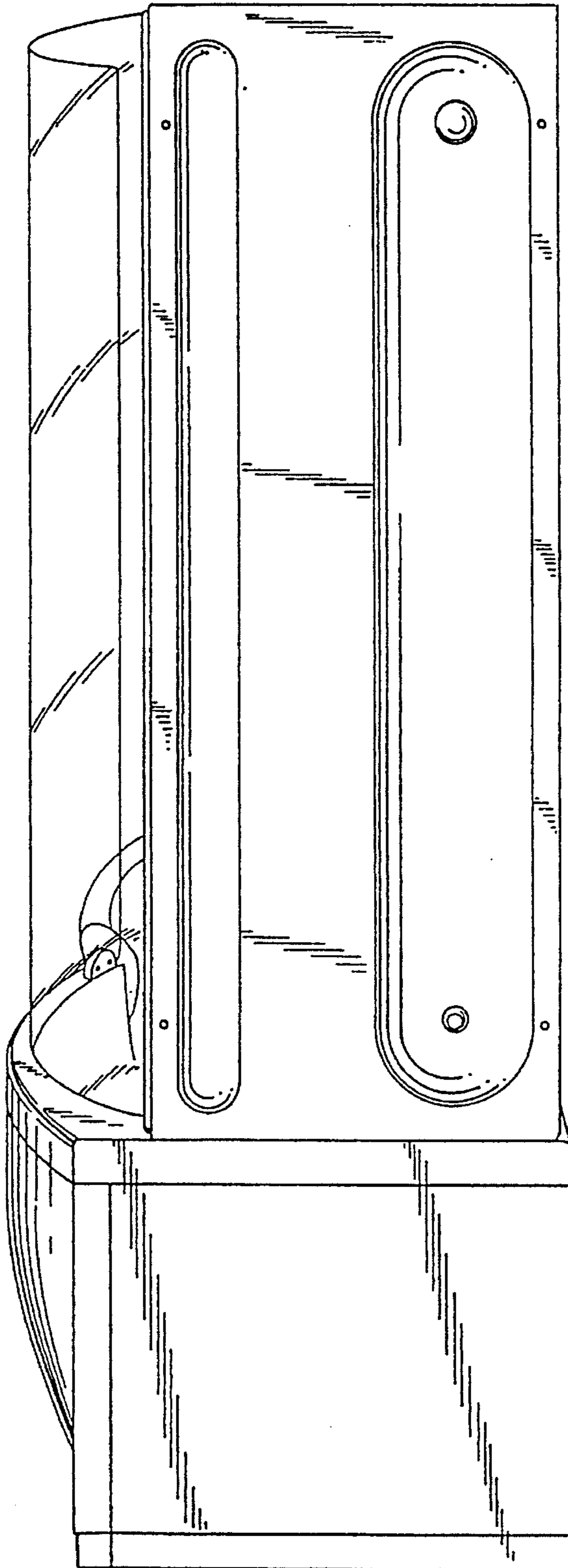


FIG. 4

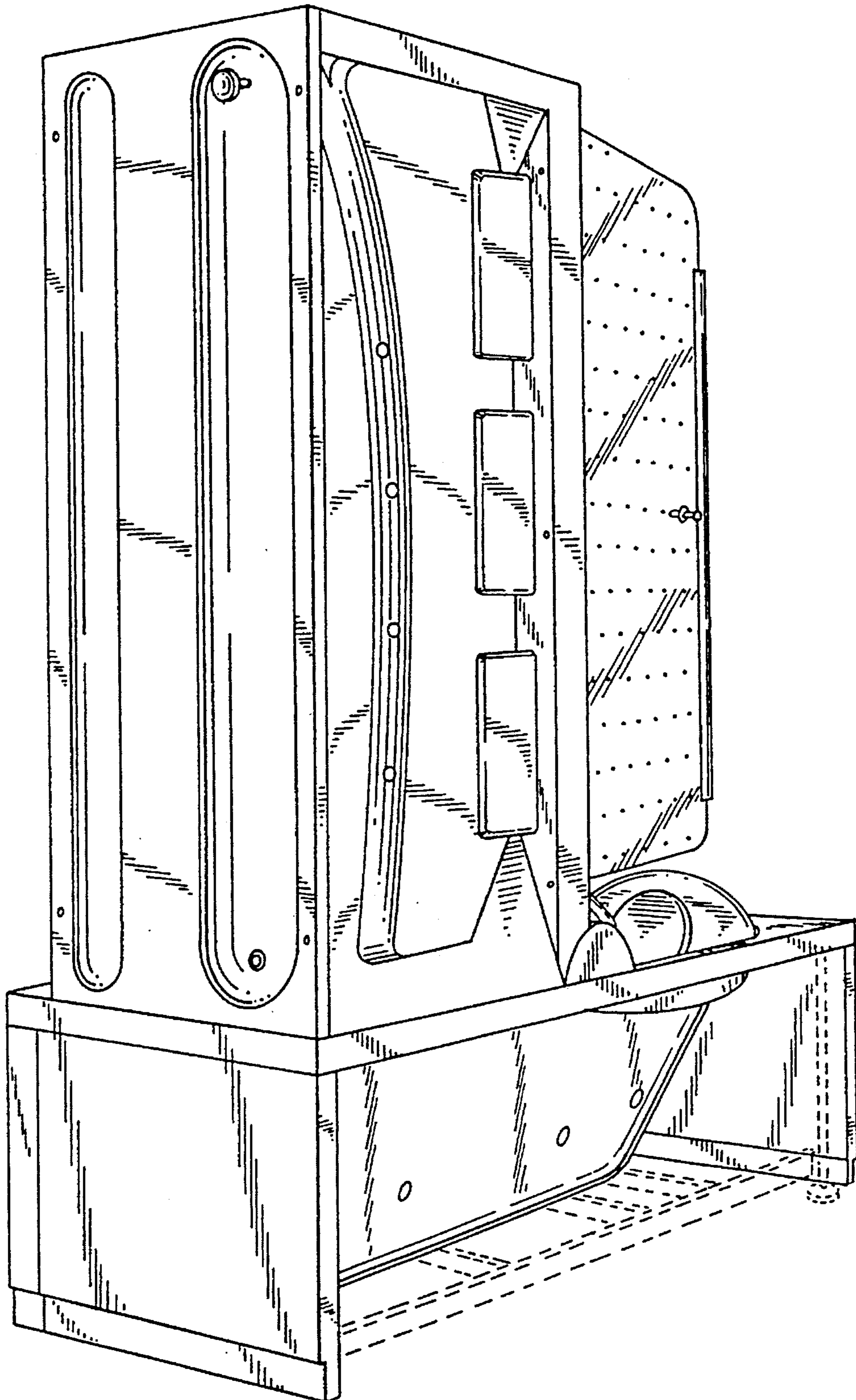


FIG. 5

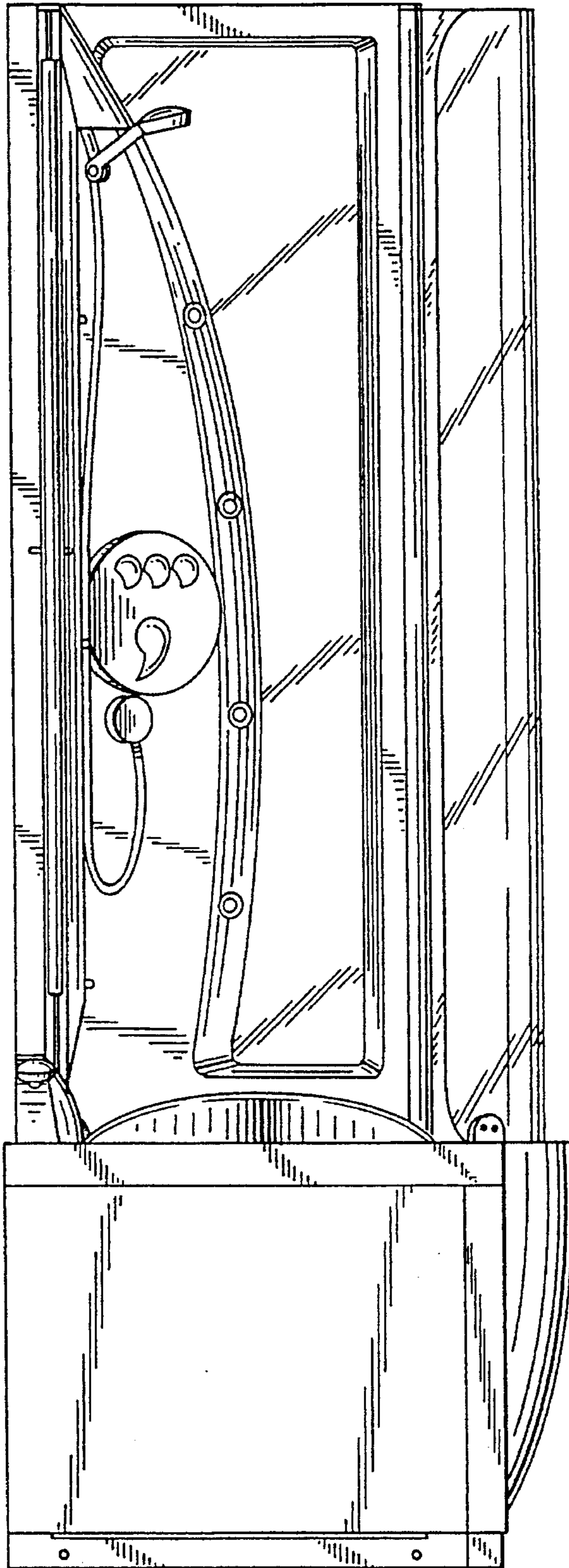


FIG. 6

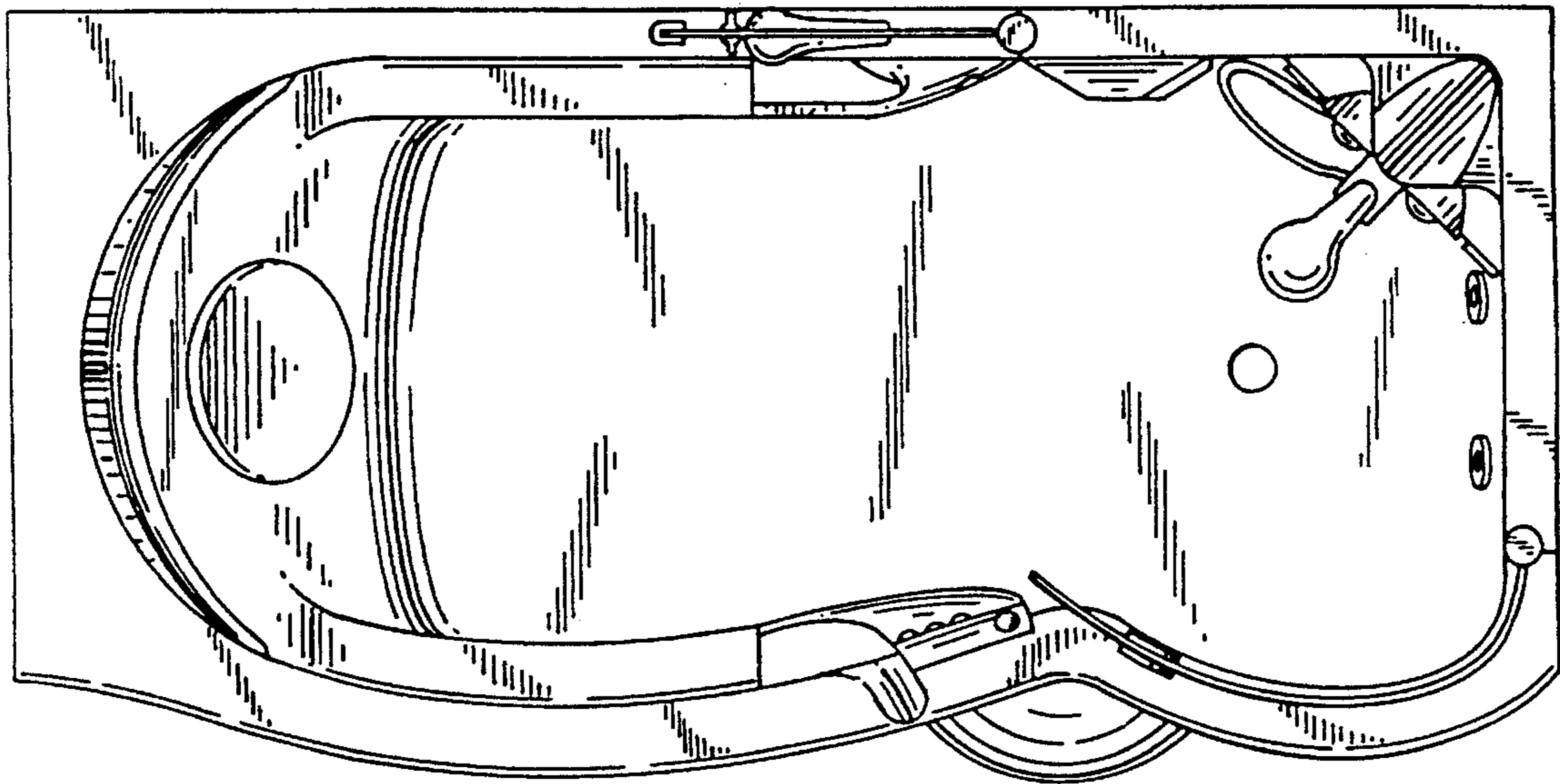


FIG. 7

