



US00D375149S

United States Patent [19]
Robbins

[11] **Patent Number: Des. 375,149**
[45] **Date of Patent: **Oct. 29, 1996**

[54] **PLUMBING SPOUT**

[75] Inventor: **Tom E. Robbins**, San Leandro, Calif.

[73] Assignee: **Kallista, Inc.**, San Leandro, Calif.

[**] Term: **14 Years**

[21] Appl. No.: **38,033**

[22] Filed: **Apr. 26, 1995**

[52] U.S. Cl. **D23/257**

[58] Field of Search **D23/238-243,**
D23/250-257; 4/675-678; 137/801

[56] **References Cited**

U.S. PATENT DOCUMENTS

D. 235,099	5/1975	Doman	D23/257
D. 263,991	4/1982	Fleischmann et al.	D23/257
D. 287,272	12/1986	Piesco	D23/257
D. 314,813	2/1991	Jans	D23/257
D. 322,841	12/1991	Kohler, Jr. et al.	D23/255
D. 342,308	12/1993	McKeone	D23/257
D. 361,624	8/1995	Robin	D23/257

OTHER PUBLICATIONS

Undated Kallistra ad showing Athos Select faucets, admitted prior art.

Undated Kohler ad showing Coralais faucets (items D and E), admitted prior art.

Primary Examiner—Louis S. Zarfes
Assistant Examiner—Eric Watterson
Attorney, Agent, or Firm—Quarles & Brady

[57] **CLAIM**

The ornamental design for a plumbing spout, as shown and described.

DESCRIPTION

FIG. 1 is a right, top, frontal perspective view of a plumbing spout embodying my new design;
 FIG. 2 is a right side elevational view thereof, the left side elevational view being the mirror image of the right side shown;
 FIG. 3 is a front elevational view thereof;
 FIG. 4 is a rear elevational view thereof;
 FIG. 5 is a top plan view thereof;
 FIG. 6 is a bottom plan view thereof;
 FIG. 7 is a right, top, frontal perspective view of a second embodiment thereof having top and bottom plan views identical to the top and bottom plan views of the first embodiment shown in FIGS. 5 and 6;
 FIG. 8 is a right side elevational view thereof, the left side elevational view being the mirror image of the right side shown;
 FIG. 9 is a front elevational view thereof; and,
 FIG. 10 is a rear elevational view thereof.

1 Claim, 6 Drawing Sheets

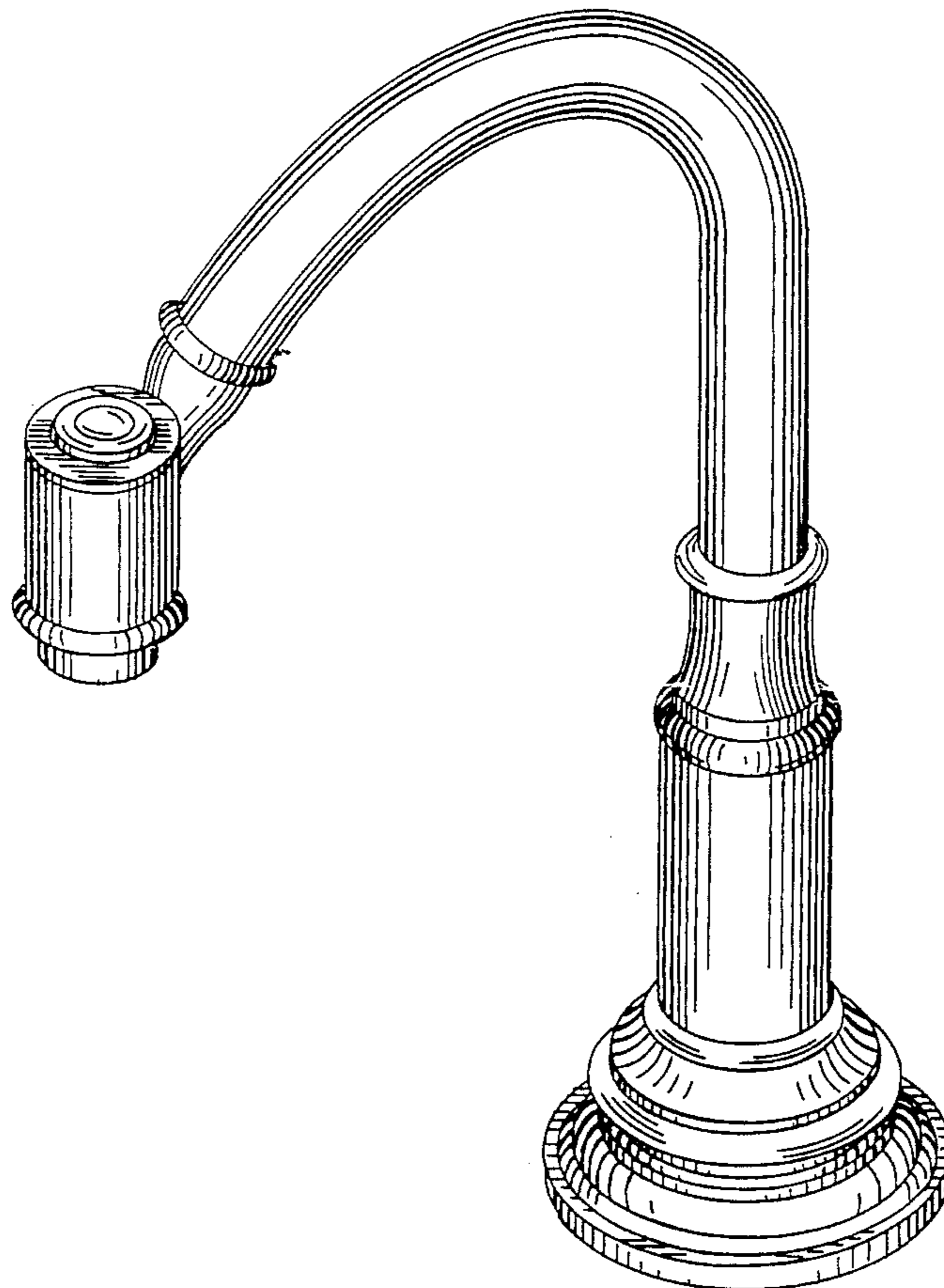
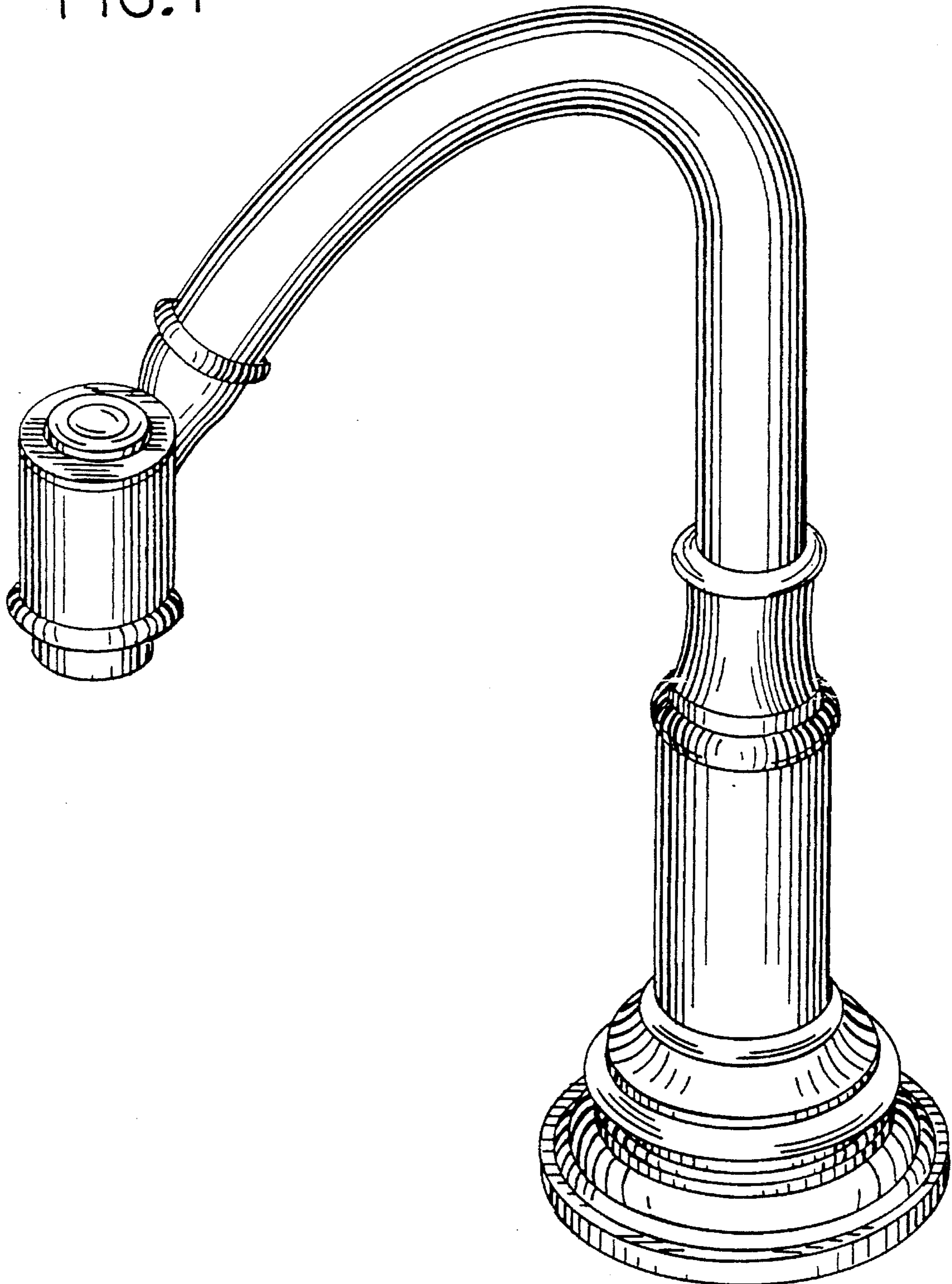


FIG. 1



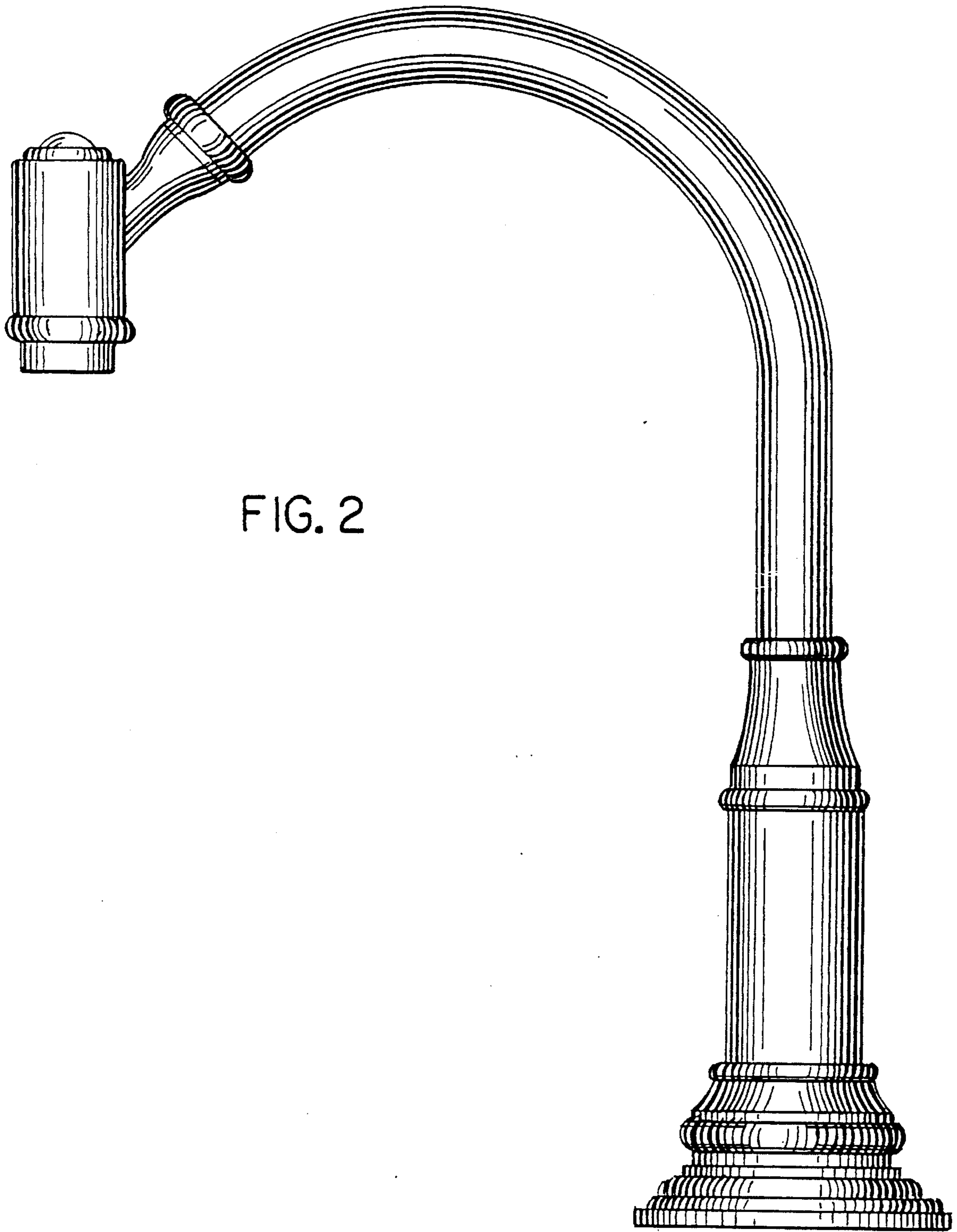


FIG. 2

FIG. 3

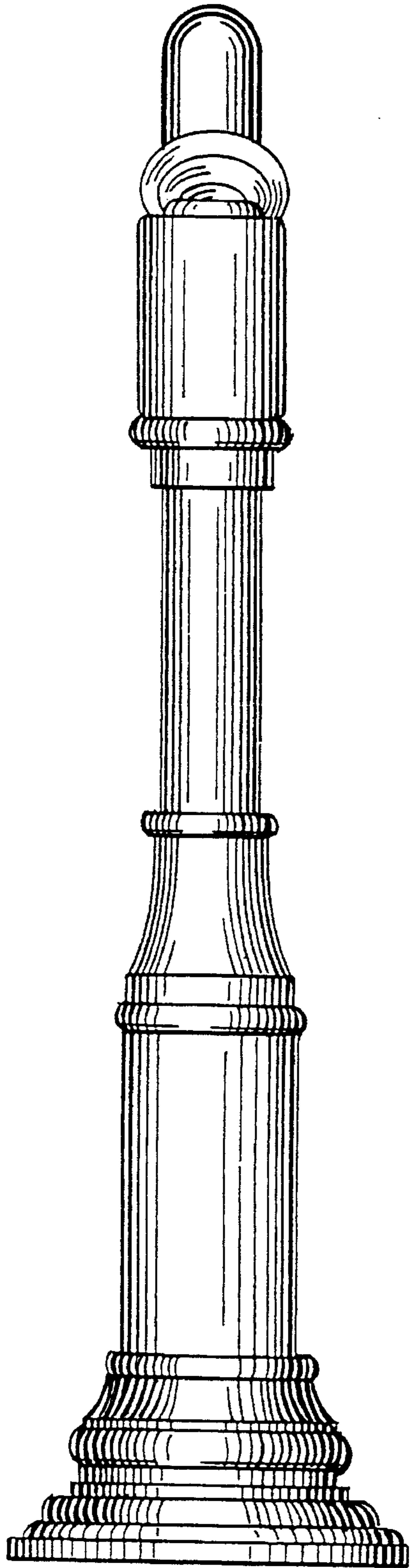
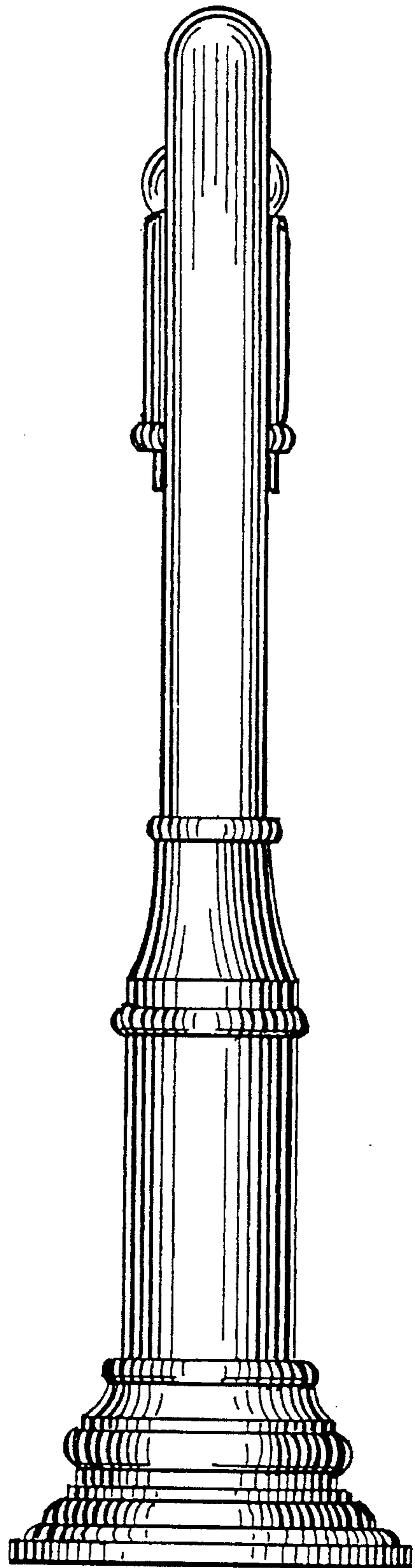


FIG. 4



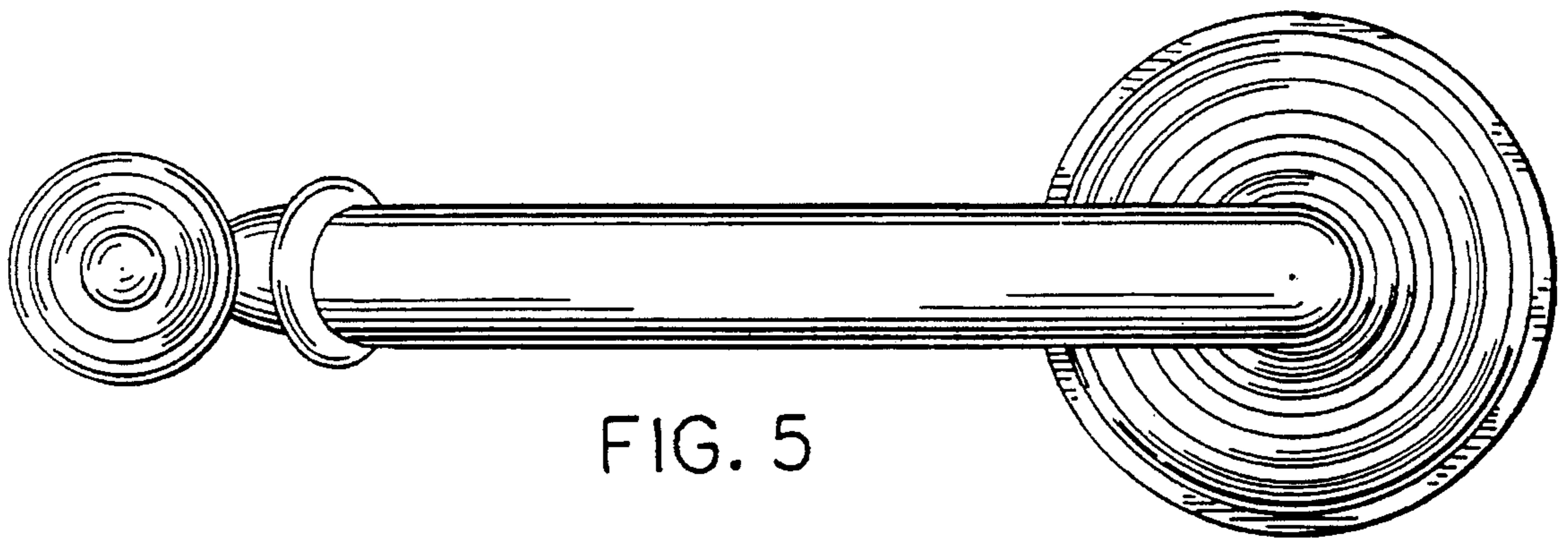


FIG. 5

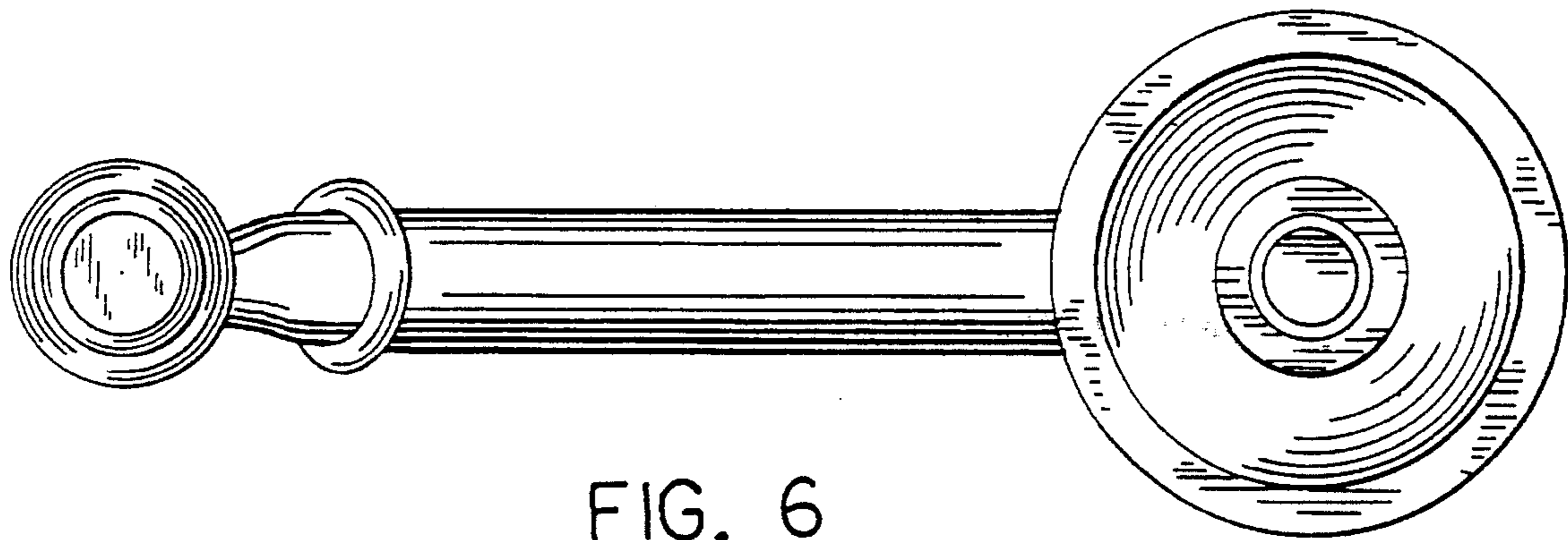
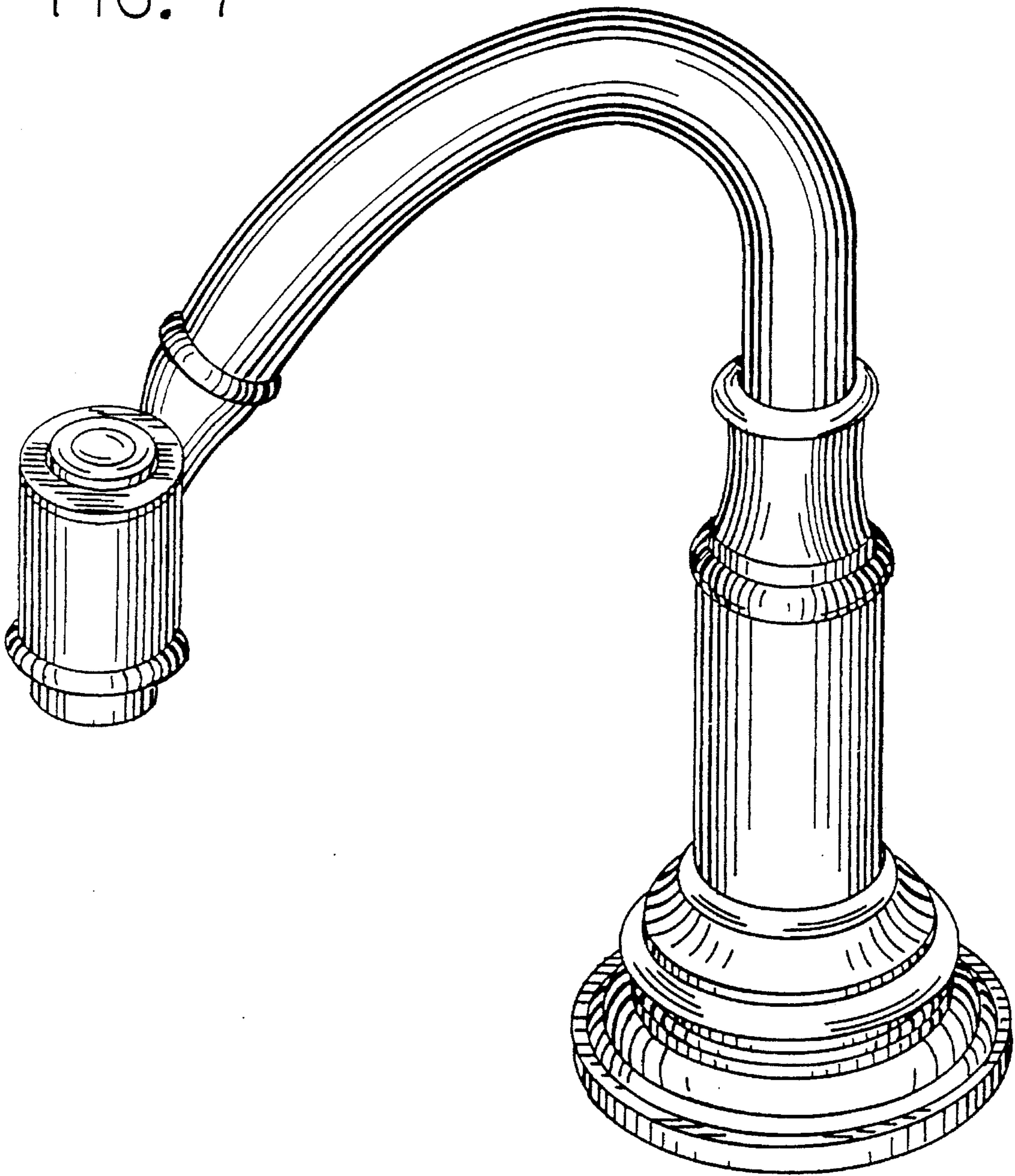


FIG. 6

FIG. 7



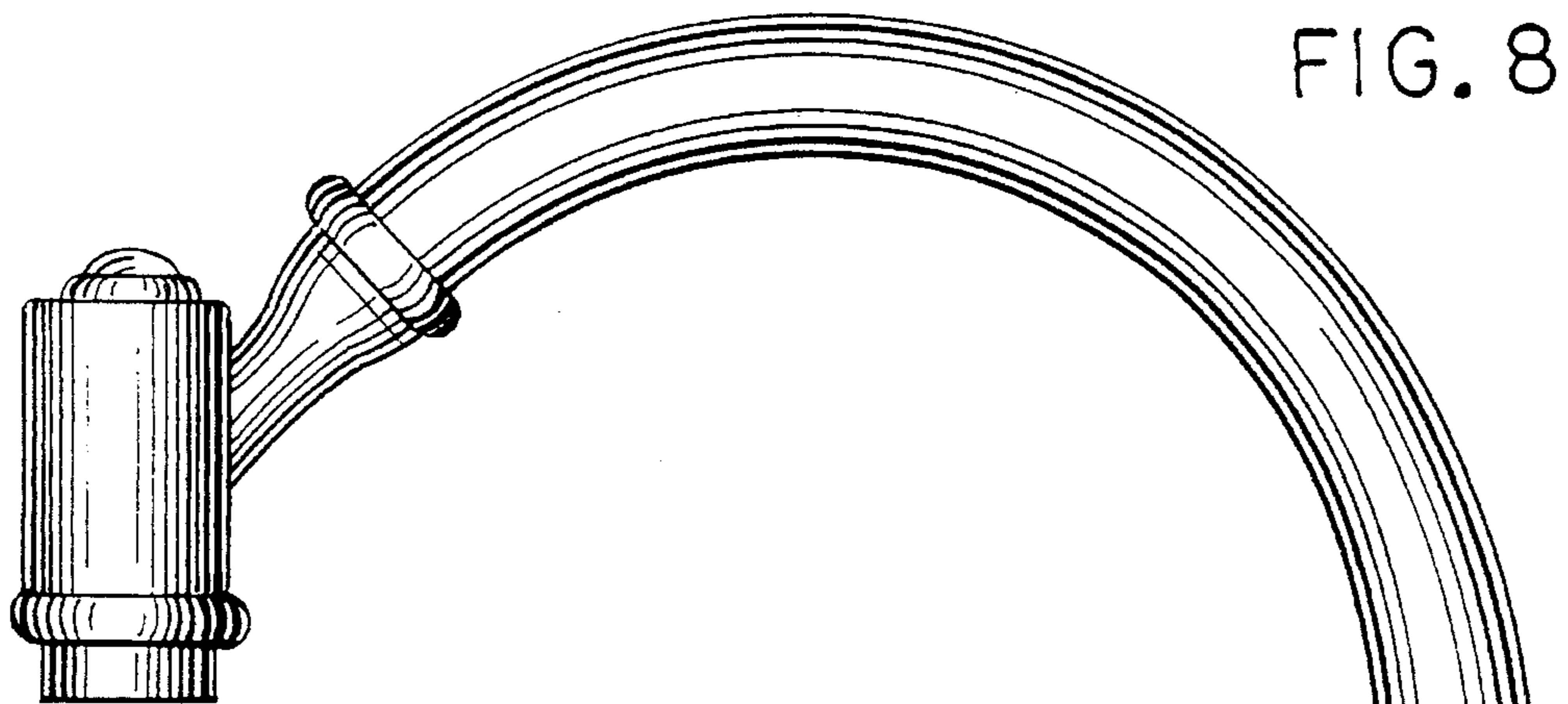


FIG. 8

FIG. 9

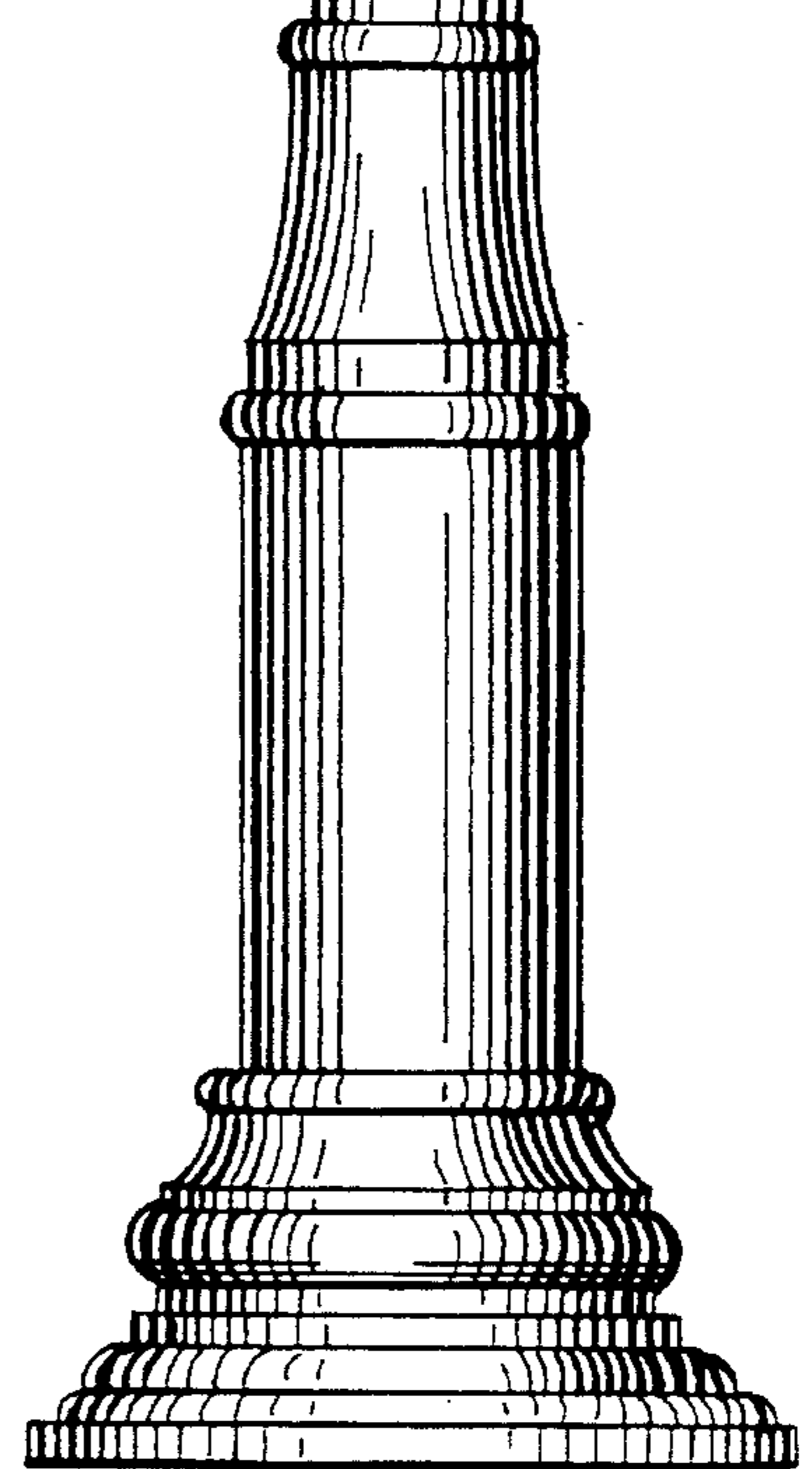
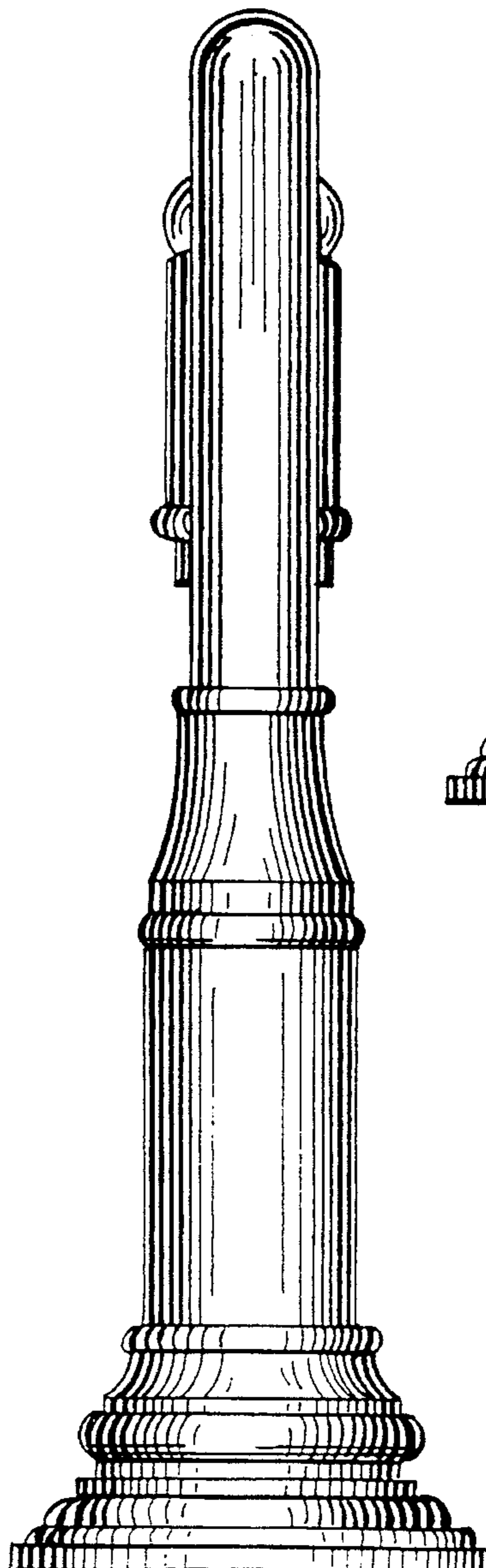
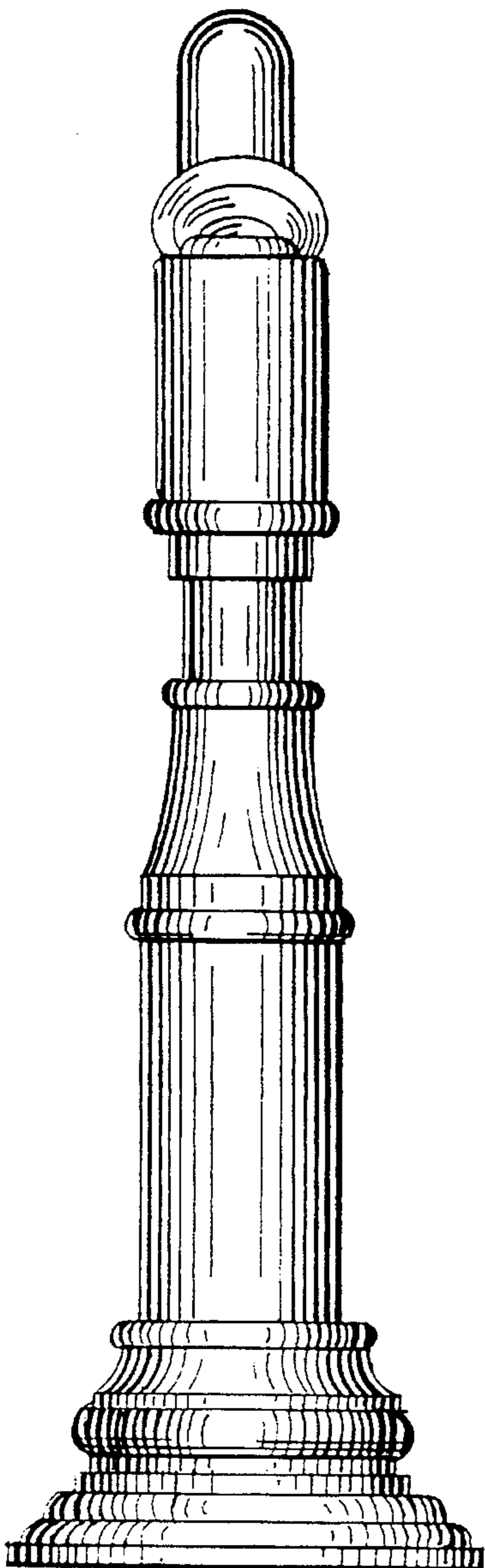


FIG. 10