



US00D375148S

# United States Patent [19]

Keller

[11] Patent Number: **Des. 375,148**

[45] Date of Patent: **\*\*Oct. 29, 1996**

[54] **DIRECTIONAL INDICATOR FOR VALVES**

[76] Inventor: **Jerry A. Keller**, 201 Dock St., Schuylkill Haven, Pa. 17972

[\*\*] Term: **14 Years**

[21] Appl. No.: **30,211**

[22] Filed: **Oct. 24, 1994**

[52] U.S. Cl. .... **D23/249**

[58] Field of Search ..... D23/233-237, D23/244, 245, 246, 277, 248, 249, 259, 260, 261, 262; D8/349, 352; 137/556, 556.3, 556.6

[56] **References Cited**

**U.S. PATENT DOCUMENTS**

D. 193,756	10/1962	Parker .....	D23/254
D. 265,968	8/1982	Bergin .....	D8/352
D. 285,044	8/1986	Mockett .....	D8/349
319,939	6/1885	Tudor .....	137/556.3

935,329	9/1909	Osbourn .....	137/556.6
1,798,498	3/1931	Riley .....	137/556.3
2,167,321	7/1939	Abercombie .....	137/556
2,431,778	12/1947	Sosaya .....	138/89

*Primary Examiner*—Louis S. Zarfes  
*Assistant Examiner*—Gregory Andoll  
*Attorney, Agent, or Firm*—Harold H. Dutton, Jr.; W. Charles L. Jamison; Diane S. Liebman

[57] **CLAIM**

The ornamental design for a directional indicator for valves, as shown.

**DESCRIPTION**

FIG. 1 is a top plan view of a directional indicator for valves showing my new design;  
FIG. 2 is a bottom plan view thereof;  
FIG. 3 is a perspective view thereof; and,  
FIG. 4 is a side view thereof.

**1 Claim, 1 Drawing Sheet**

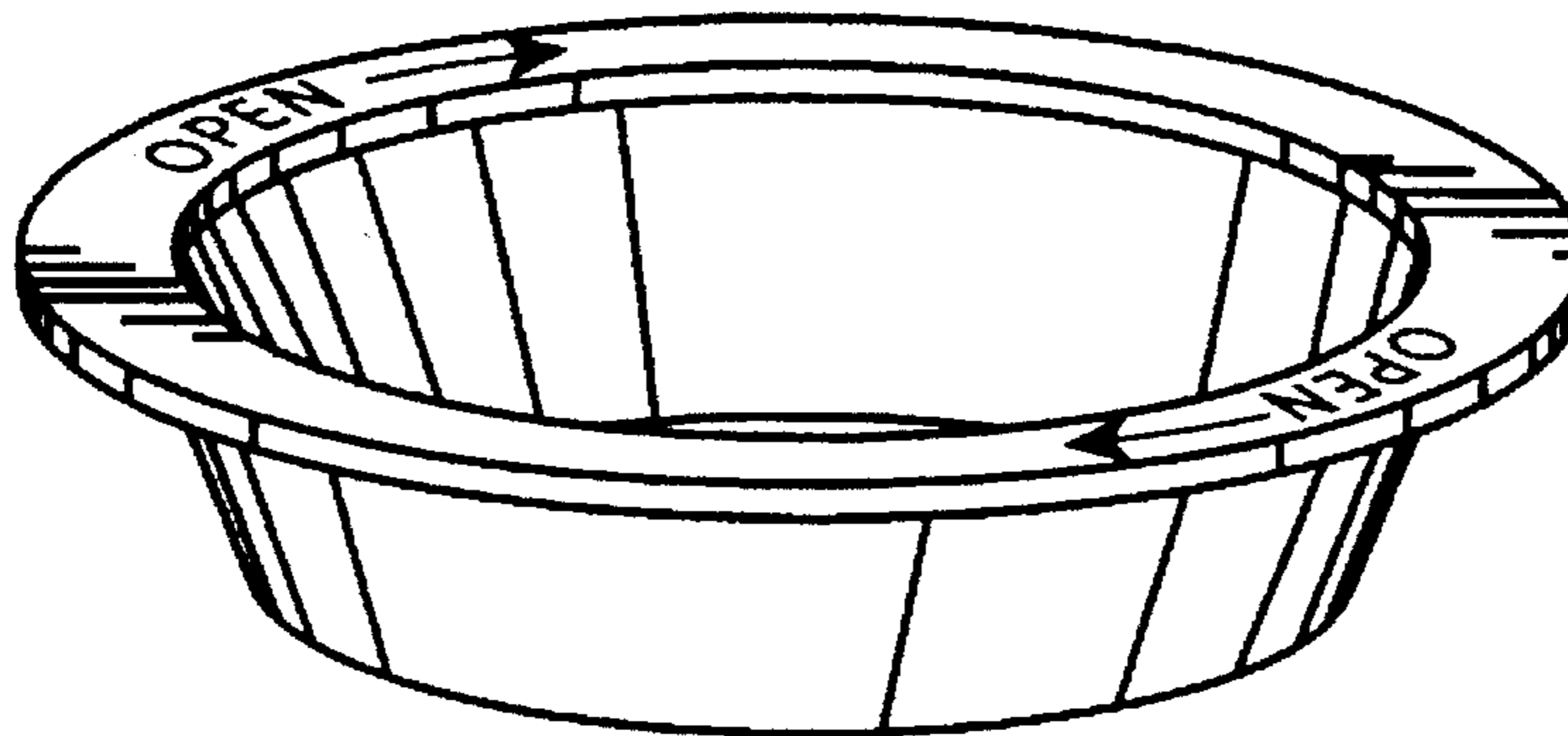


FIG. 1

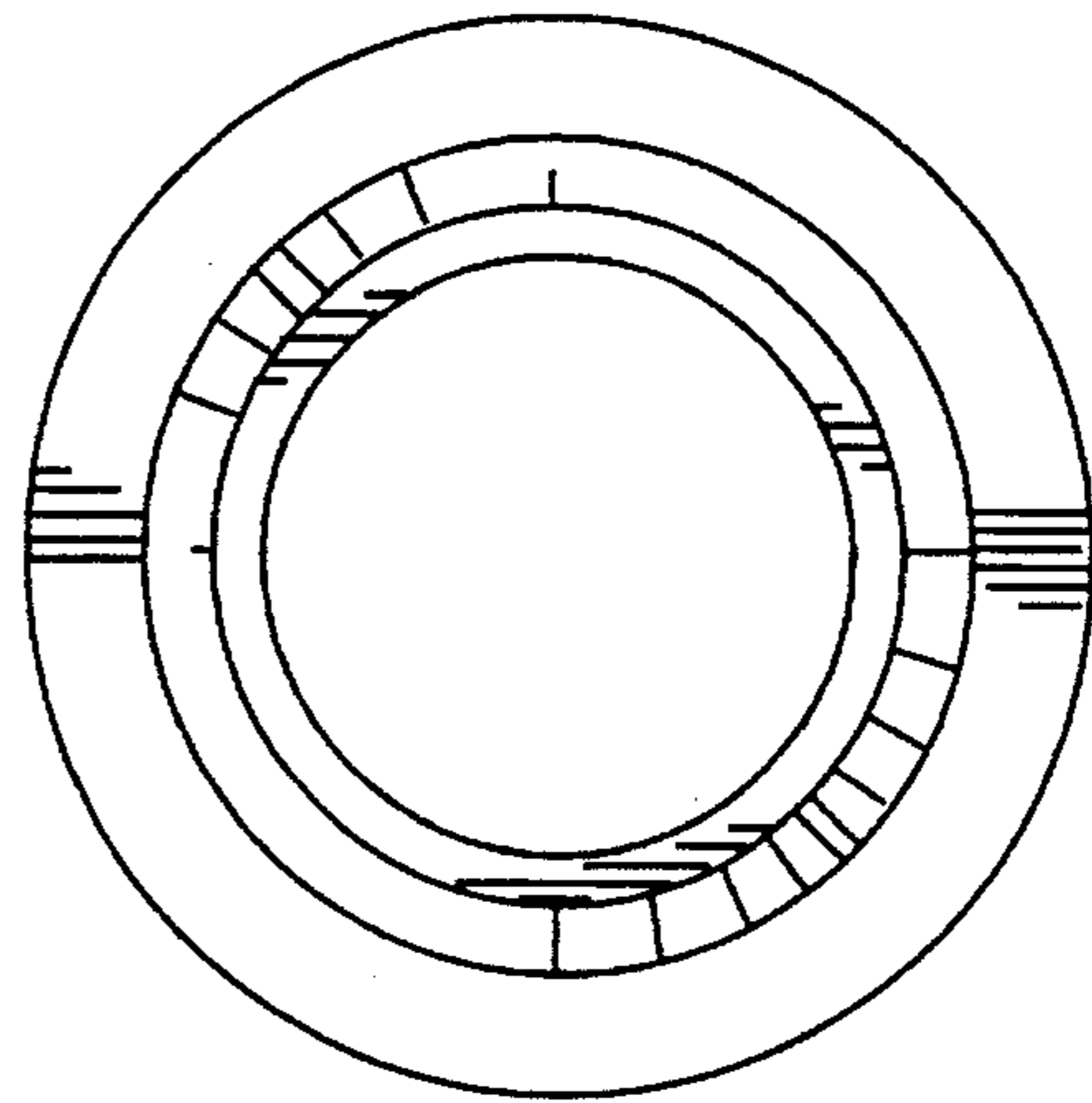
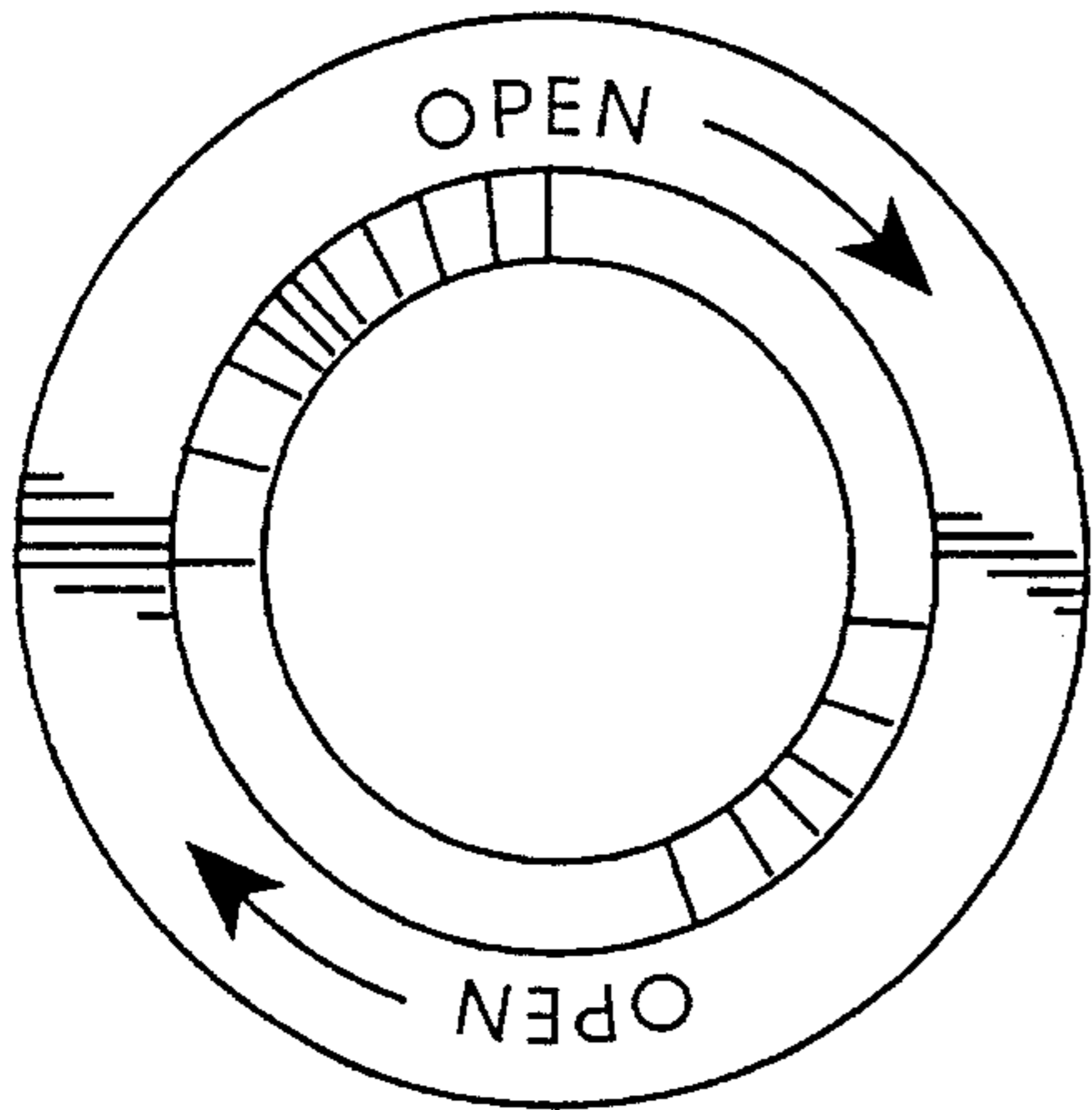


FIG. 2

FIG. 3

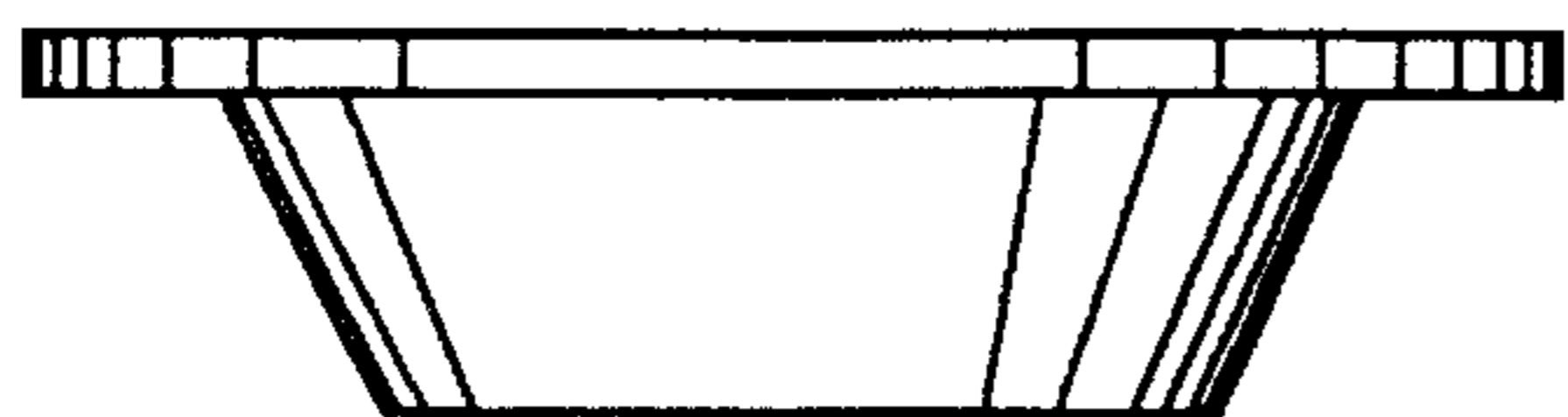
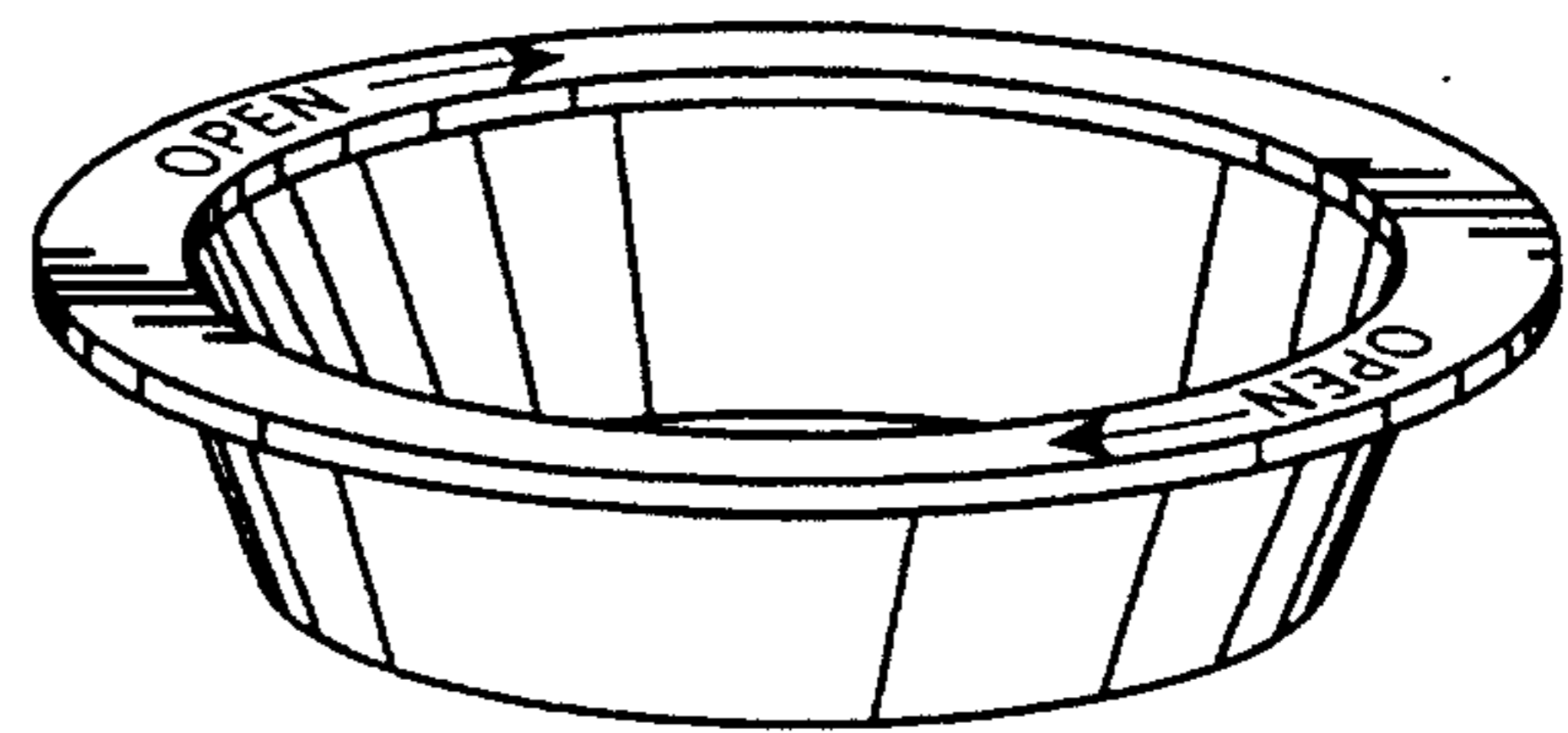


FIG. 4