



US00D375147S

# United States Patent [19]

Doughty et al.

[11] Patent Number: **Des. 375,147**

[45] Date of Patent: **\*\*Oct. 29, 1996**

[54] FAUCET

[75] Inventors: **Frederic C. Doughty**, S. Pasadena;  
**Darren M. Mark**, Castaic, both of Calif.

[73] Assignee: **Emhart, Inc.**, Newark, Del.

[\*\*] Term: **14 Years**

[21] Appl. No.: **44,394**

[22] Filed: **Sep. 22, 1995**

[52] U.S. Cl. .... **D23/243**

[58] Field of Search ..... D23/238-243,  
D23/250-257; 4/675-678; 137/801

[56] **References Cited**

### U.S. PATENT DOCUMENTS

D. 87,328	7/1932	Brotz .	
D. 144,249	3/1946	Hinderer .....	D23/243
D. 176,447	12/1955	Cohen .	
D. 193,924	10/1962	Harty .....	D23/241
D. 197,455	2/1964	Mackay .	
D. 216,692	3/1970	Young .	

D. 253,799	1/1980	Saporito et al. .	
D. 258,519	3/1981	Thevenot .....	D23/243
D. 258,525	5/1981	Thevenot .	
D. 279,923	7/1985	Niemann et al. ....	D23/255
D. 288,837	3/1987	Yost .	
D. 296,461	6/1988	Yost .	

*Primary Examiner*—Stella Reid  
*Assistant Examiner*—Eric Watterson  
*Attorney, Agent, or Firm*—J. Bruce Hoofnagle

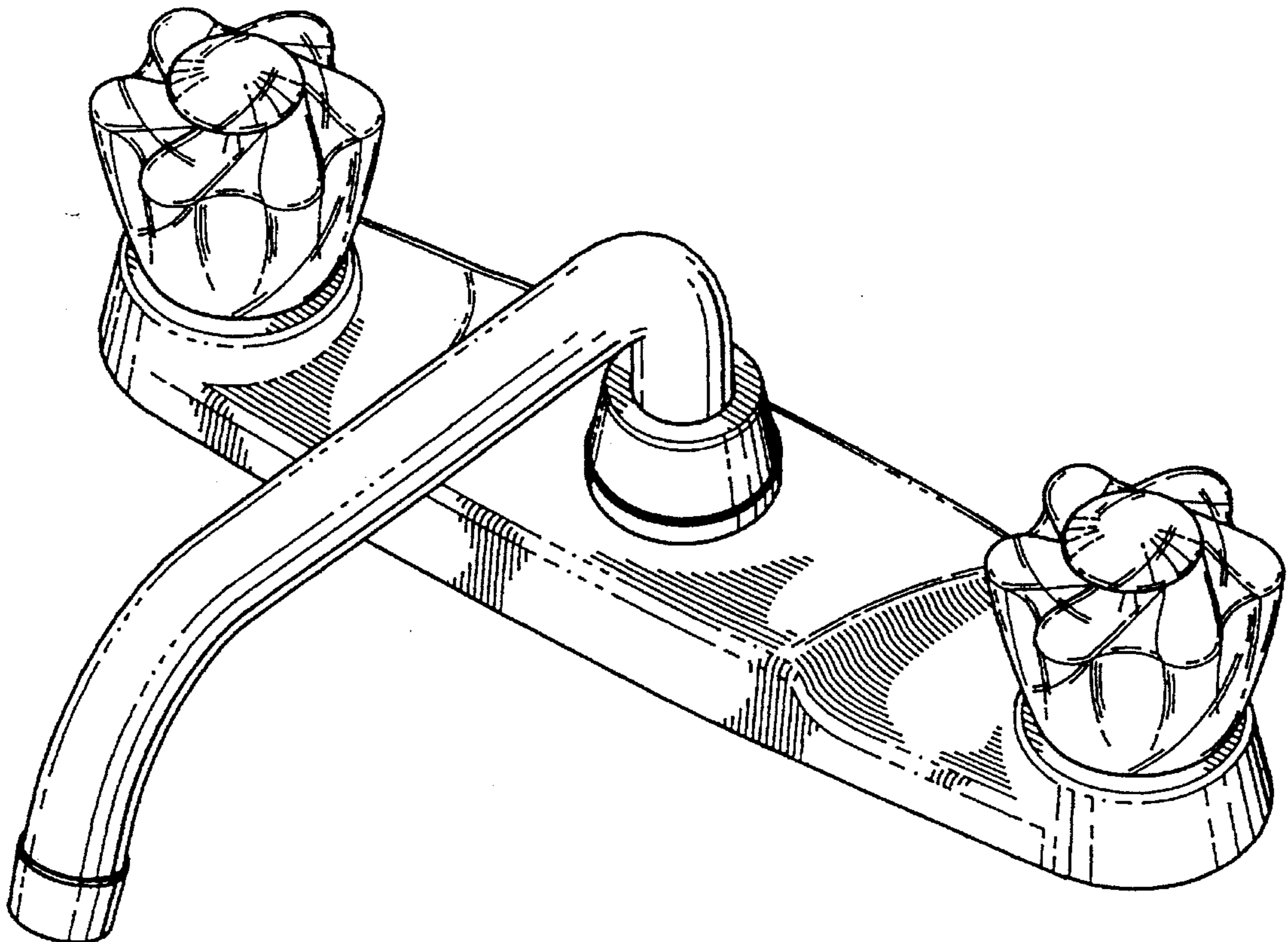
### [57] CLAIM

The ornamental design for a faucet, as shown and described.

### DESCRIPTION

FIG. 1 is a top perspective view of a faucet showing my new design;  
FIG. 2 is a front elevational view thereof;  
FIG. 3 is a rear elevational view thereof;  
FIG. 4 is a left side elevational view, the right side being a mirror image thereof;  
FIG. 5 is a top plan view thereof; and,  
FIG. 6 is a bottom plan view thereof.

**1 Claim, 3 Drawing Sheets**



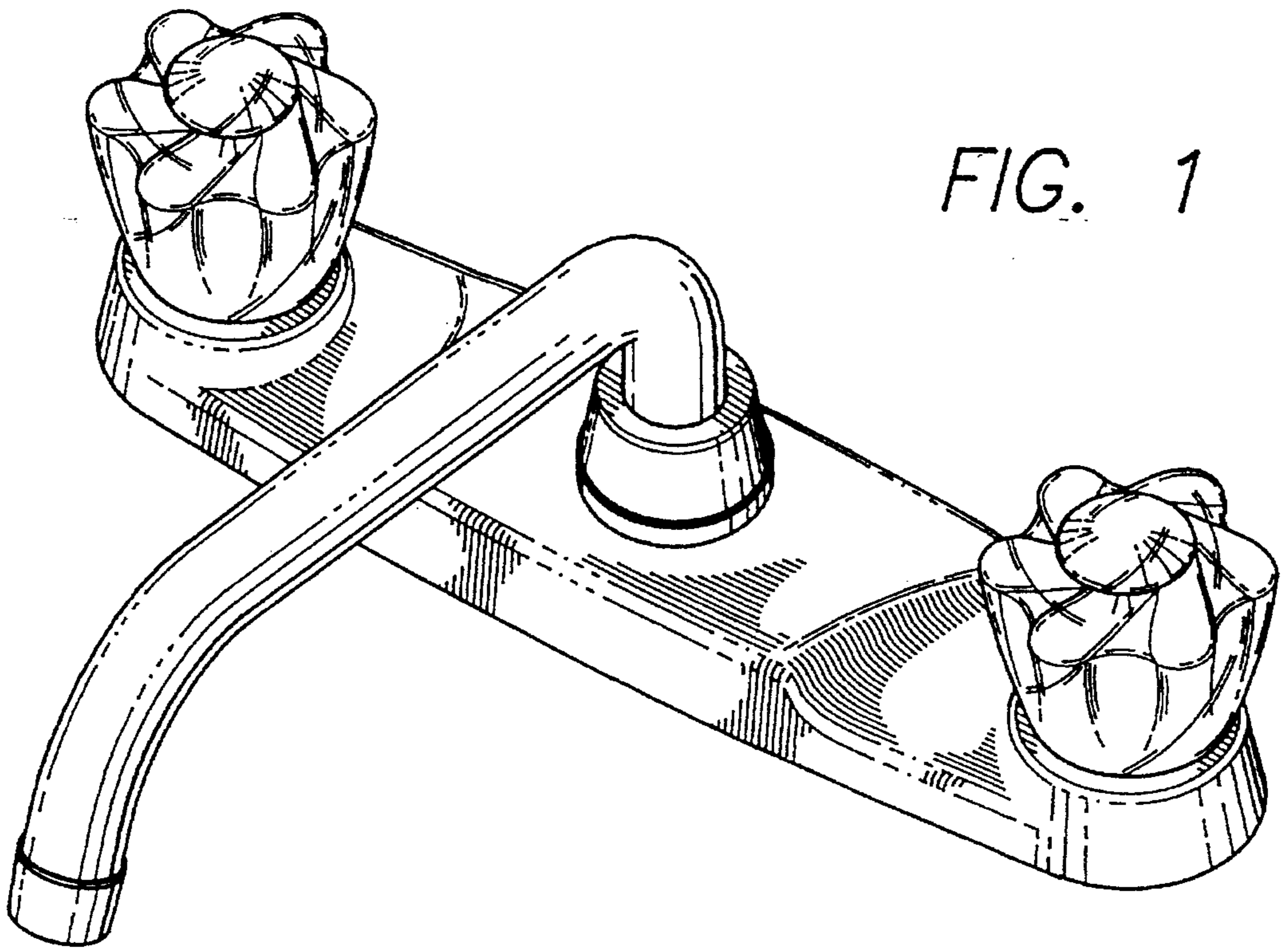


FIG. 1

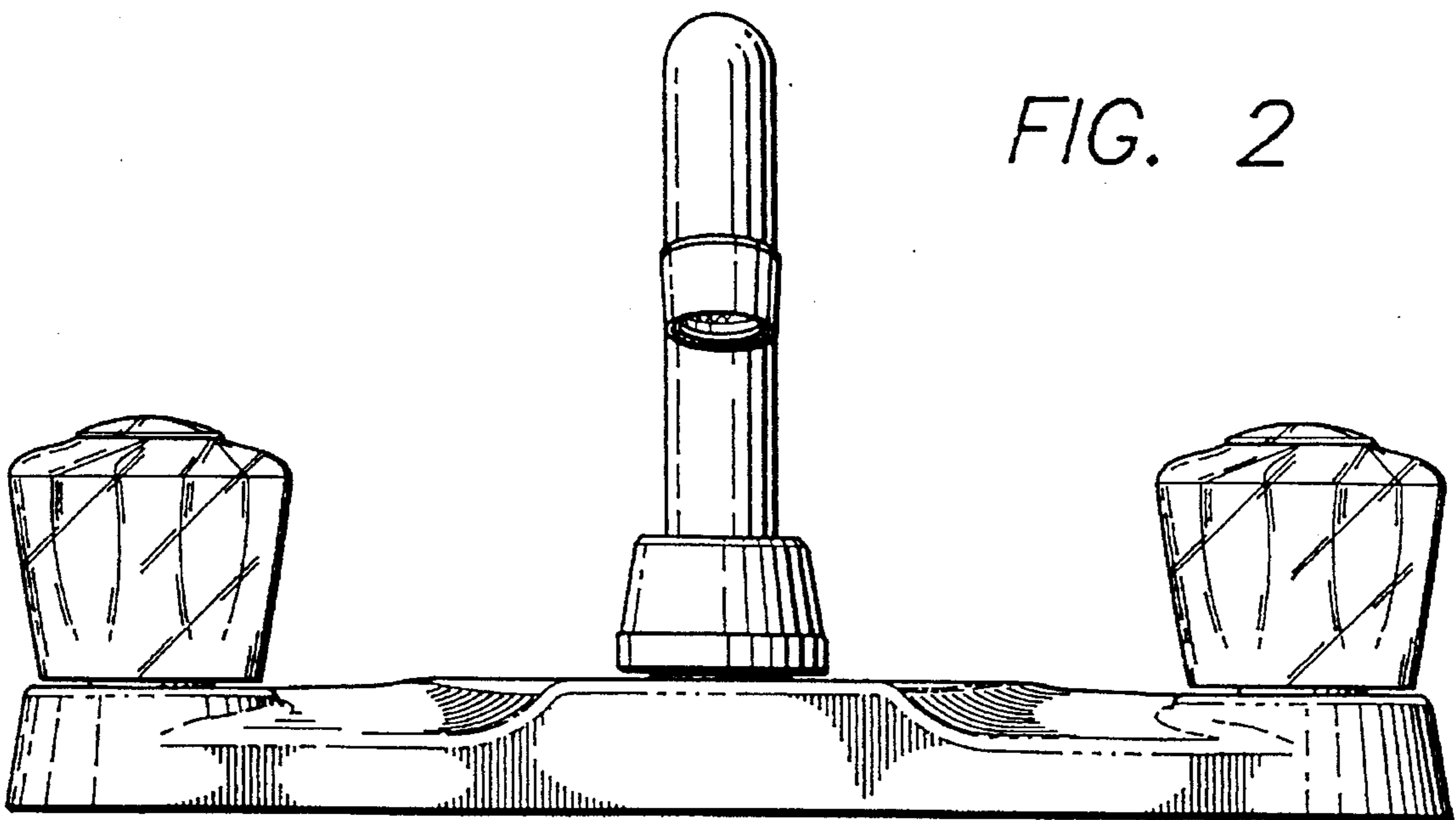


FIG. 2

FIG. 3

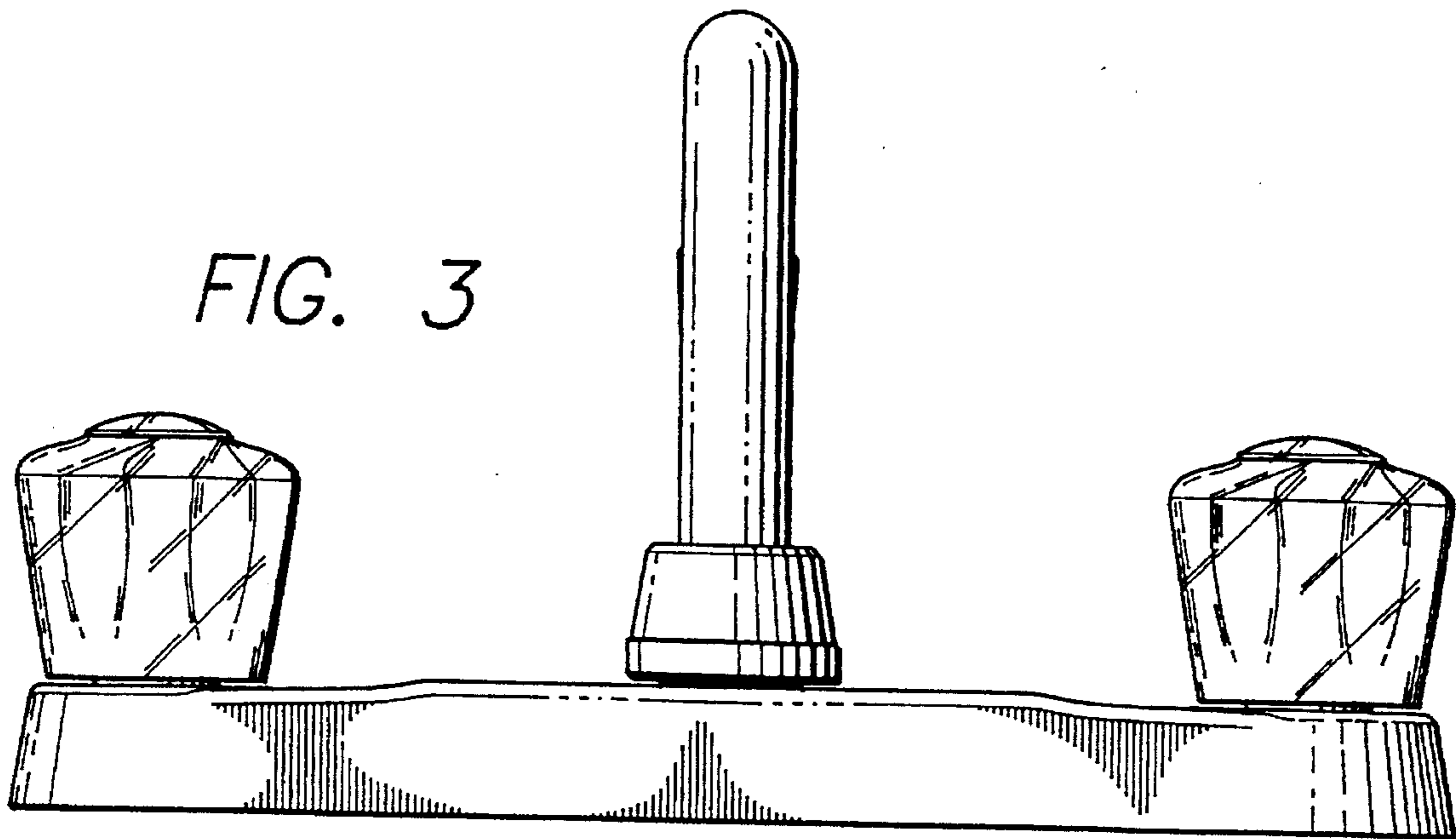
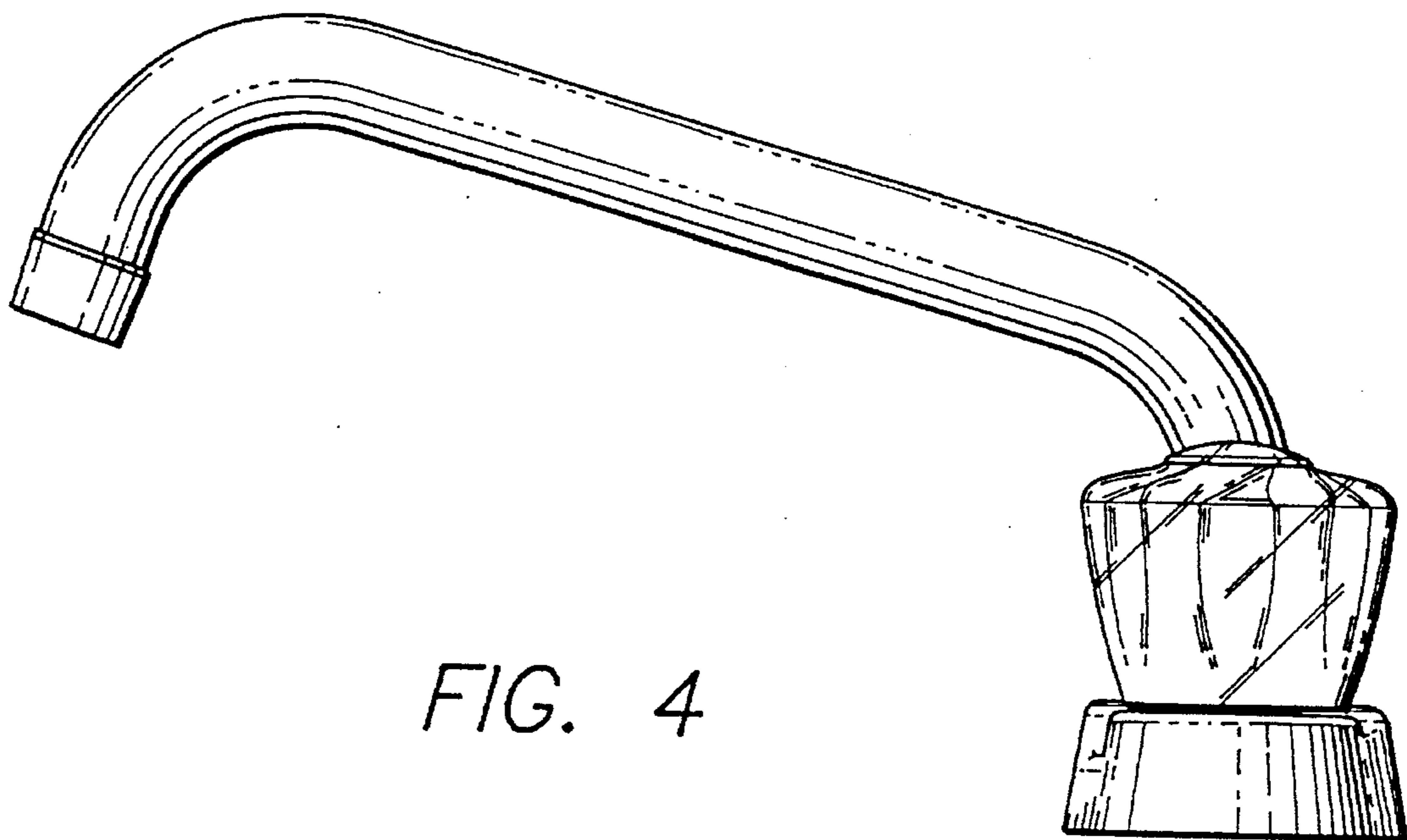


FIG. 4



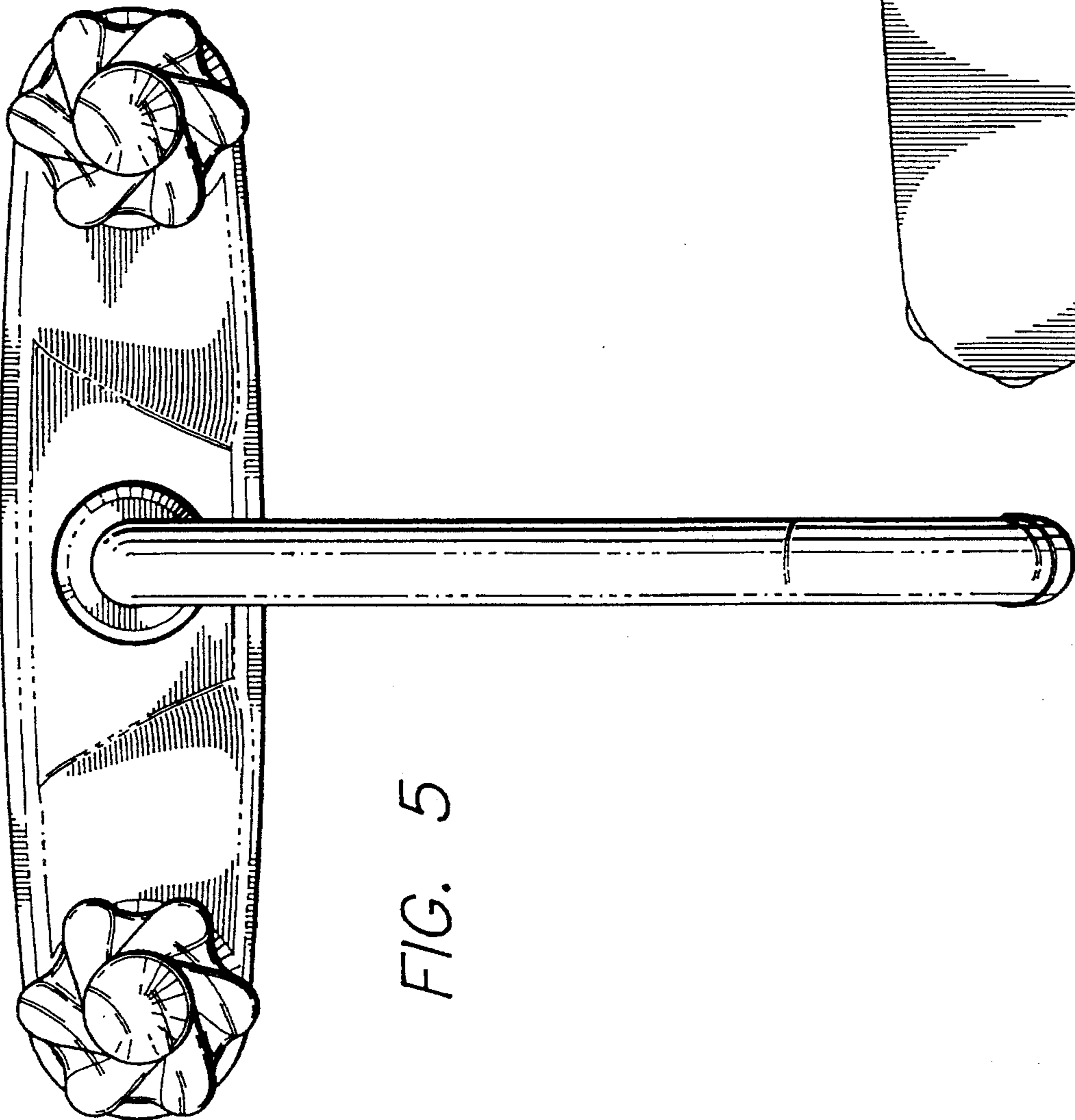


FIG. 5

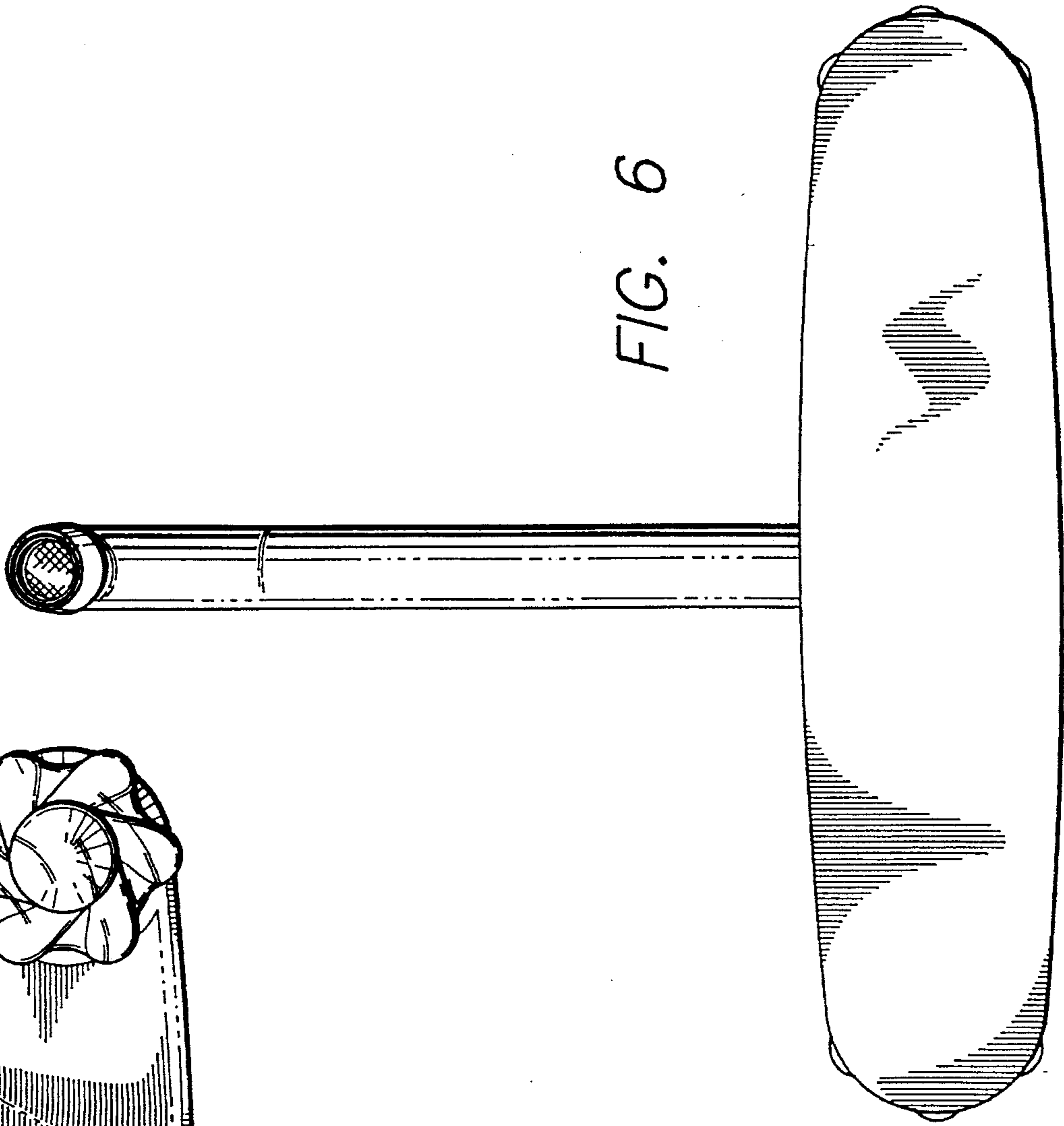


FIG. 6