



US00D375146S

United States Patent [19]

Doughty et al.

[11] Patent Number: **Des. 375,146**

[45] Date of Patent: ****Oct. 29, 1996**

[54] FAUCET

[75] Inventors: **Frederic C. Doughty**, S. Pasadena;
Darren M. Mark, Castaic, both of Calif.

[73] Assignee: **Emhart Inc.**, Newark, Del.

[**] Term: **14 Years**

[21] Appl. No.: **44,391**

[22] Filed: **Sep. 22, 1995**

[52] U.S. Cl. **D23/243**

[58] Field of Search D23/238-243,
D23/250-257; 4/675-678; 137/801

[56] **References Cited**

U.S. PATENT DOCUMENTS

D. 144,249	3/1946	Hinderer	D23/243
D. 182,867	5/1958	Young	.	
D. 183,924	10/1962	Harty	D23/241
D. 207,044	2/1967	Hurwitz	.	
D. 221,429	8/1971	Petterson	.	
D. 235,546	6/1975	Landell	.	
D. 258,519	3/1981	Thevenot	D23/243

D. 260,677	9/1981	Thevenot	.	
D. 265,233	6/1982	Ronvik	.	
D. 279,403	6/1985	Doman	.	
D. 279,923	7/1985	Niemann et al.	D23/255
D. 287,270	12/1986	Yost	.	
D. 290,494	6/1987	Dragos	.	
D. 340,506	10/1993	Souter et al.	.	
D. 359,342	6/1995	Doughty et al.	.	

Primary Examiner—Stella Reid
Assistant Examiner—Eric Watterson
Attorney, Agent, or Firm—J. Bruce Hoofnagle

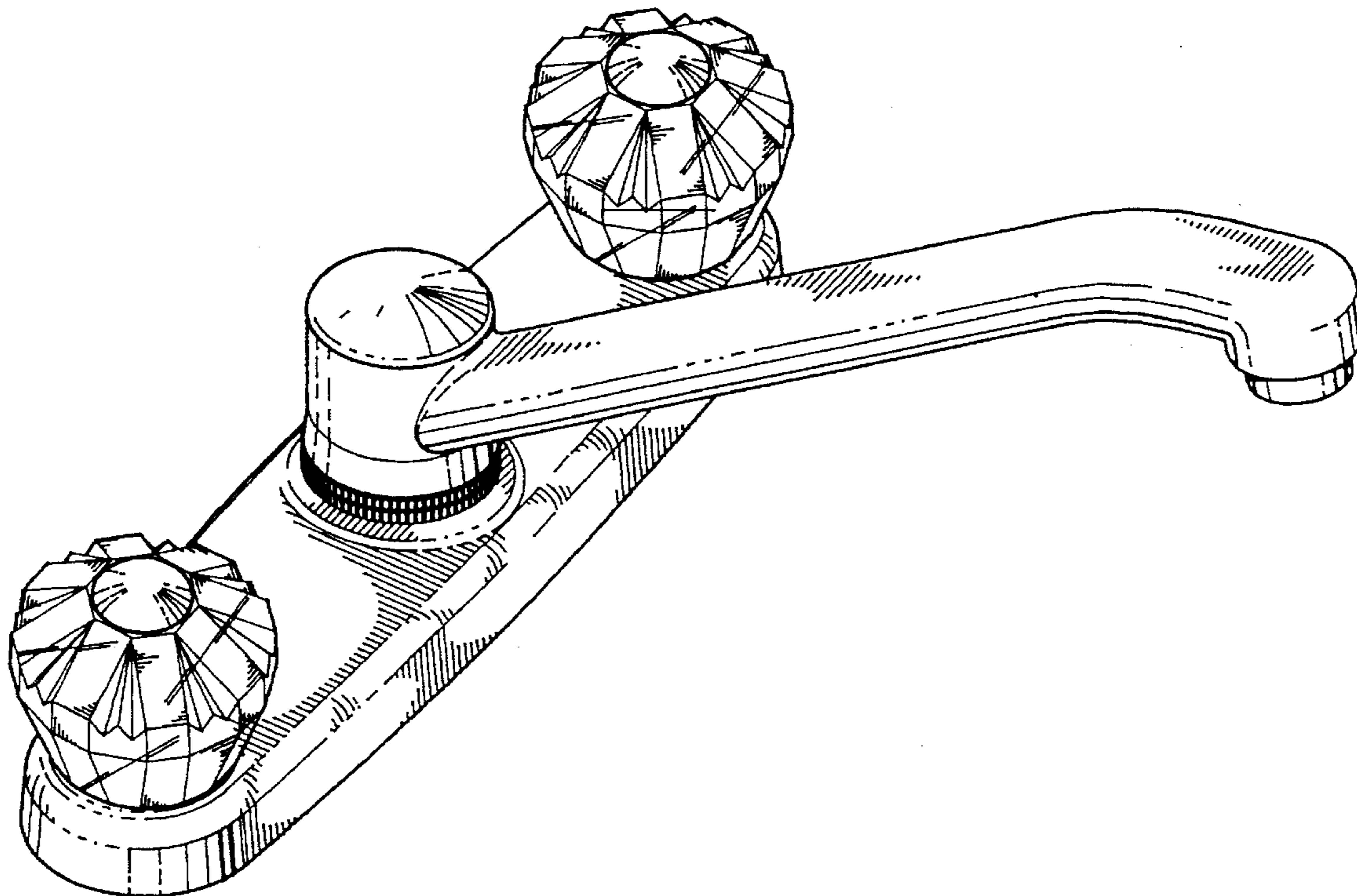
[57] **CLAIM**

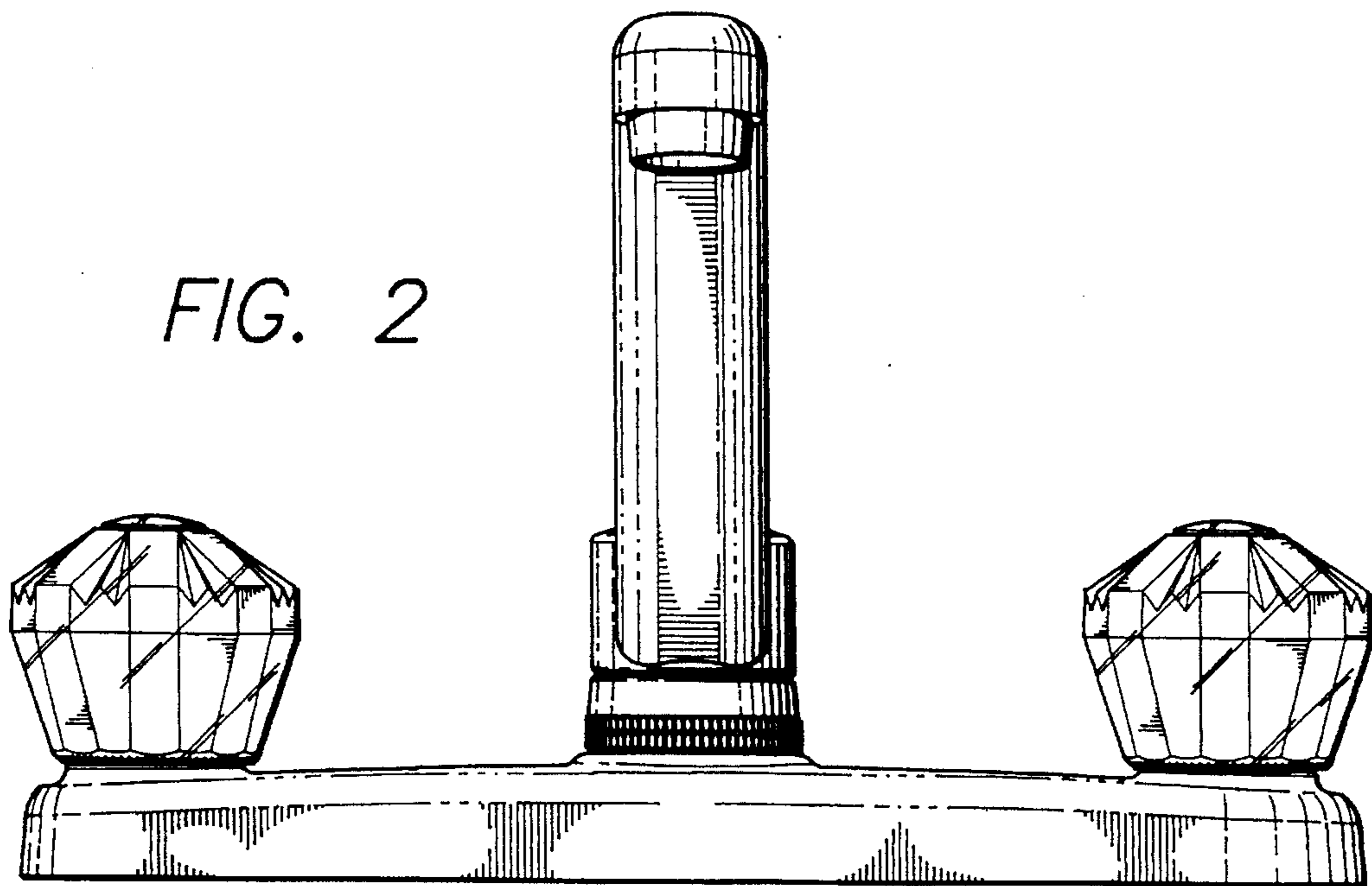
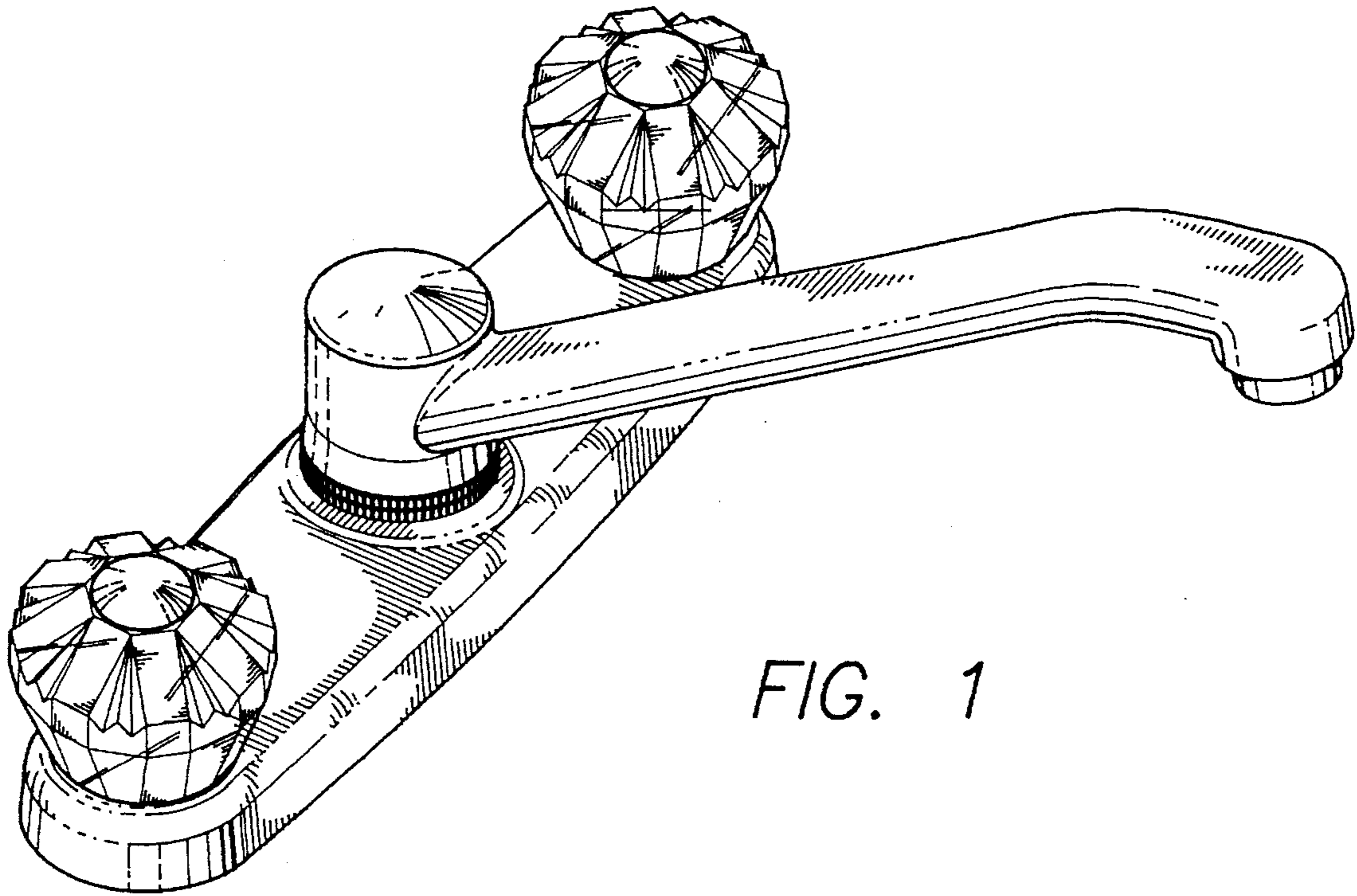
The ornamental design for a faucet, as shown and described.

DESCRIPTION

FIG. 1 is a top perspective view of a faucet showing my new design;
FIG. 2 is a front elevational view thereof;
FIG. 3 is a rear elevational view thereof;
FIG. 4 is a left side elevational view, the right side being a mirror image thereof;
FIG. 5 is a top plan view thereof; and,
FIG. 6 is a bottom plan view thereof.

1 Claim, 3 Drawing Sheets





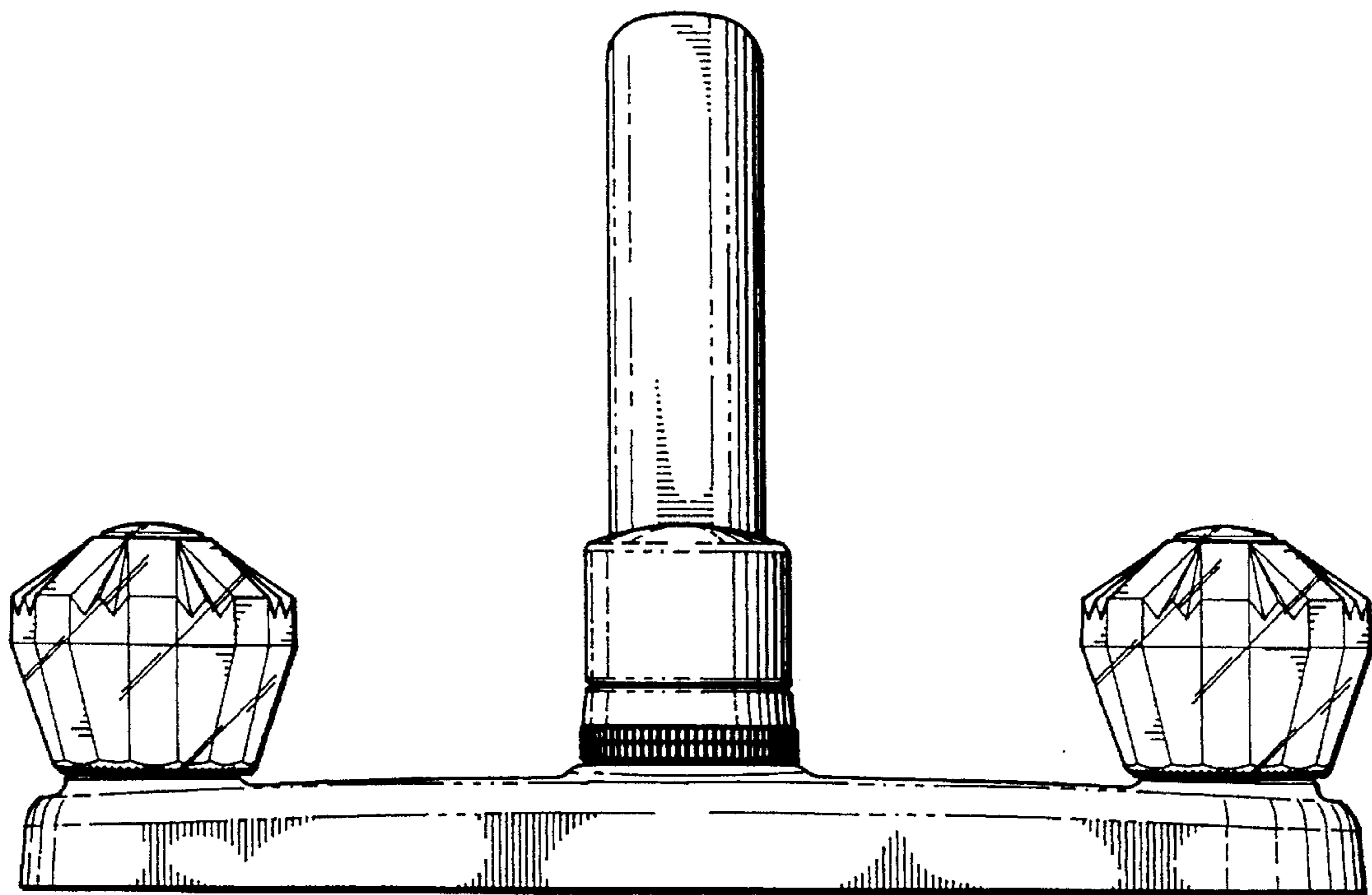


FIG. 3

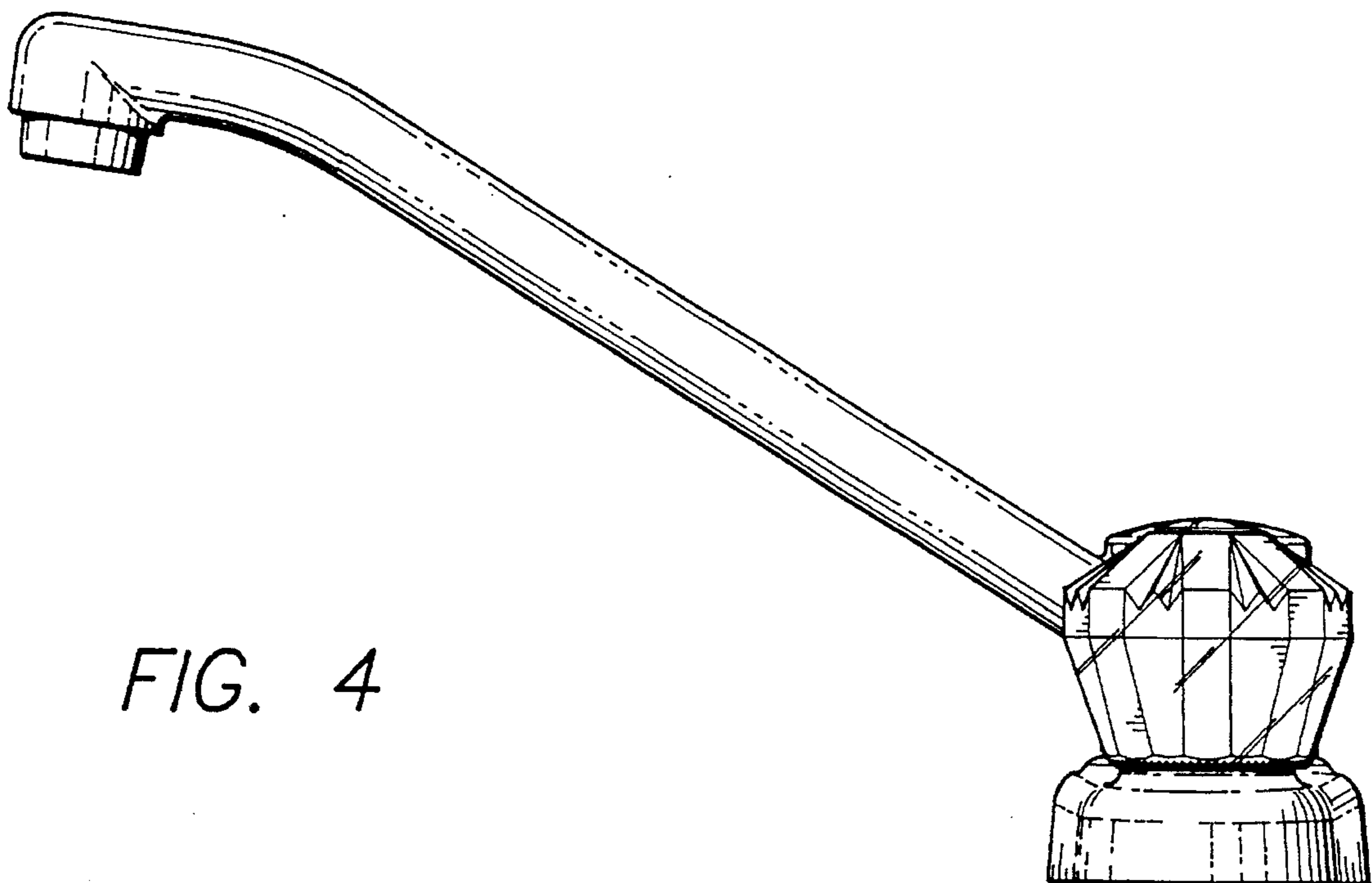


FIG. 4

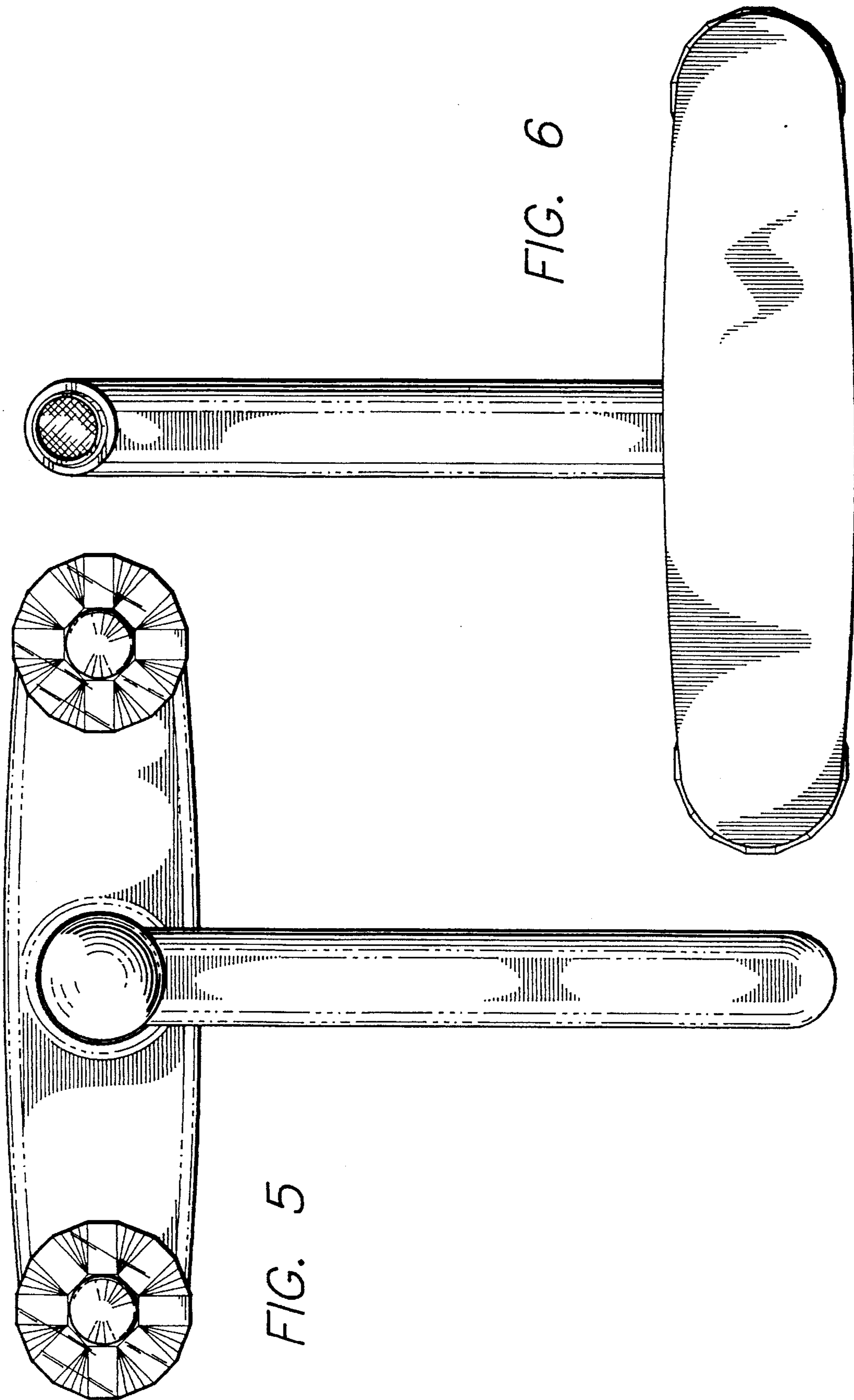


FIG. 6

FIG. 5