



US00D375143S

United States Patent [19]

Doughty et al.

[11] Patent Number: **Des. 375,143**

[45] Date of Patent: ****Oct. 29, 1996**

[54] FAUCET

[75] Inventors: **Frederic C. Doughty**, S. Pasadena;
Darren M. Mark, Castaic, both of Calif.

[73] Assignee: **Emhart Inc.**, Newark, Del.

[**] Term: **14 Years**

[21] Appl. No.: **44,304**

[22] Filed: **Sep. 22, 1995**

[52] U.S. Cl. **D23/243**

[58] Field of Search **D23/238-243,**
D23/250-257; 4/675-678; 137/801

[56] **References Cited**

U.S. PATENT DOCUMENTS

- D. 144,249 3/1946 Hinderer D23/243
- D. 193,924 10/1962 Harty D23/241
- D. 197,455 2/1964 Mackay .
- D. 221,429 8/1971 Petterson .
- D. 235,546 6/1975 Landell .

- D. 258,519 3/1981 Thevenot D23/243
- D. 279,923 7/1985 Niemann et al. D23/255
- D. 288,837 3/1987 Yost .
- D. 340,506 10/1993 Sauter et al. .
- D. 359,342 6/1995 Doughty .

Primary Examiner—Stella Reid
Assistant Examiner—Eric Watterson
Attorney, Agent, or Firm—J. Bruce Hoofnagle

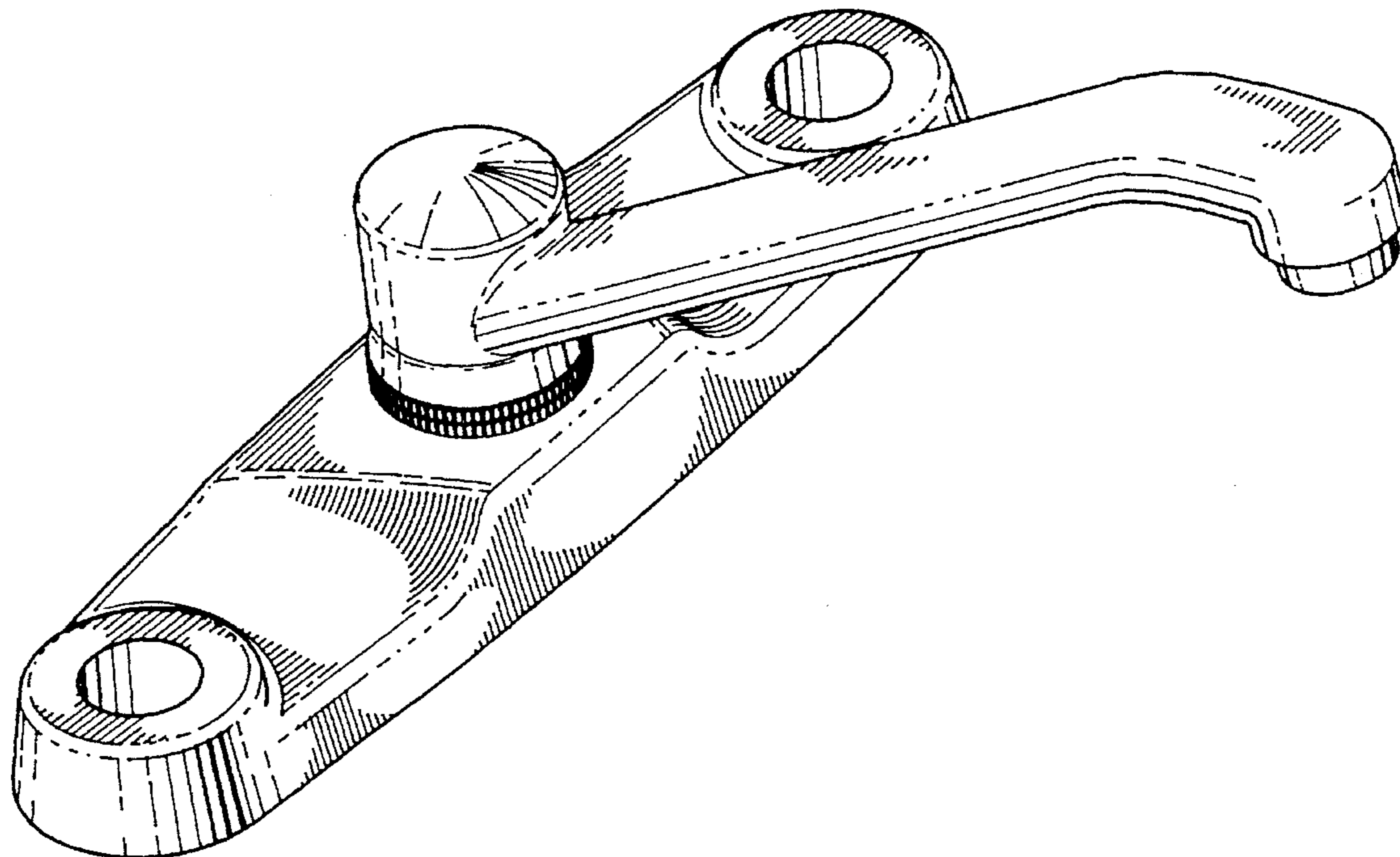
[57] **CLAIM**

The ornamental design for a faucet, as shown and described.

DESCRIPTION

FIG. 1 is a top perspective view of a faucet showing my new design;
FIG. 2 is a front elevational view thereof;
FIG. 3 is a rear elevational view thereof;
FIG. 4 is a left side elevational view, the right side being a mirror image thereof;
FIG. 5 is a top plan view thereof; and,
FIG. 6 is a bottom plan view thereof.

1 Claim, 3 Drawing Sheets



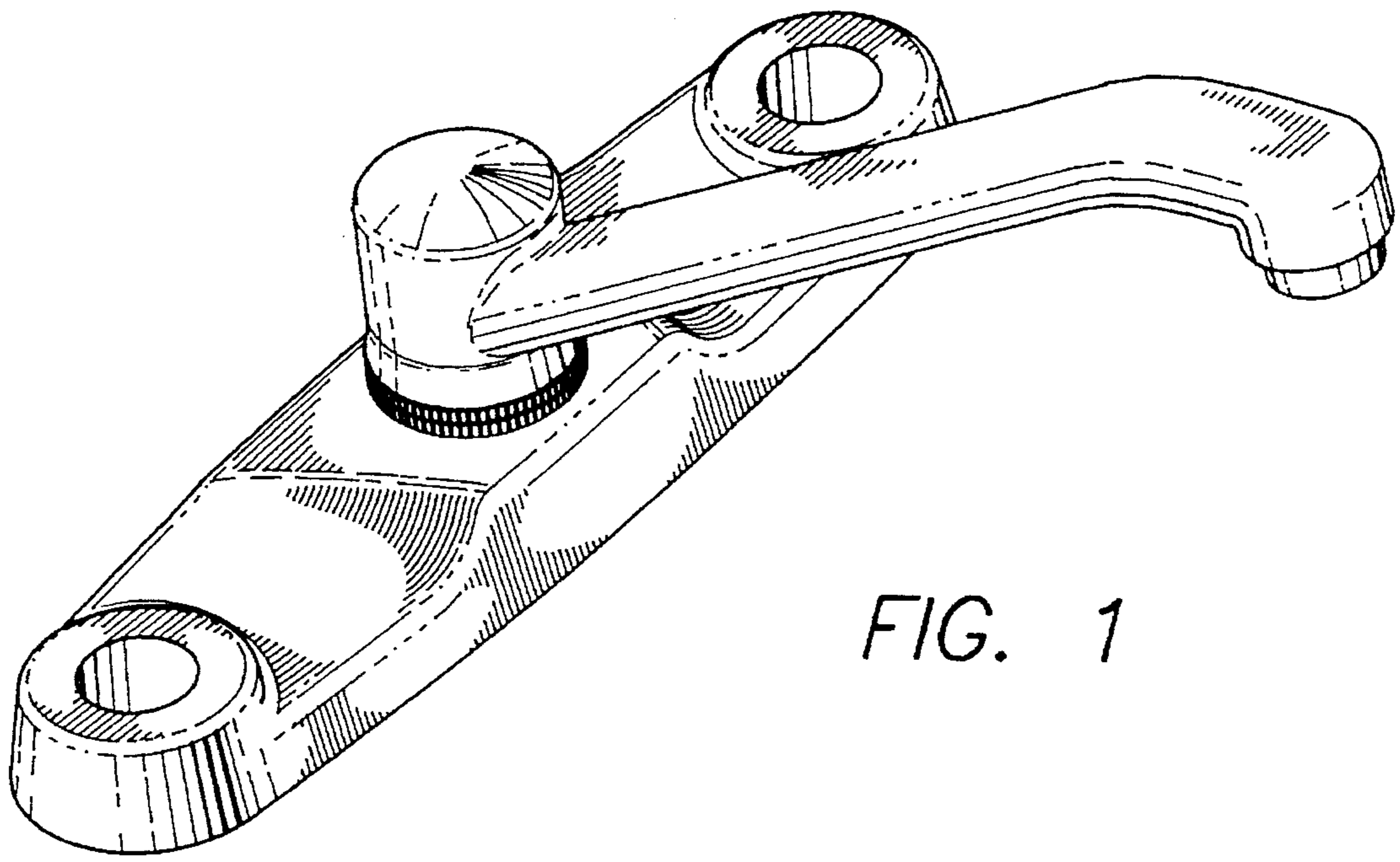


FIG. 1

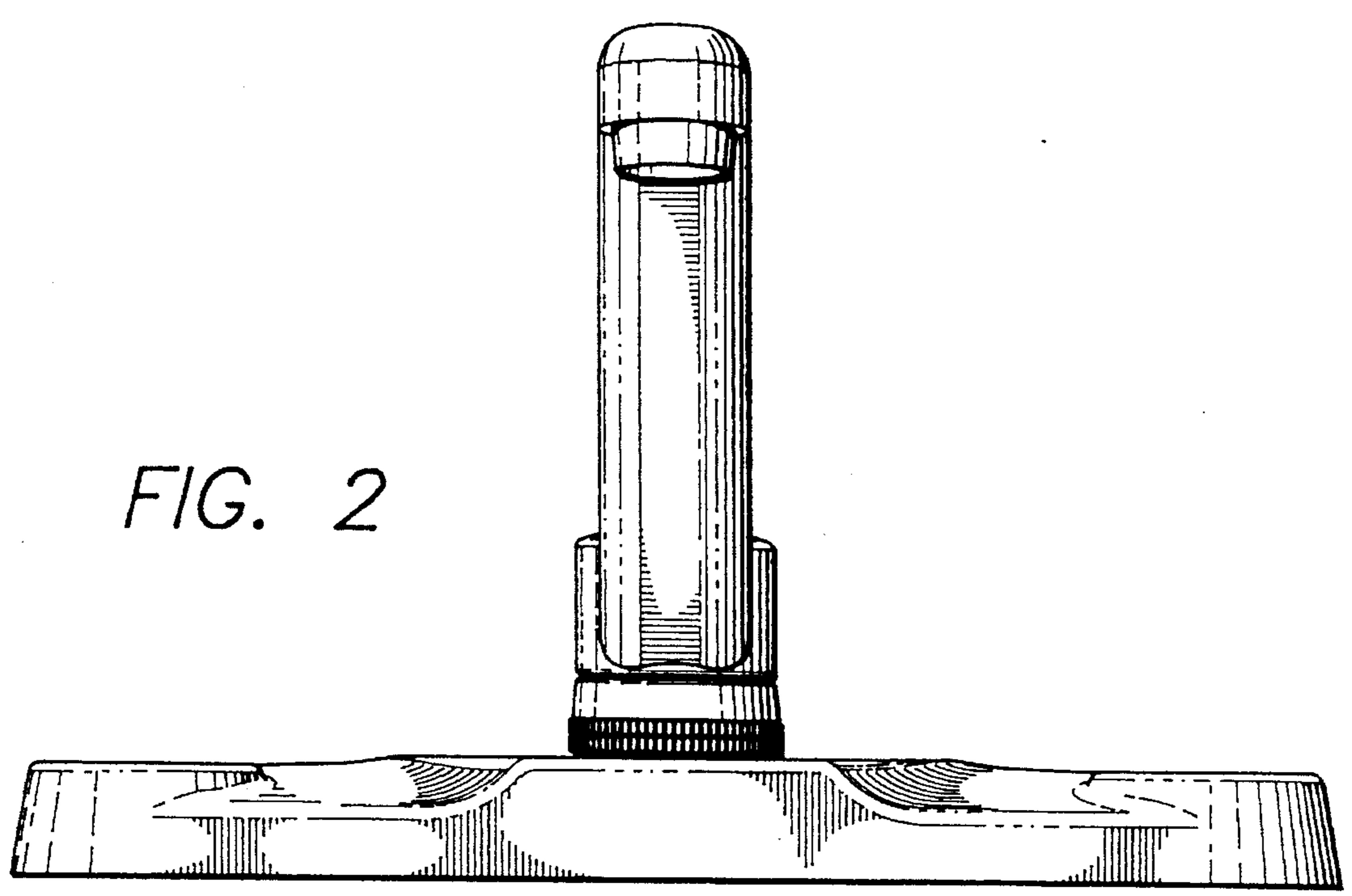


FIG. 2

FIG. 3

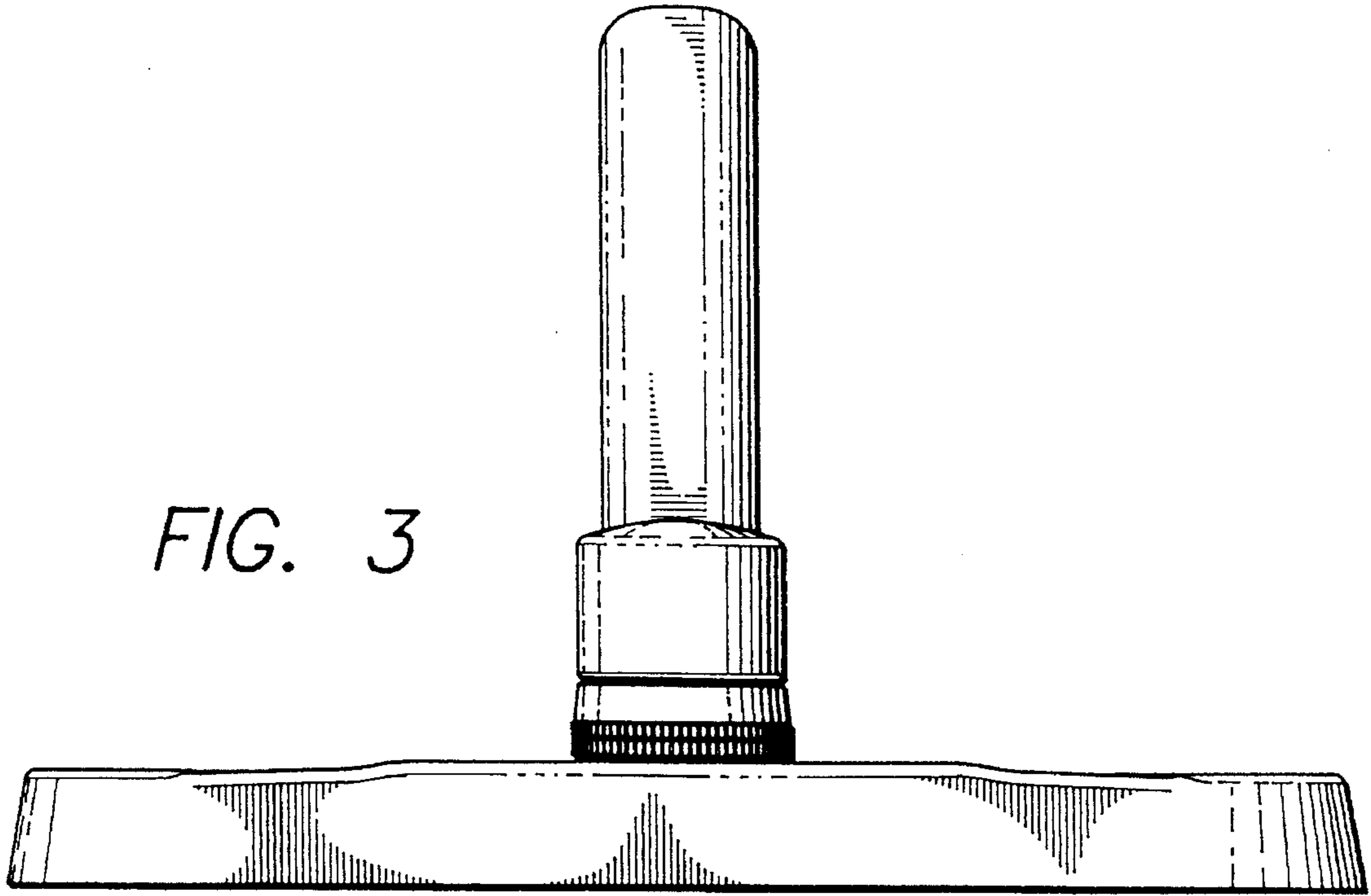
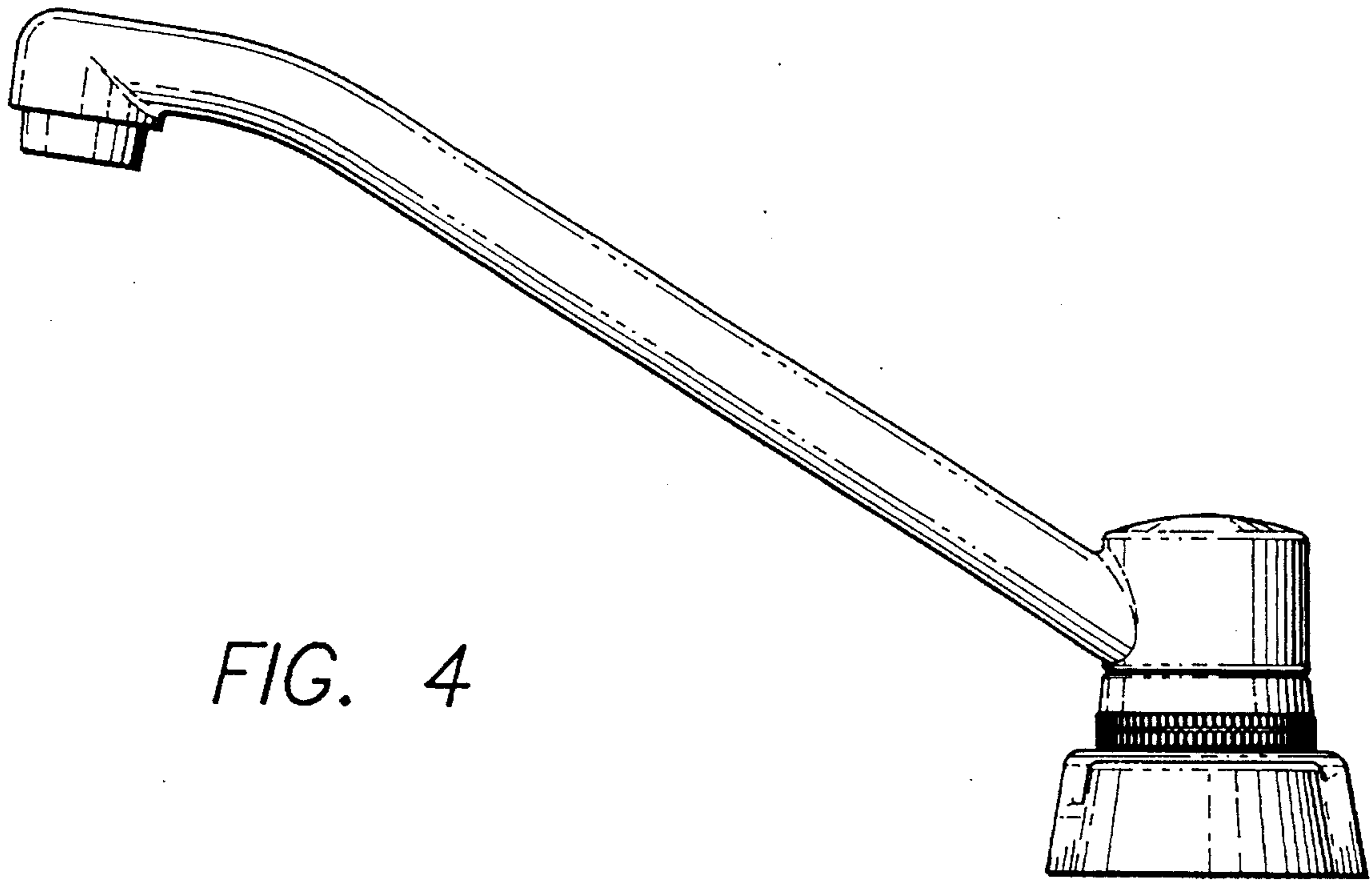


FIG. 4



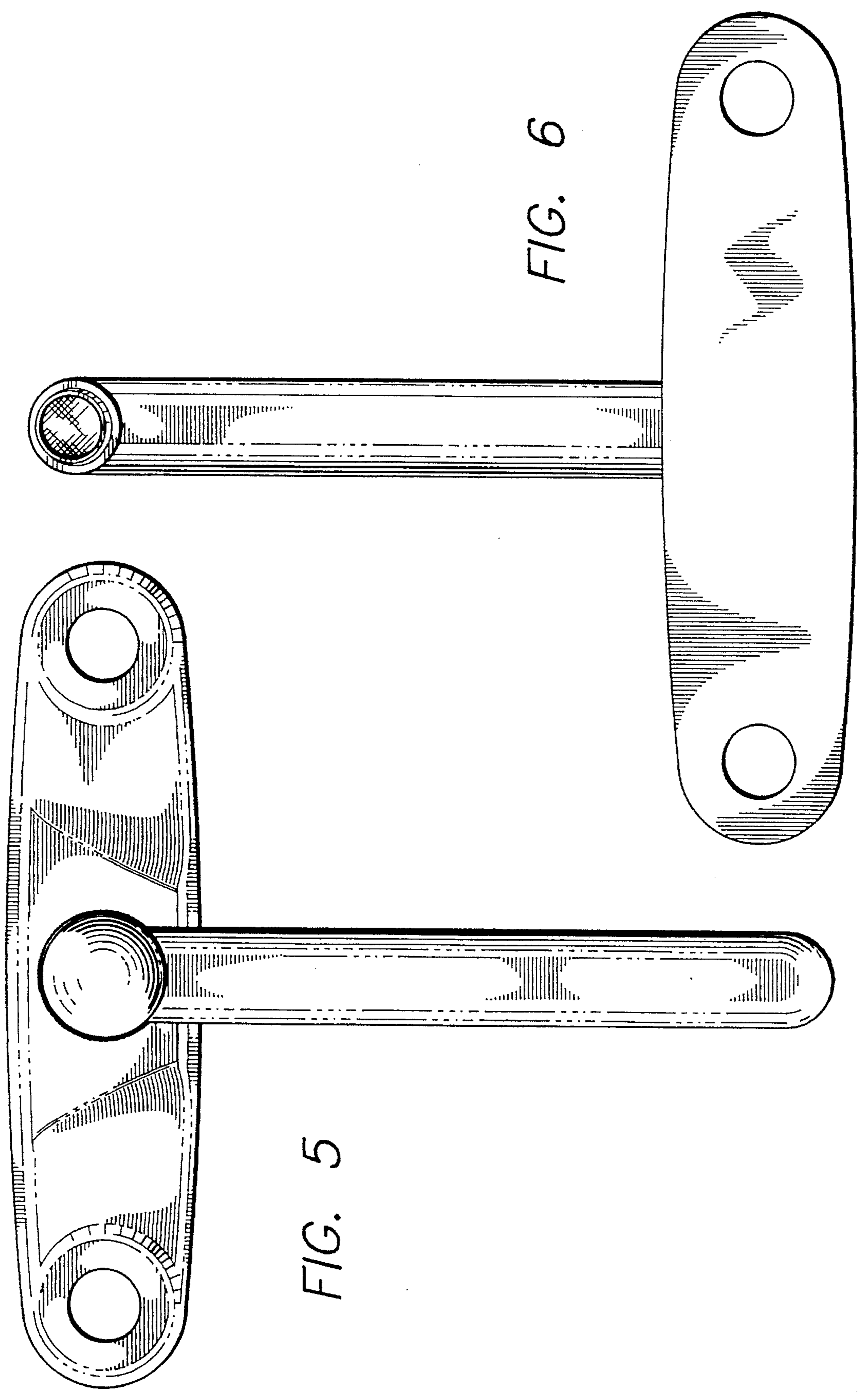


FIG. 5

FIG. 6