



US00D375140S

United States Patent [19]

Chan

[11] Patent Number: **Des. 375,140**

[45] Date of Patent: ****Oct. 29, 1996**

[54] **WALL MOUNT SHOWER HEAD WITH A PUSH BUTTON**

2,000,792 5/1935 Schmiedeknecht 239/460
3,065,917 11/1952 Fraser 239/460

[75] Inventor: **Raymond W. M. Chan**, Vancouver, Canada

Primary Examiner—A. Hugo Word
Assistant Examiner—Robin V. Taylor
Attorney, Agent, or Firm—Laff, Whitesel, Conte & Saret, Ltd.

[73] Assignee: **Jing Mei Industrial Limited**, Hong Kong

[57] CLAIM

[**] Term: **14 Years**

The ornamental design for a wall mount shower head with a push button, as shown and described.

[21] Appl. No.: **24,981**

DESCRIPTION

[22] Filed: **Jun. 24, 1994**

[52] U.S. Cl. **D23/213; D23/229**

[58] Field of Search **D23/213, 223-230; 239/276, 280-3, 288.5, 456-460, 443-9, 394, 525-8, 300-302**

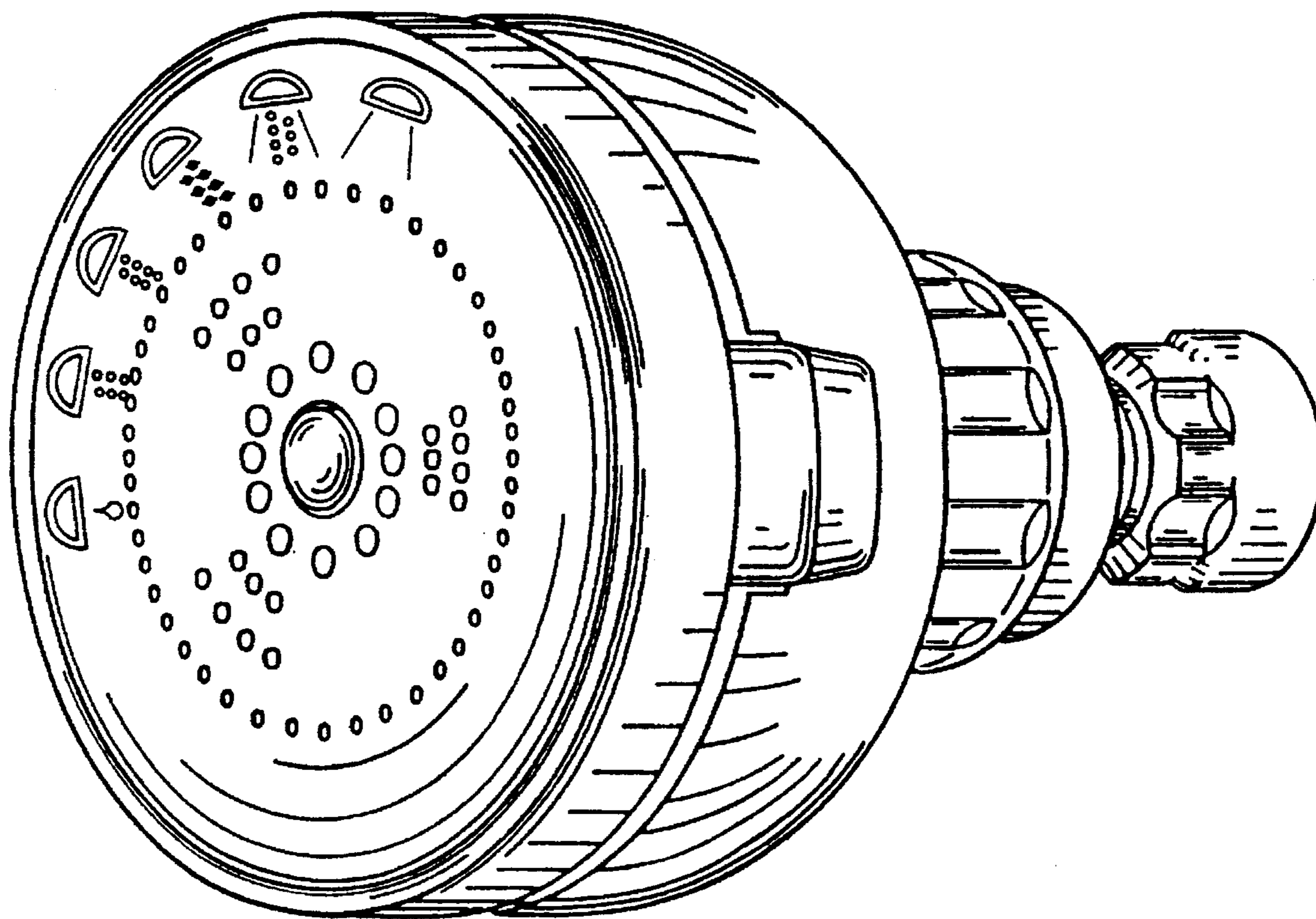
FIG. 1 is a top plan view of a wall mount shower head with a push button showing the new design; FIG. 2 is a front elevation view thereof; FIG. 3 is a left side elevation view thereof; FIG. 4 is a rear elevation view thereof; FIG. 5 is a right side elevation view thereof; FIG. 6 is a bottom plan view thereof; and, FIG. 7 is a perspective view of the inventive shower head.

[56] References Cited

U.S. PATENT DOCUMENTS

D. 351,016 9/1994 Warshawsky D23/213
D. 351,212 10/1994 Warshawsky D23/213

1 Claim, 4 Drawing Sheets



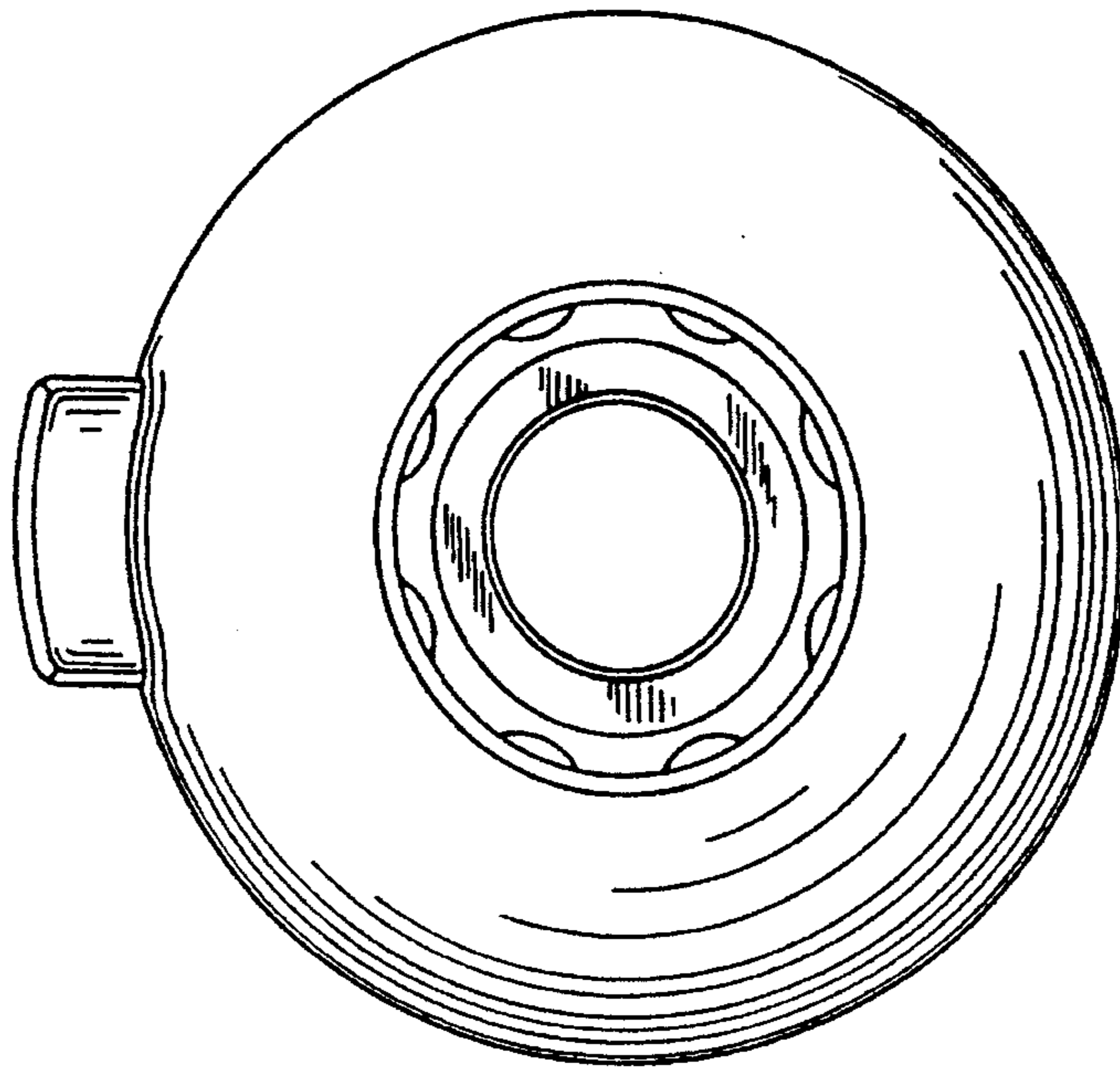


FIG. 1

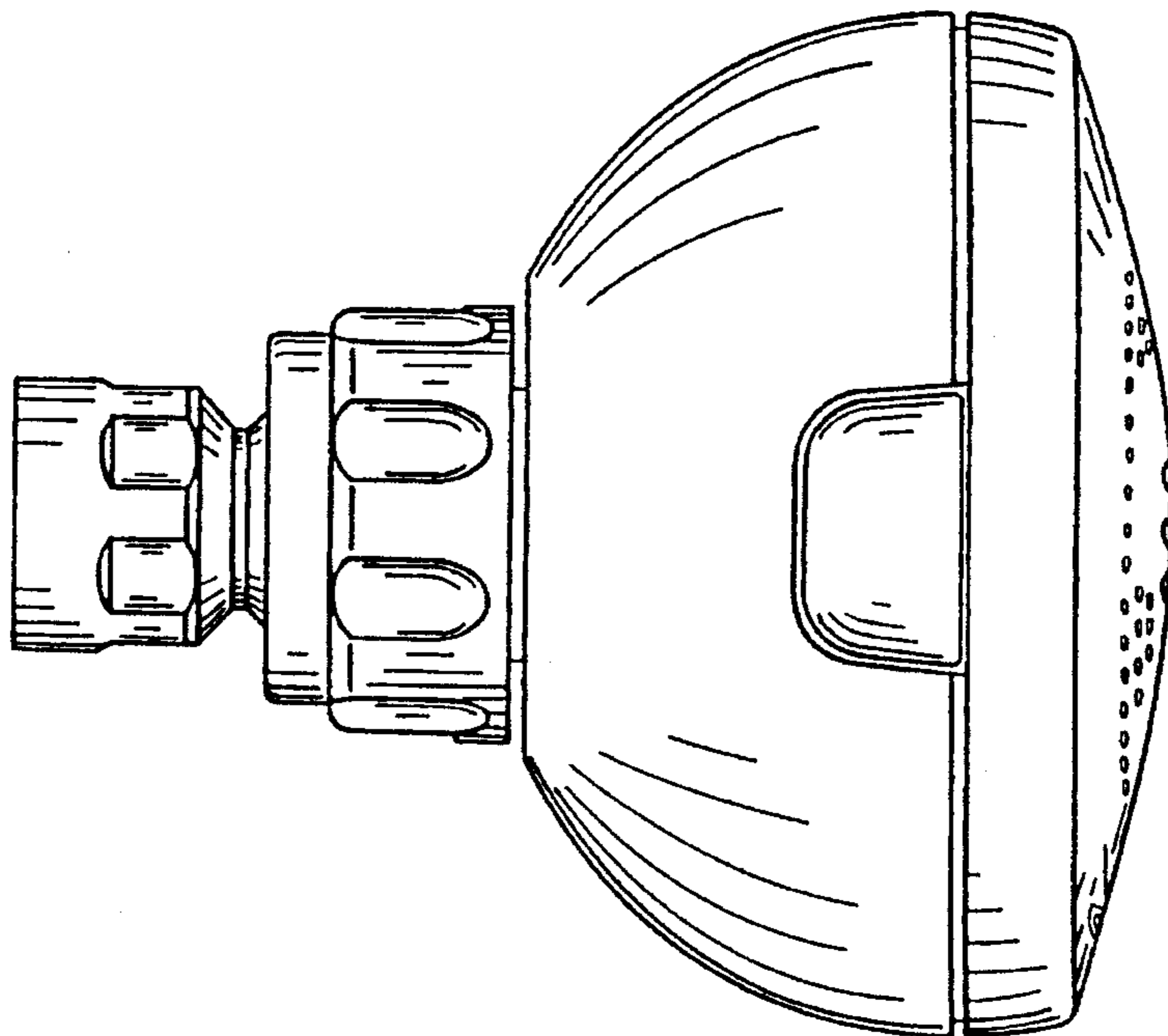


FIG. 2

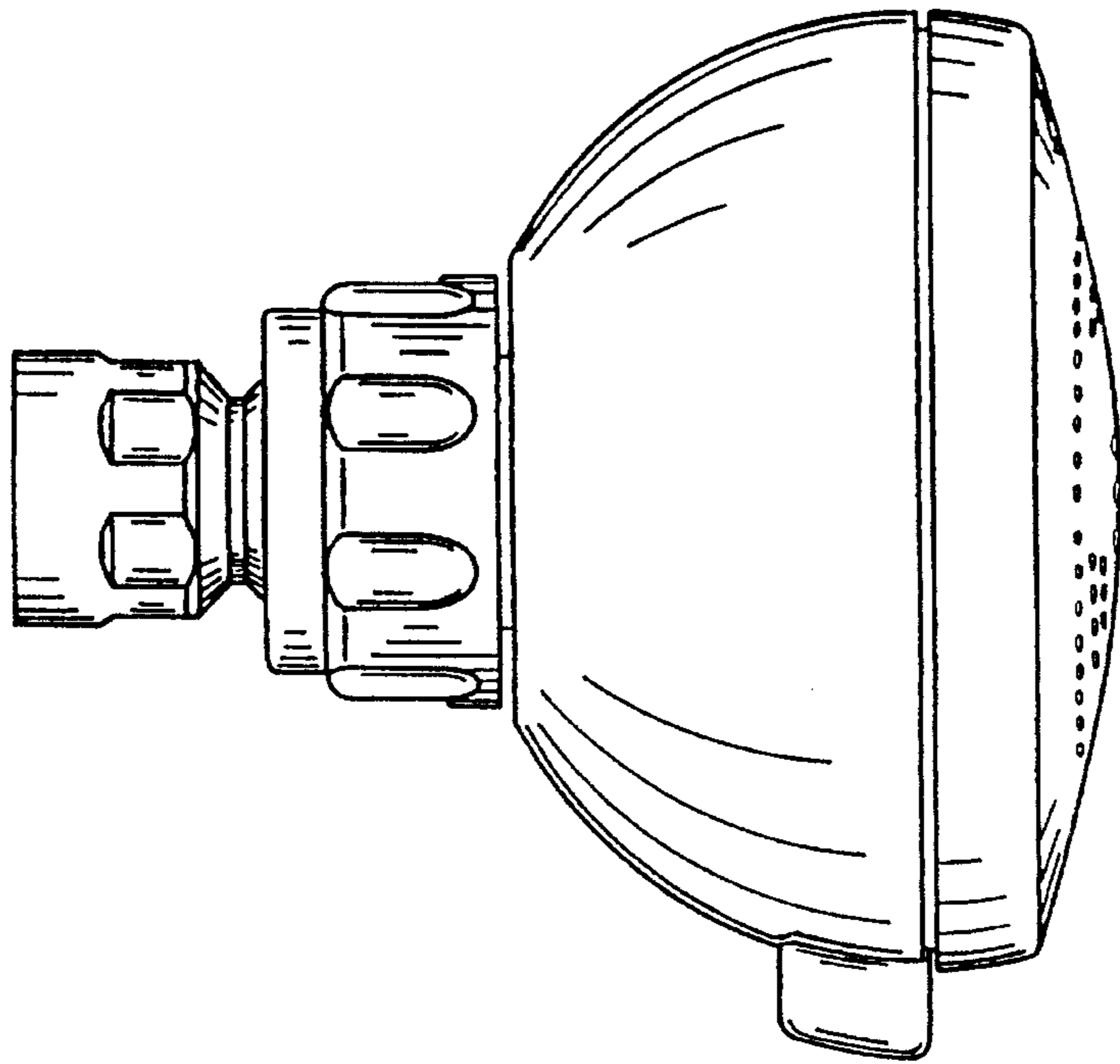


FIG. 3

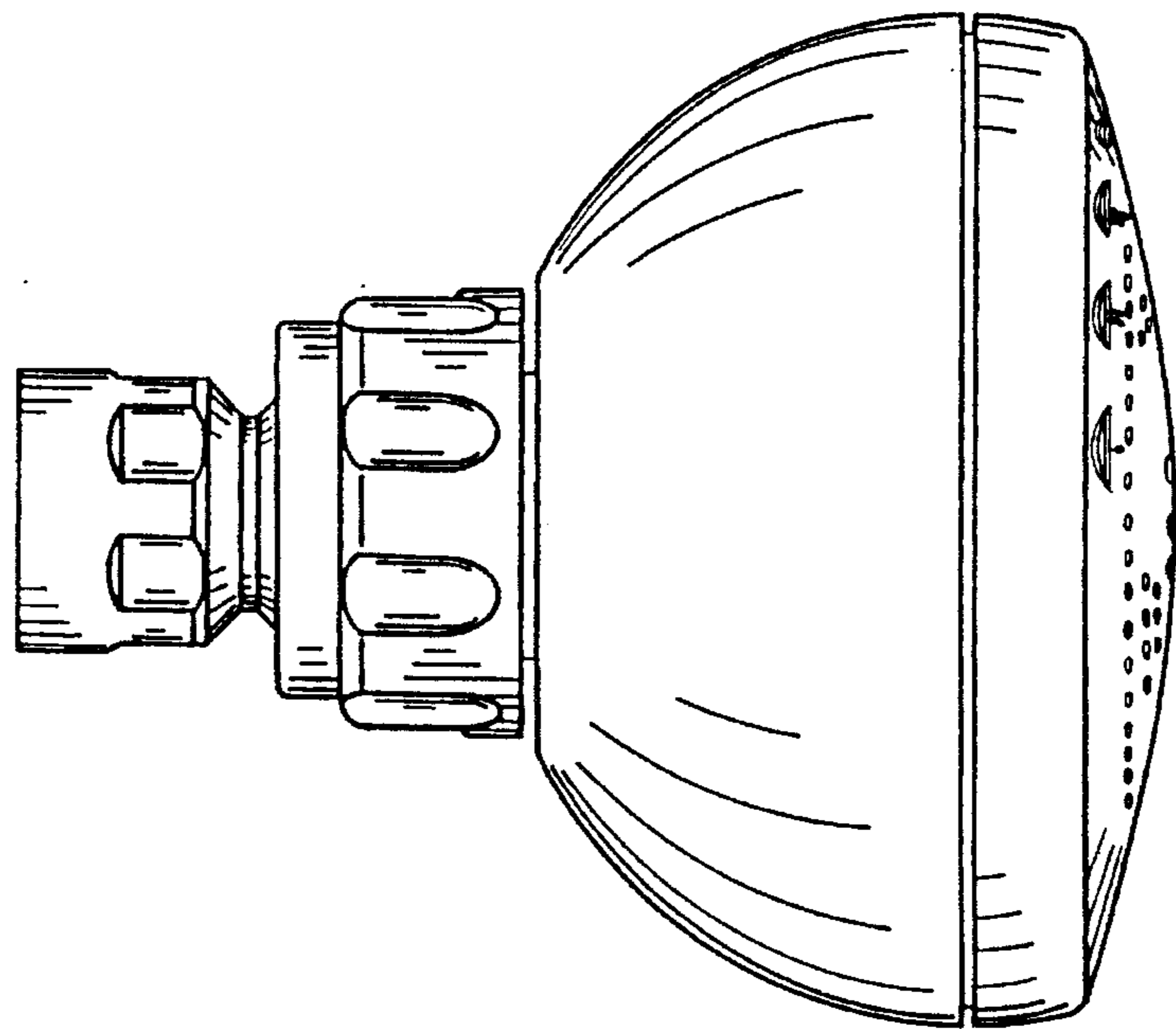


FIG. 4

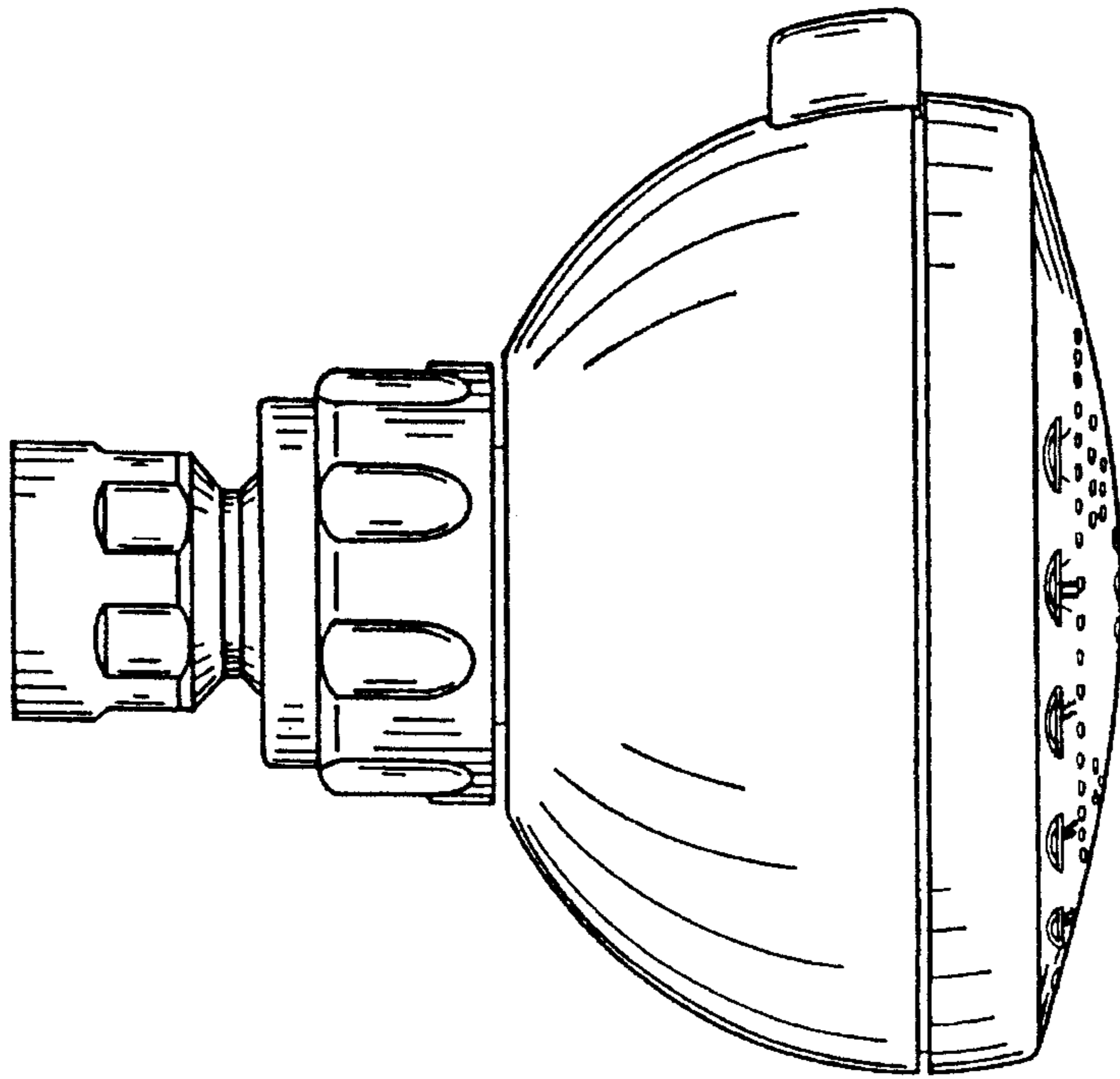


FIG. 5

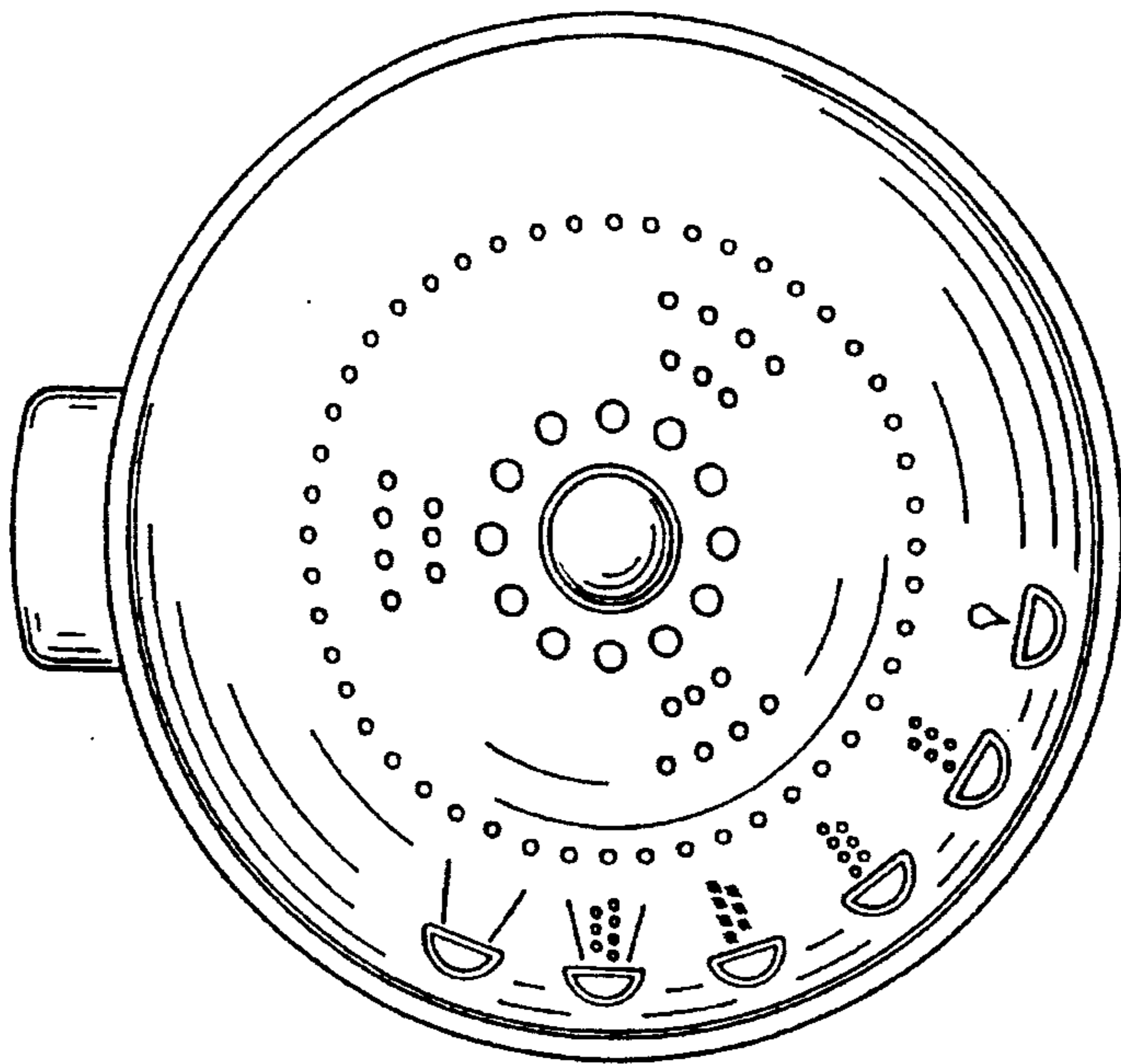


FIG. 6

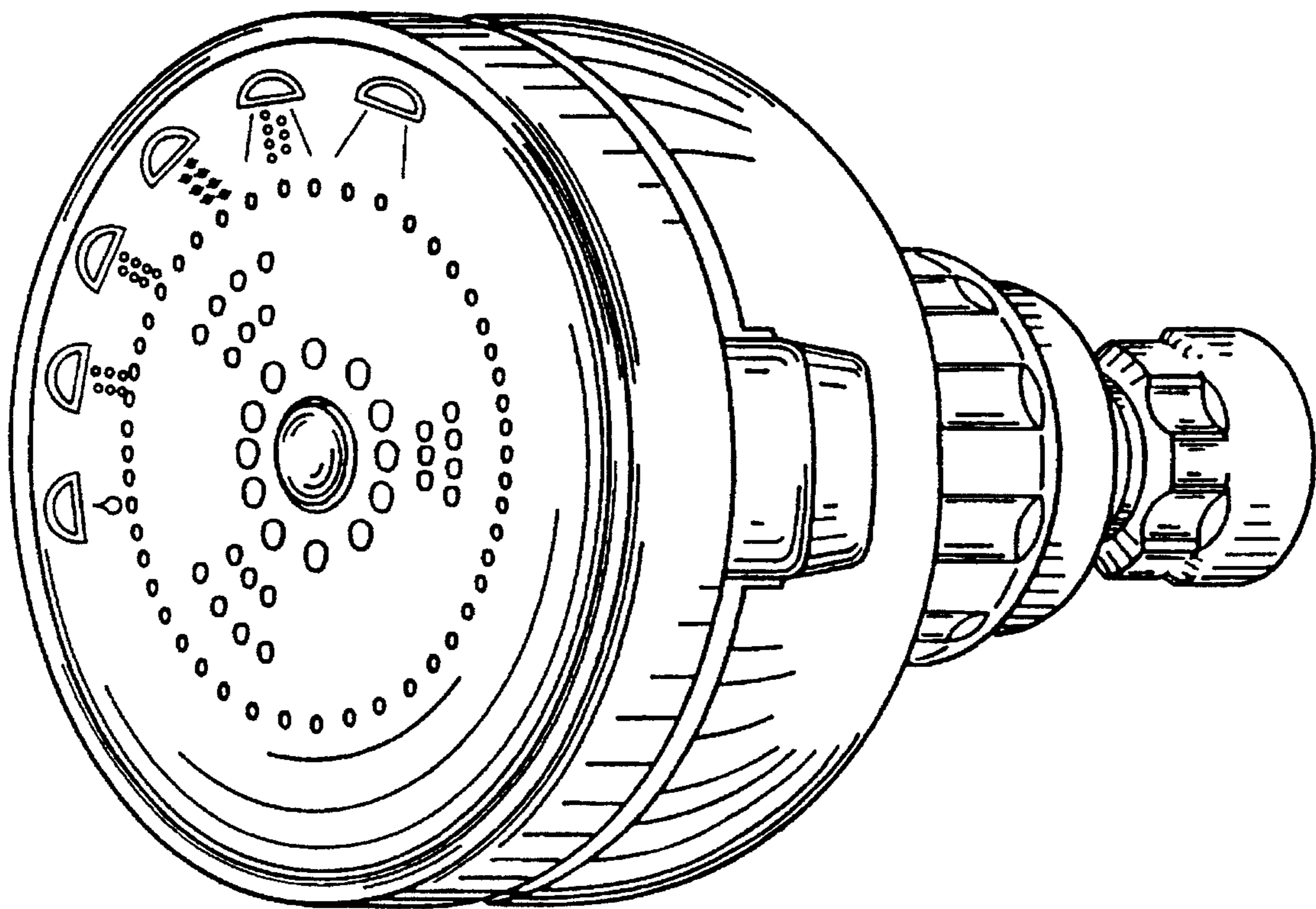


FIG. 7