



US00D375138S

United States Patent [19]
Anderson

[11] **Patent Number: Des. 375,138**
[45] **Date of Patent: *** Oct. 29, 1996**

[54] **POND FILTER**

[76] Inventor: **James L. Anderson**, 1105 Holly La.,
Burnsville, Minn. 55337

[*] Notice: The portion of the term of this patent
subsequent to Jul. 2, 2010, has been dis-
claimed.

[**] Term: **14 Years**

[21] Appl. No.: **39,183**

[22] Filed: **May 22, 1995**

[52] U.S. Cl. **D23/210; D23/209**

[58] Field of Search **D23/200, 209,**
D23/210; 210/167, 169, 416.1, 416.2, 448,
452

[56] **References Cited**

U.S. PATENT DOCUMENTS

D. 280,658 9/1985 Willinger D23/210
D. 307,461 4/1990 Kim D23/209

D. 340,505 10/1993 Anderson D23/209
4,552,657 11/1985 Ogawa 210/169
5,294,335 3/1994 Chiang 210/169

Primary Examiner—A. Hugo Word

Assistant Examiner—Robin U. Taylor

Attorney, Agent, or Firm—Nawrocki, Rooney & Sivertson,
P.A.

[57] **CLAIM**

The ornamental design for a pond filter, as shown and
described.

DESCRIPTION

FIG. 1 is a perspective view of a pond filter showing my new
design;

FIG. 2 is a top view thereof;

FIG. 3 is a bottom view thereof;

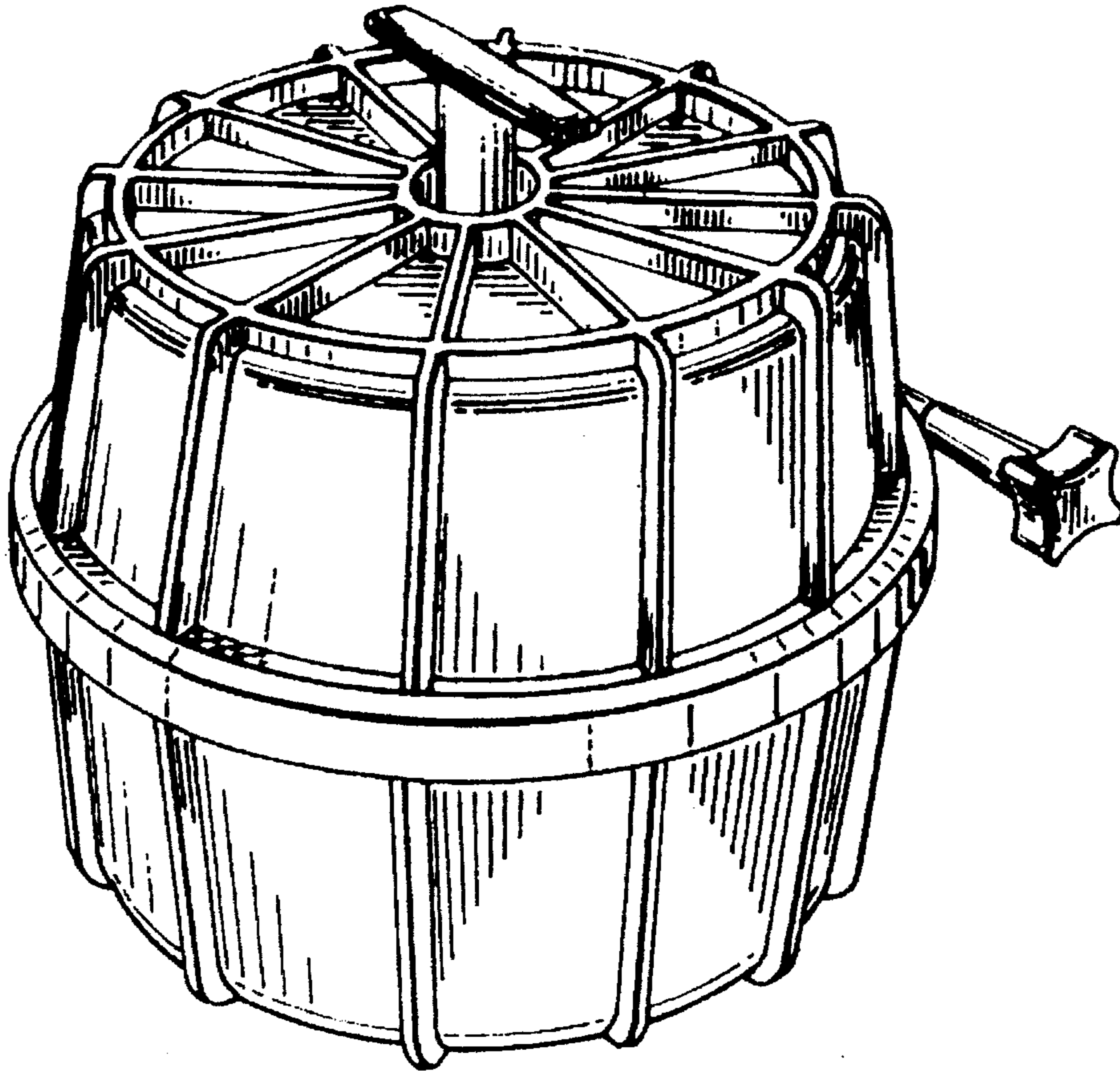
FIG. 4 is a front view thereof;

FIG. 5 is a right side view thereof;

FIG. 6 is a left side view thereof; and,

FIG. 7 is a back view thereof.

1 Claim, 2 Drawing Sheets



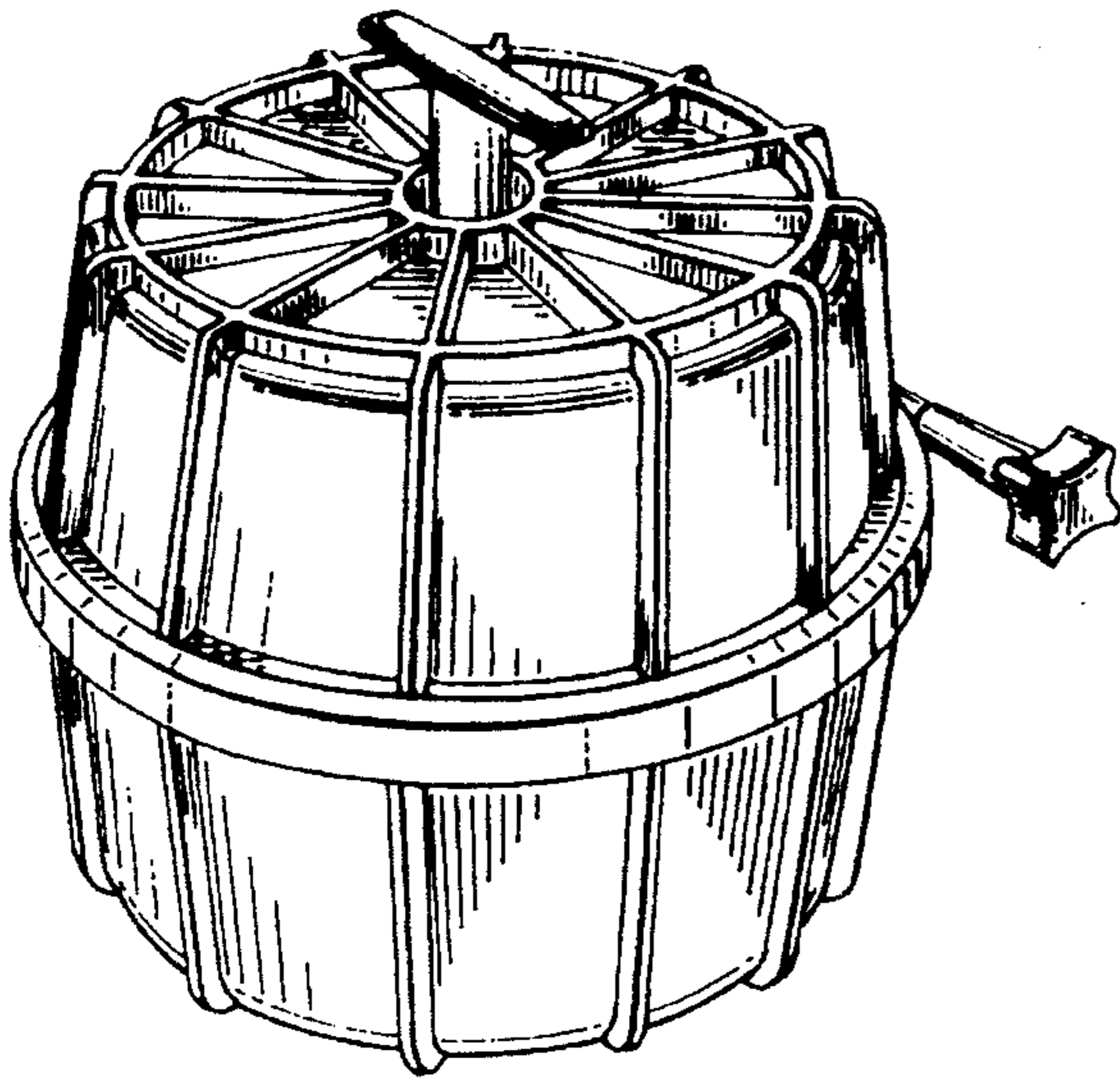


Fig 1

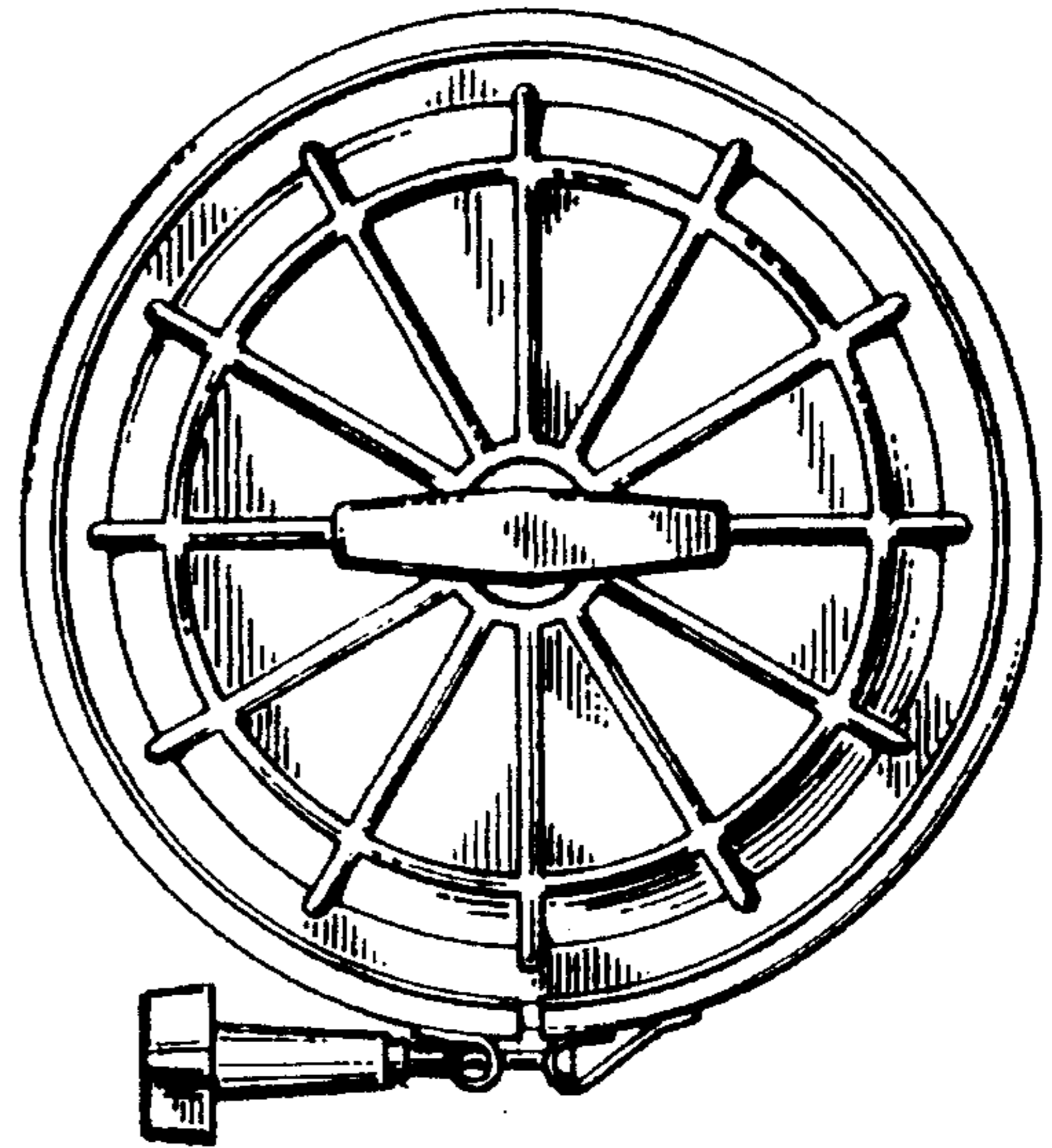


Fig 2

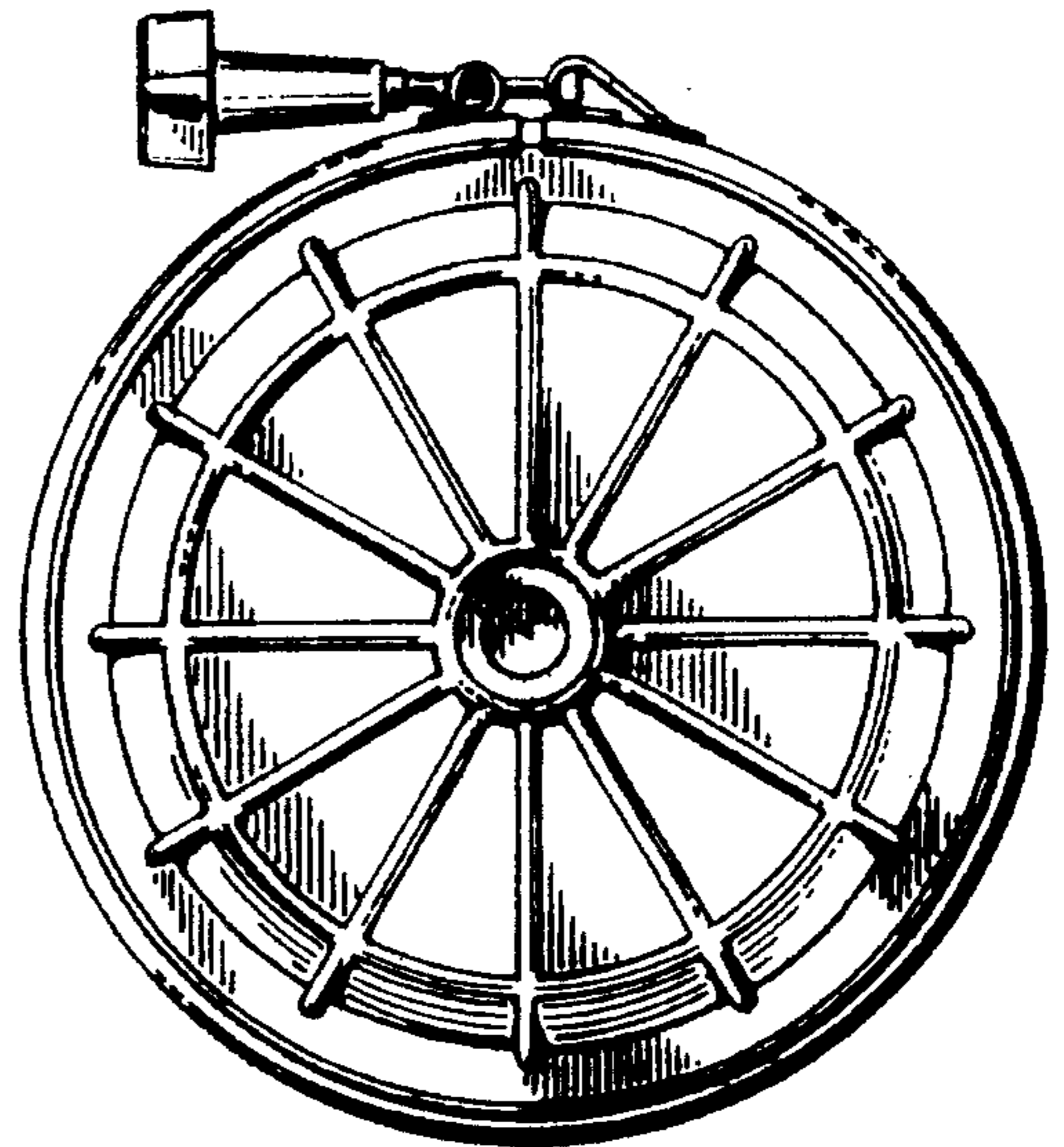


Fig 3

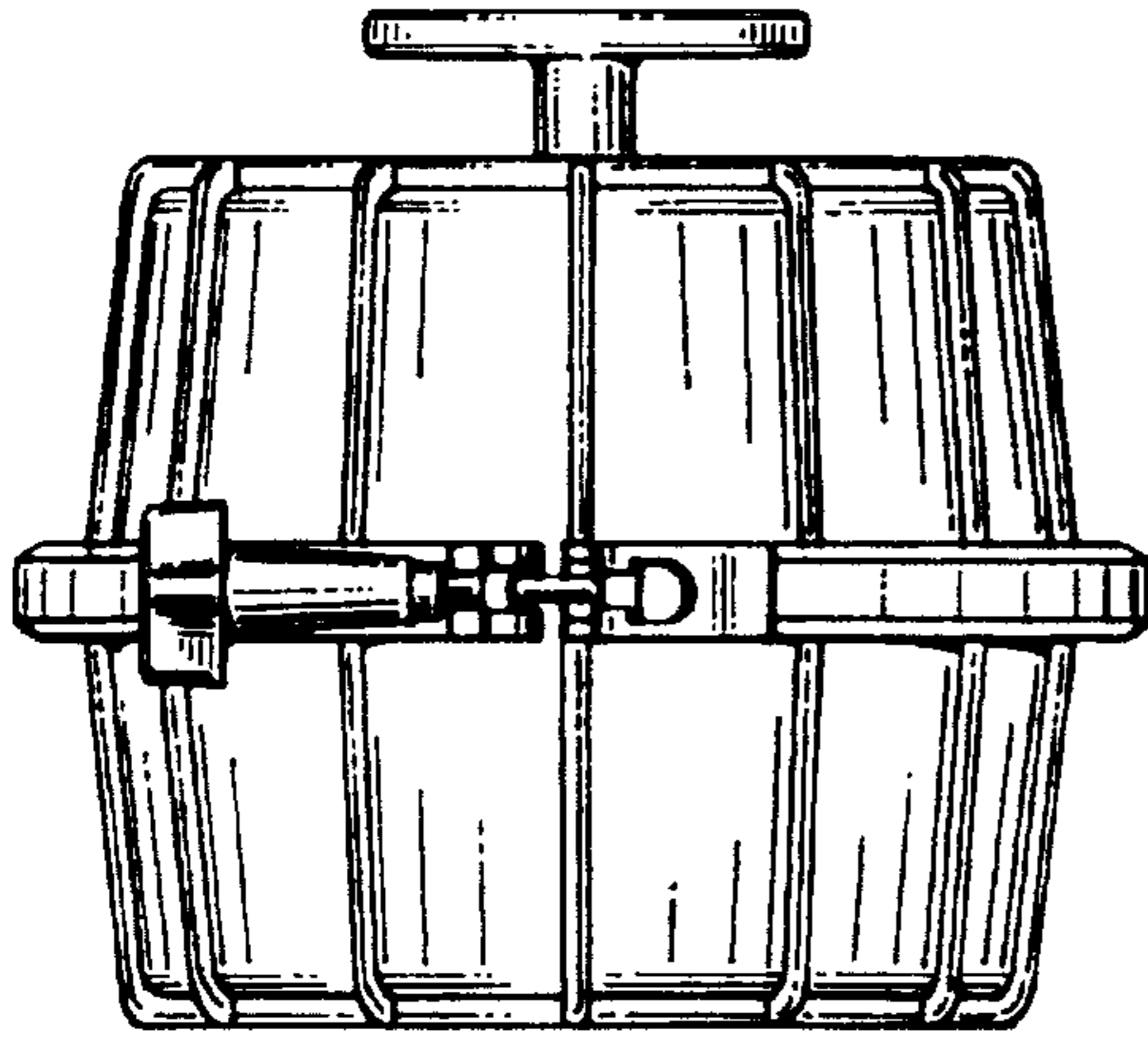


Fig 4

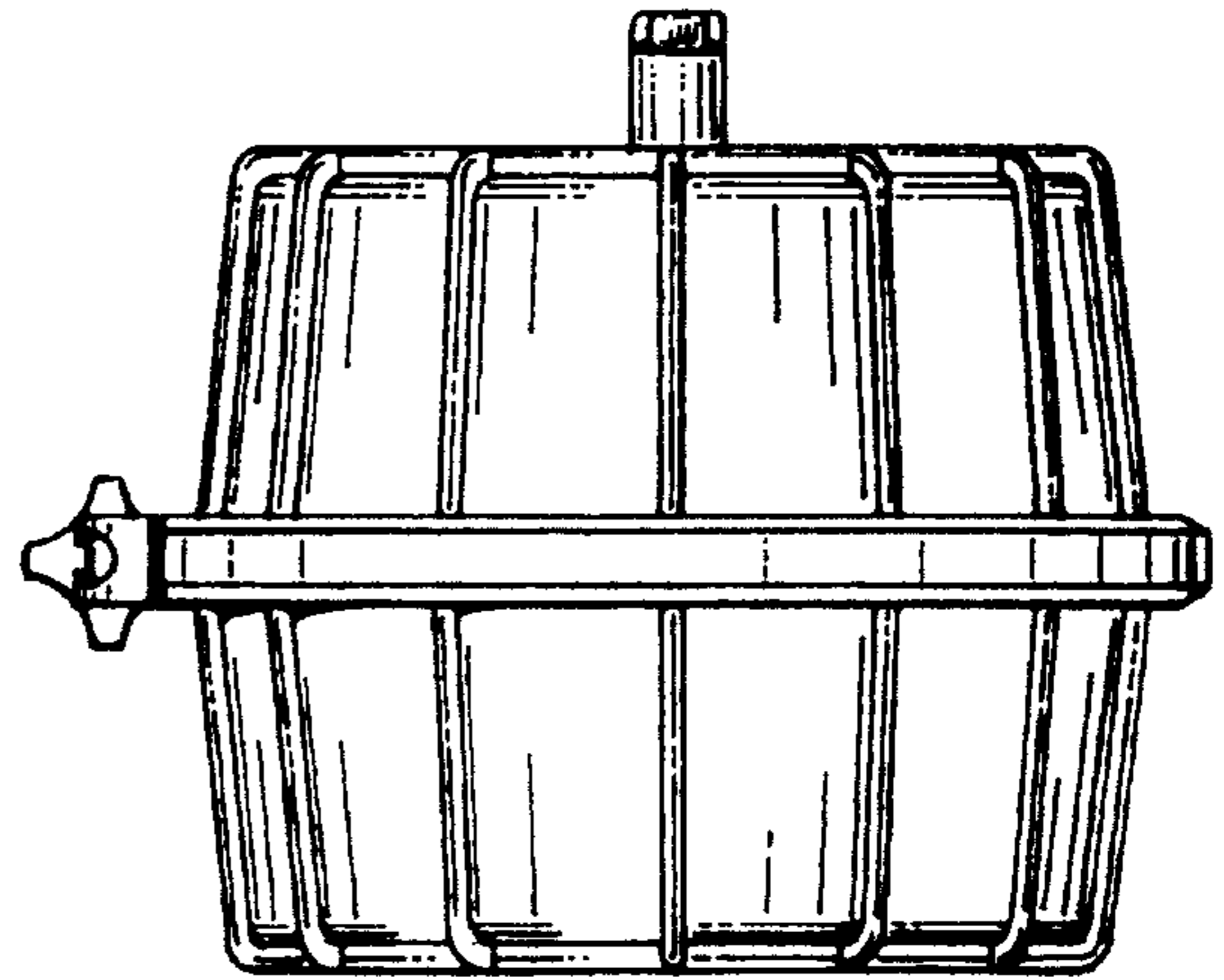


Fig 5

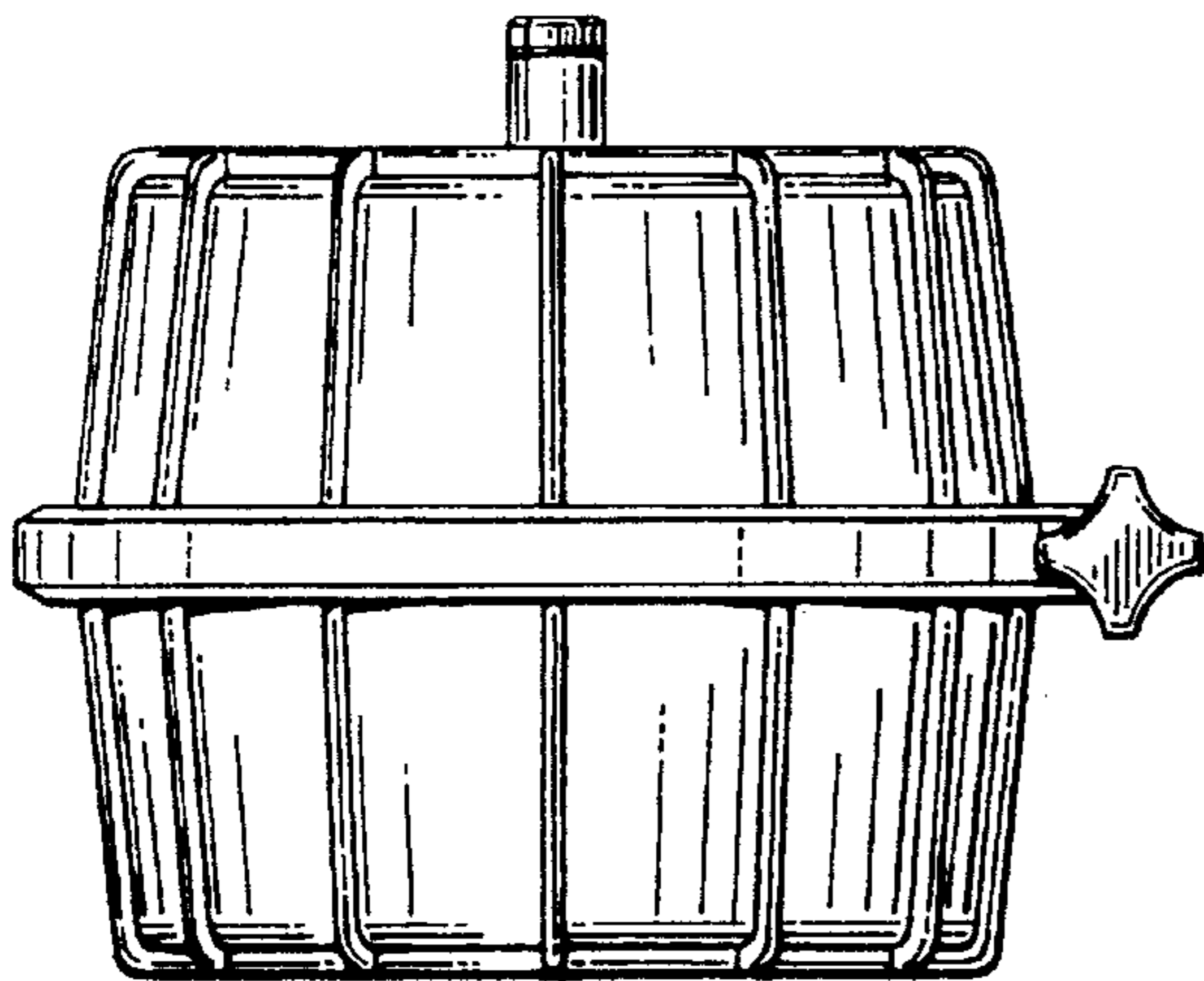


Fig 6

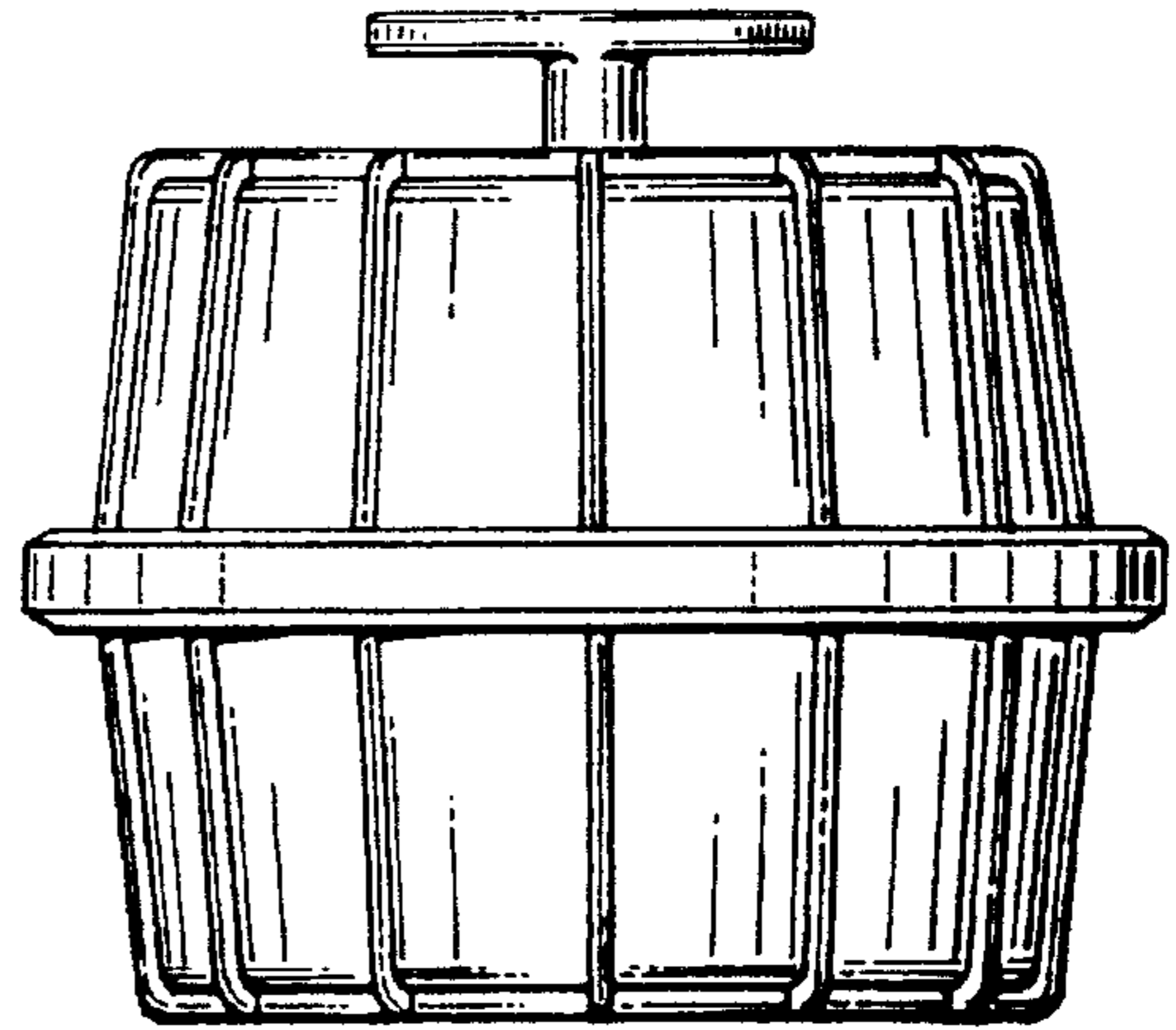


Fig 7