



US00D375131S

United States Patent [19]
Williams

[11] **Patent Number: Des. 375,131**

[45] **Date of Patent: **Oct. 29, 1996**

[54] **GOLF PUTTER HEAD**

[75] Inventor: **Daniel A. Williams**, Evansville, Ind.

[73] Assignee: **Williams Jewelers, Inc.**, Evansville, Ind.

[**] Term: **14 Years**

[21] Appl. No.: **43,773**

[22] Filed: **Sep. 12, 1995**

[52] U.S. Cl. **D21/219**

[58] Field of Search D21/217-219;
473/251-255, 340, 341

[56] **References Cited**

U.S. PATENT DOCUMENTS

D. 199,850 12/1964 Taylor D21/219 X
1,589,926 6/1926 Beamer 473/340

Primary Examiner—Ted Shooman
Assistant Examiner—Mitchell I. Siegel
Attorney, Agent, or Firm—Clifford W. Browning; Woodard, Emhardt, Naughton, Moriarty & McNett

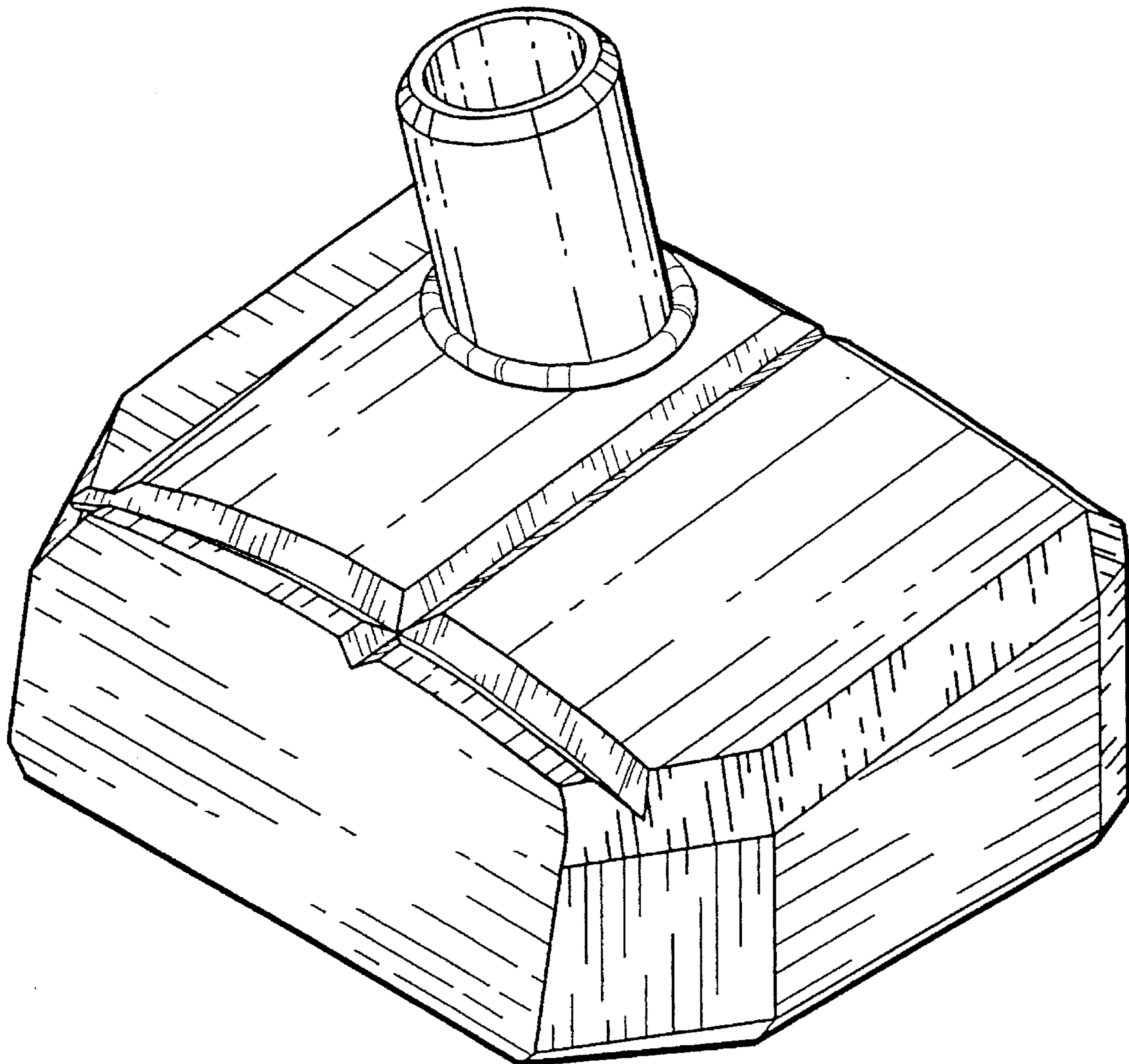
[57] **CLAIM**

The ornamental design for a golf putter head, as shown and described.

DESCRIPTION

FIG. 1 is a rear elevational view of a golf putter head, showing my new design;
FIG. 2 is a top plan view;
FIG. 3 is a right side elevational view;
FIG. 4 is a left side elevational view;
FIG. 5 is a bottom plan view;
FIG. 6 is a front elevational view; and,
FIG. 7 is a rear perspective view.

1 Claim, 4 Drawing Sheets



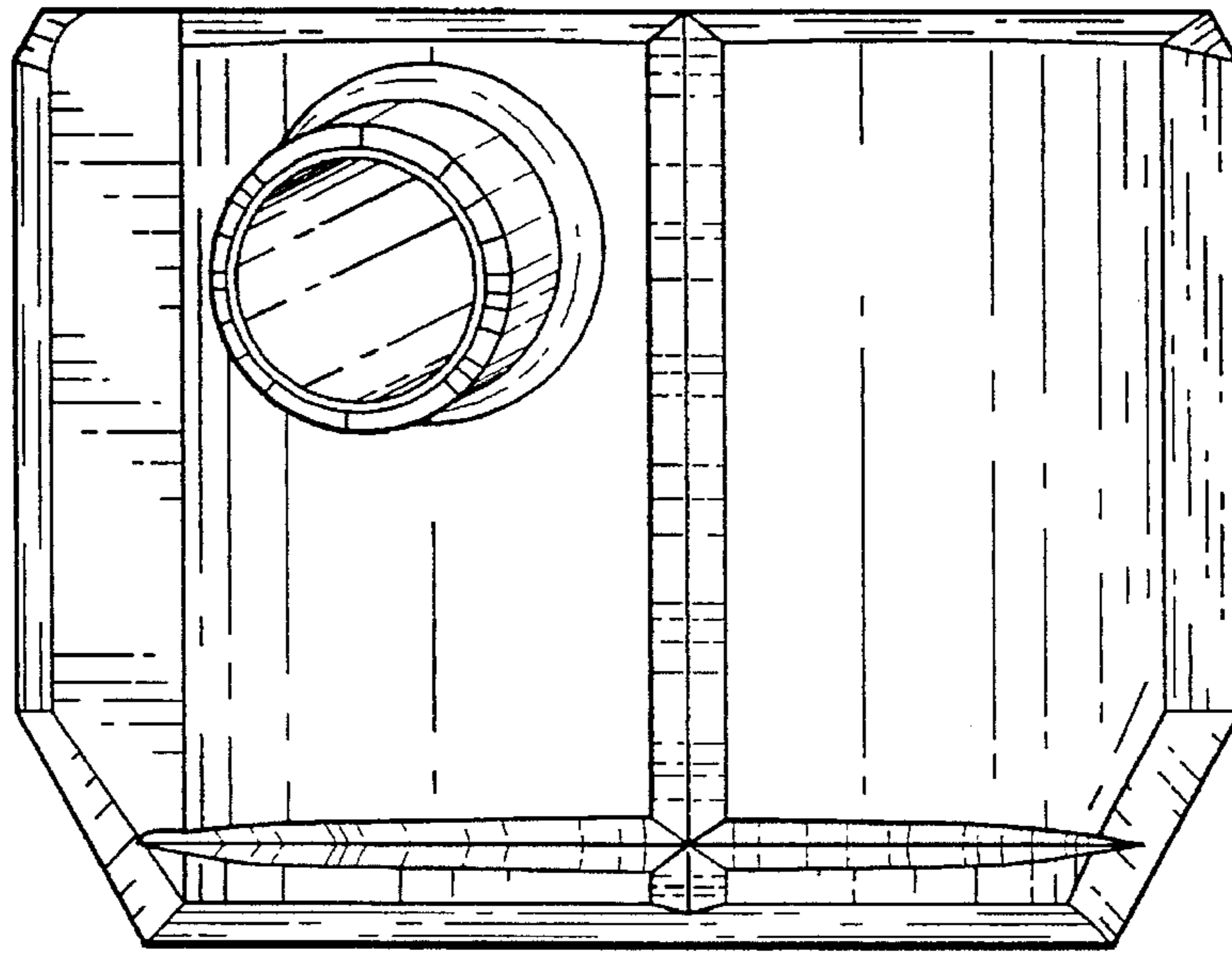


Fig. 2

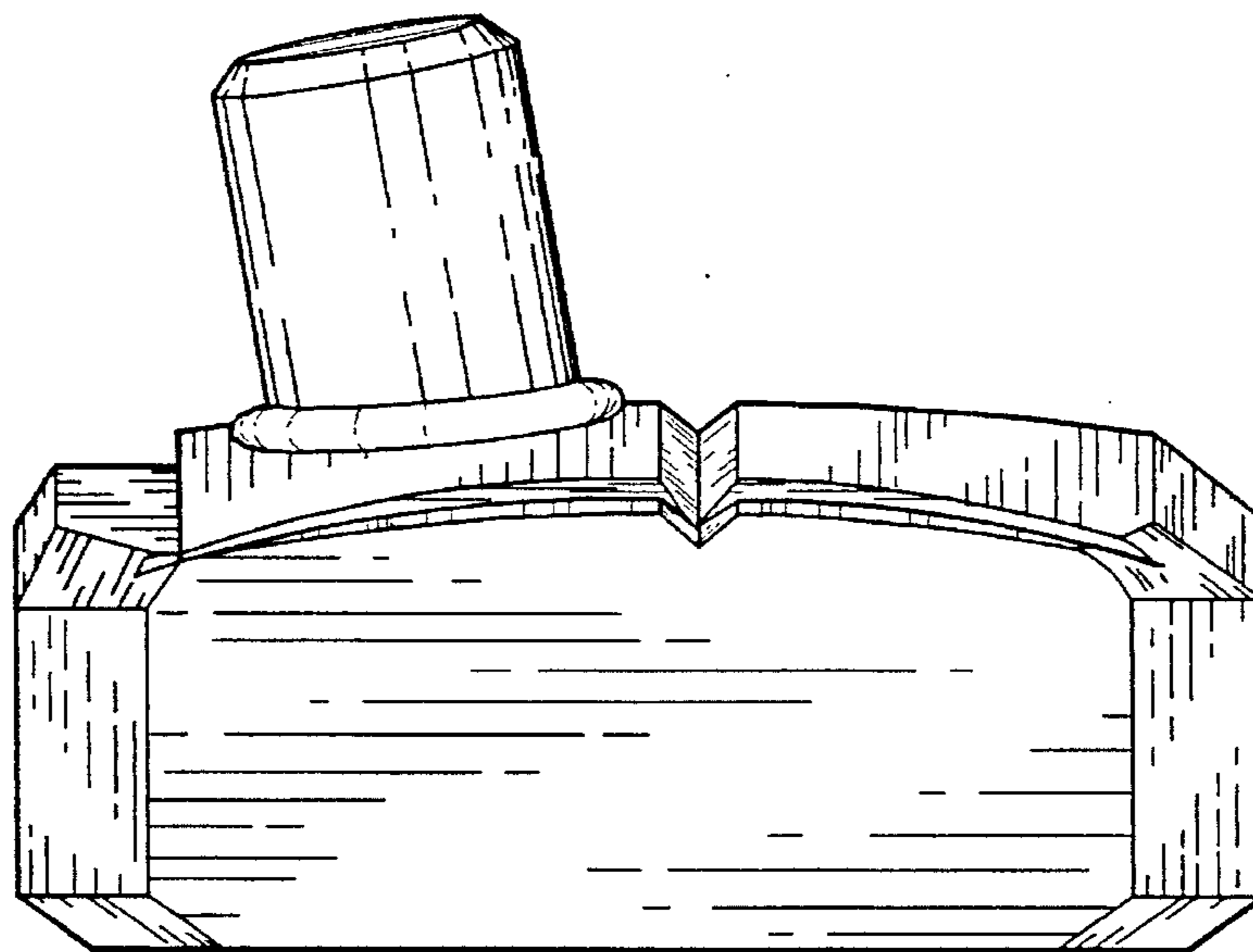


Fig. 1

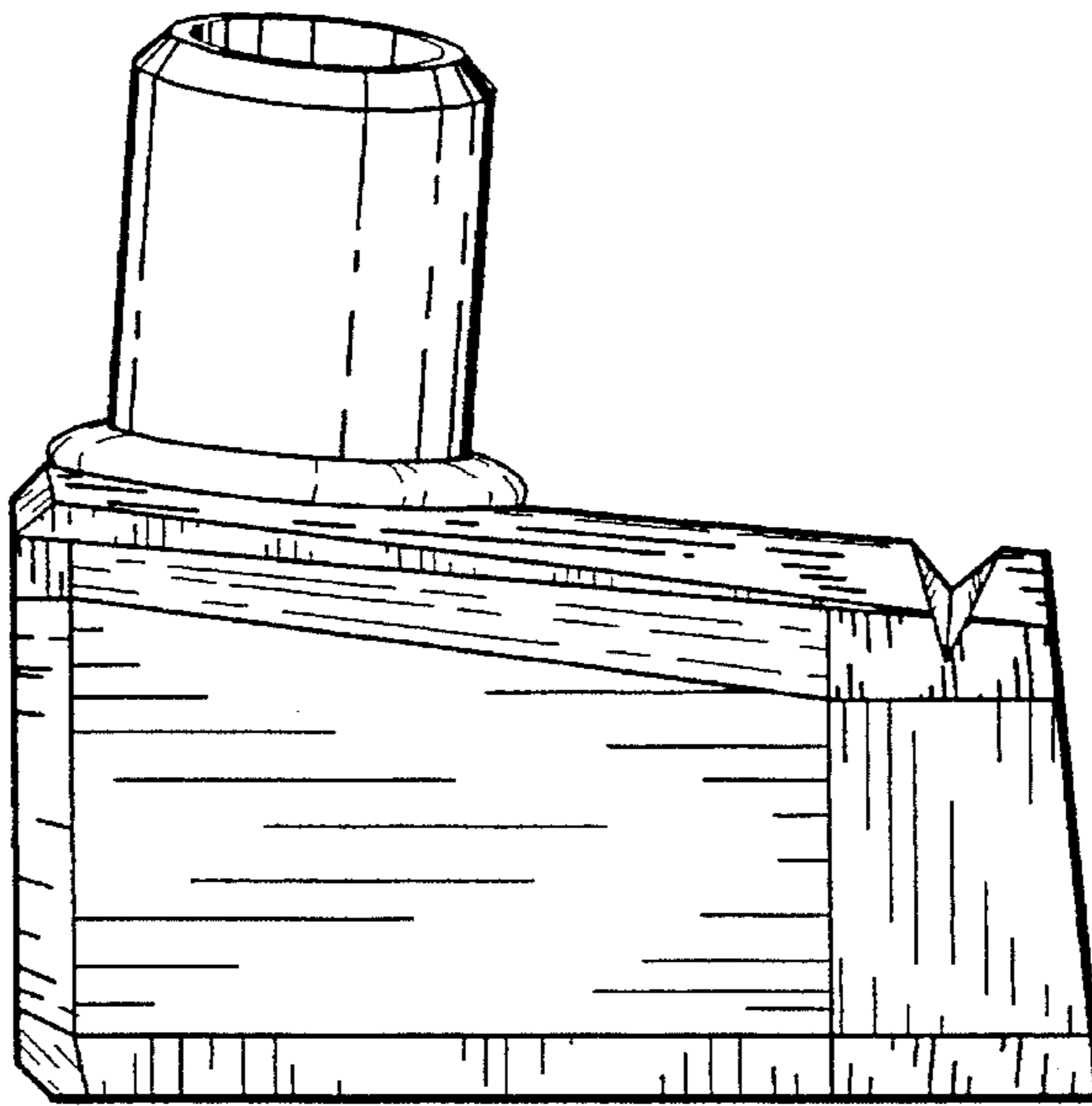


Fig. 4

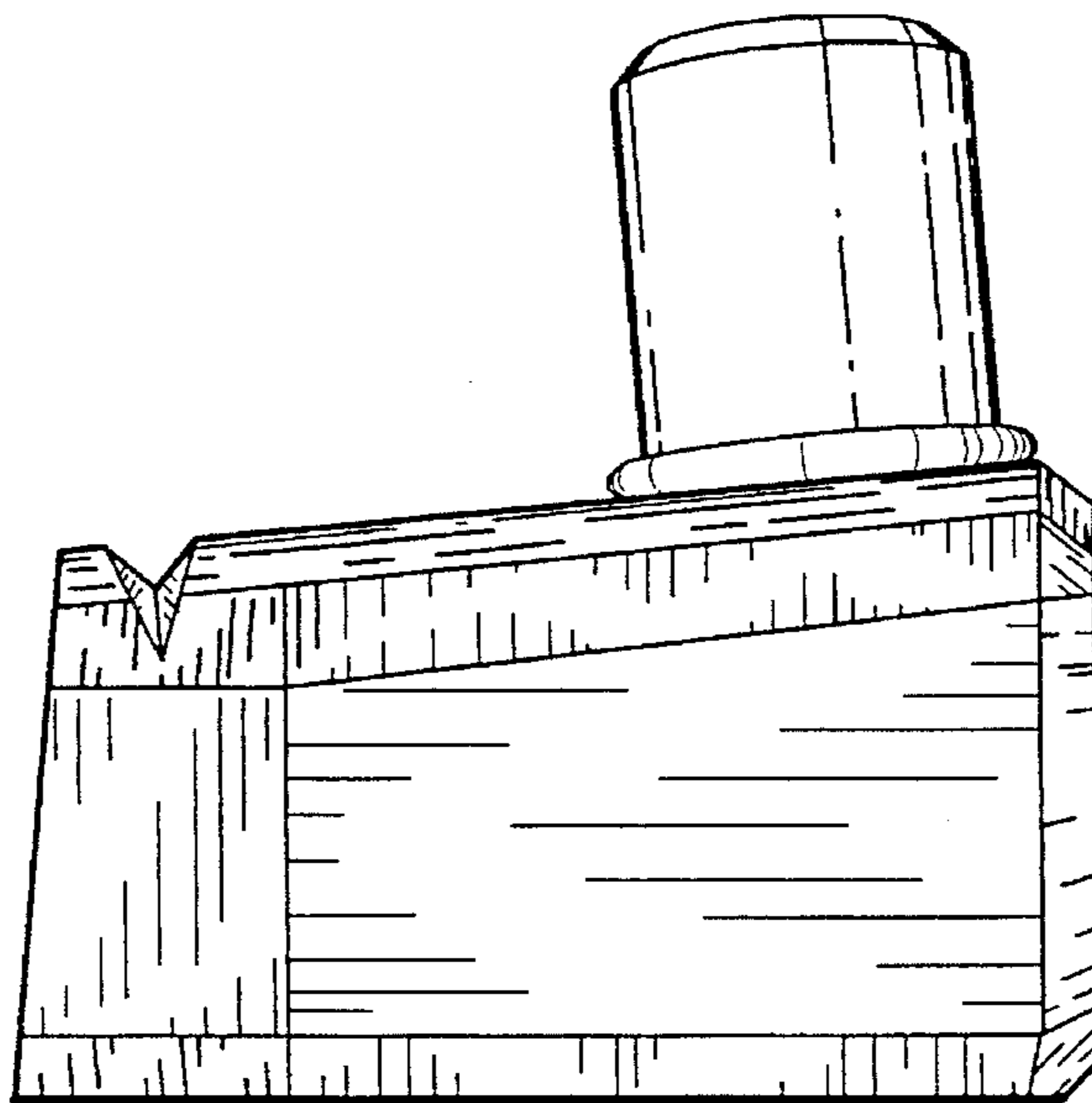


Fig. 3

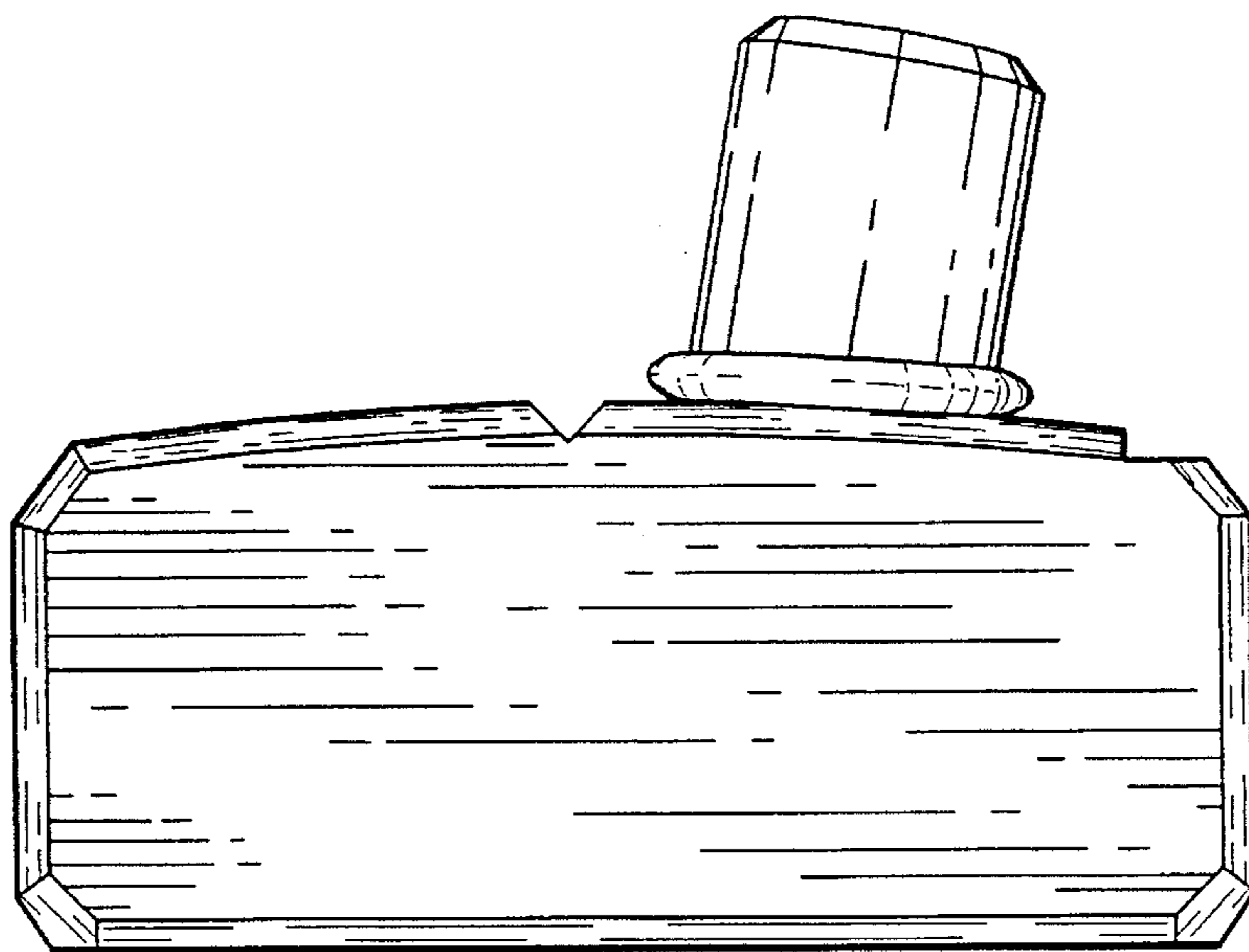


Fig. 6

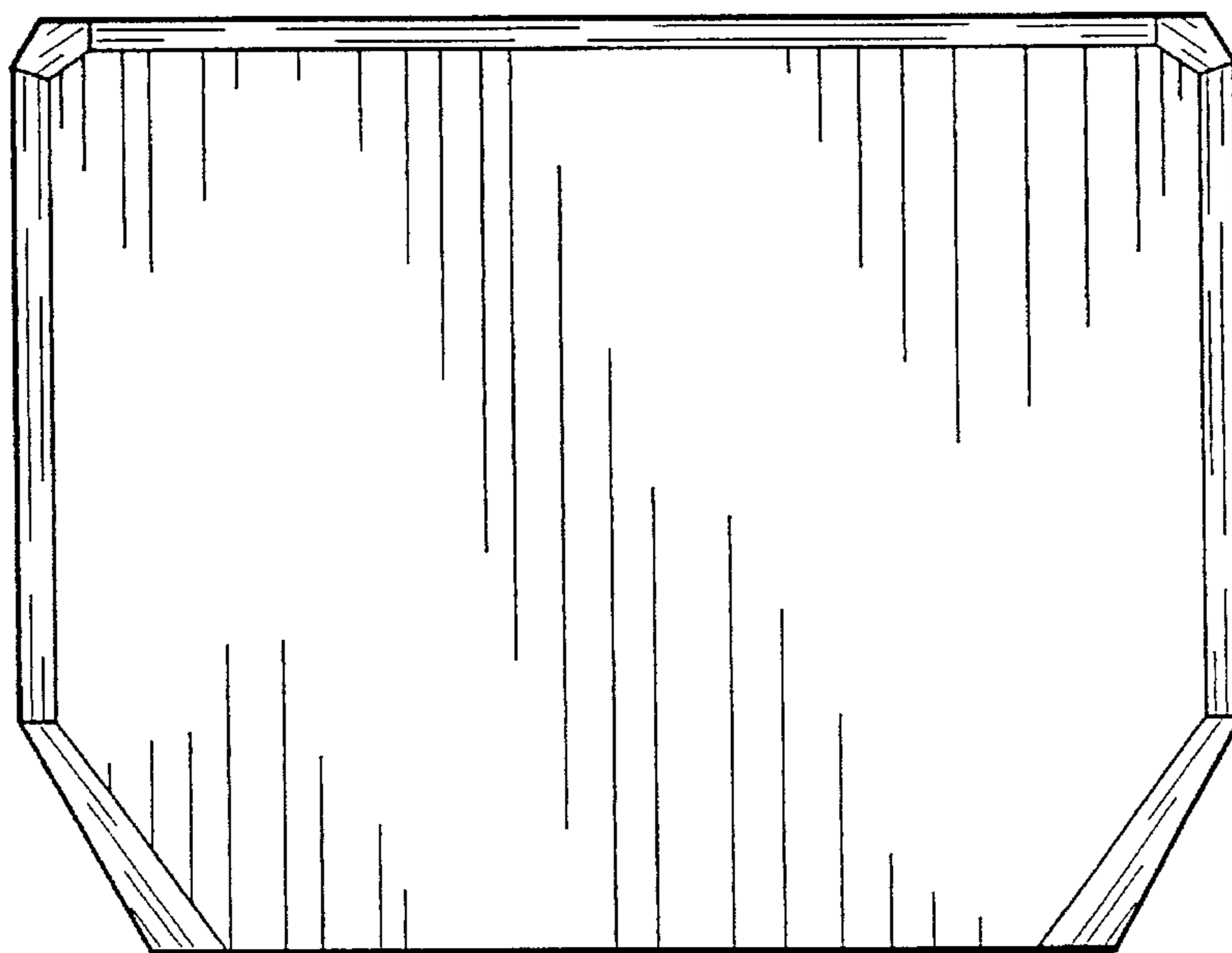


Fig. 5

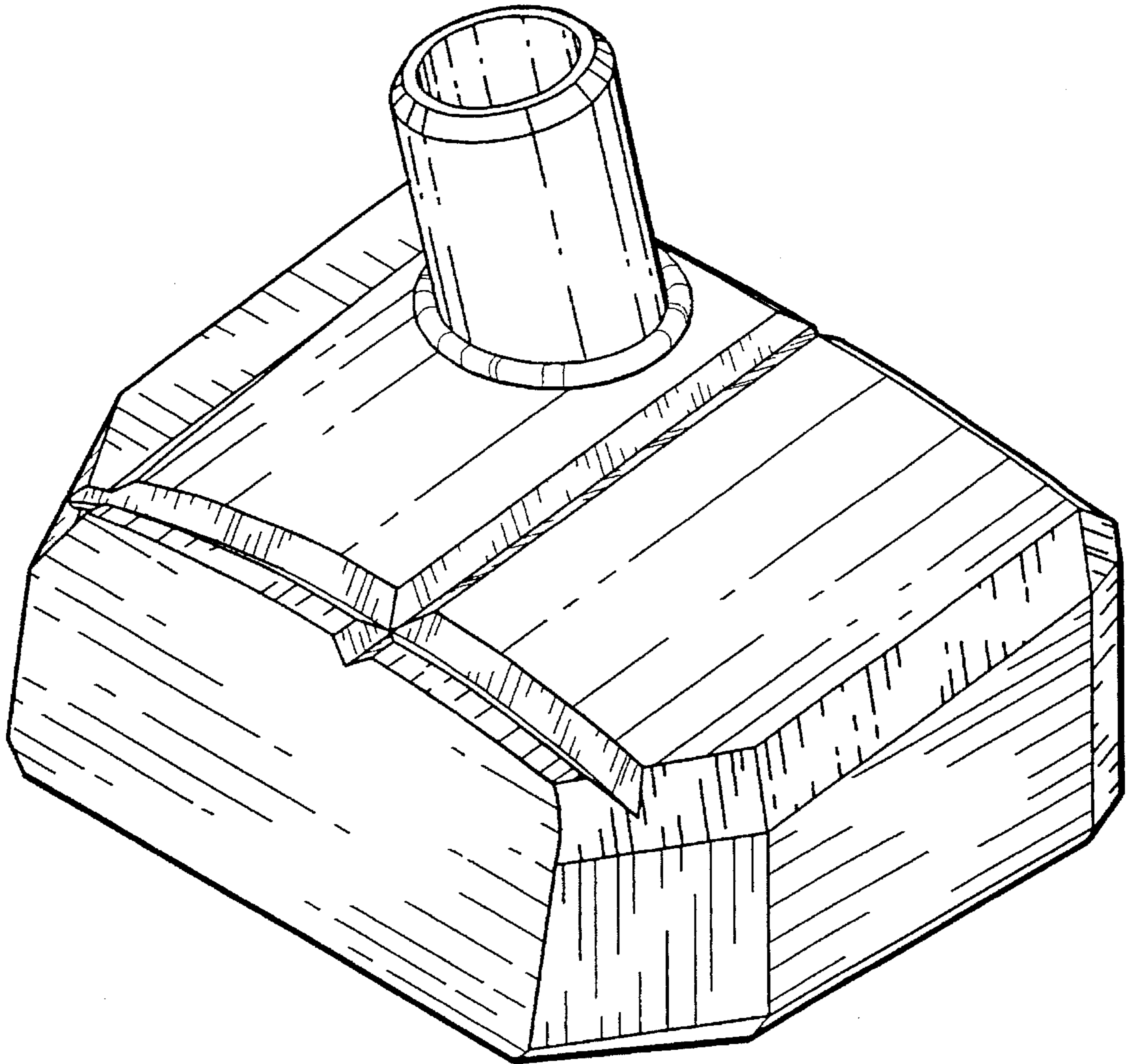


Fig. 7