



US00D375125S

United States Patent [19]

Mallek et al.

[11] Patent Number: **Des. 375,125**

[45] Date of Patent: ****Oct. 29, 1996**

[54] **BEAN BAG GAME TARGET**

4,943,065	7/1990	Delapa	273/402
4,961,586	10/1990	Conville	273/402
5,165,695	11/1992	Yoder	273/402

[76] Inventors: **Michael D. Mallek**, 2217 Virginia St., Midland, Mich. 48642; **Donald R. Schmidt**, 16319 Whitehead Dr., Linden, Mich. 48451

Primary Examiner—Prabhakar G. Deshmukh
Attorney, Agent, or Firm—John J. Swartz

[**] Term: **14 Years**

[57] **CLAIM**

[21] Appl. No.: **27,372**

The ornamental design for a bean bag game target, as shown and described.

[22] Filed: **Aug. 19, 1994**

DESCRIPTION

[52] U.S. Cl. **D21/5**

[58] **Field of Search** D21/1, 2, 5; 273/398, 273/402, 404, 407, 390, 415, 400, 285

FIG. 1 is a front perspective view of a bean bag game target showing our new design of the present invention; FIG. 2 is a slightly reduced top plan view thereof; FIG. 3 is a front elevational view thereof; FIG. 4 is a back elevational view thereof; FIG. 5 is a bottom plan view thereof; FIG. 6 is a left side view thereof, taken from the left side of the figure illustrated in FIG. 3; and, FIG. 7 is an opposite side view thereof; taken from the right side of FIG. 3.

[56] **References Cited**

U.S. PATENT DOCUMENTS

D. 181,790	12/1957	Gerber	D21/5 X
D. 340,082	10/1993	Delapa	D21/5
3,628,793	12/1971	Mudloff	273/402
3,734,502	5/1973	Bolton	273/400
3,837,650	9/1974	Haney	273/402
4,938,485	7/1990	Hockridge et al.	273/402 X

1 Claim, 2 Drawing Sheets

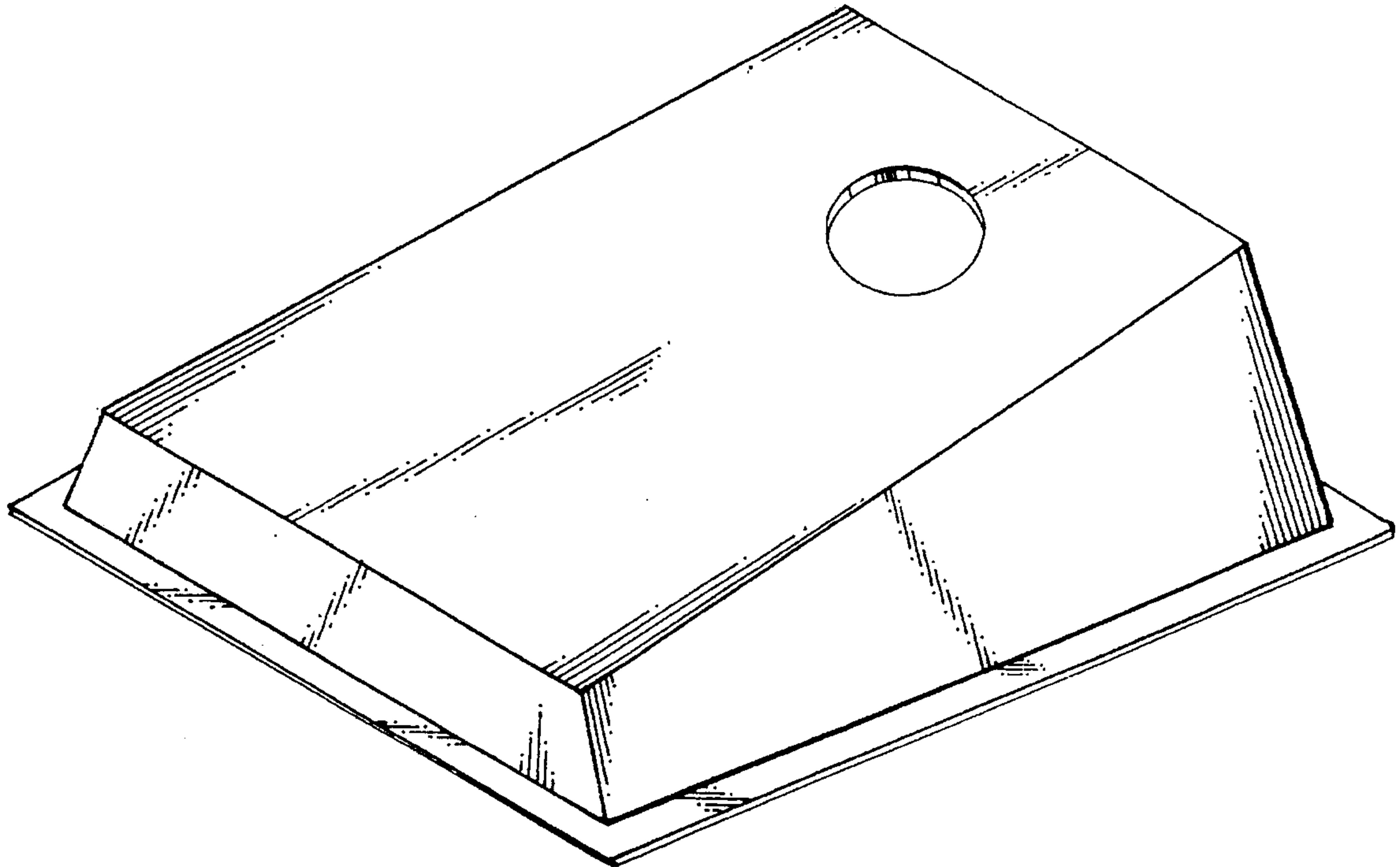


Fig. 1

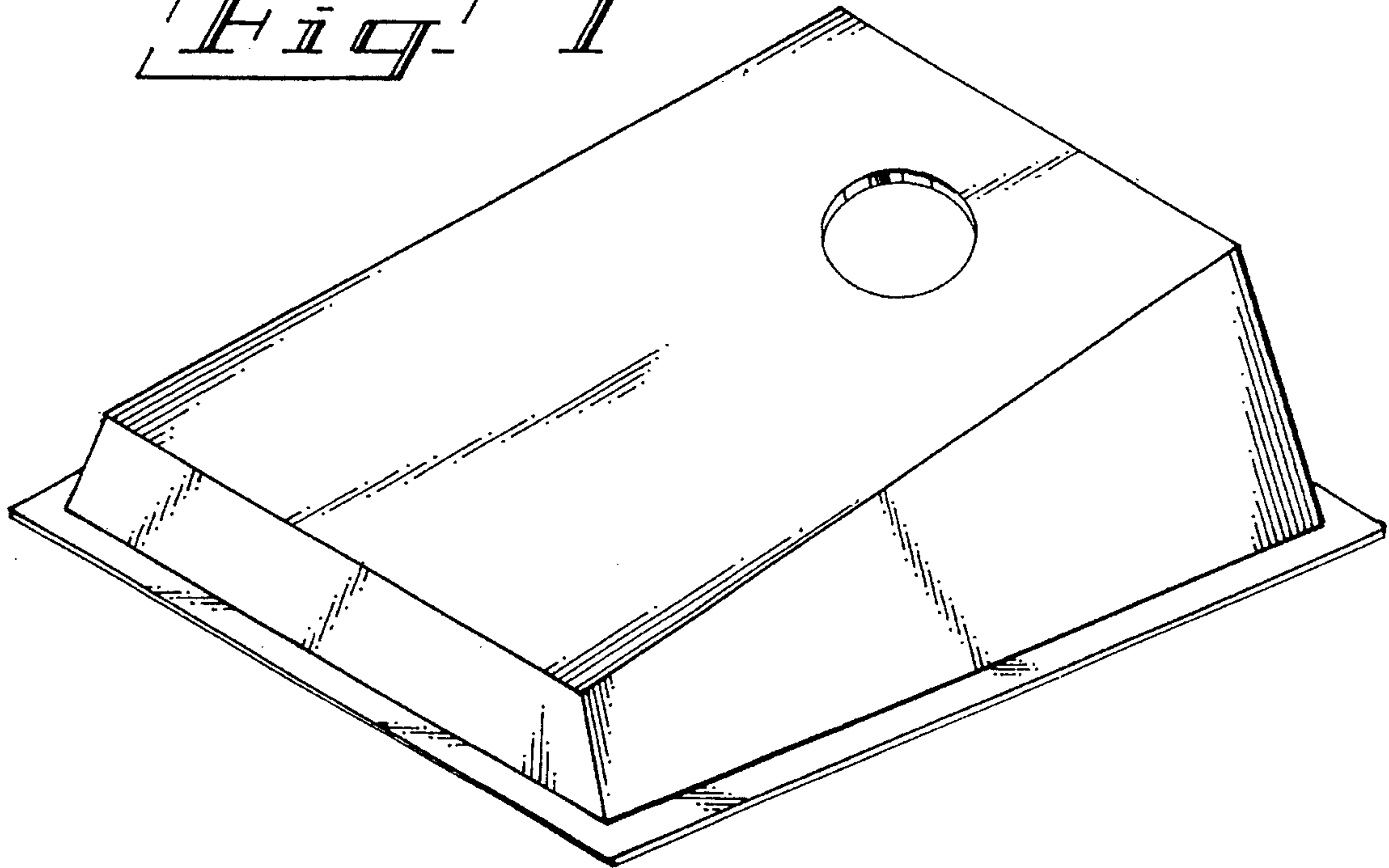


Fig. 2

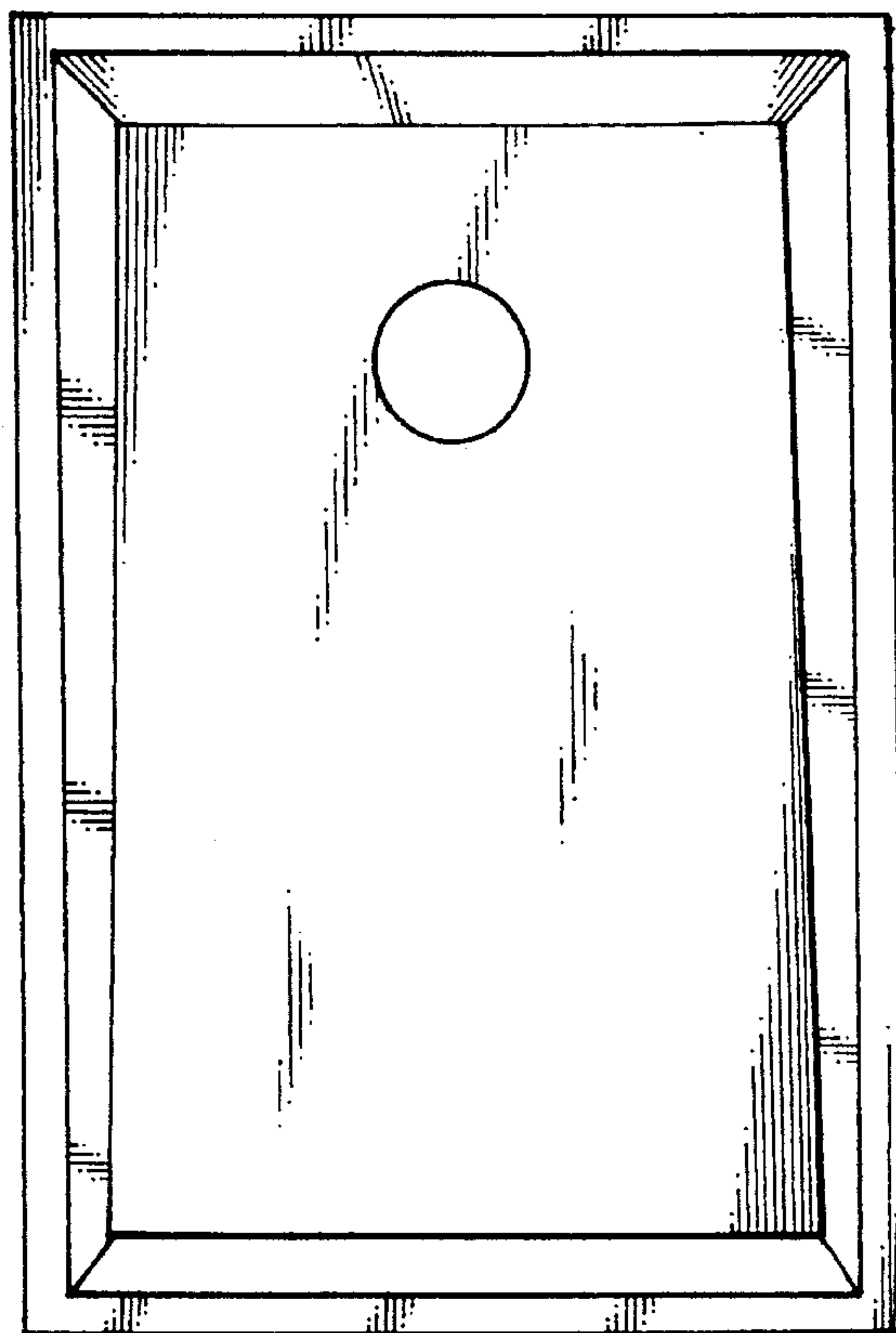


Fig 3

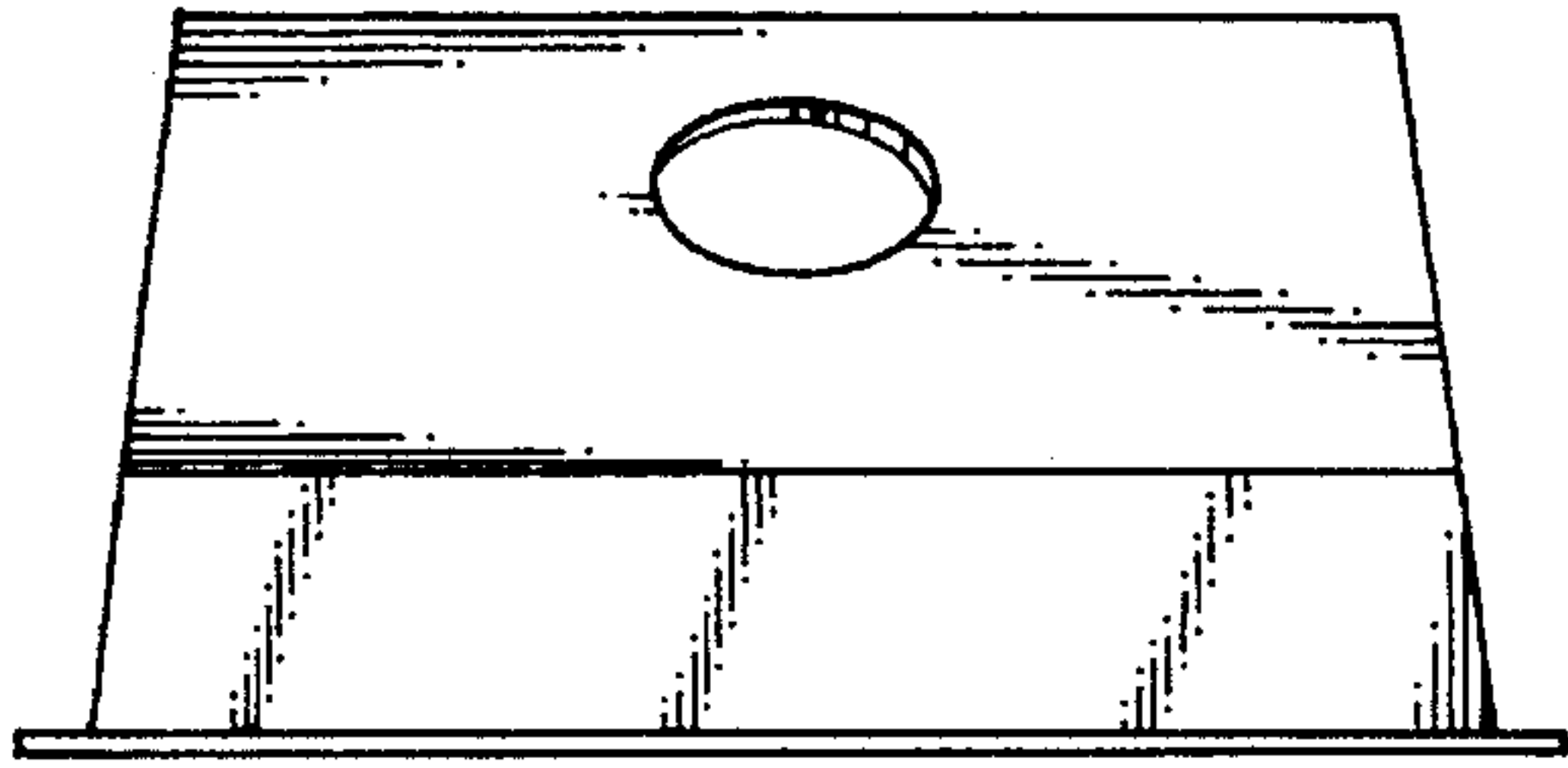


Fig 5

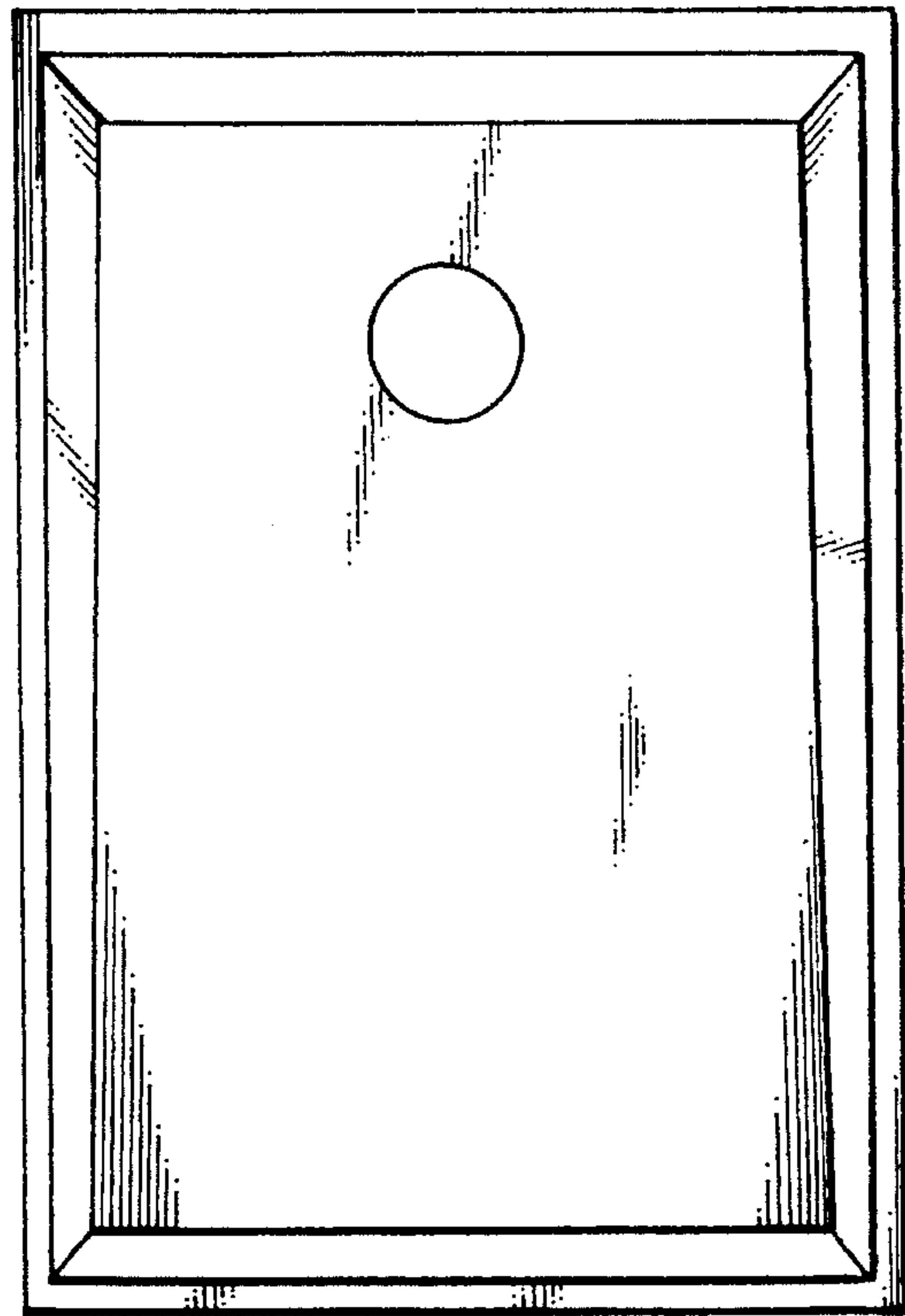


Fig 4

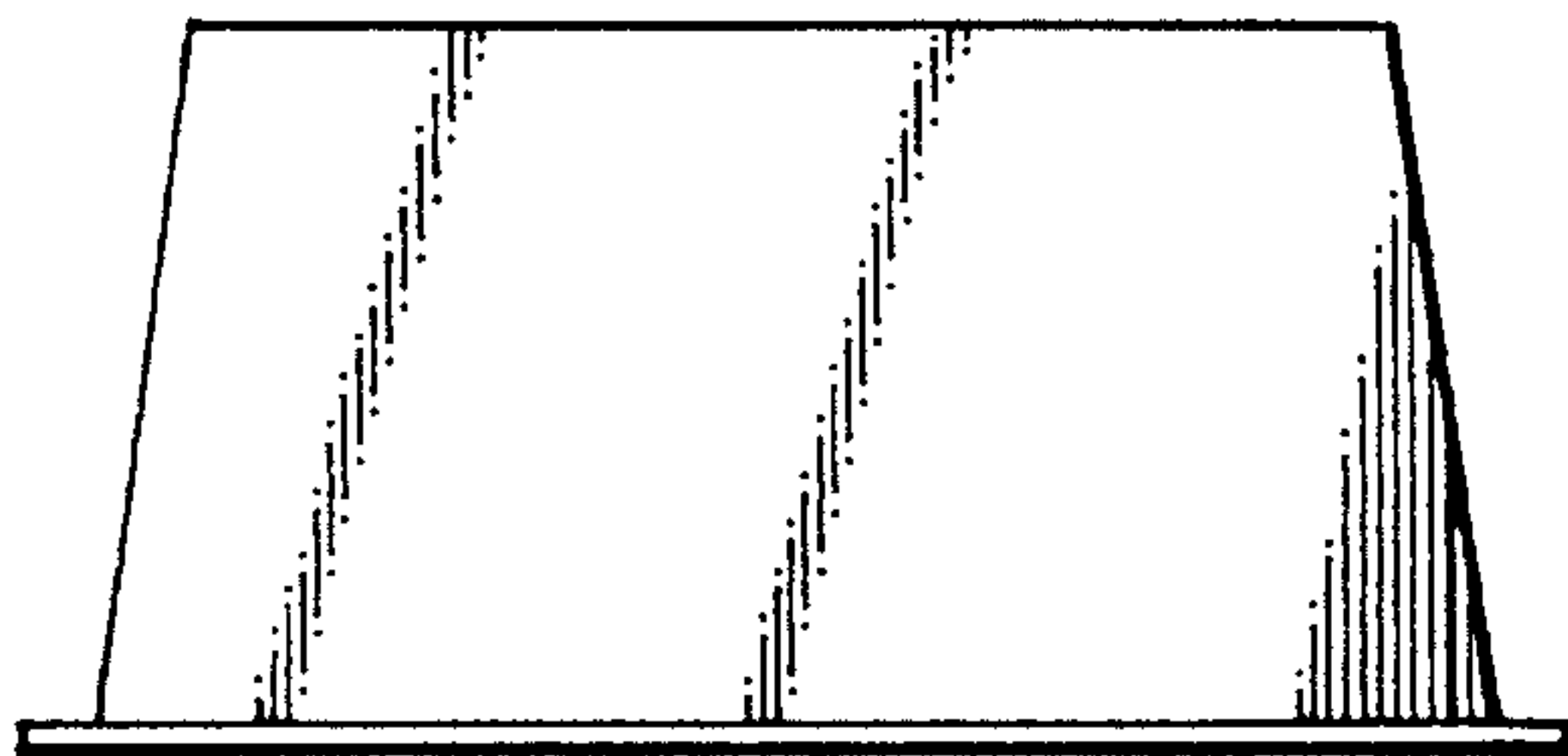


Fig 6

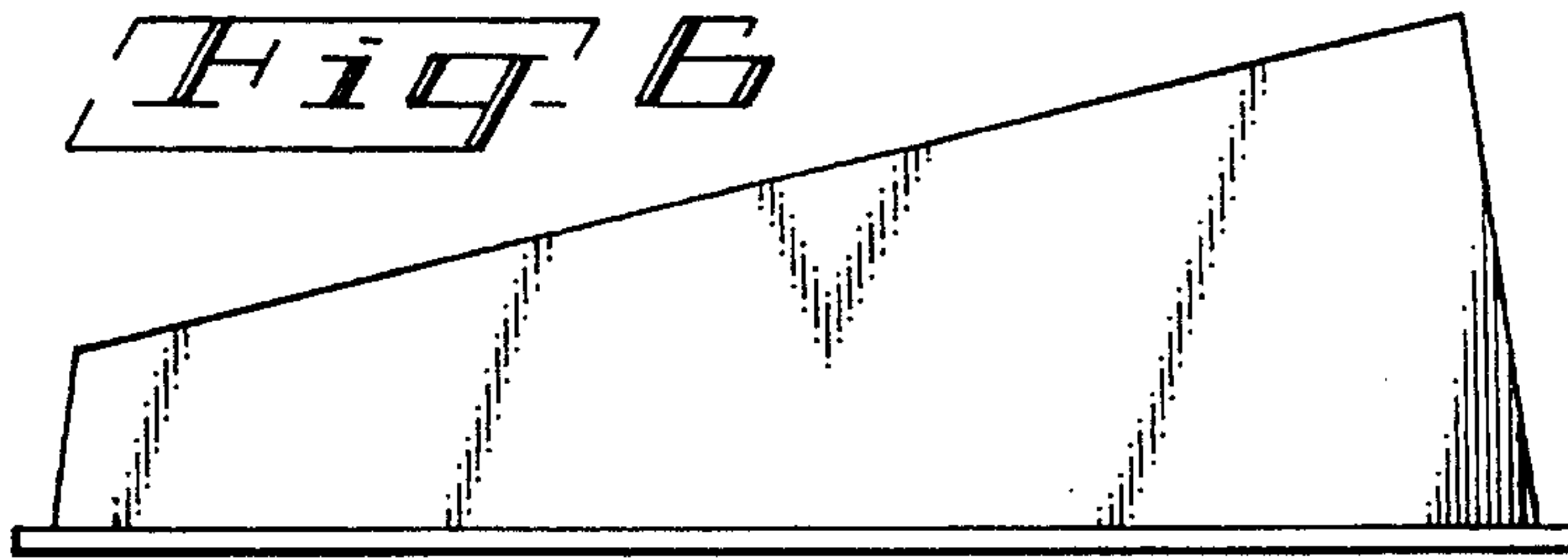


Fig 7

