



US00D375118S

United States Patent [19]

Ishikawa et al.

[11] Patent Number: **Des. 375,118**

[45] Date of Patent: ****Oct. 29, 1996**

[54] **CLEANING TONER MAGAZINE**

D. 308,696 6/1990 Tanizawa et al. D18/40

[75] Inventors: **Kazumasa Ishikawa; Shigemi Kanda,**
both of Kanagawa, Japan

Primary Examiner—Nelson C. Holtje
Assistant Examiner—Caron D. Veynar
Attorney, Agent, or Firm—Dickstein, Shapiro & Morin,
L.L.P.

[73] Assignee: **Ricoh Company, Ltd.,** Tokyo, Japan

[**] Term: **14 Years**

[57] **CLAIM**

[21] Appl. No.: **42,991**

The ornamental design for cleaning toner magazine, as shown and described.

[22] Filed: **May 22, 1995**

DESCRIPTION

[30] **Foreign Application Priority Data**

FIG. 1 is a top, front, and left side perspective view of a cleaning toner magazine showing our new design; FIG. 2 is a front elevation thereof; FIG. 3 is a rear elevation thereof; FIG. 4 is a top plan view thereof; FIG. 5 is a bottom plan view thereof; FIG. 6 is a left side elevation thereof; and, FIG. 7 is a right side elevation thereof.

Nov. 21, 1994 [JP] Japan 6-35388

[52] U.S. Cl. **D18/43; D18/40**

[58] Field of Search D18/36, 40, 43;
355/200, 206, 208, 245, 260, 298

[56] **References Cited**

U.S. PATENT DOCUMENTS

D. 286,542 11/1986 Saito D18/43

D. 298,334 11/1988 Masaki et al. D18/43

1 Claim, 2 Drawing Sheets

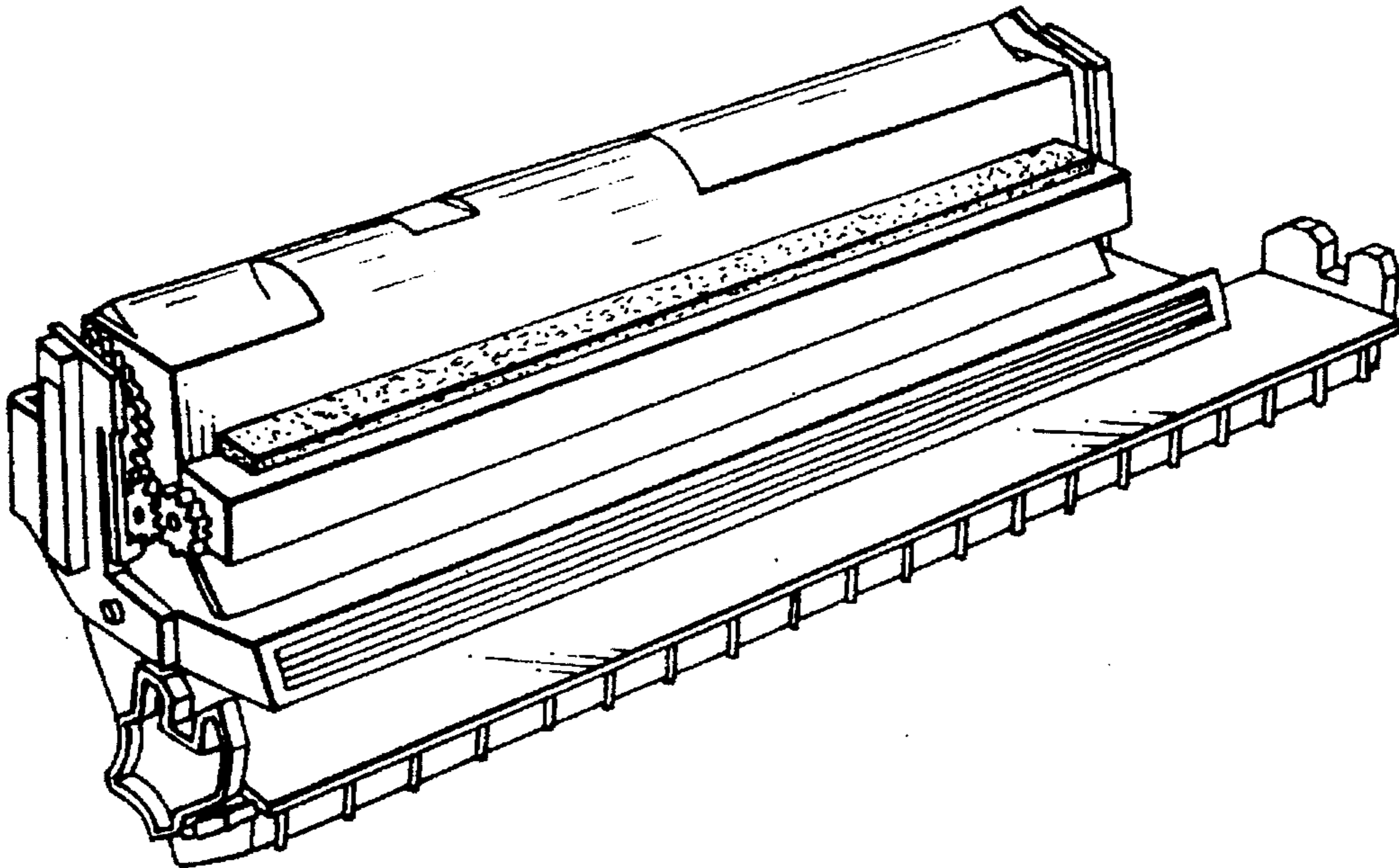


FIG. 1

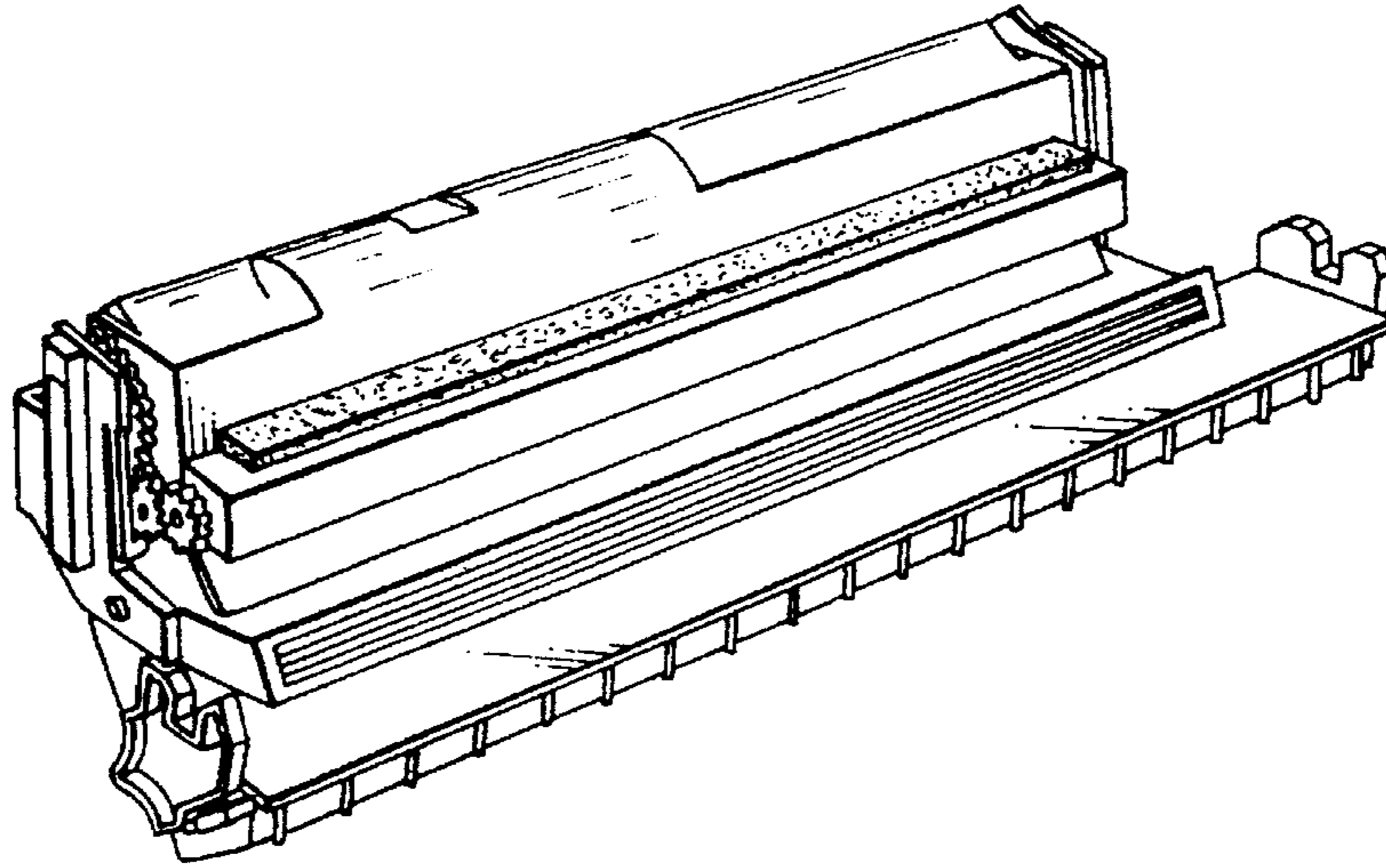


FIG. 2

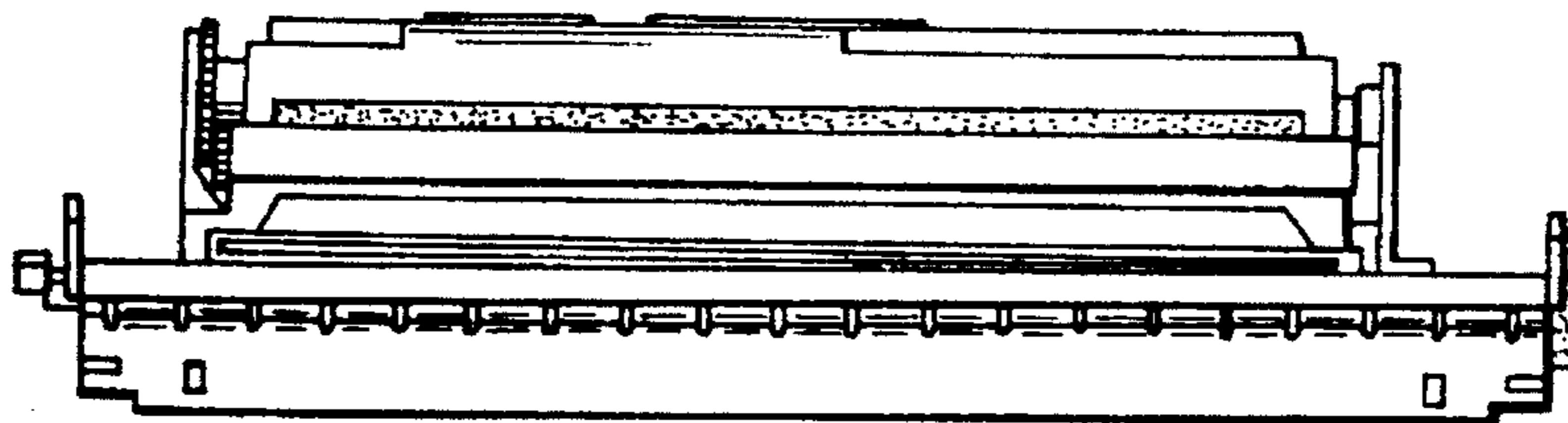


FIG. 3

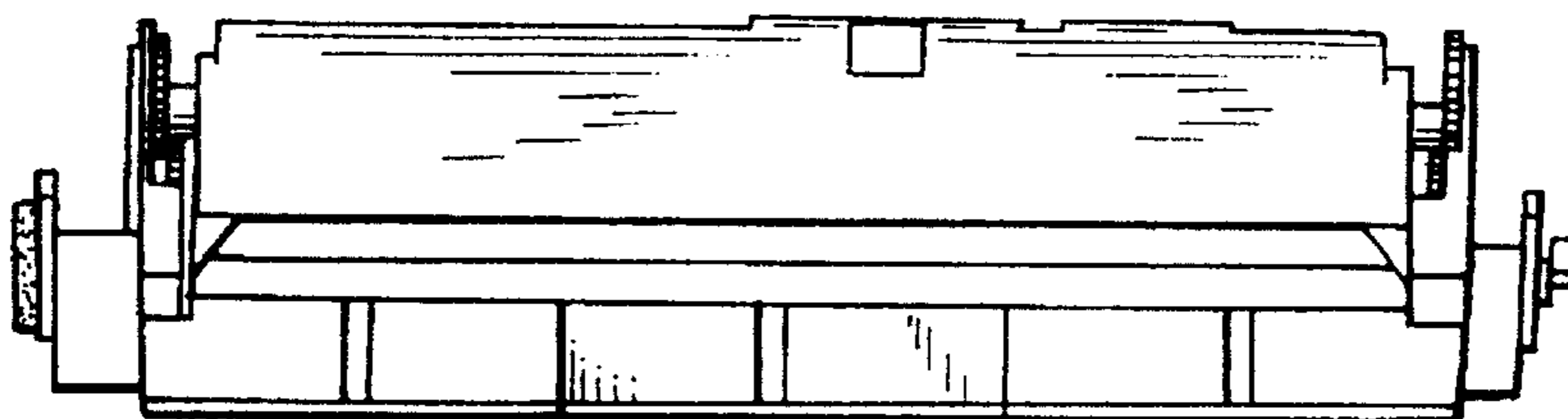


FIG. 4

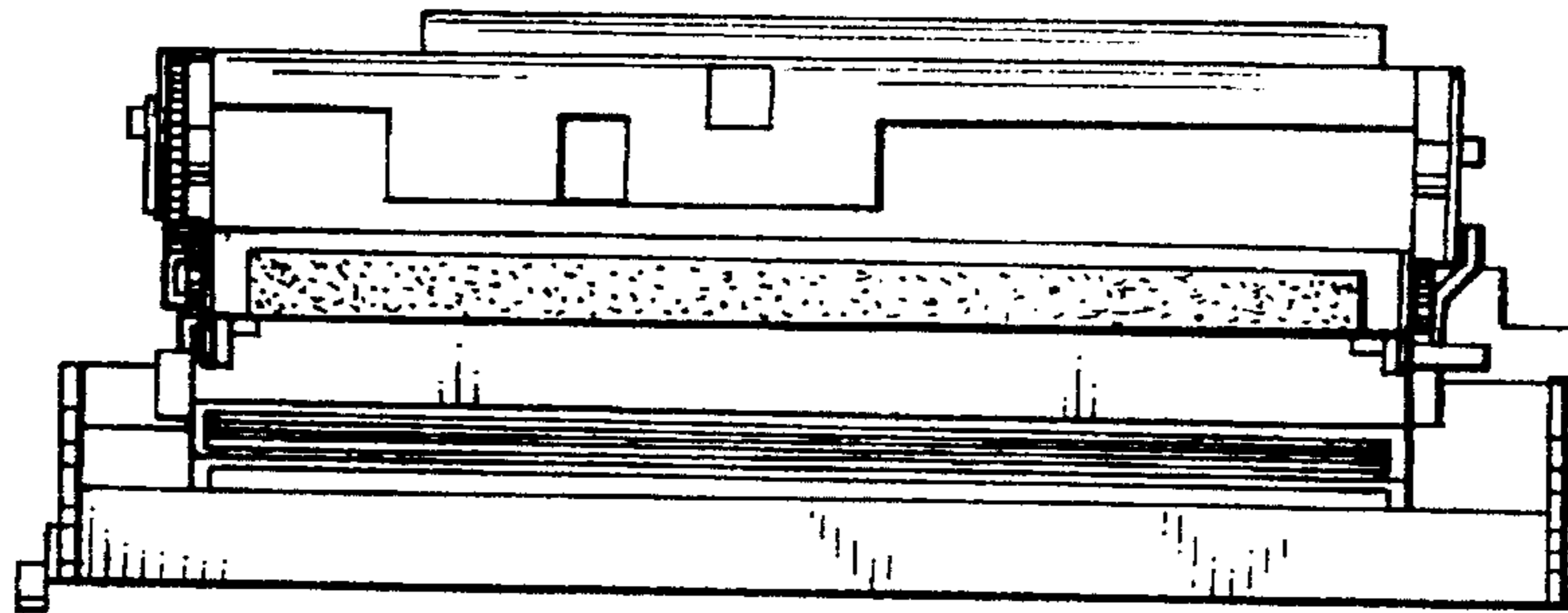


FIG. 5

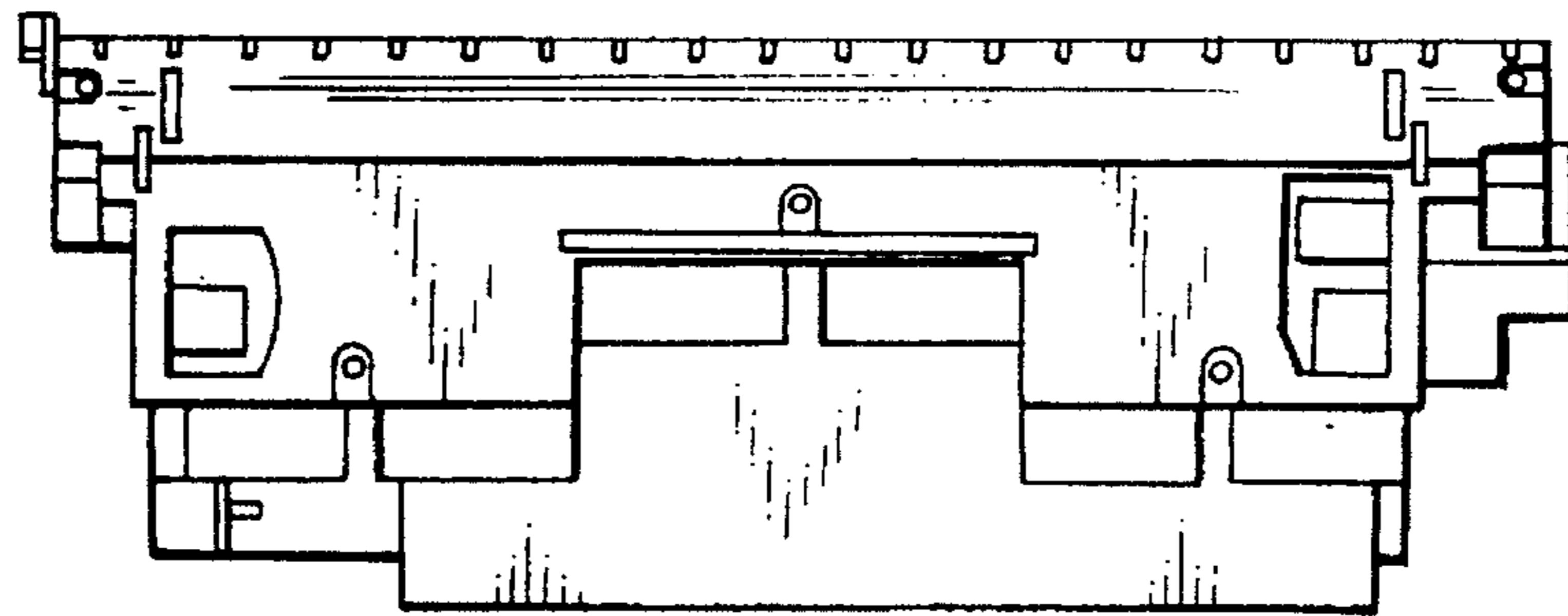


FIG. 6

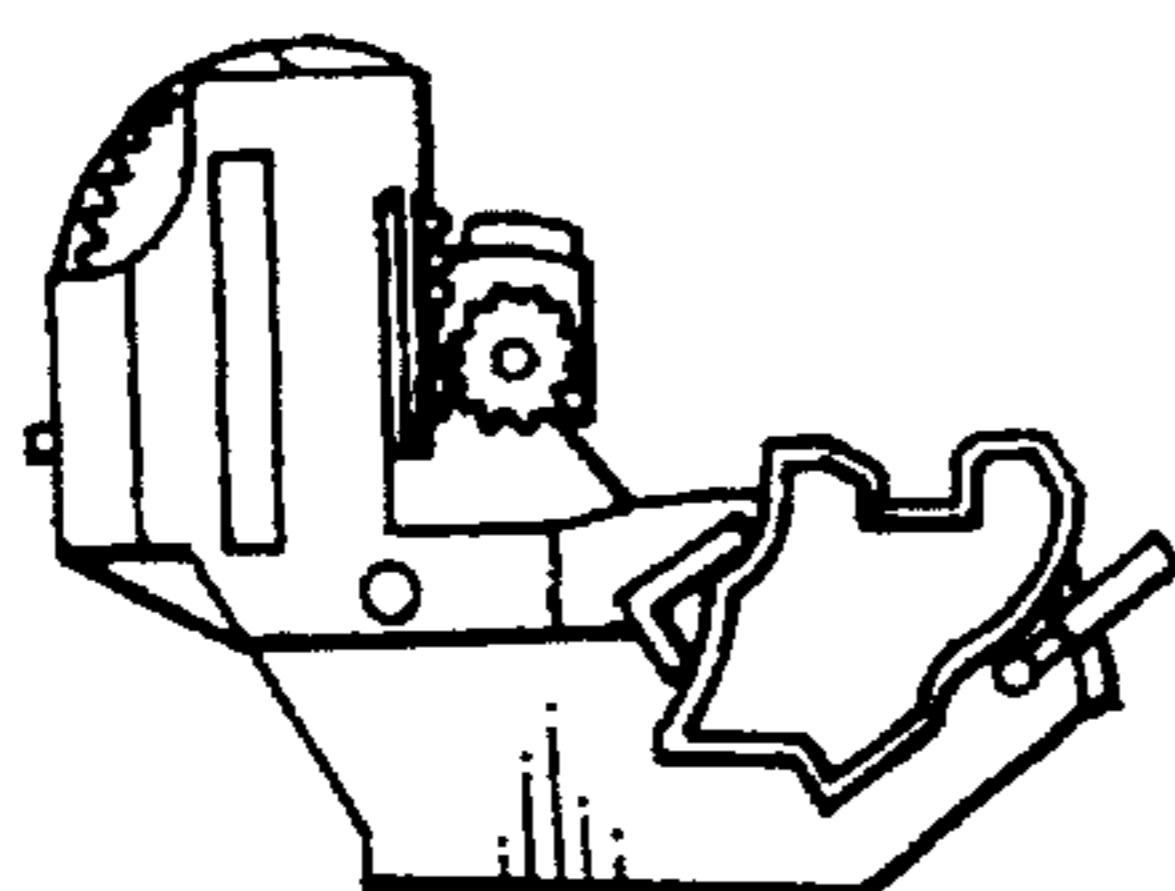


FIG. 7

