



US00D375117S

# United States Patent [19]

[11] Patent Number: **Des. 375,117**

Keohan

[45] Date of Patent: **\*\*Oct. 29, 1996**

## [54] INK STAMP

## FOREIGN PATENT DOCUMENTS

[75] Inventor: **Richard Keohan**, Braintree, Mass.

1128444 4/1962 Germany ..... 118/270

[73] Assignee: **Hope Coppinger**, Boston, Mass.

*Primary Examiner*—Louis S. Zarfes

*Assistant Examiner*—Frank Martinez

[\*\*] Term: **14 Years**

*Attorney, Agent, or Firm*—Wolf, Greenfield & Sacks, P.C.

[21] Appl. No.: **42,520**

## [57] CLAIM

The ornamental design for an ink stamp, as shown and described.

[22] Filed: **Aug. 11, 1995**

[52] U.S. Cl. .... **D18/17**

## DESCRIPTION

[58] **Field of Search** ..... D18/16, 17, 15;  
118/264, 265, 270, 317; 101/333, 334,  
327, 405, 406, 371, 372, 373

FIG. 1 is a perspective view of an ink stamp showing my new design;

FIG. 2 is a front view thereof;

FIG. 3 is a right side view thereof, the left side being a mirror image of the right side;

FIG. 4 is a top view thereof, the bottom side being a mirror image of the top side;

FIG. 5 is a rear view thereof; and,

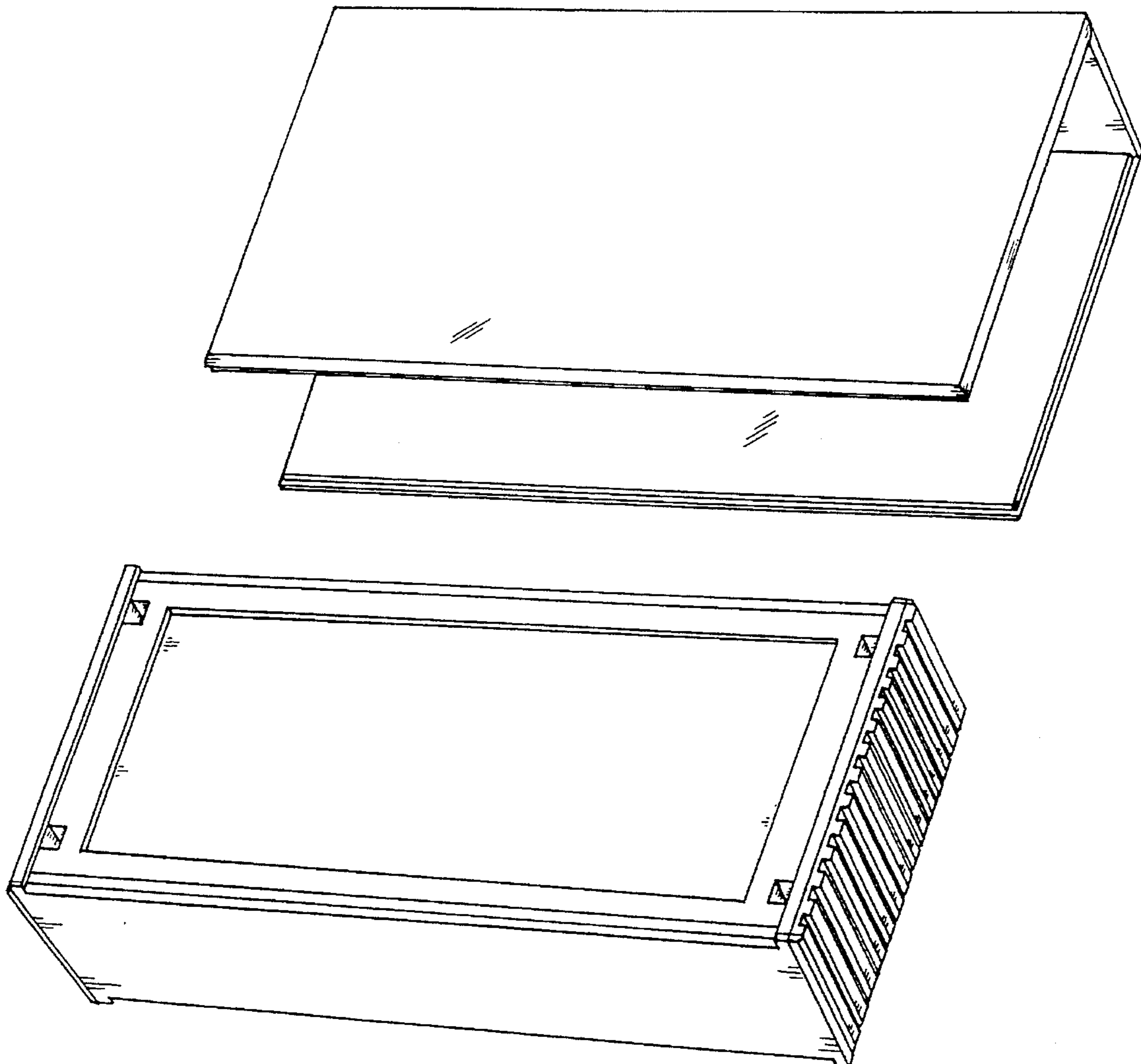
FIG. 6 is a top perspective view of the ink stamp of this invention with cover removed.

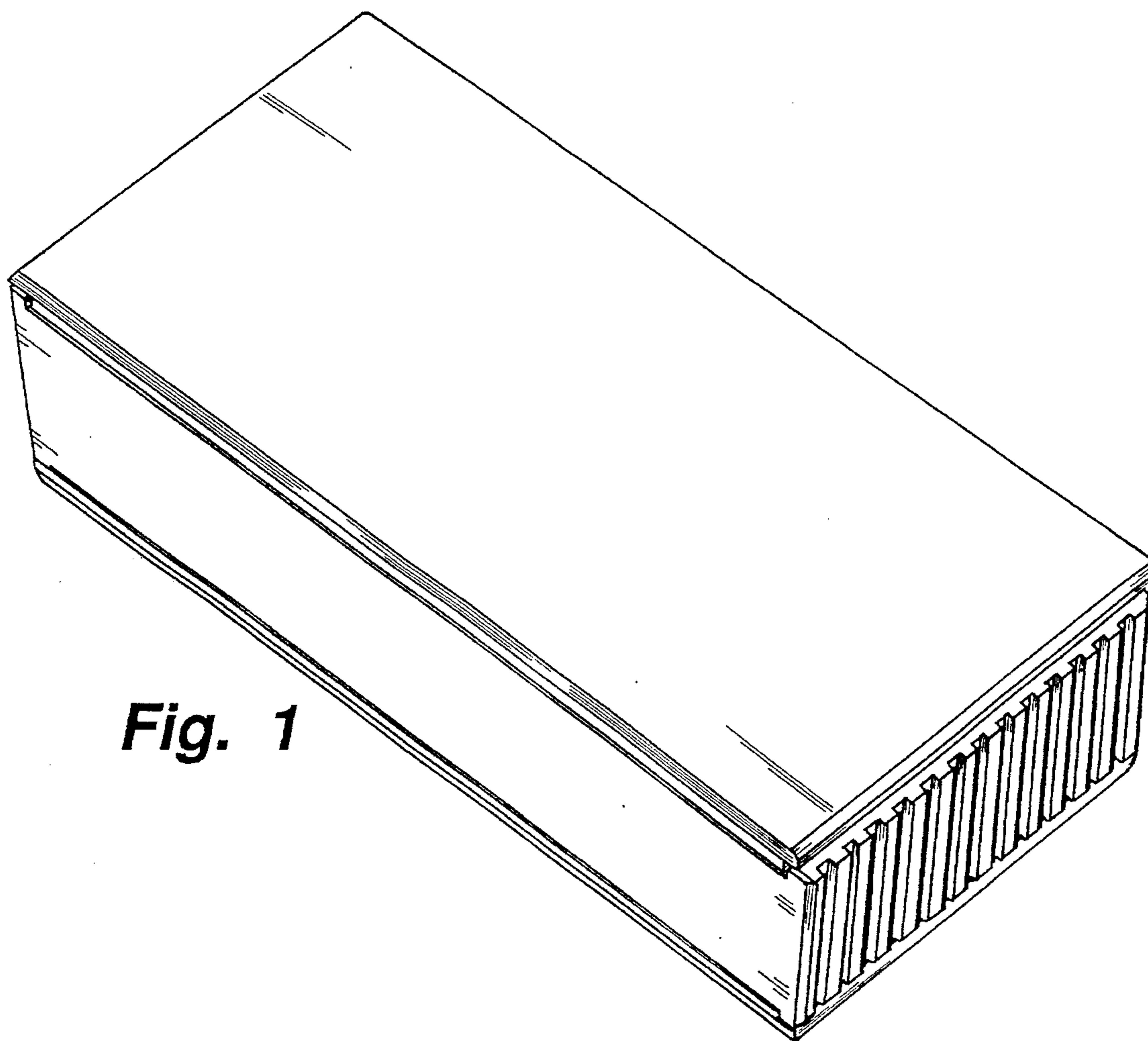
## [56] References Cited

### U.S. PATENT DOCUMENTS

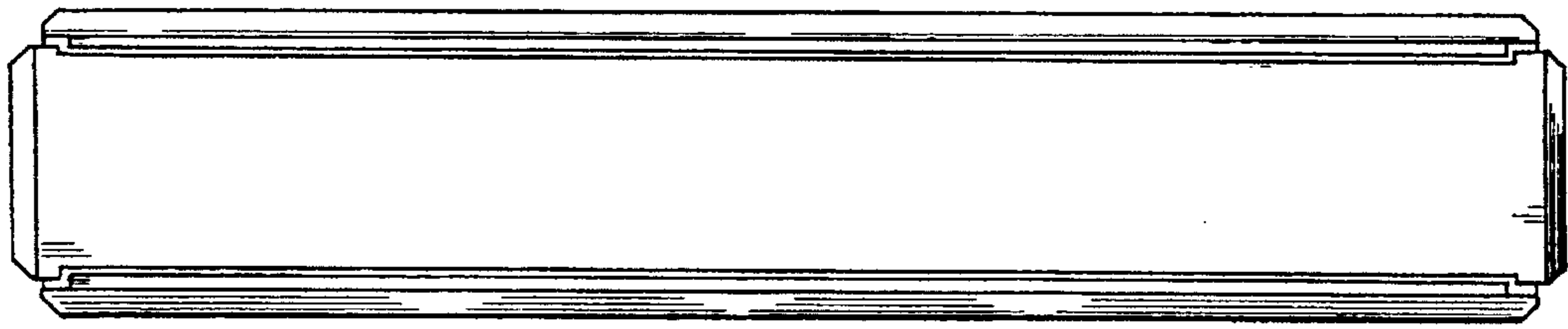
D. 232,001	7/1974	Funahasai	.....	D18/15
250,873	12/1881	Bayne	.....	118/264
D. 331,418	12/1992	Winston	.....	D18/15
2,688,307	9/1954	Nichols et al.	.....	118/264
2,920,559	1/1960	Becker	.....	D18/15 X

**1 Claim, 3 Drawing Sheets**

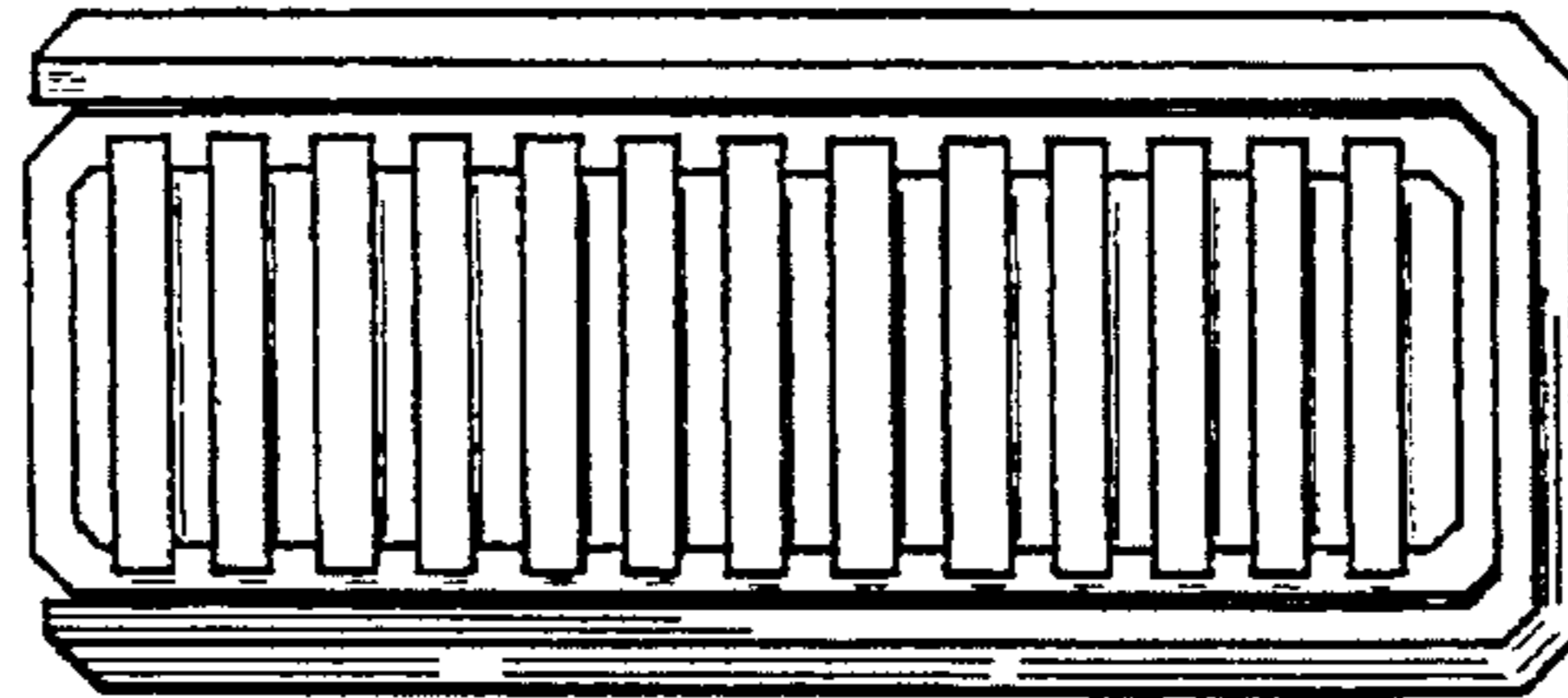




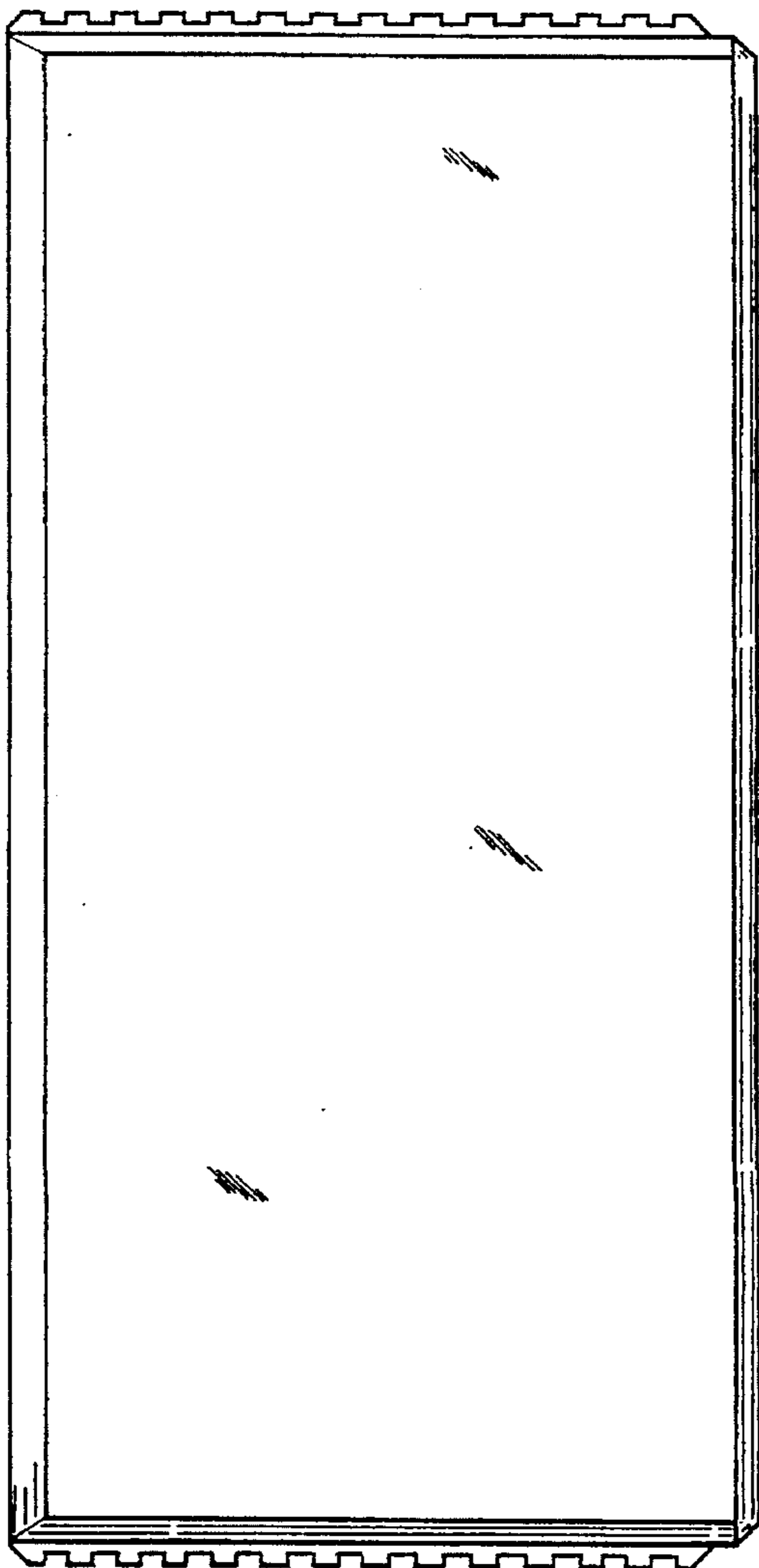
**Fig. 1**



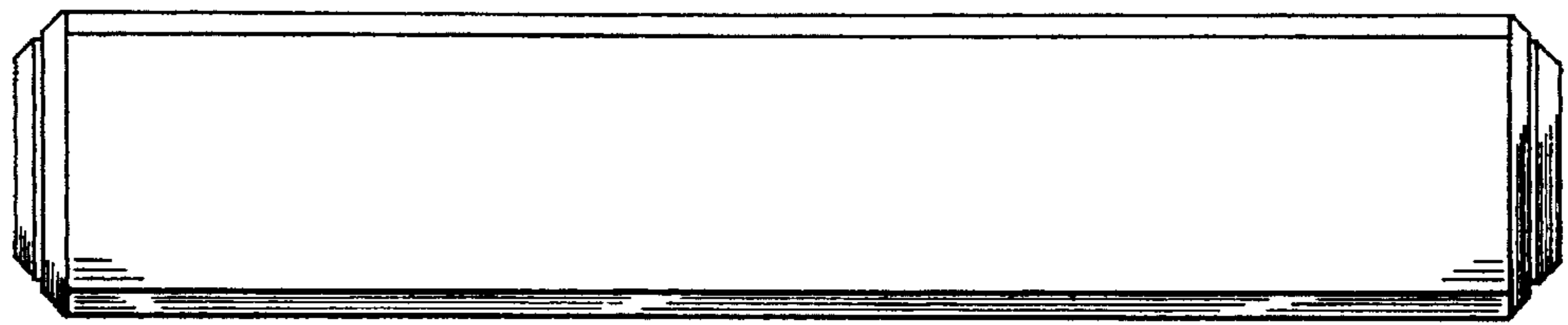
**Fig. 2**



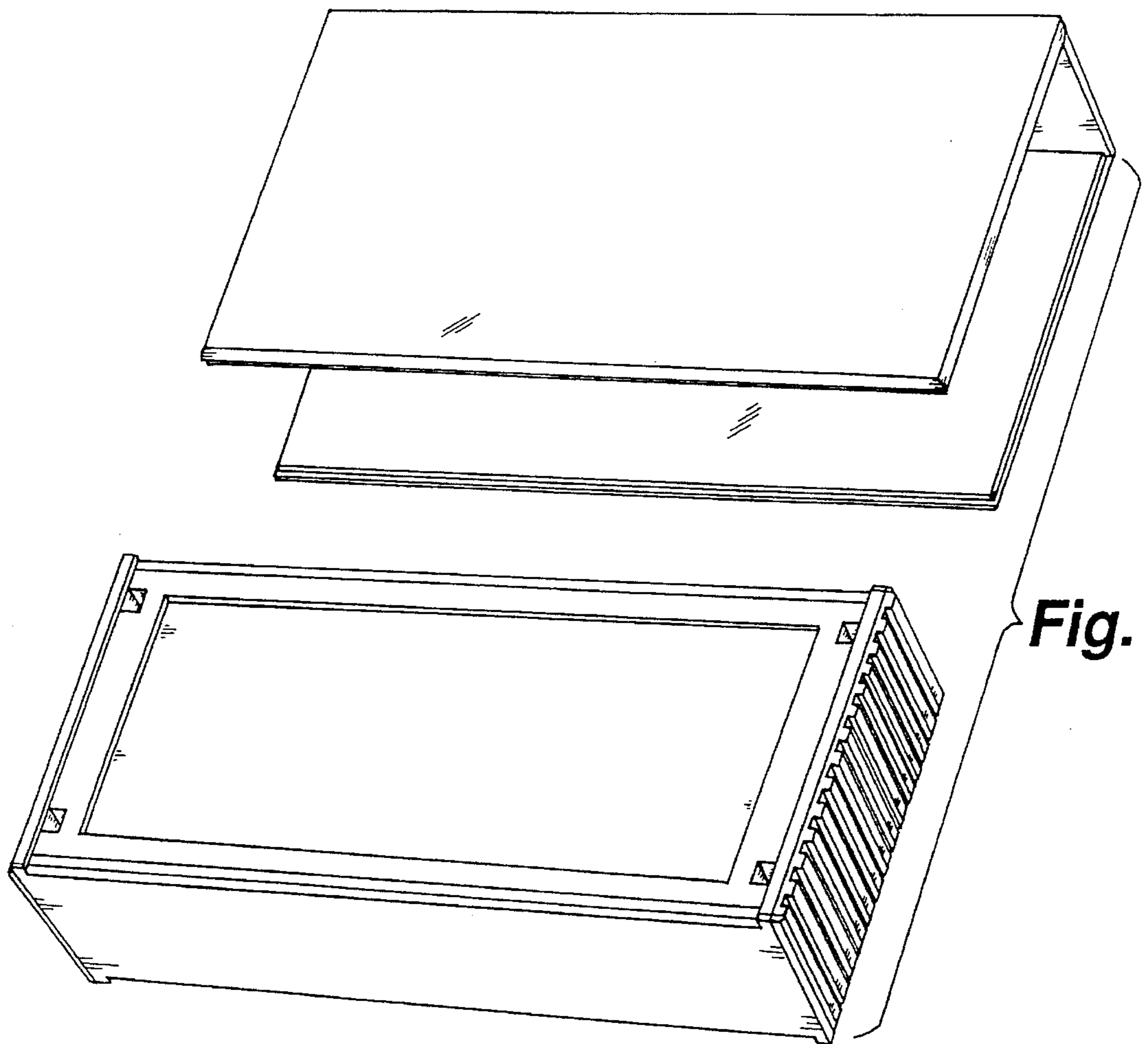
**Fig. 3**



**Fig. 4**



**Fig. 5**



**Fig. 6**