



US00D375116S

United States Patent [19]
Chiba

[11] **Patent Number:** **Des. 375,116**
[45] **Date of Patent:** ****Oct. 29, 1996**

[54] **ELECTRONIC TYPEWRITER HAVING A DISPLAY SCREEN**

[75] **Inventor:** **Toshimi Chiba**, Irvine, Calif.

[73] **Assignee:** **Canon Business Machines, Inc.**, Costa Mesa, Calif.

[**] **Term:** **14 Years**

[21] **Appl. No.:** **43,561**

[22] **Filed:** **Sep. 7, 1995**

[52] **U.S. Cl.** **D18/1; D14/100; D14/106**

[58] **Field of Search** **D18/1, 2, 7; D14/100, D14/106, 113, 115; 312/208; 400/109-111, 472, 485, 486, 691, 694, 696**

[56] **References Cited**

U.S. PATENT DOCUMENTS

D. 312,626	12/1990	Lam	D14/106
D. 331,253	11/1992	Hirose	D18/1
D. 356,104	3/1995	Matsumoto	D18/1
D. 359,752	6/1995	Yoshida	D18/1

Primary Examiner—Nelson C. Holtje
Assistant Examiner—Caron D. Veynar
Attorney, Agent, or Firm—Fitzpatrick, Cella, Harper & Scinto

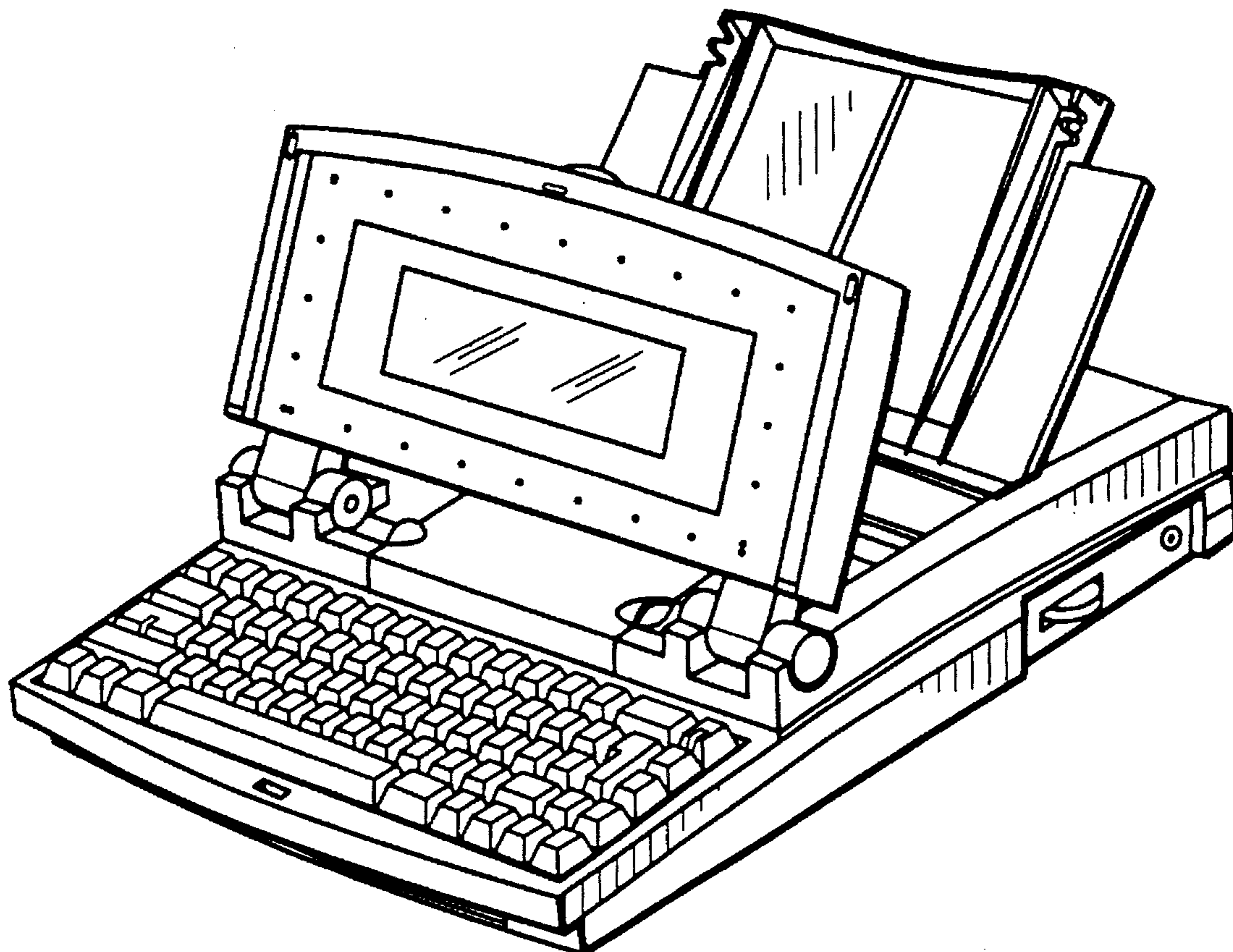
[57] **CLAIM**

The ornamental design for an electronic typewriter having a display screen, as shown and described.

DESCRIPTION

FIG. 1 is a perspective view of my new electronic typewriter having a display screen;
FIG. 2 is a left-hand side view of the electronic typewriter having a display screen;
FIG. 3 is a right-hand side view of the electronic typewriter having a display screen;
FIG. 4 is a front view of the electronic typewriter having a display screen;
FIG. 5 is a back view of the electronic typewriter having a display screen;
FIG. 6 is a top view, looking down at the electronic typewriter having a display screen;
FIG. 7 is a bottom view, looking up at the electronic typewriter having a display screen;
FIG. 8 is a front perspective view of the electronic typewriter having a display screen, with its display screen in an adjusted position for viewing and its paper support in an upright position; and,
FIG. 9 is a back perspective view of the electronic typewriter having a display screen, with its display screen in an adjusted position for viewing and its paper support in an upright position.

1 Claim, 3 Drawing Sheets



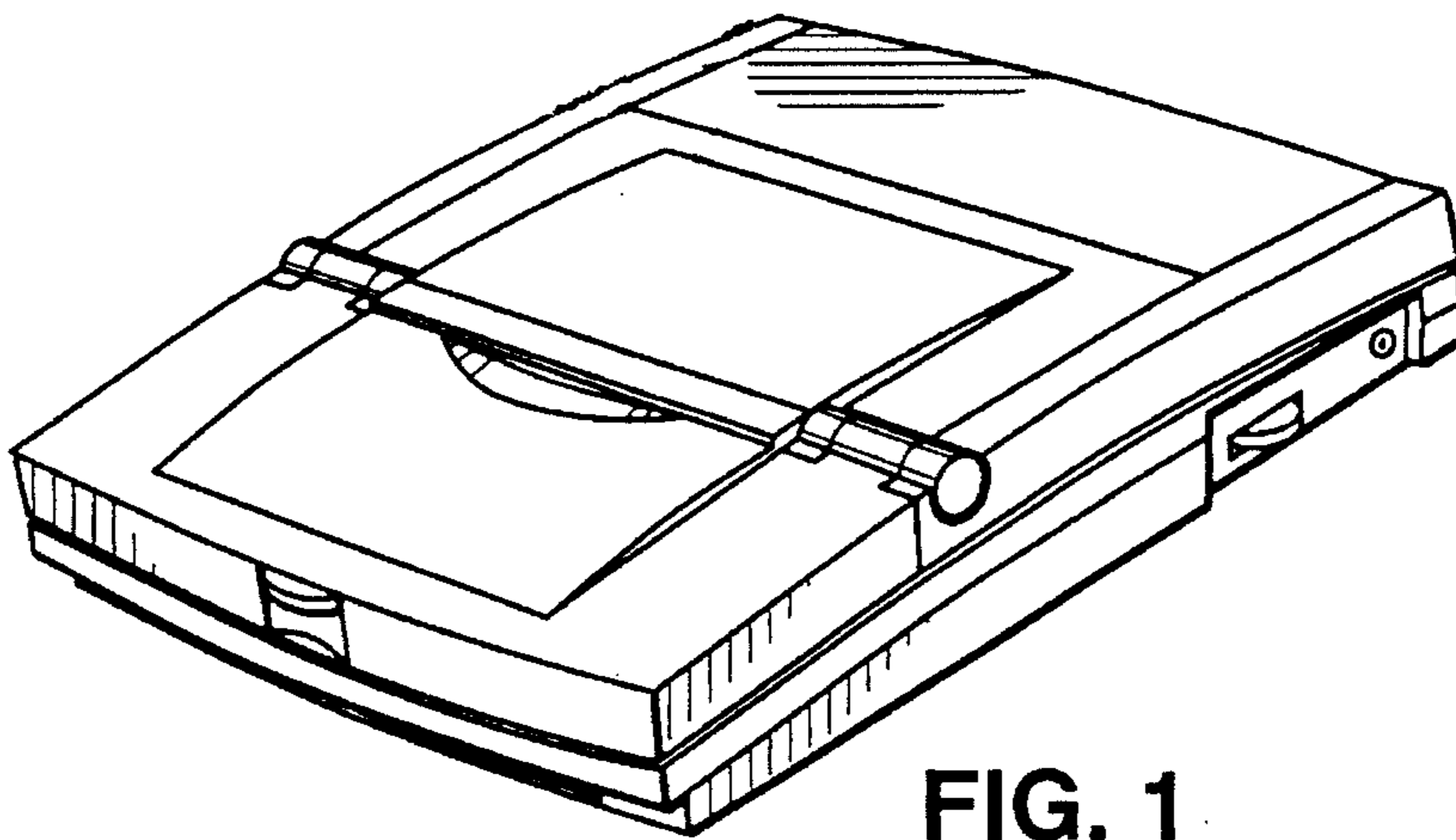


FIG. 1

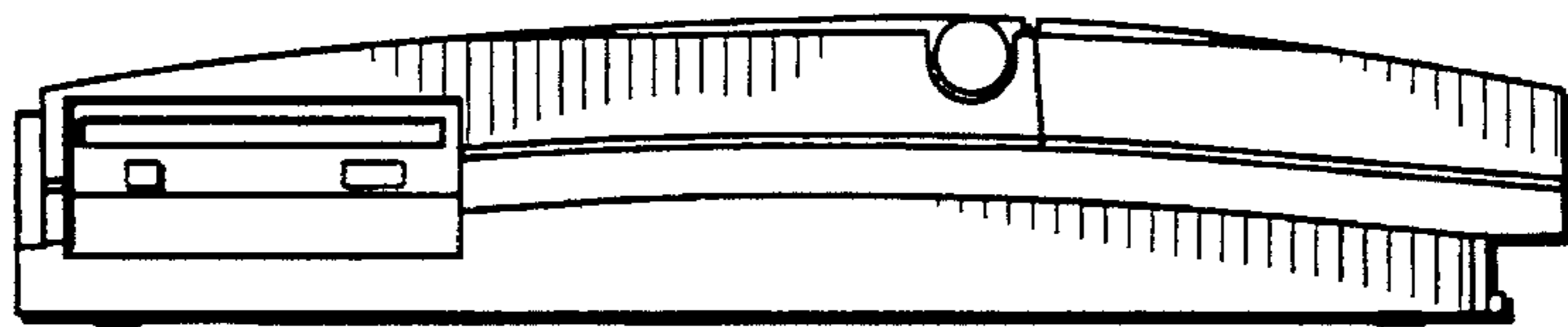


FIG. 2

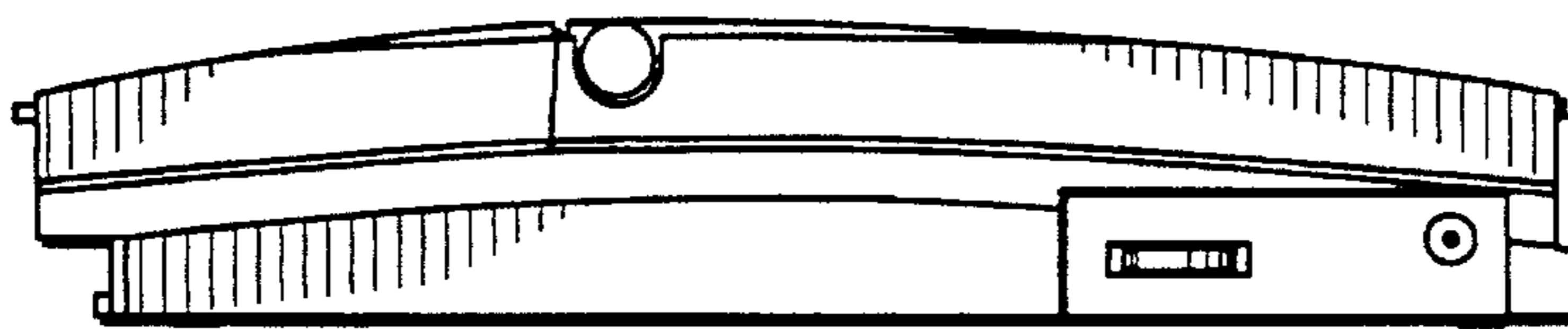


FIG. 3

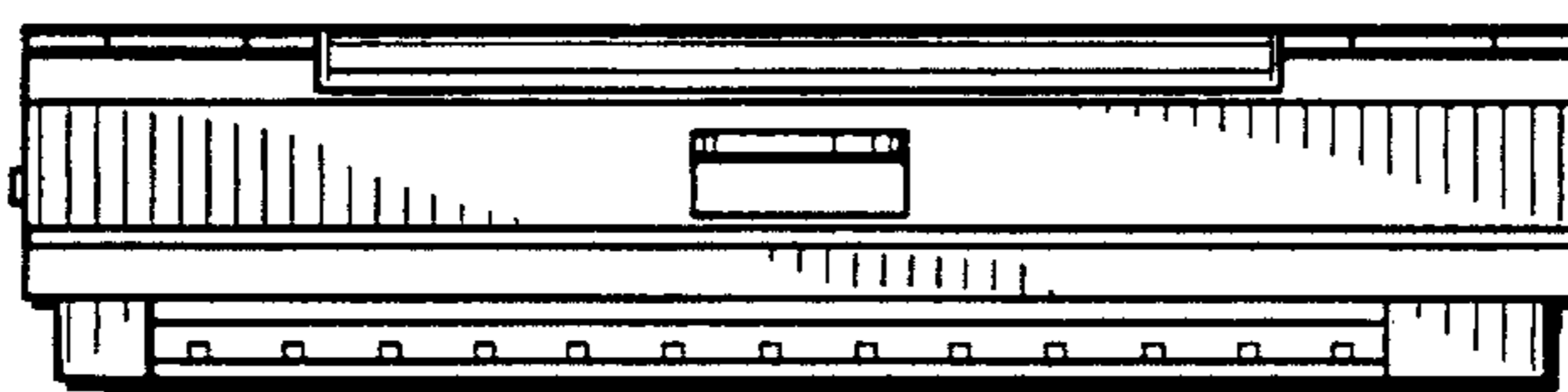


FIG. 4



FIG. 5

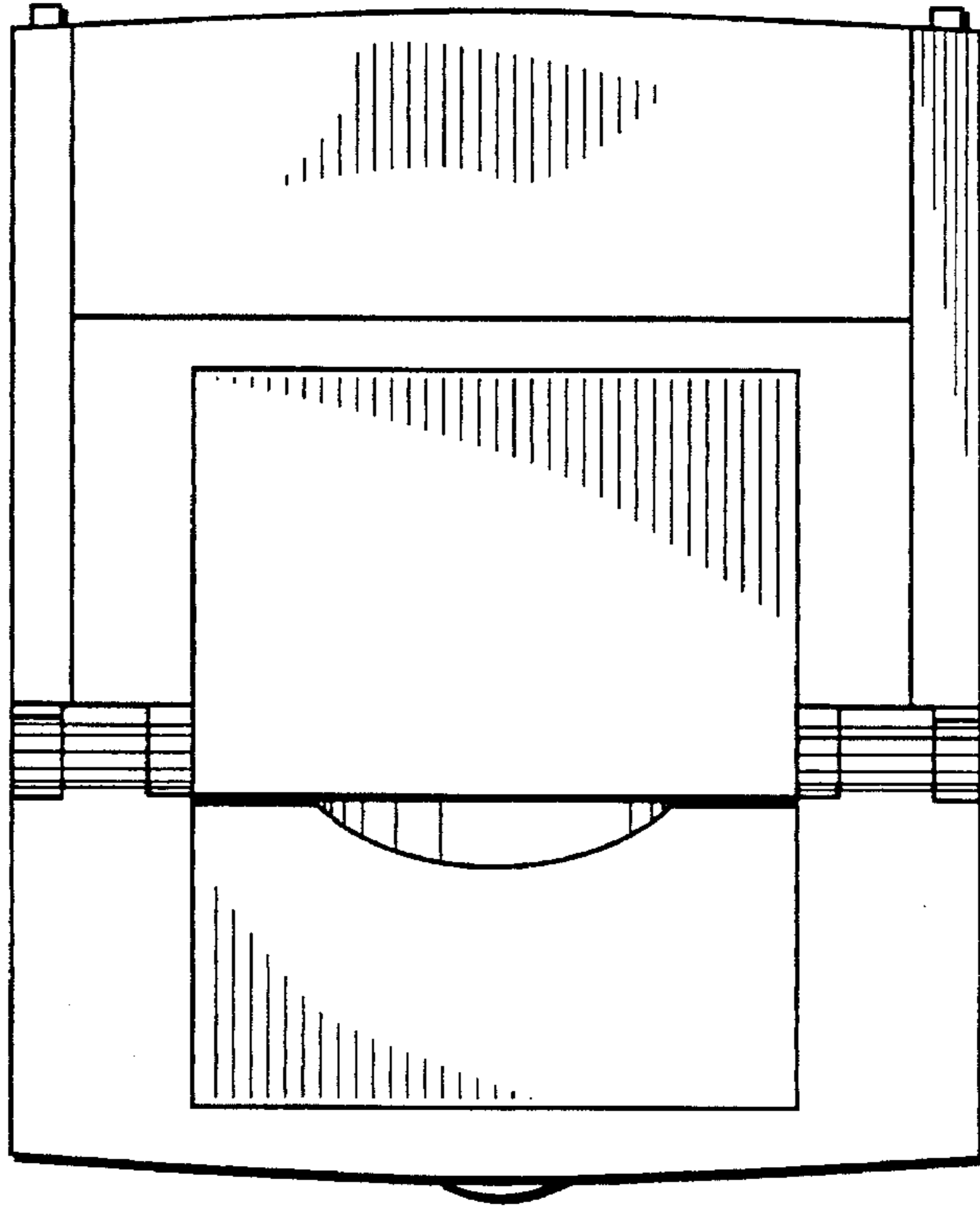


FIG. 6

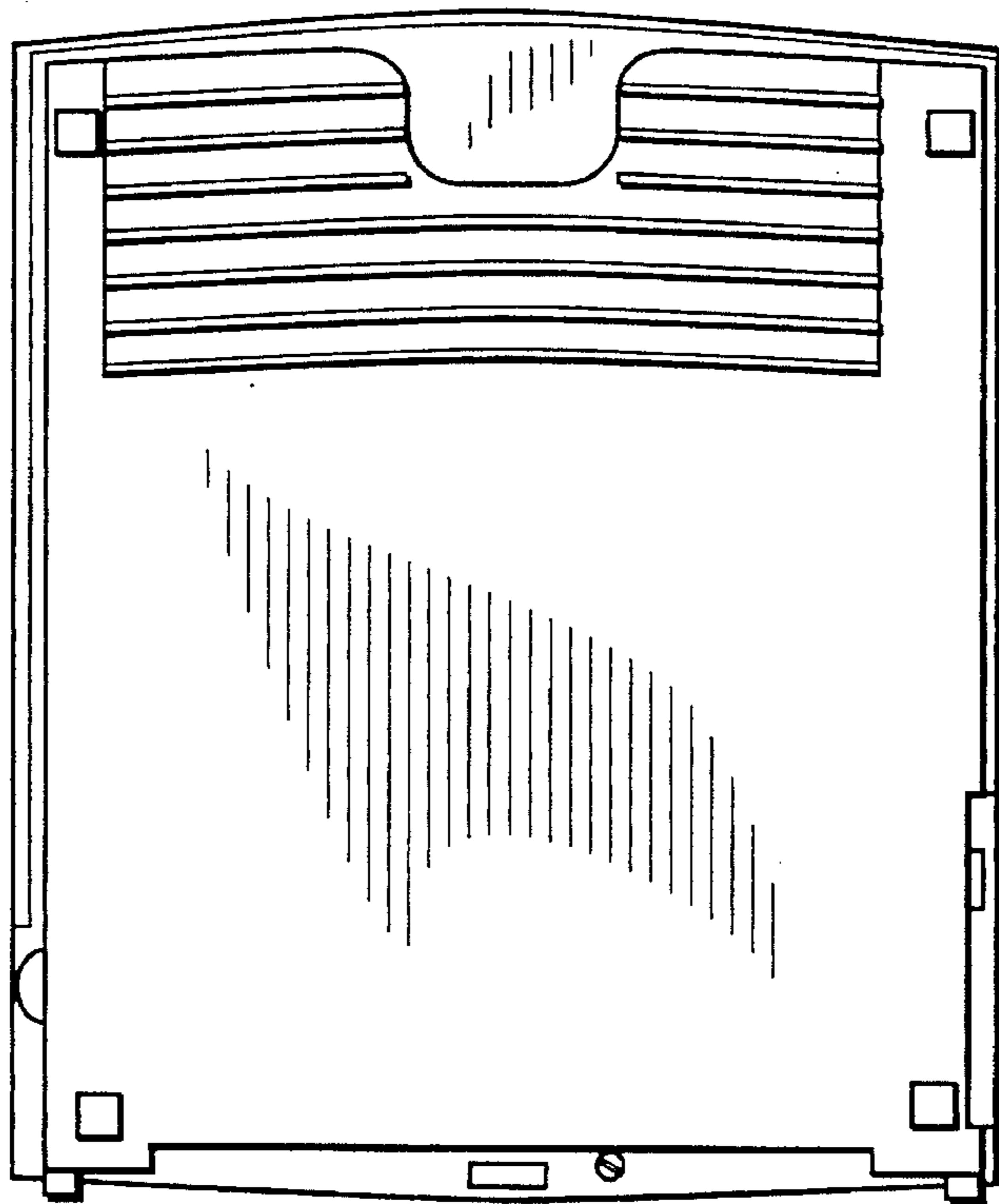


FIG. 7

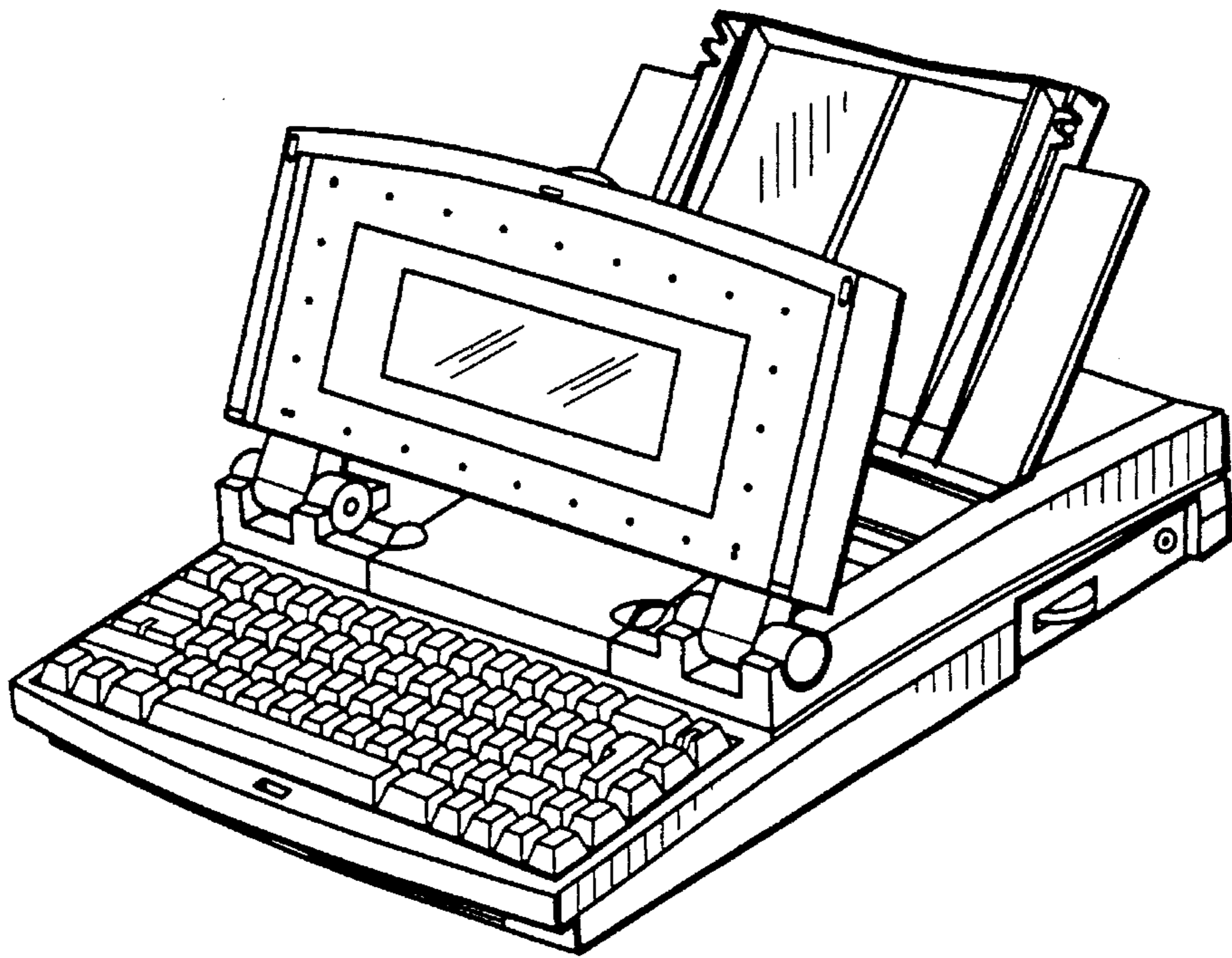


FIG. 8

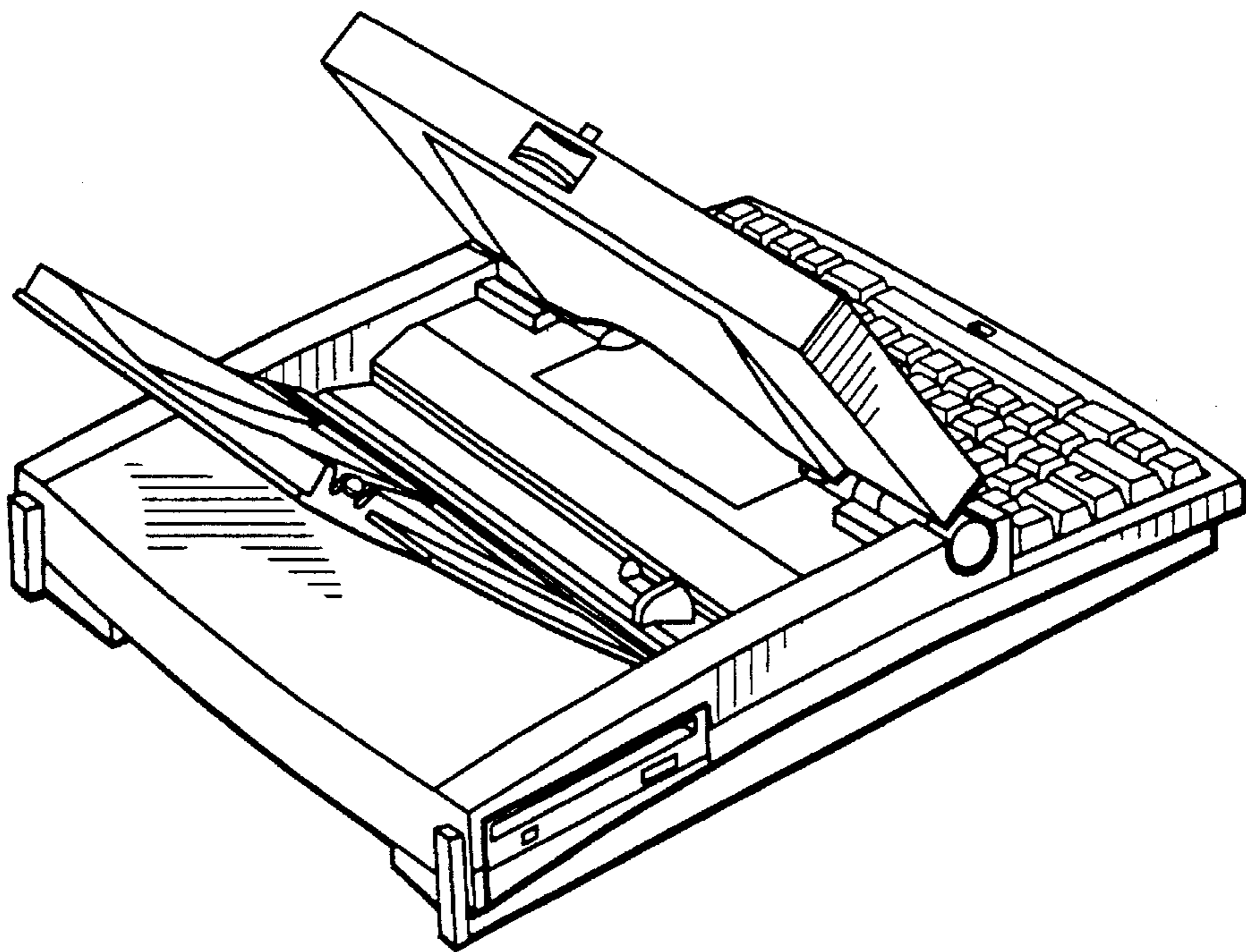


FIG. 9