



US00D375115S

United States Patent [19]

Kawada

[11] **Patent Number: Des. 375,115**

[45] **Date of Patent: **Oct. 29, 1996**

[54] **MUSICAL TONE CONTROL APPARATUS**

[75] Inventor: **Manabu Kawada**, Hamamatsu, Japan

[73] Assignee: **Yamaha Corporation**, Japan

[**] Term: **14 Years**

[21] Appl. No.: **38,184**

[22] Filed: **Apr. 28, 1995**

[30] **Foreign Application Priority Data**

Nov. 4, 1994 [JP] Japan 6-33663

[52] **U.S. Cl.** **D17/99**

[58] **Field of Search** D17/99; 84/600,
84/644, 670, 687, 718, DIG. 7

[56] **References Cited**

U.S. PATENT DOCUMENTS

D. 352,520 11/1994 Matsushima D17/99

5,027,688 7/1991 Suzuki et al. 84/600

5,192,823 3/1993 Suzuki et al. 84/600

5,290,964 3/1994 Hiyoshi et al. 84/600

Primary Examiner—Ted Shooman

Assistant Examiner—Adir Aronovich

Attorney, Agent, or Firm—Ostrolenk, Faber, Gerb & Soffen, LLP

[57] **CLAIM**

The ornamental design for musical tone control apparatus, as shown.

DESCRIPTION

FIG. 1 is a top, front, right side perspective view of musical tone control apparatus showing my new design;

FIG. 2 is a top rear, left side perspective view of musical tone control apparatus showing my new design;

FIG. 3 is a front view thereof;

FIG. 4 is a top view thereof;

FIG. 5 is a right side view thereof;

FIG. 6 is a left side view thereof;

FIG. 7 is a bottom view thereof; and,

FIG. 8 is a rear view thereof.

1 Claim, 2 Drawing Sheets

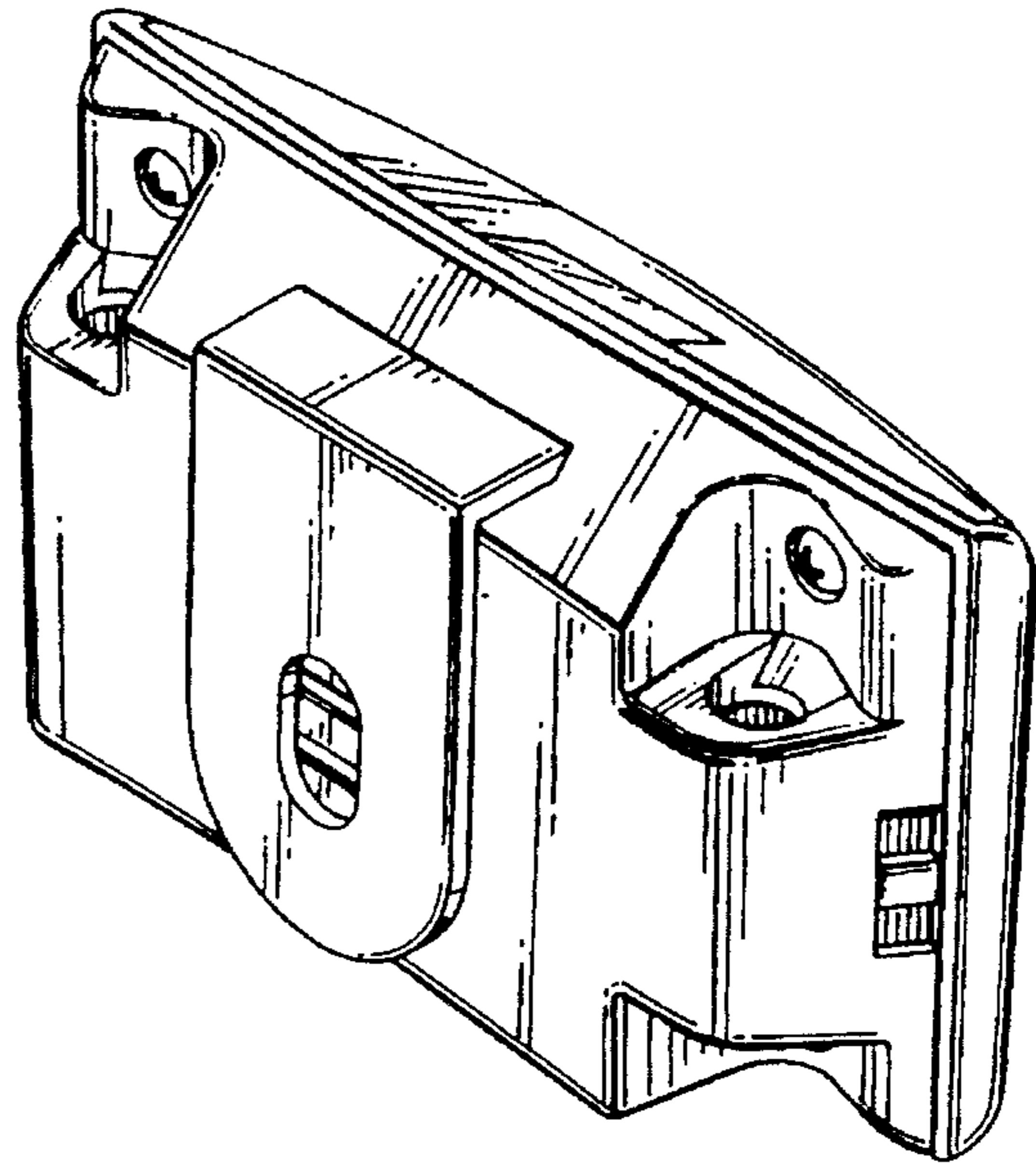
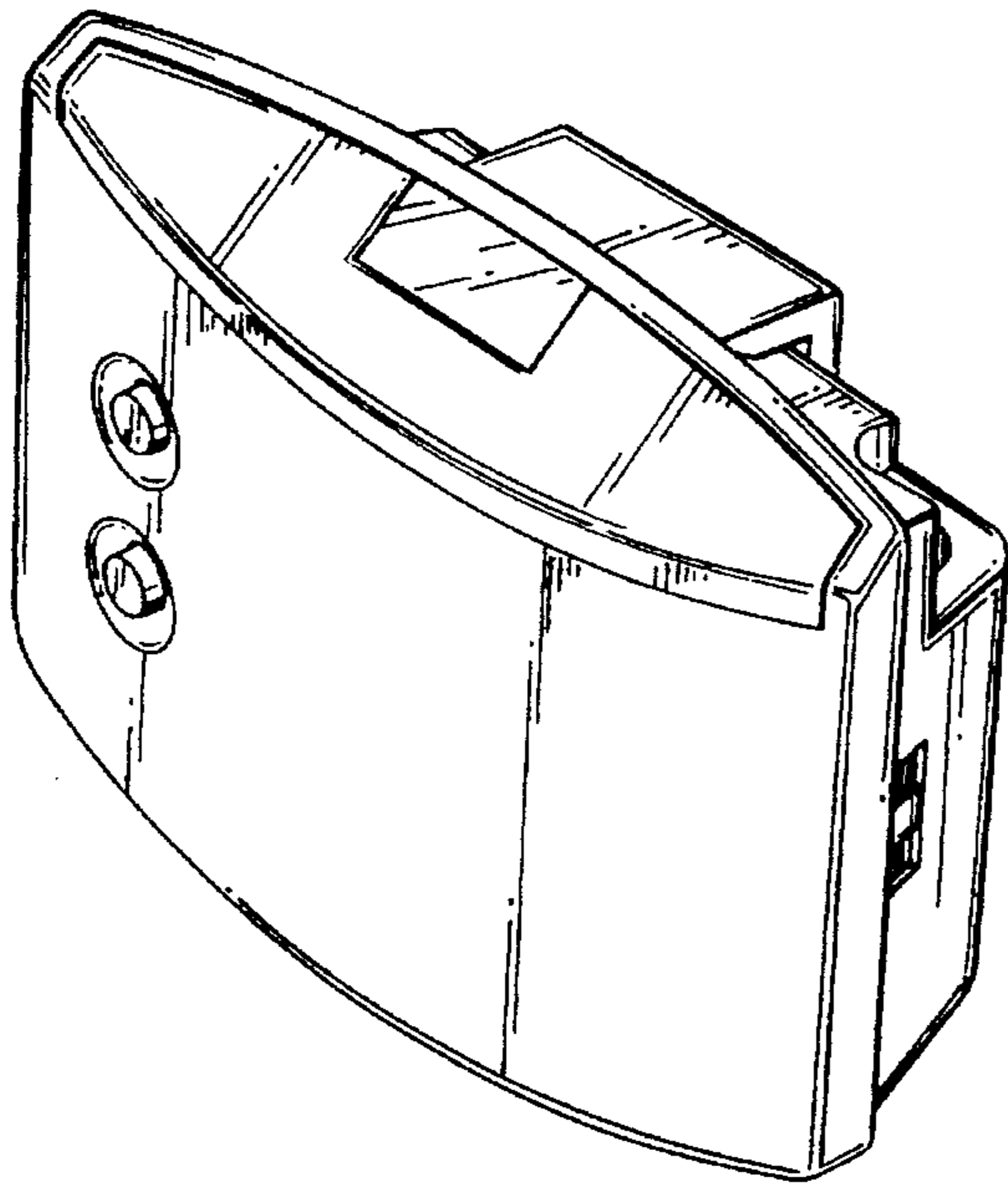


FIG-1

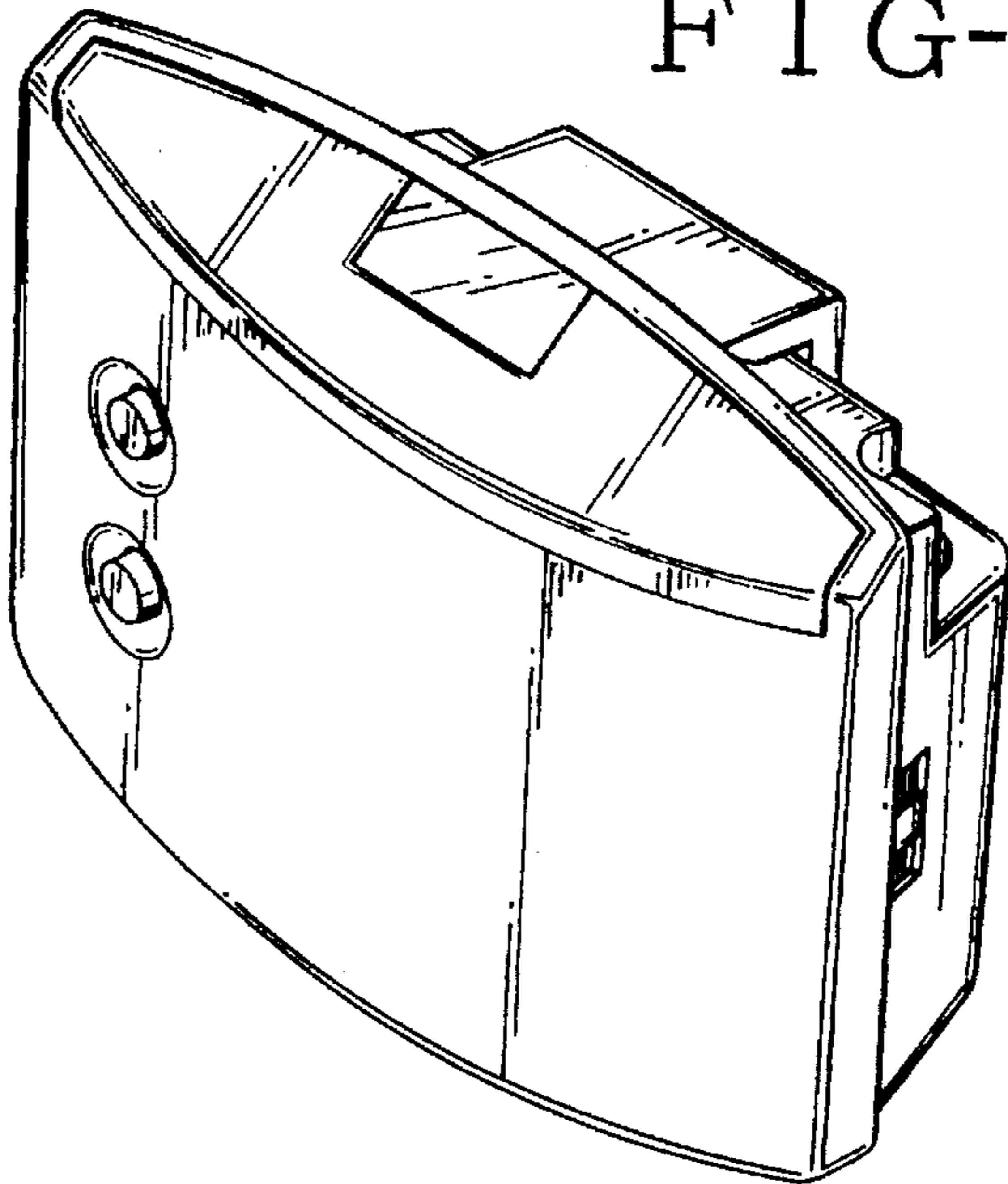


FIG-2

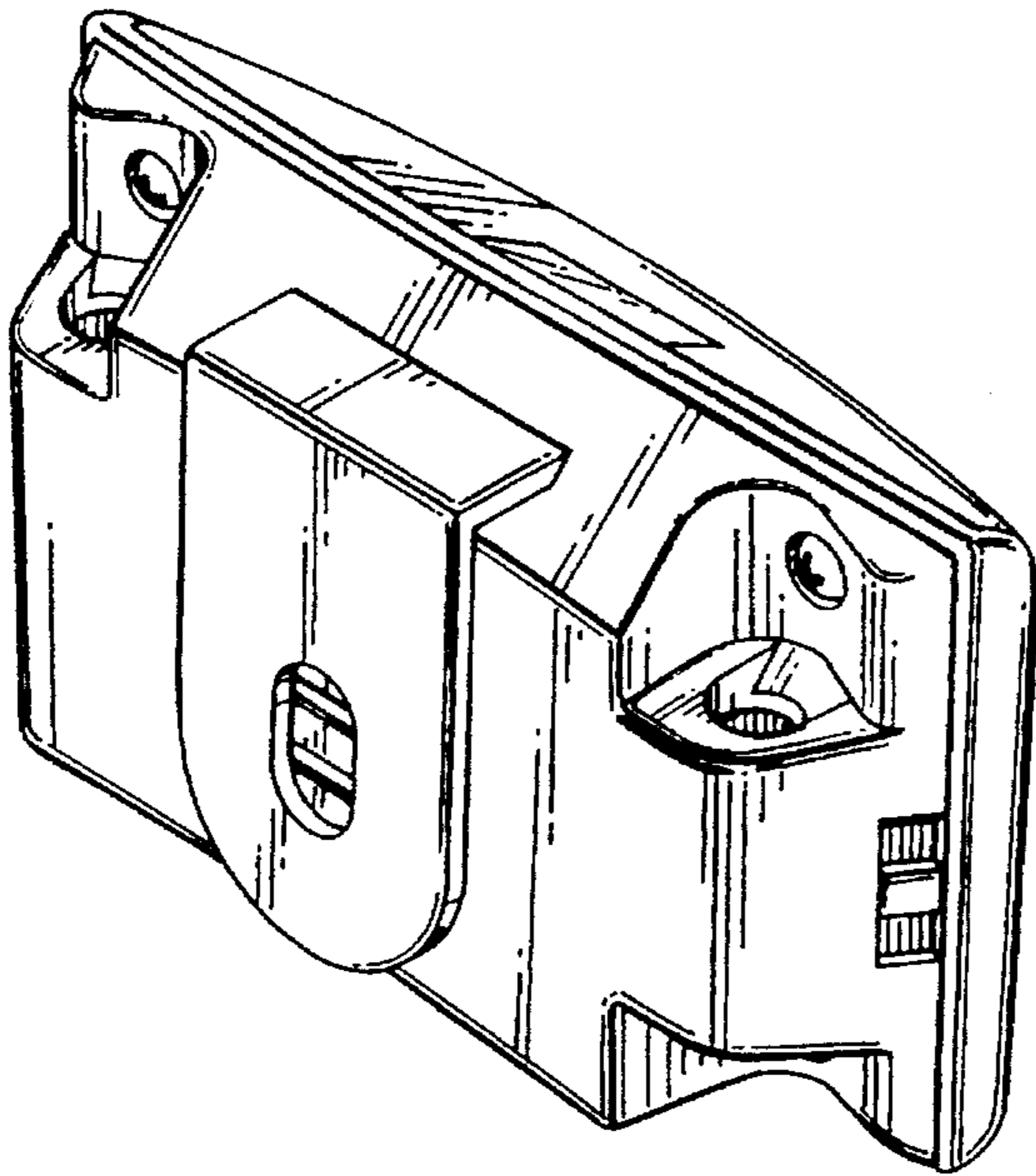


FIG-3

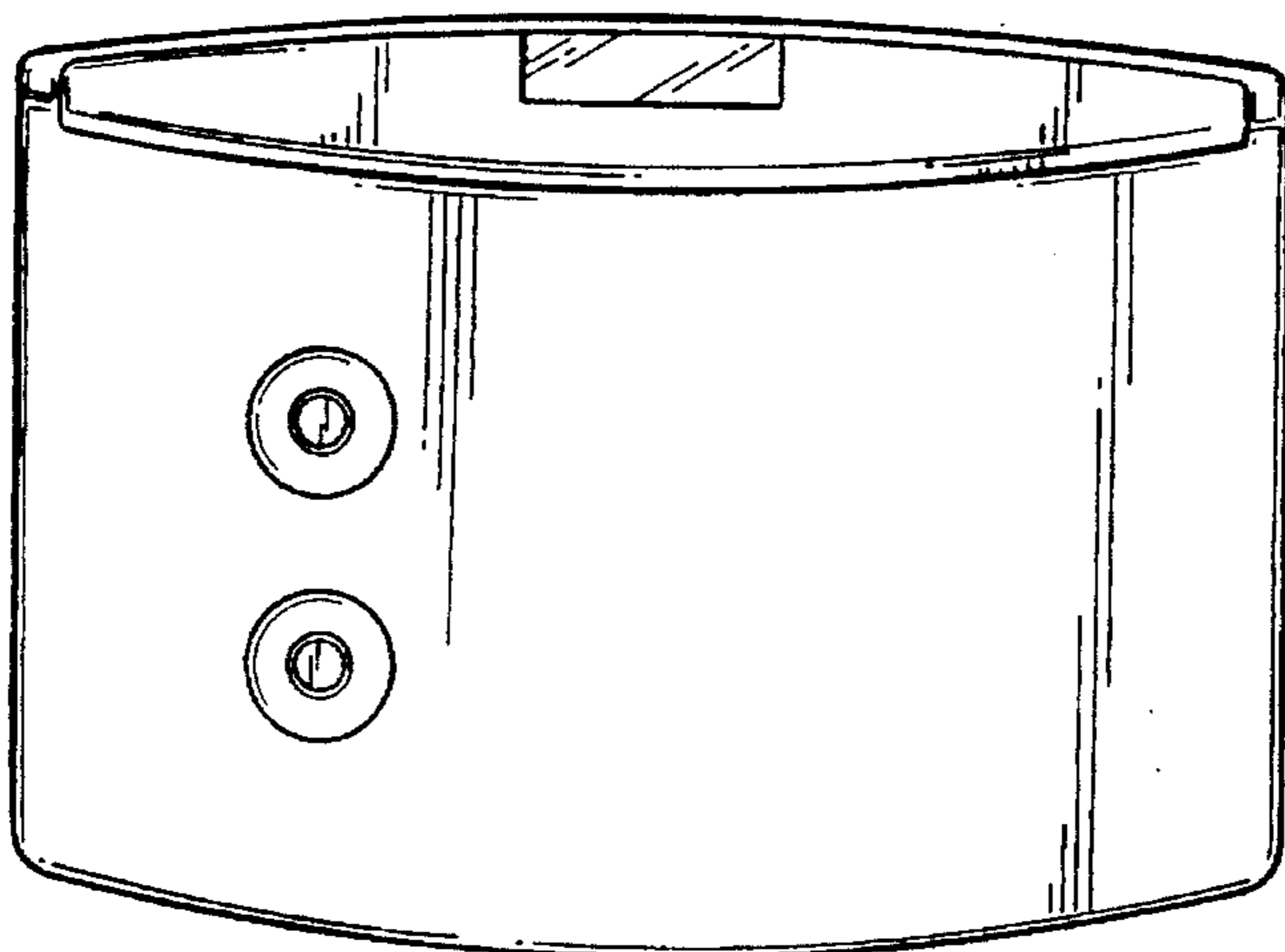


FIG-4

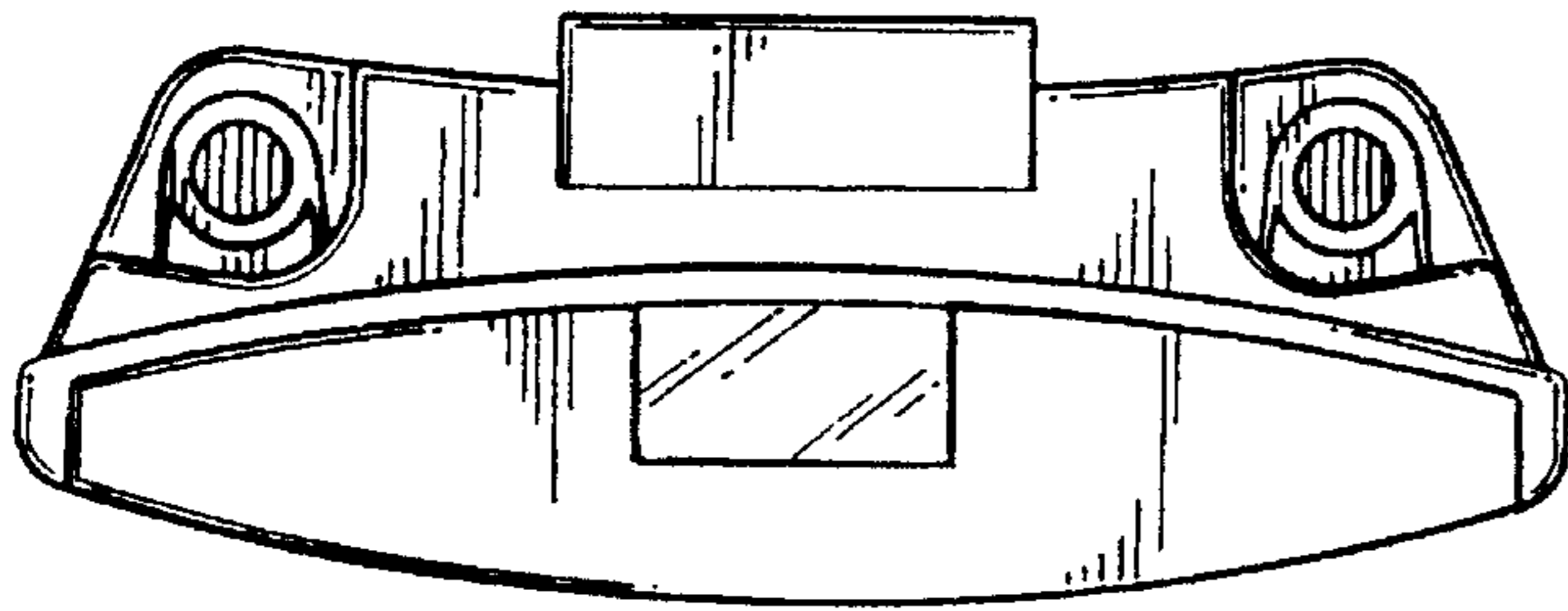


FIG-5



FIG-6

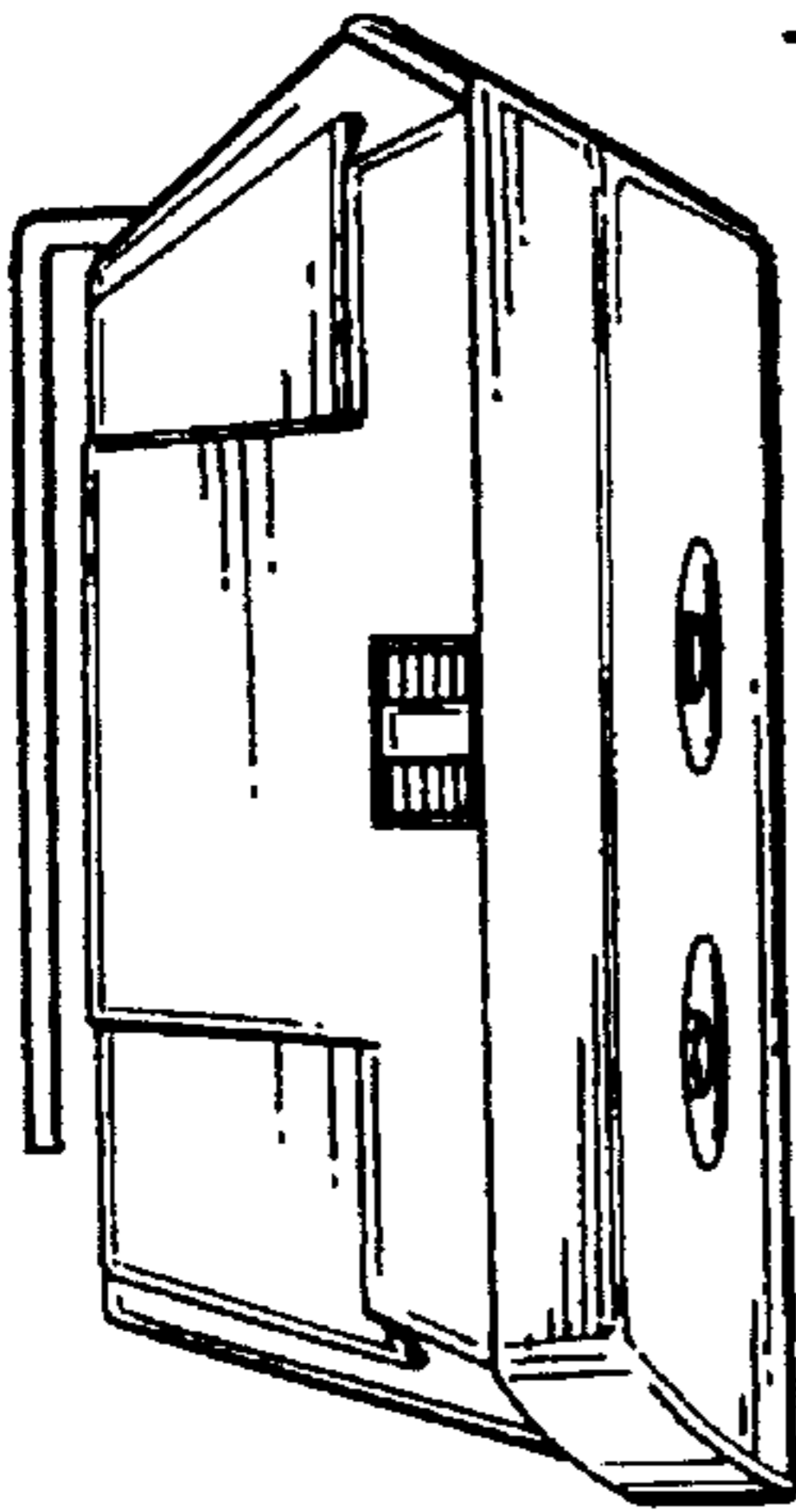


FIG-7

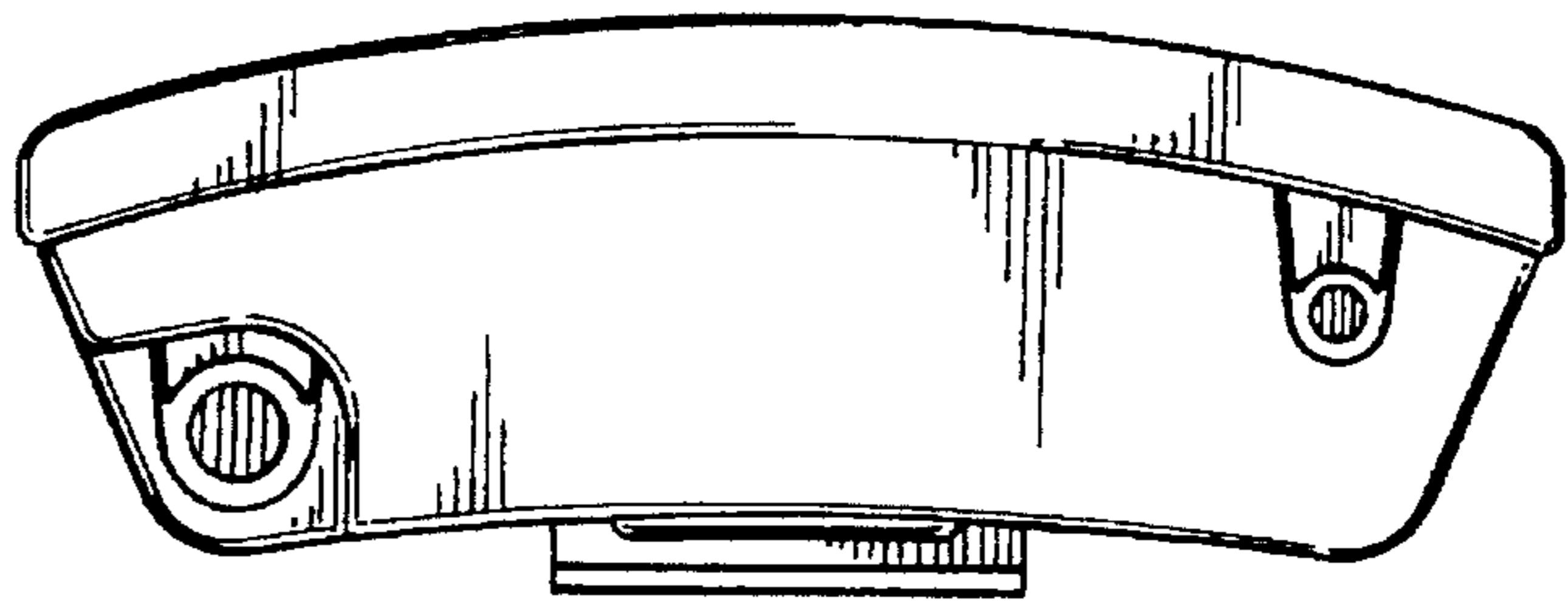


FIG-8

