



US00D375110S

United States Patent [19]

[11] Patent Number: **Des. 375,110**

McBride et al.

[45] Date of Patent: ****Oct. 29, 1996**

[54] **CAMERA WITH RETRACTABLE LENS COVER**

Assistant Examiner—Adir Aronovich
Attorney, Agent, or Firm—Roger A. Fields

[75] Inventors: **John K. McBride**, Rochester, N.Y.;
Robert H. Bruno, Avon, Conn.; **Mark D. Dziersk**, Chicago, Ill.

[57] **CLAIM**

The ornamental design for a camera with retractable lens cover, as shown and described.

[73] Assignee: **Eastman Kodak Company**, Rochester, N.Y.

DESCRIPTION

[**] Term: **14 Years**

[21] Appl. No.: **45,184**

FIG. 1 is a front, top, right-side perspective view of a camera with retractable lens cover, with the lens cover retracted, showing our new design;

[22] Filed: **Oct. 12, 1995**

FIG. 2 is a rear, bottom, left-side perspective view thereof;

[52] U.S. Cl. **D16/209; D16/217**

FIG. 3 is a front elevation view thereof;

[58] Field of Search **D16/200-204, D16/208-209, 211-213, 216-218; 354/126, 149.11, 202, 288**

FIG. 4 is a rear elevation view thereof;

FIG. 5 is a top plan view thereof;

FIG. 6 is a bottom plan view thereof;

FIG. 7 is a left-side elevation view thereof;

FIG. 8 is a right-side elevation view thereof;

FIG. 9 is a front, top, right-side, perspective view thereof, with the retractable lens cover not retracted;

FIG. 10 is a front elevation view thereof;

FIG. 11 is a top plan view thereof;

FIG. 12 is a bottom plan view thereof; and,

FIG. 13 is a left side elevational view thereof.

The right side and rear views are identical to that shown in FIGS. 8 and 4 respectively.

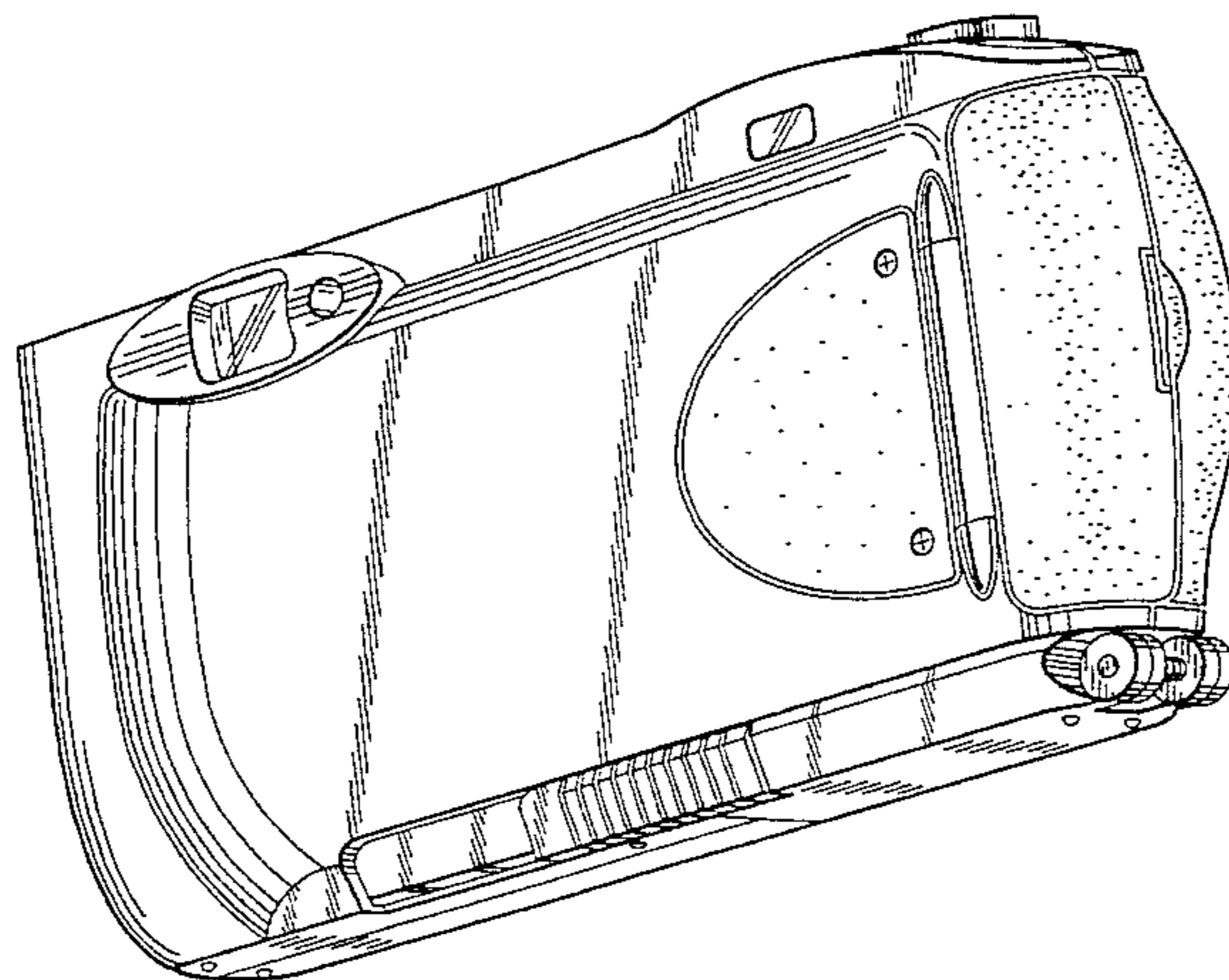
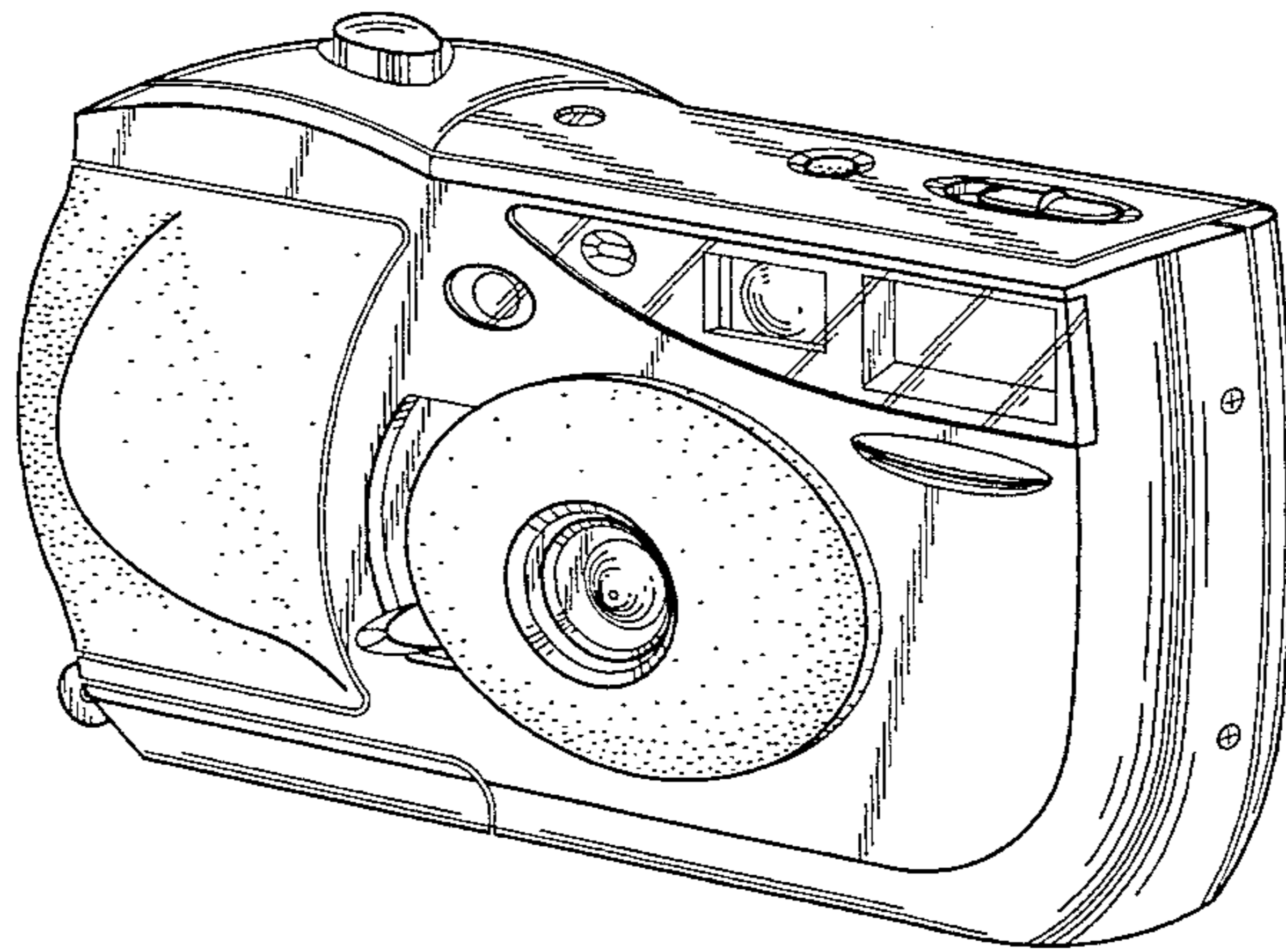
[56] References Cited

U.S. PATENT DOCUMENTS

D. 323,518	1/1992	Ko	D16/200
D. 339,366	9/1993	Shirai	D16/209
D. 350,554	9/1994	Shirai	D16/209
D. 353,153	12/1994	isozaki	D16/209
D. 354,762	1/1995	Koinuma	D16/209
4,943,822	7/1990	Braunhut	354/288

Primary Examiner—Ted Shooman

1 Claim, 13 Drawing Sheets



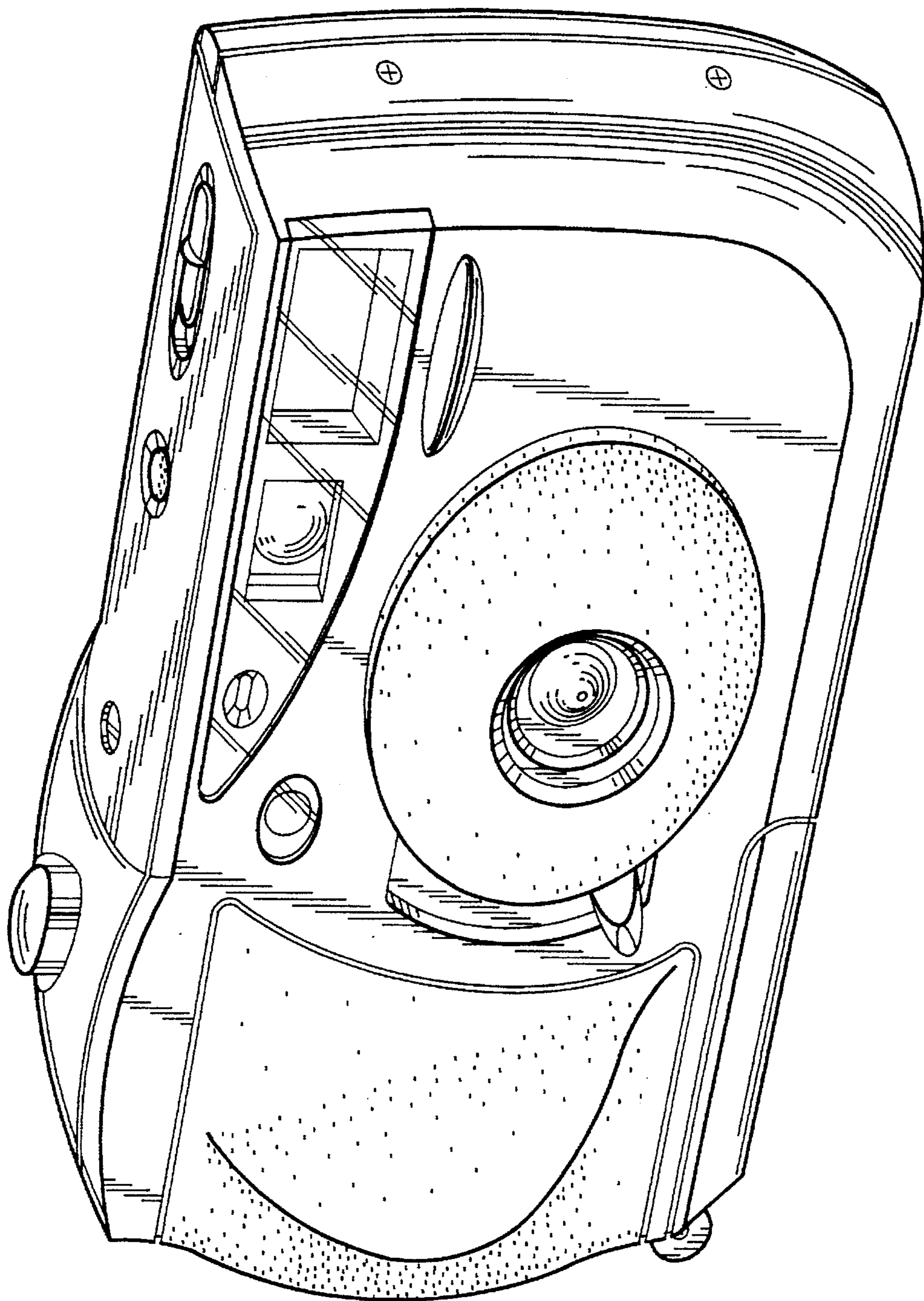


FIG. 1

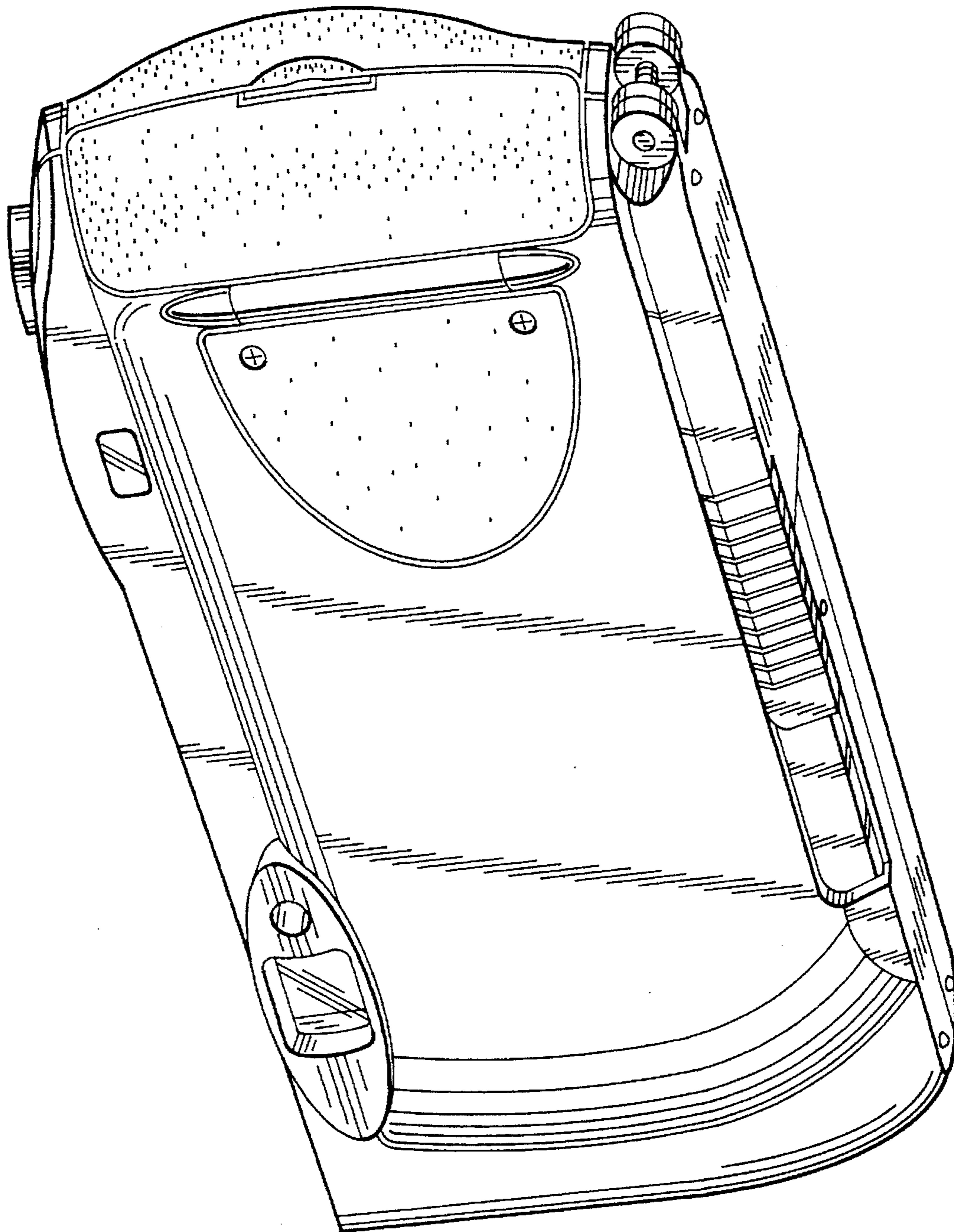


FIG. 2

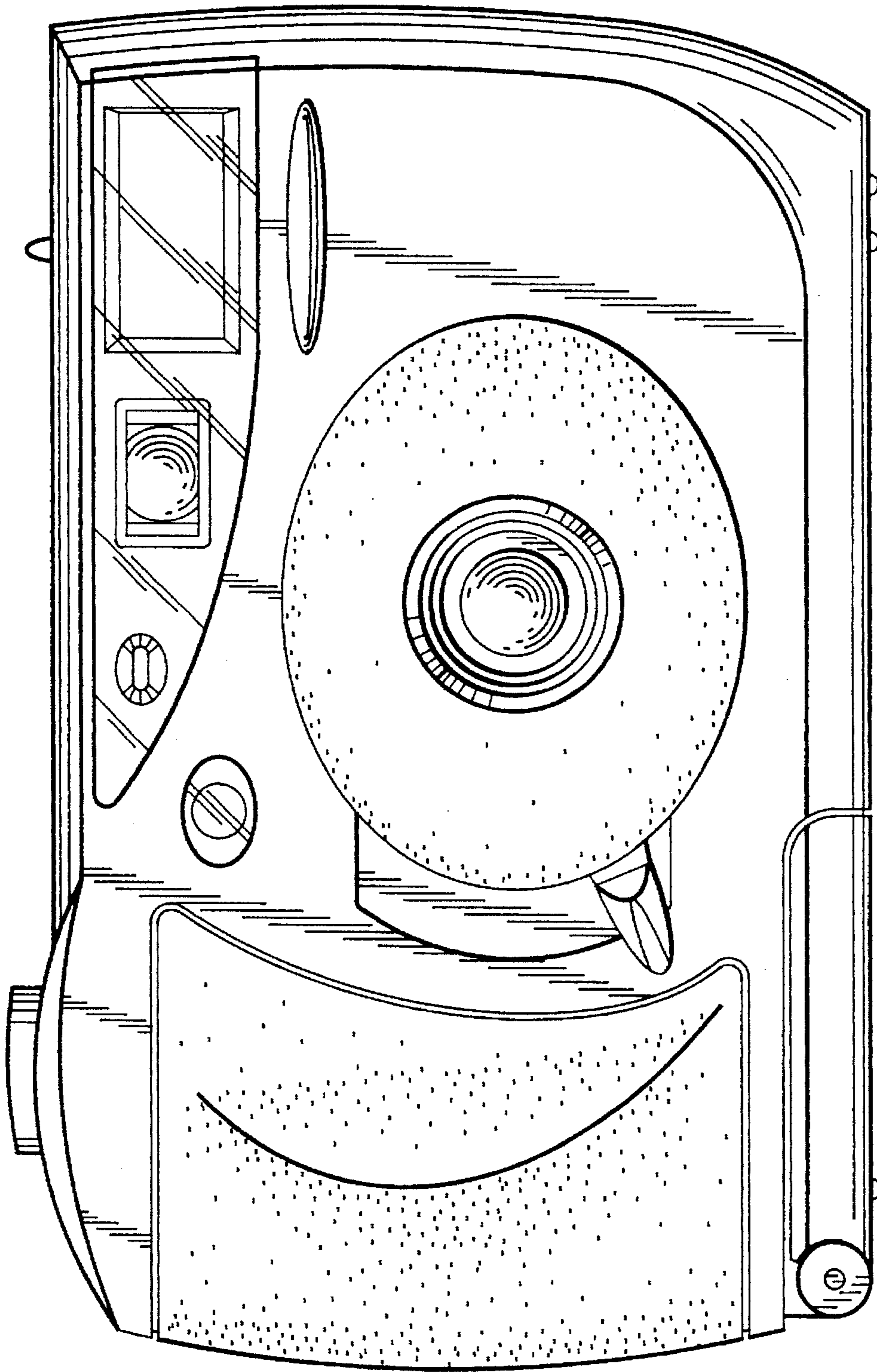


FIG. 3

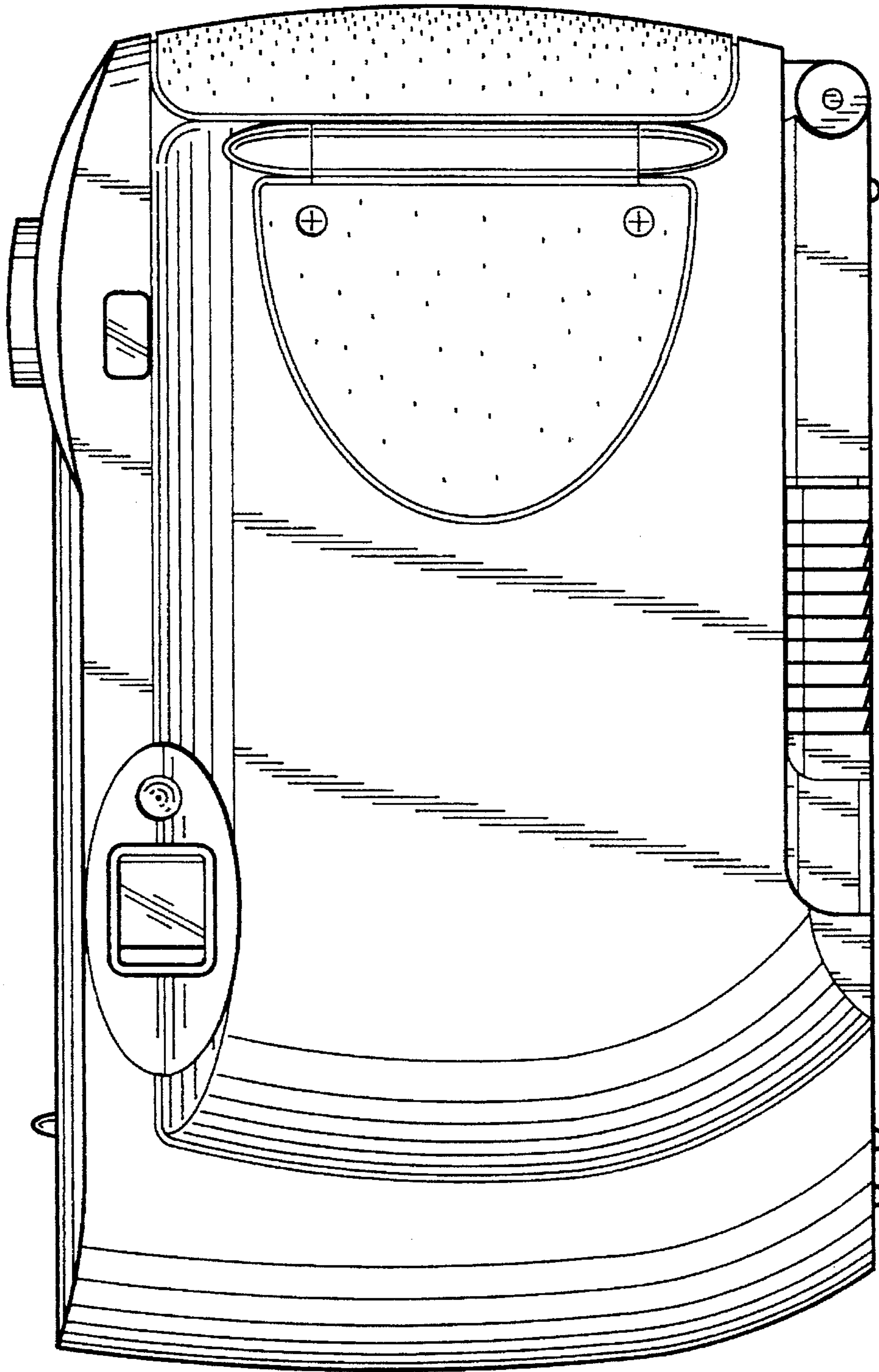


FIG. 4

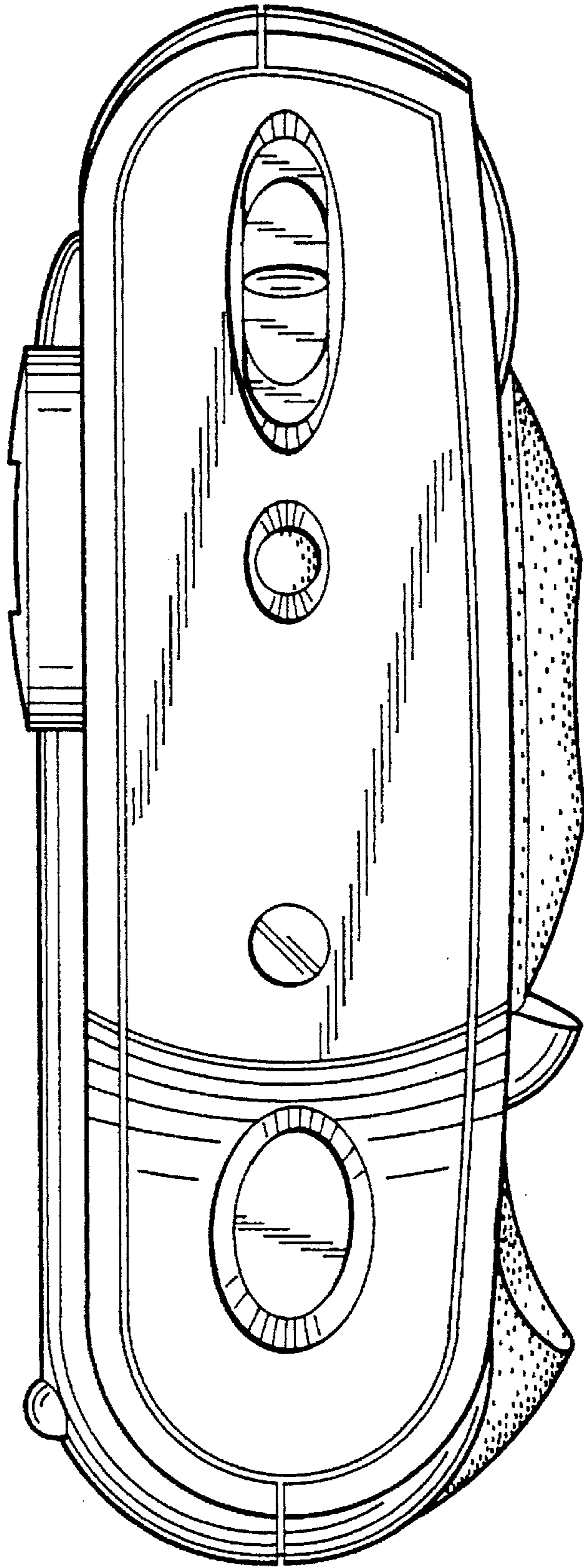


FIG. 5

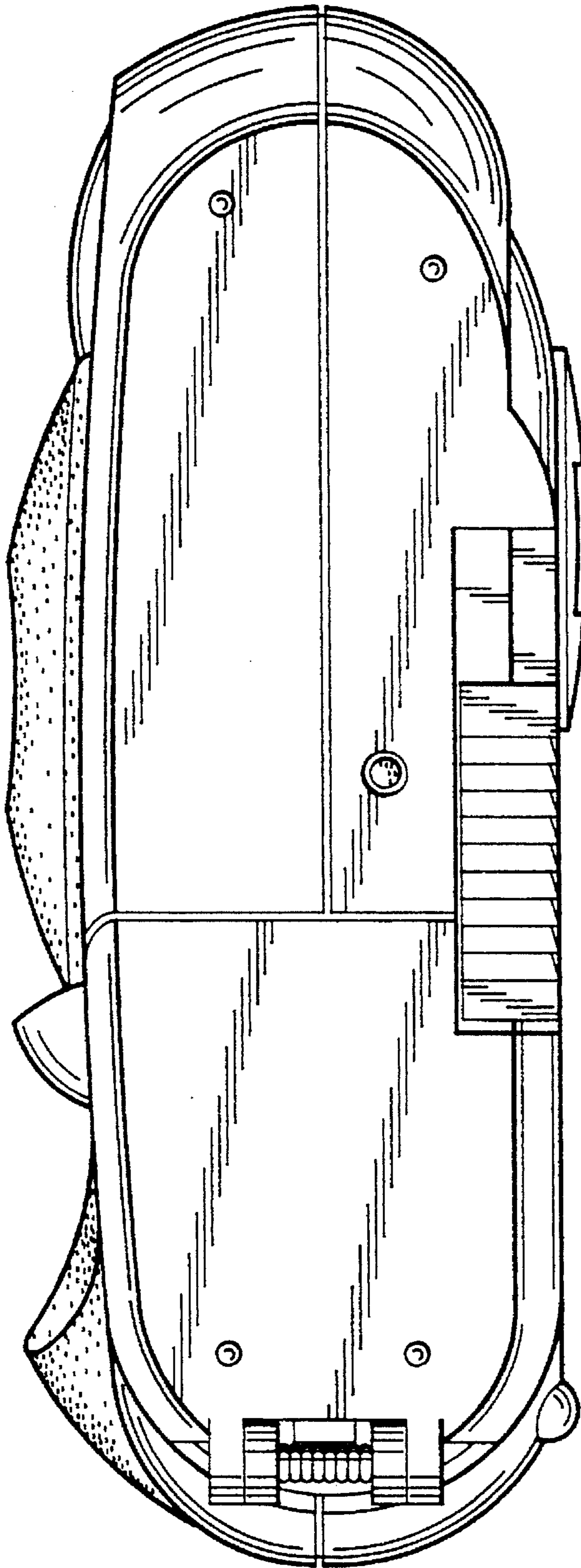


FIG. 6

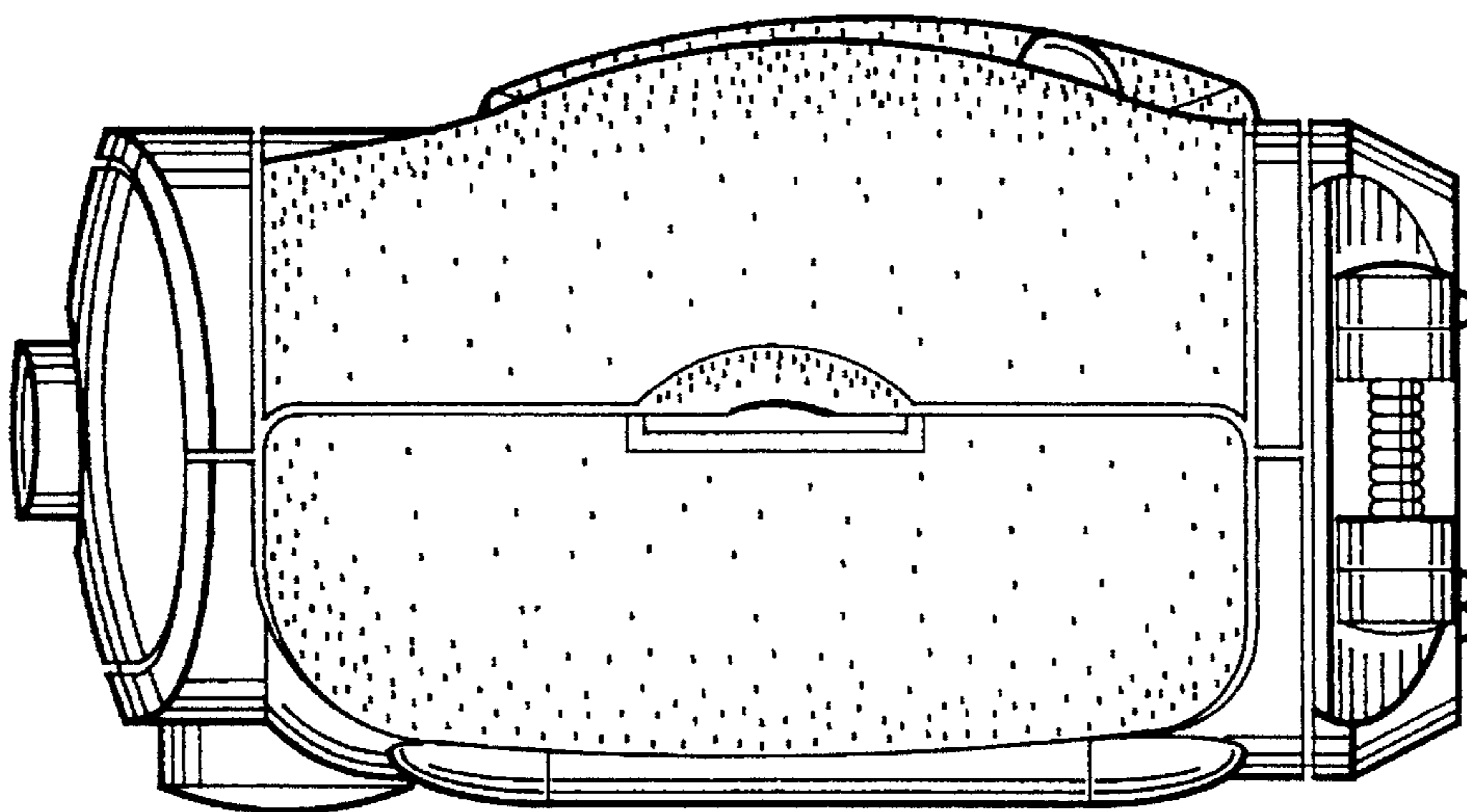


FIG. 7

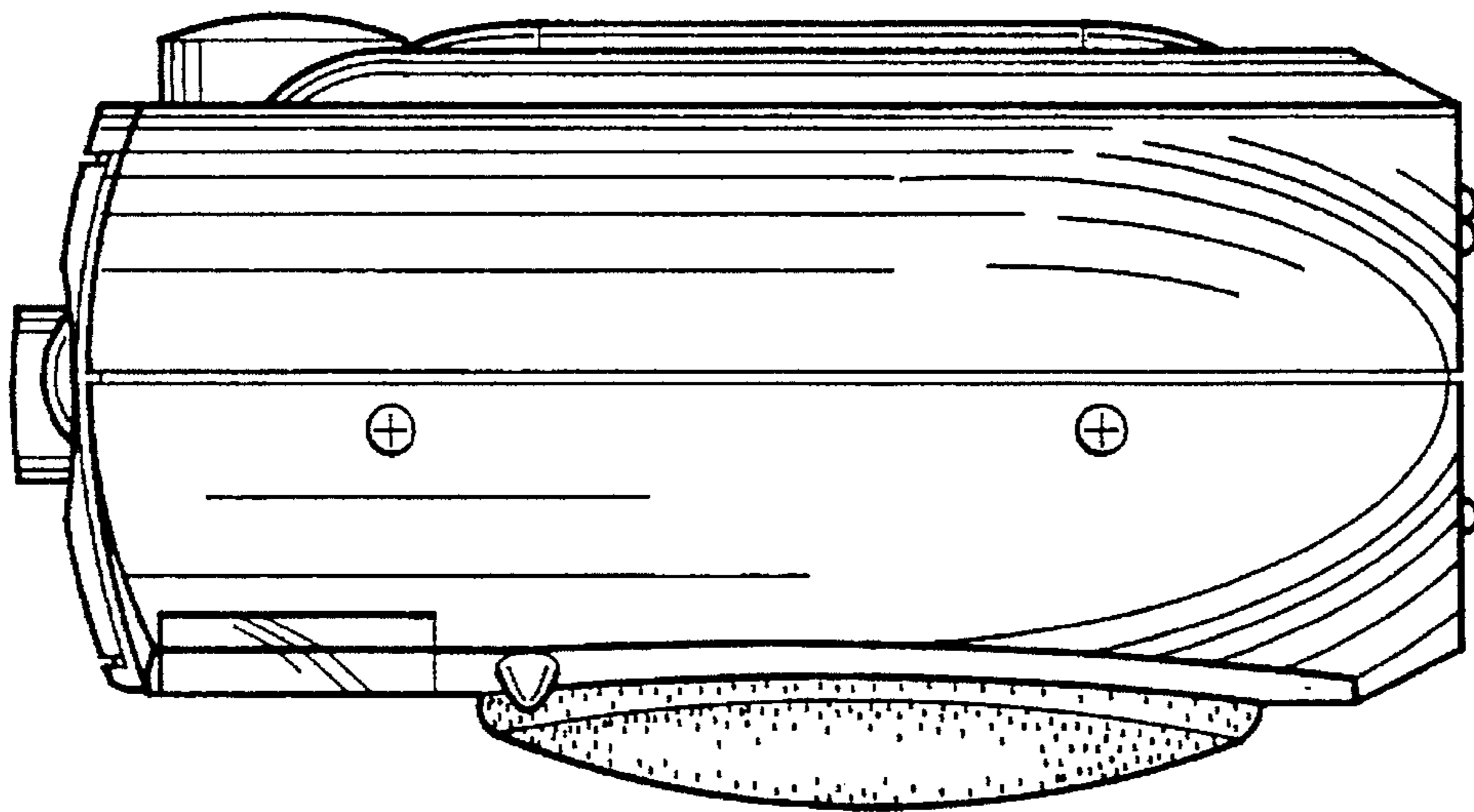


FIG. 8

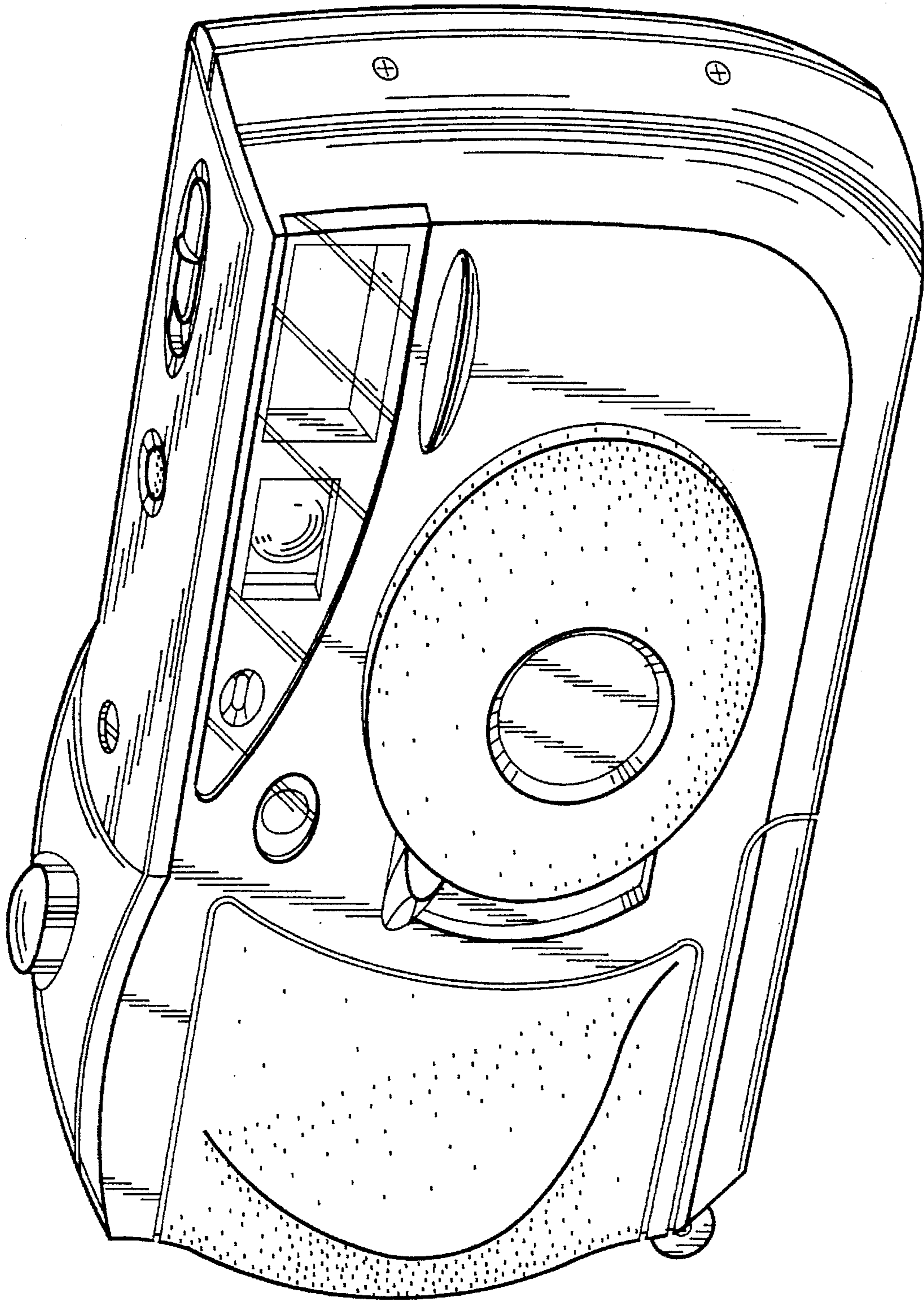


FIG. 9

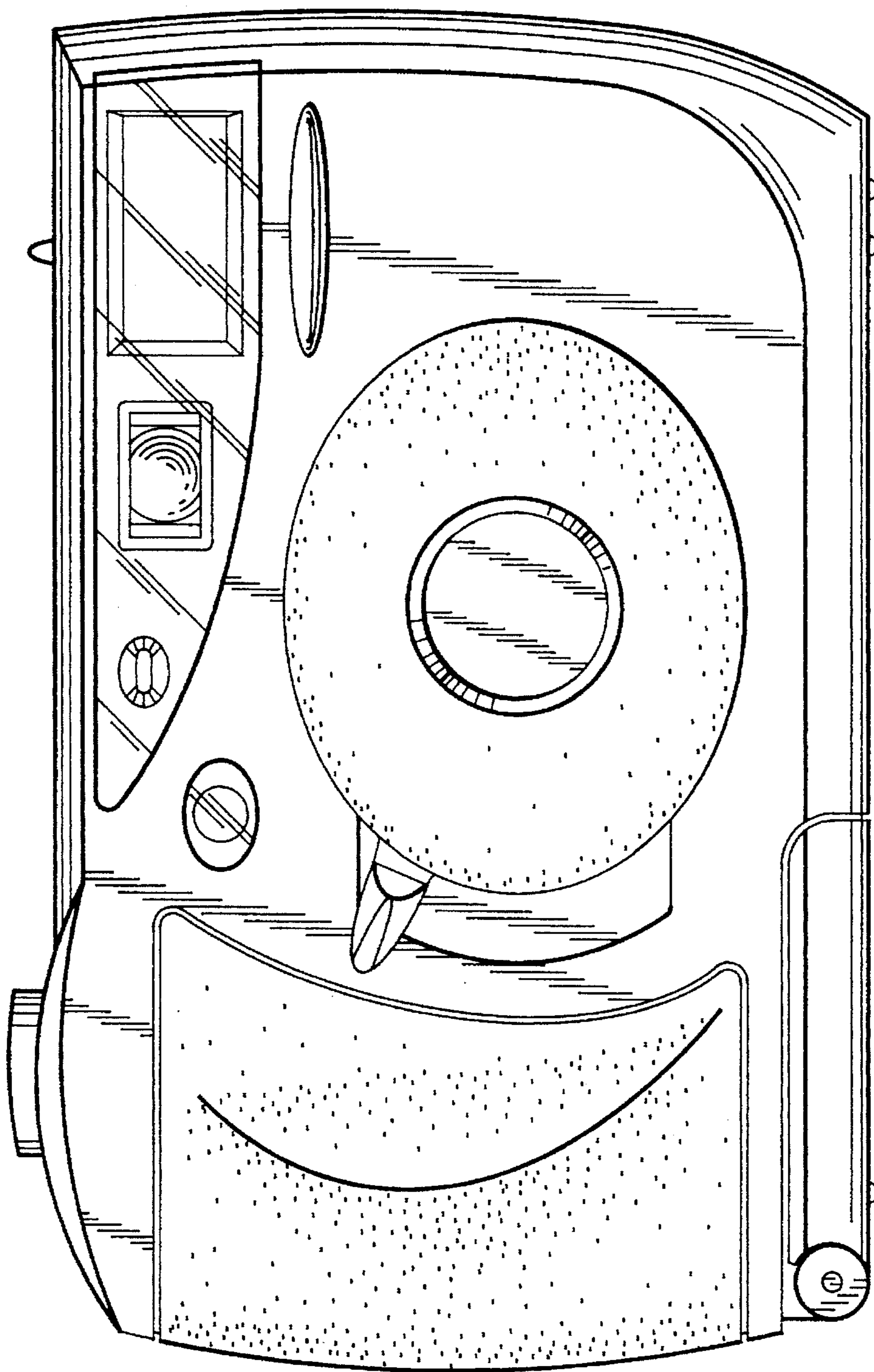


FIG. 10

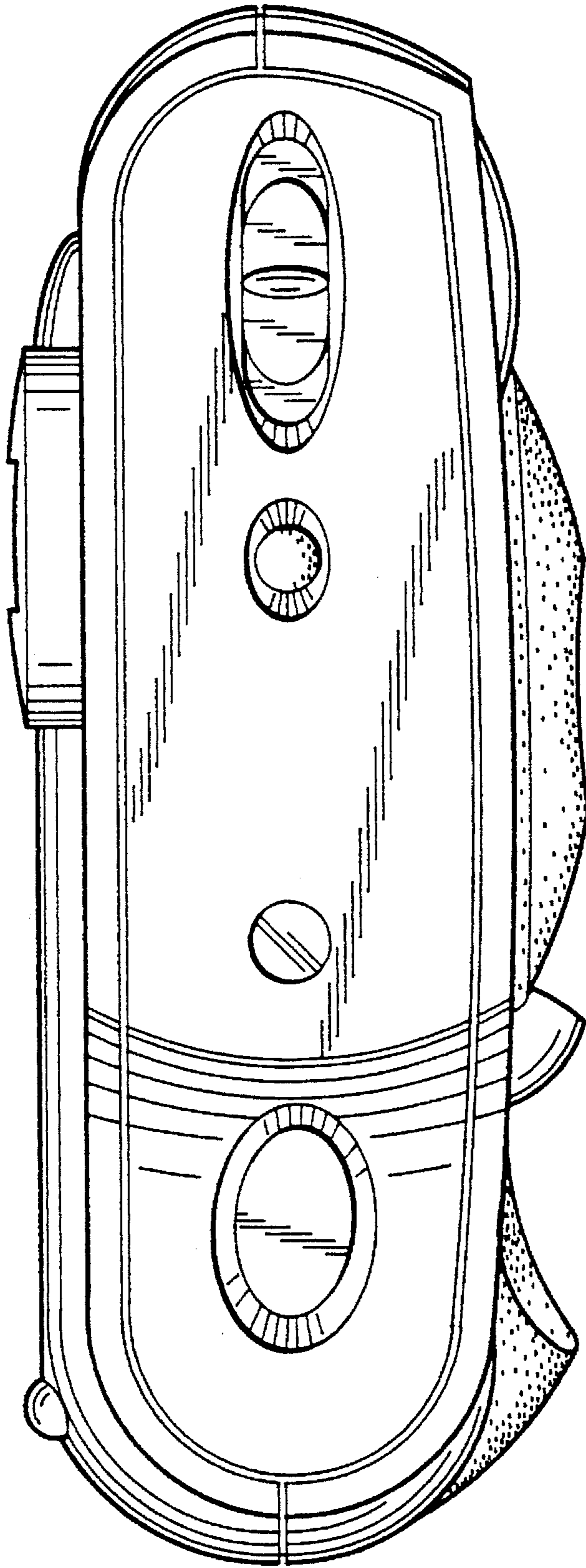


FIG. 11

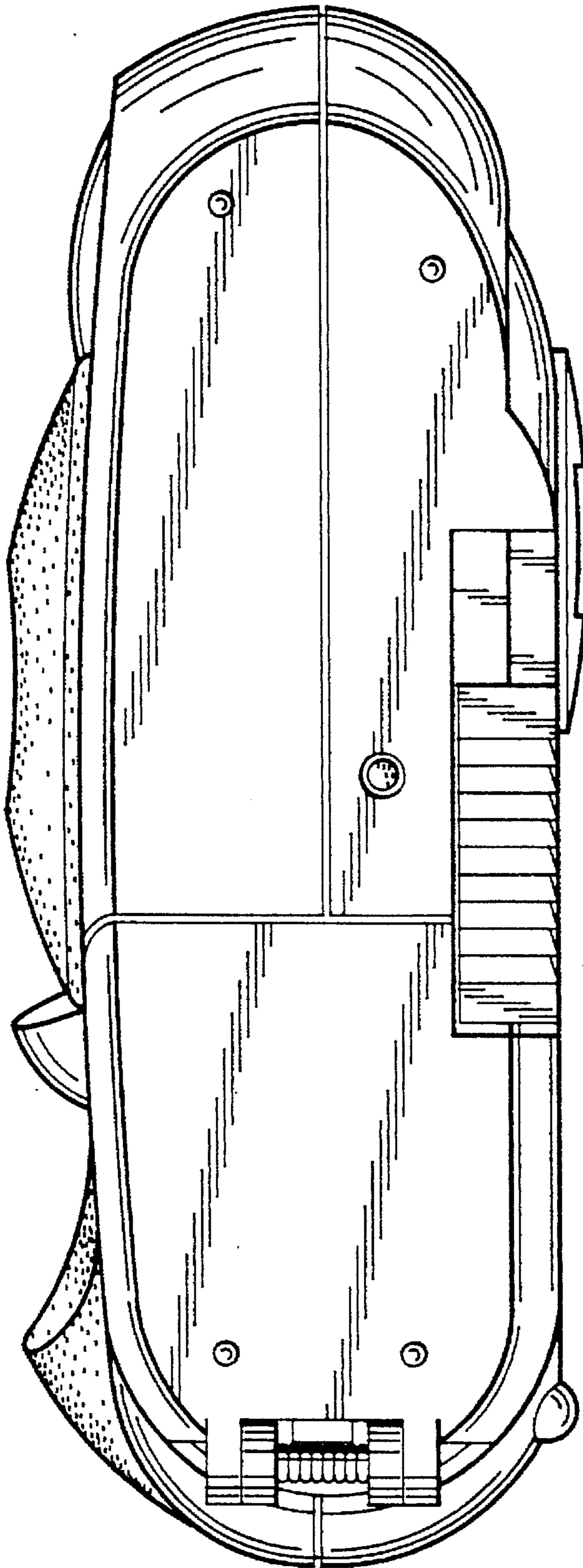


FIG. 12

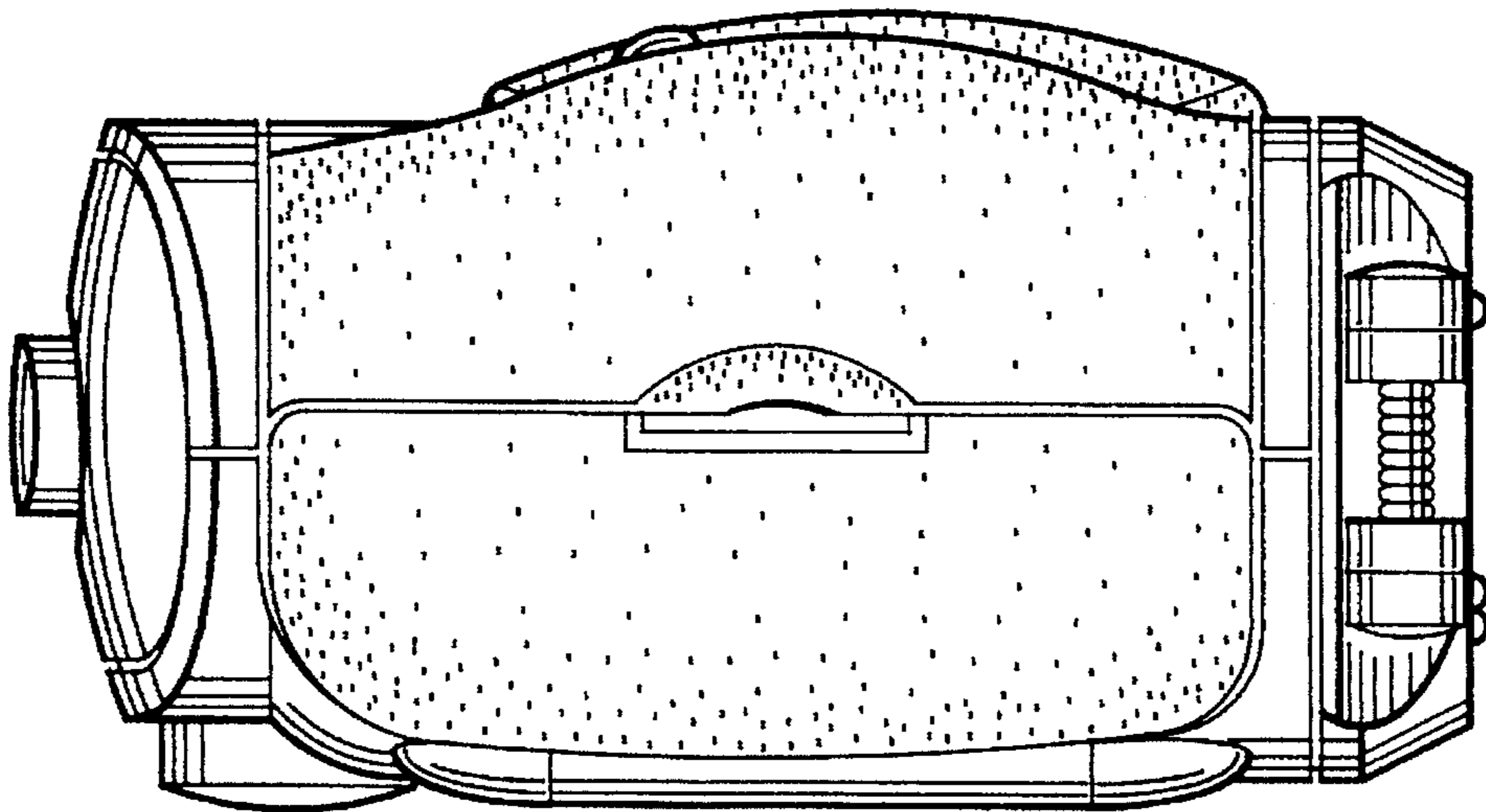


FIG. 13