



US00D375109S

United States Patent [19]
Hartman

[11] **Patent Number: Des. 375,109**

[45] **Date of Patent: **Oct. 29, 1996**

[54] **SERVO-CONTROLLED VIDEO CAMERA**

[76] Inventor: **William M. Hartman**, 76 Longwood Rd., Quincy, Mass. 02169

[**] Term: **14 Years**

[21] Appl. No.: **45,945**

[22] Filed: **Nov. 3, 1995**

[52] **U.S. Cl.** **D16/202**

[58] **Field of Search** D16/200-206,
D16/208; 348/373-376, 143; 354/81, 288;
H04N 5/225

MicroWarehouse, publication date believed to be 1995, p. 124.

Primary Examiner—Ted Shooman
Assistant Examiner—Adir Aronovich
Attorney, Agent, or Firm—Craig A. Summerfield; Brinks Hofer Gilson & Lione

[57] **CLAIM**

The ornamental design for a servo-controlled video camera, as shown and described.

DESCRIPTION

FIG. 1 is a perspective view of a servo-controlled video camera;

FIG. 2 is a front elevational view thereof;

FIG. 3 is a rear elevational view thereof;

FIG. 4 is a right side elevational view thereof, the left side elevational view is a mirror image of the right side elevational view;

FIG. 5 is a top plan view thereof; and,

FIG. 6 is a bottom plan view thereof.

[56] **References Cited**

U.S. PATENT DOCUMENTS

D. 269,513	6/1983	Nagele	D16/202
D. 310,231	8/1990	Imada et al.	D16/202
D. 312,649	12/1990	Sakuta	D16/202
D. 349,110	7/1994	Ohno	D16/202
D. 349,911	8/1994	Shimizu et al.	D16/203

OTHER PUBLICATIONS

“Design Now—Industry or Art?”, Exhibition document, 1989, Munich, Germany.
MacConnection Catalog, Jan./Feb. 1996, p. H1.

1 Claim, 1 Drawing Sheet

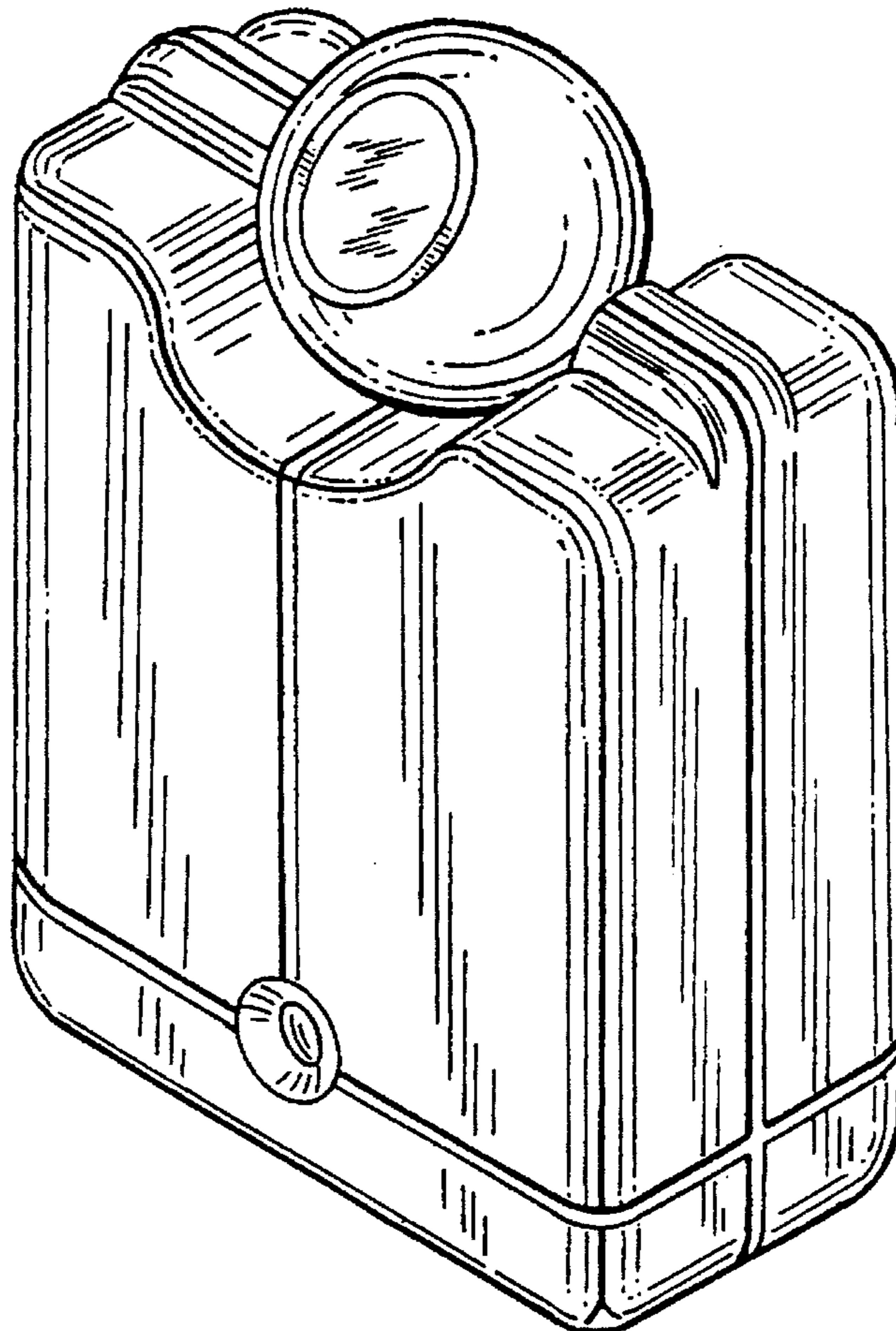


FIG.1

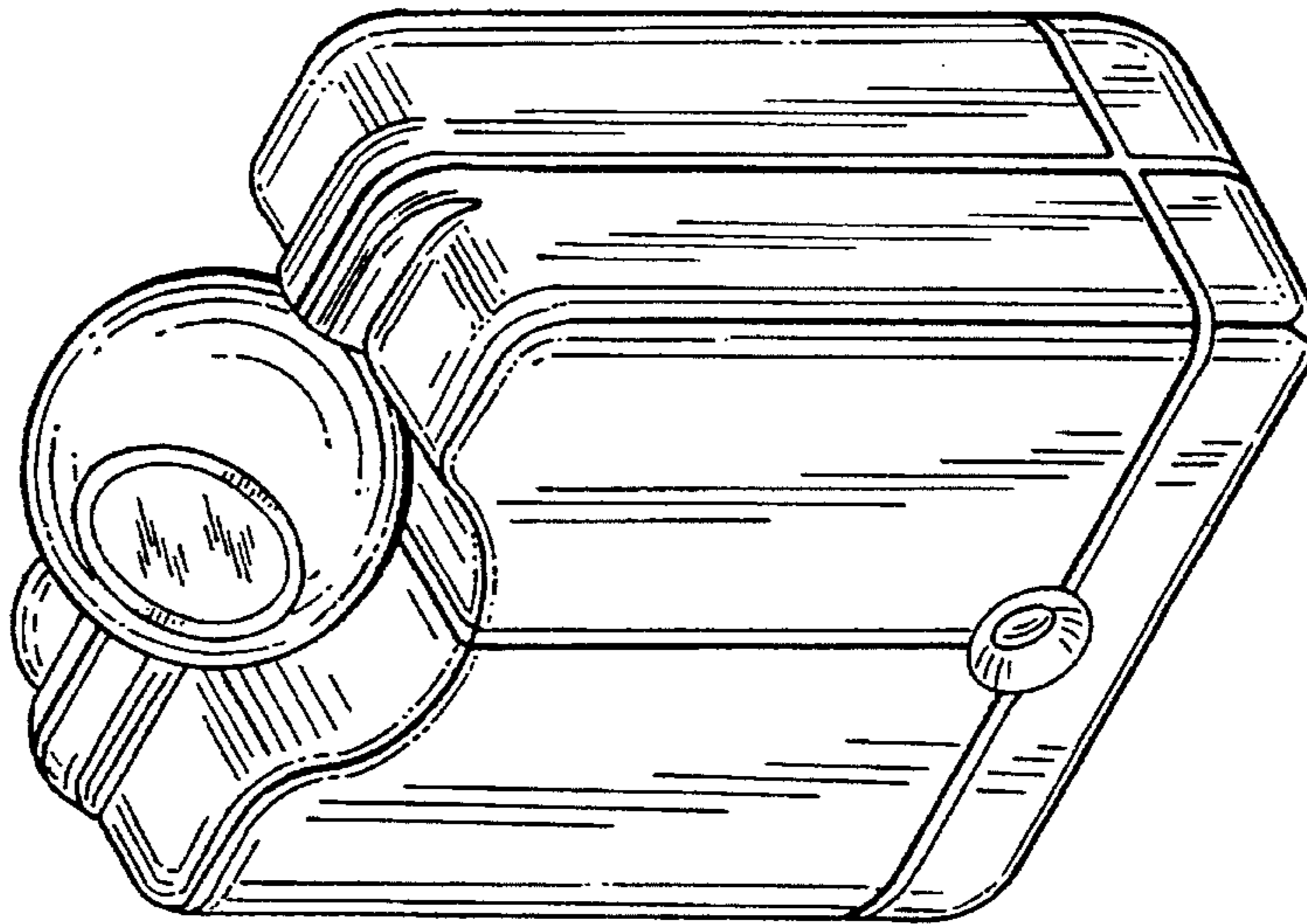


FIG.2

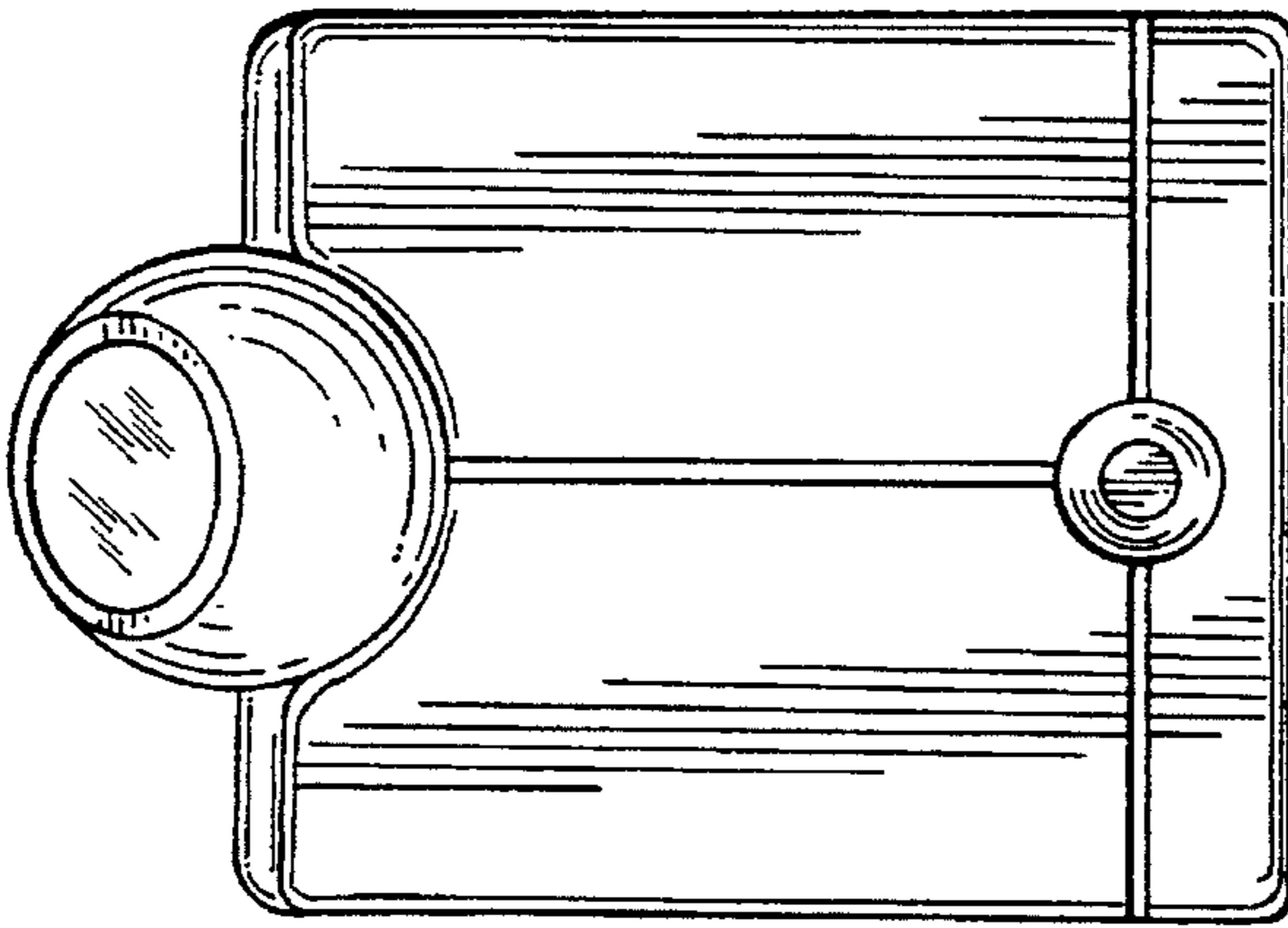


FIG.3

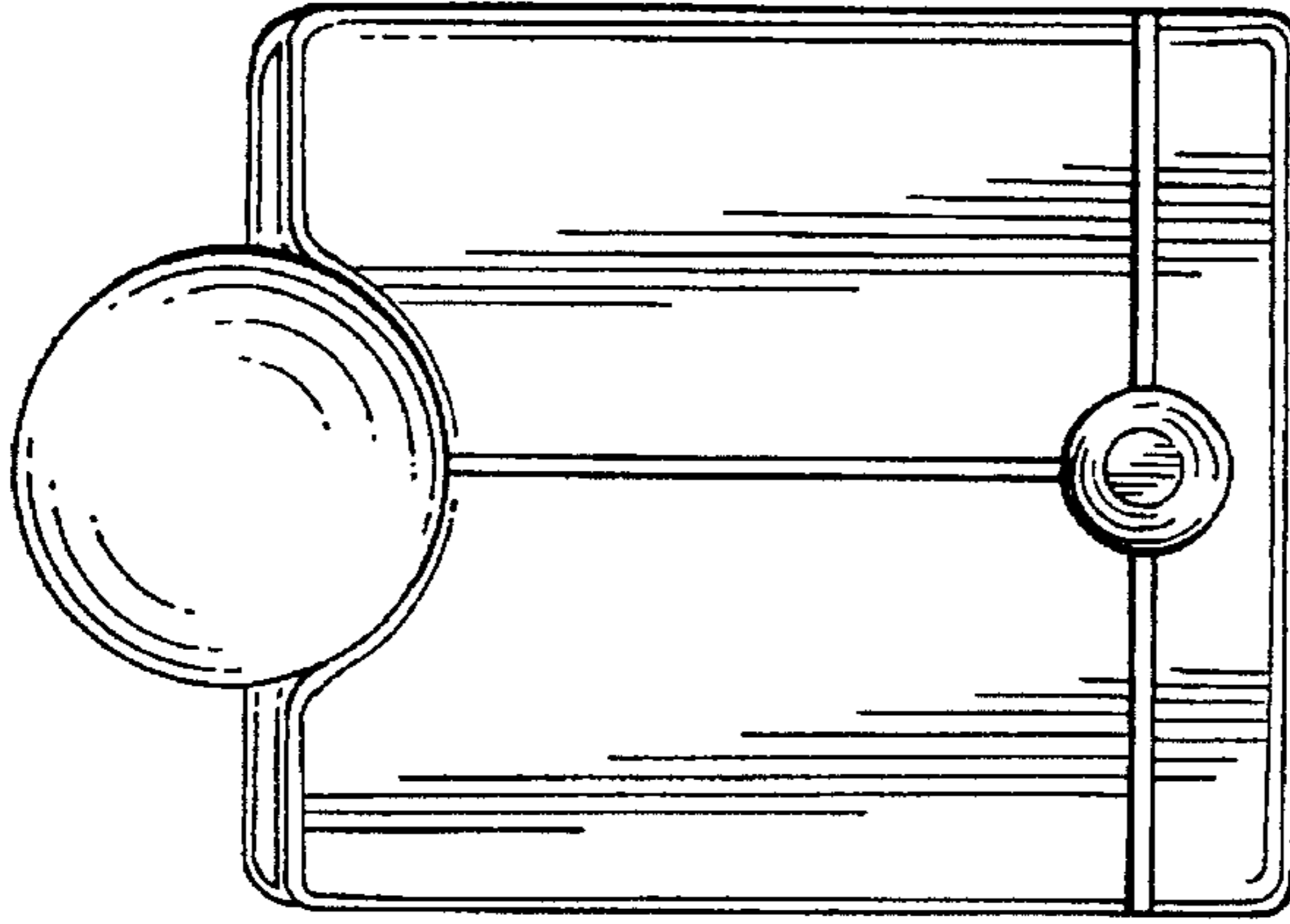


FIG.4

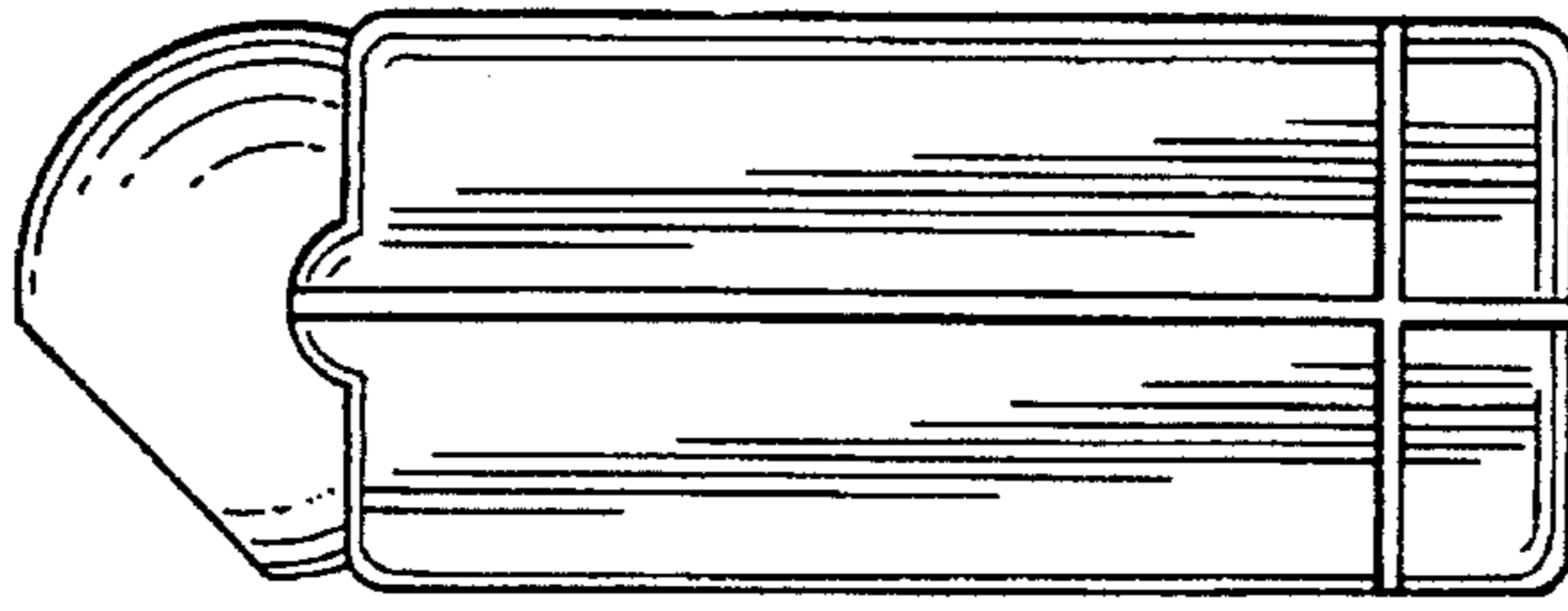


FIG.5

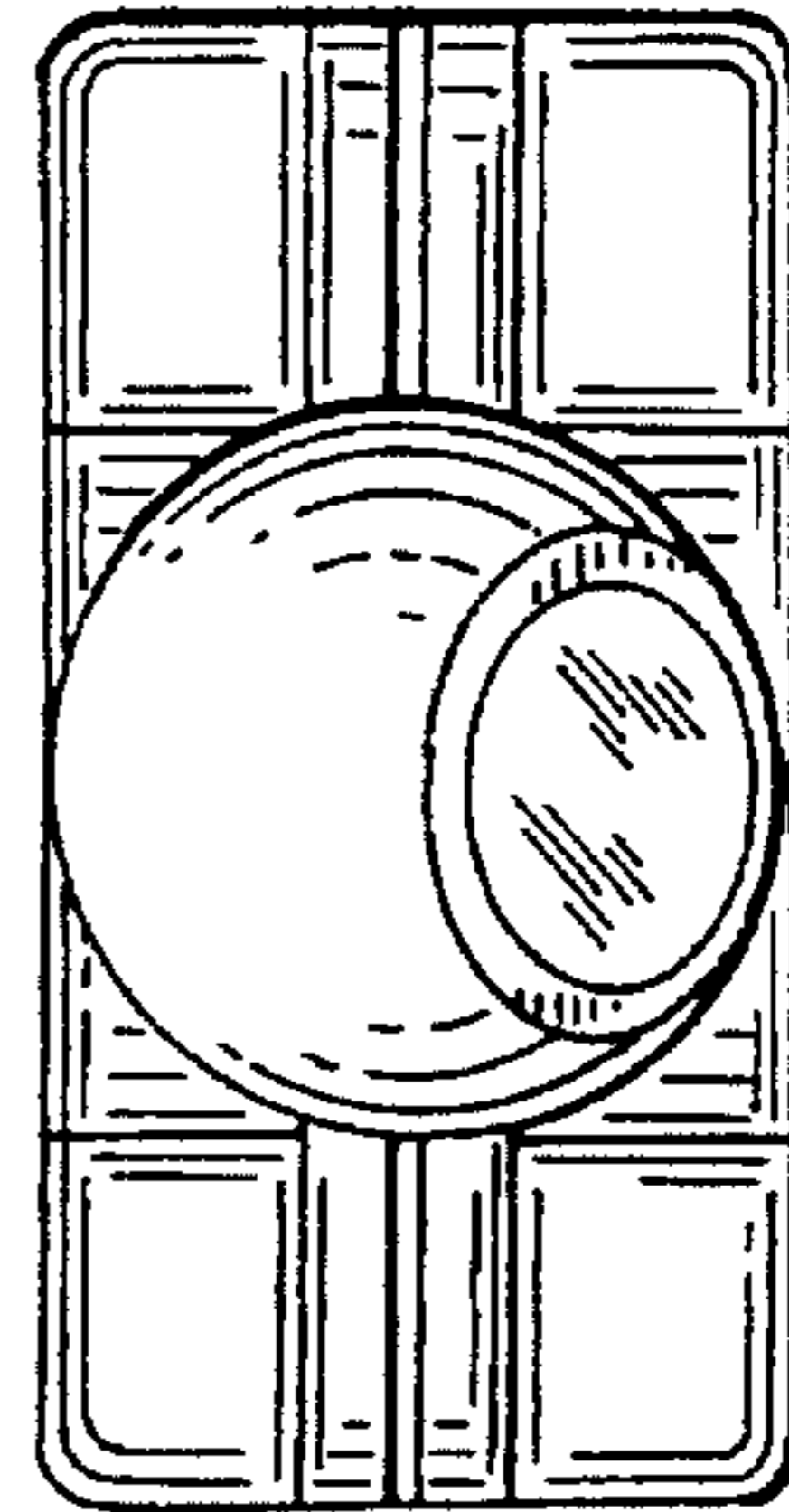


FIG.6

