



US00D375108S

# United States Patent [19]

Harata

[11] Patent Number: **Des. 375,108**

[45] Date of Patent: **\*\*Oct. 29, 1996**

[54] **COMBINED VIDEO TAPE RECORDER AND CAMERA**

[75] Inventor: **Tomohiro Harata**, Tokyo, Japan

[73] Assignee: **Sony Corporation**, Tokyo, Japan

[\*\*] Term: **14 Years**

[21] Appl. No.: **37,157**

[22] Filed: **Apr. 5, 1995**

### Related U.S. Application Data

[63] Continuation-in-part of Ser. No. 34,708, Feb. 10, 1995, abandoned.

[52] U.S. Cl. .... **D16/202**

[58] Field of Search ..... D16/200-208; 348/373-376; 354/82, 288; 358/906; H04N 2/225

### [56] References Cited

#### U.S. PATENT DOCUMENTS

D. 342,960	1/1994	Kurata	.....	D16/202
D. 346,614	5/1994	Sumita	.....	D16/202
D. 355,664	2/1995	Kataoka	.....	D16/202
D. 356,589	3/1995	Sumita	.....	D16/202

D. 362,452	9/1995	Matsumura	.....	D16/202
5,121,147	6/1992	Wada et al.	.....	354/81

### OTHER PUBLICATIONS

CAMCORDER, Dec. 1993 p. 30 (Sony's CCD-TR31).

*Primary Examiner*—Ted Shooman

*Assistant Examiner*—Adir Aronovich

*Attorney, Agent, or Firm*—Foley & Lardner

### [57] CLAIM

The ornamental design for a combined video tape recorder and camera, as shown and described.

### DESCRIPTION

FIG. 1 is a perspective view of a combined video tape recorder and camera showing my new design; FIG. 2 is a left side elevational view thereof; FIG. 3 is a top plan view thereof; FIG. 4 is a front elevational view thereof; FIG. 5 is a bottom plan view thereof; FIG. 6 is a right side elevational view thereof; FIG. 7 is a rear elevational view thereof; and, FIG. 8 is a perspective view thereof, the cover being in an open position.

**1 Claim, 3 Drawing Sheets**

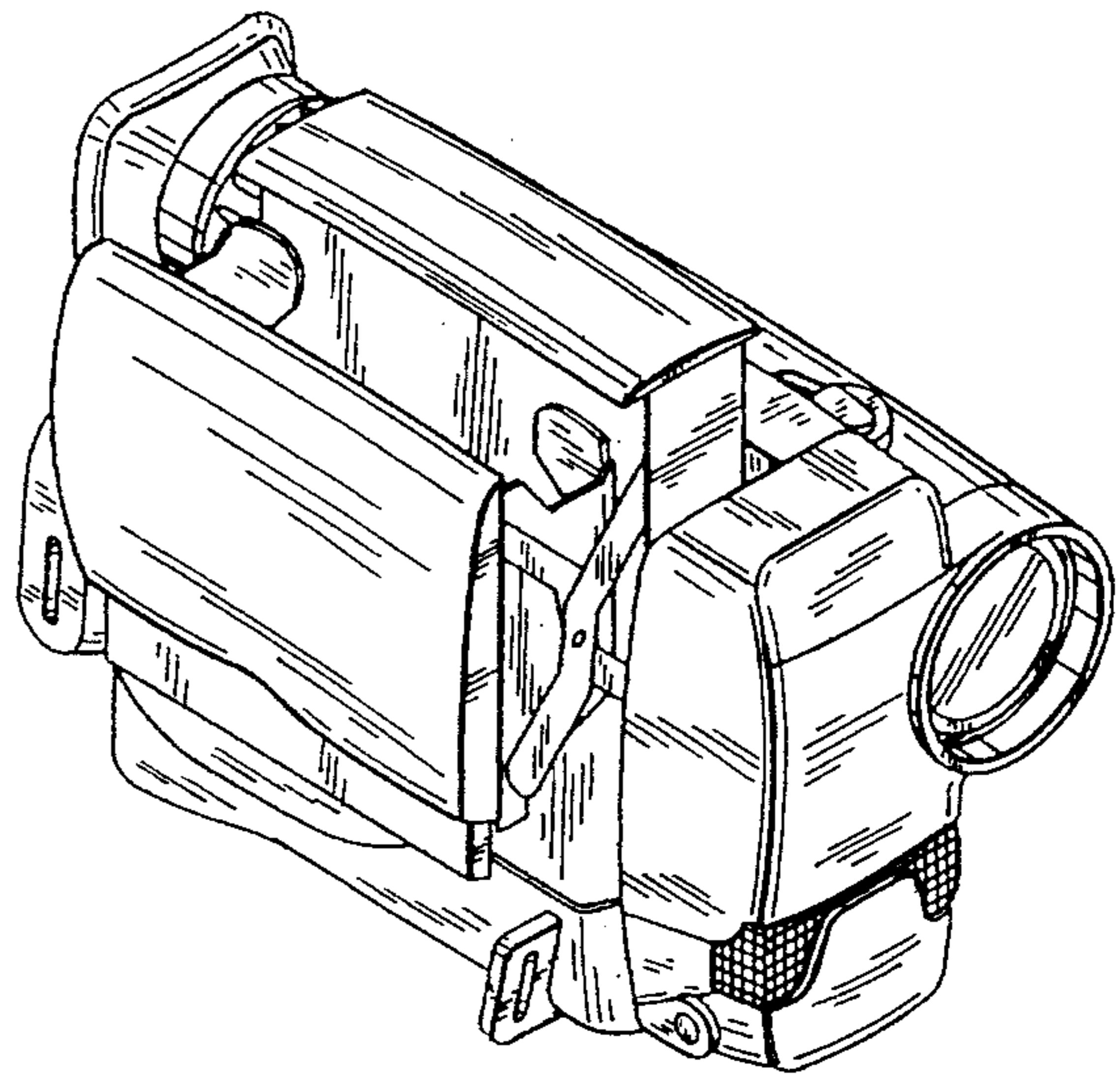
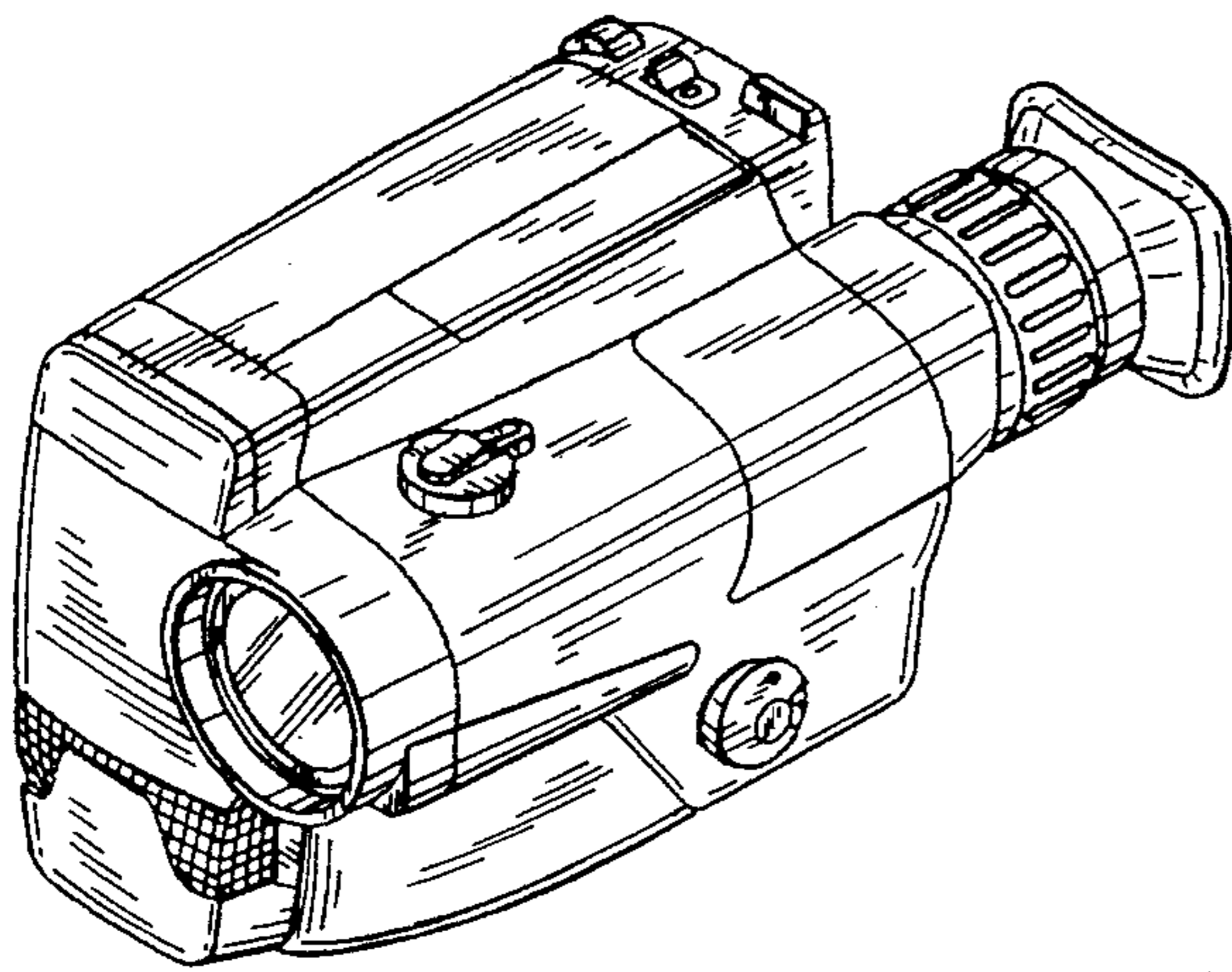


FIG. 1

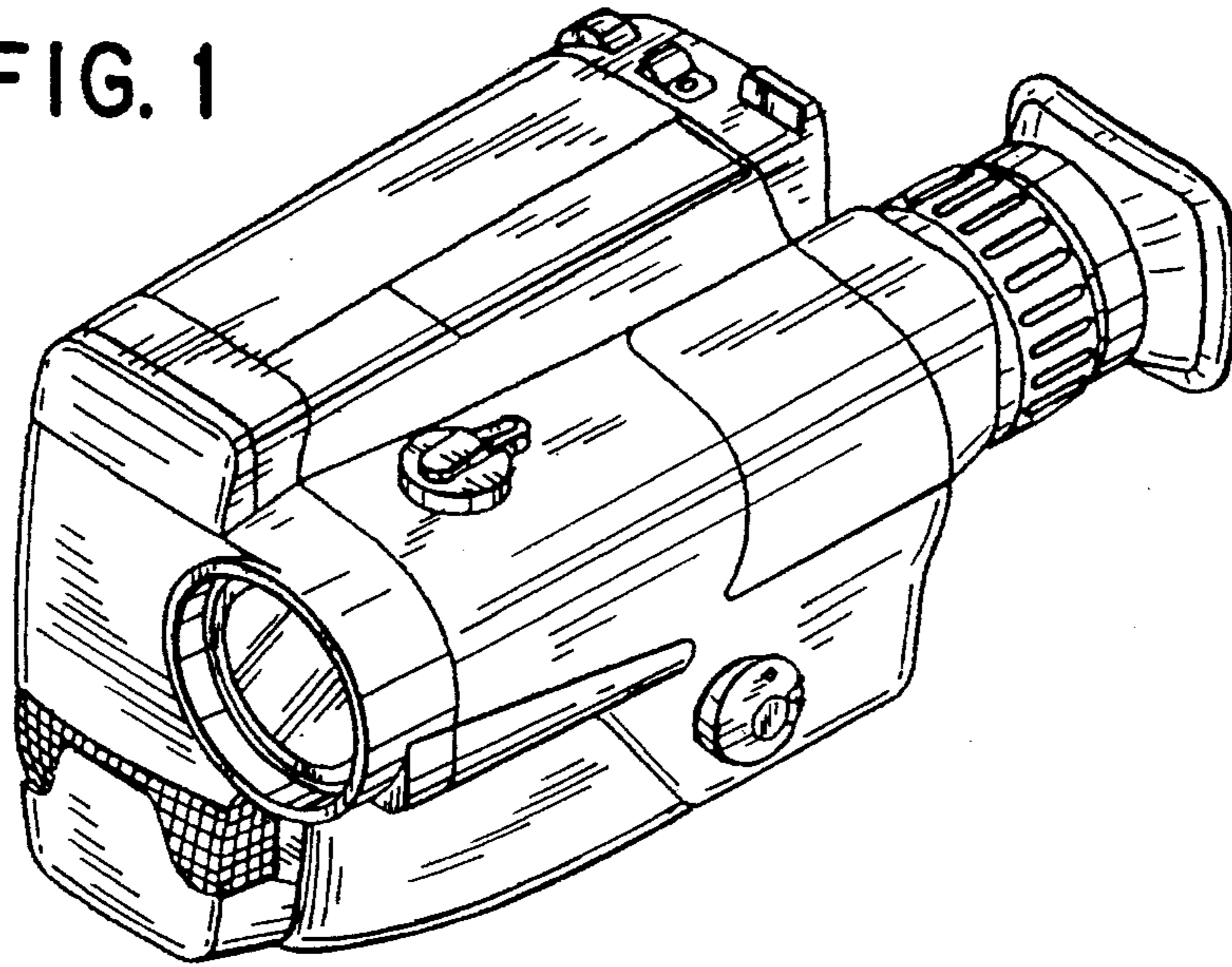


FIG. 2

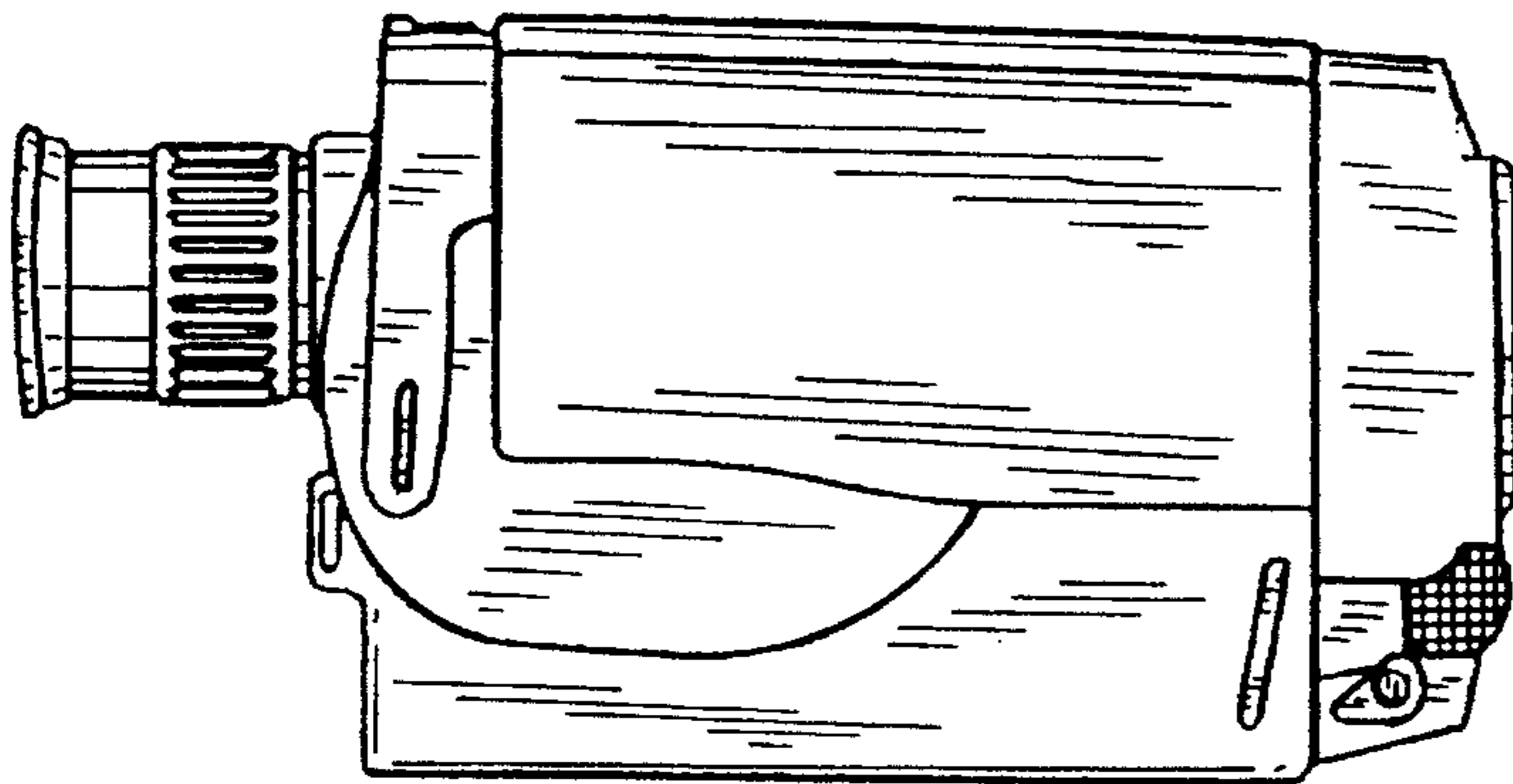


FIG. 3

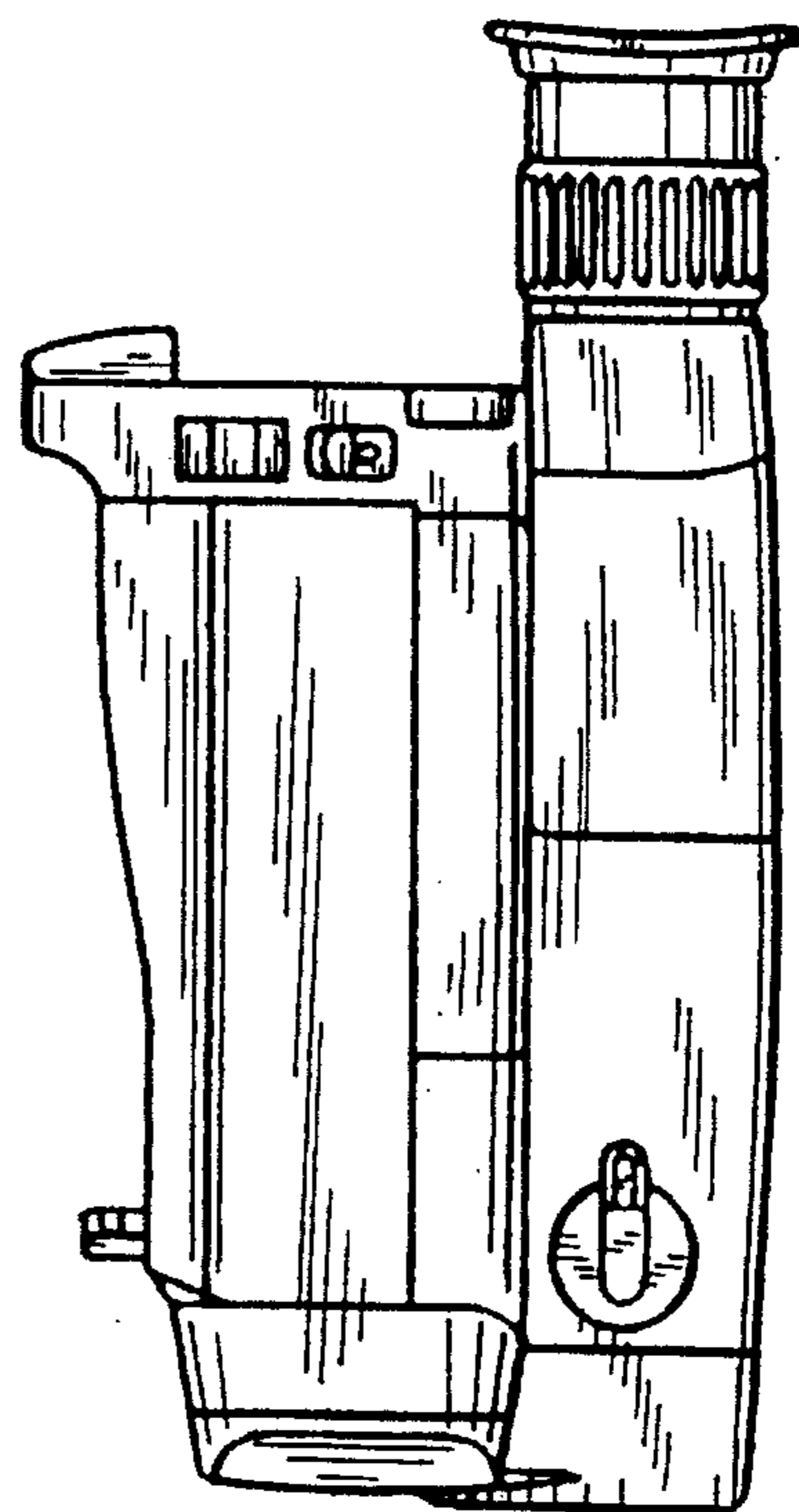


FIG. 4

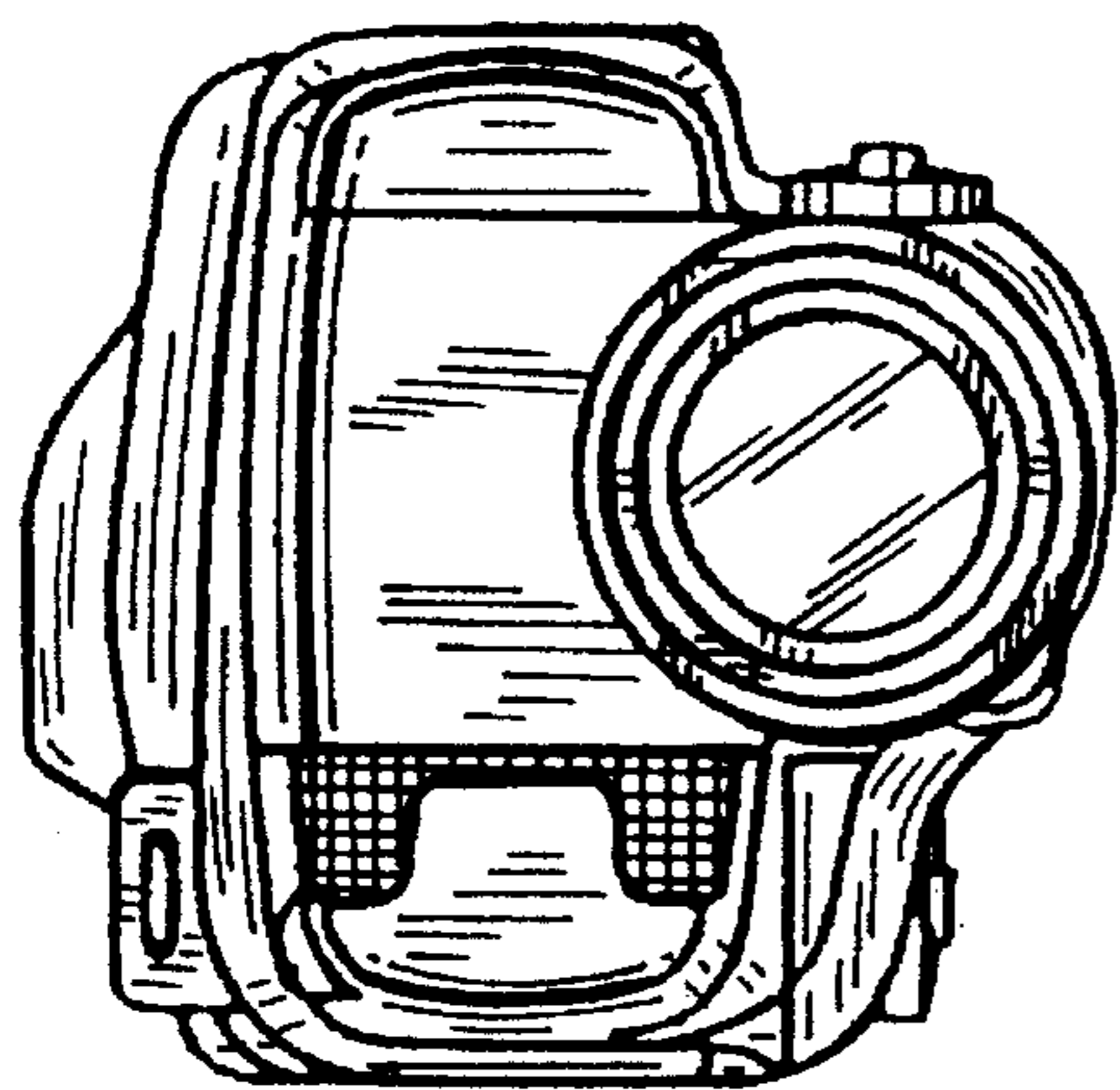


FIG. 5

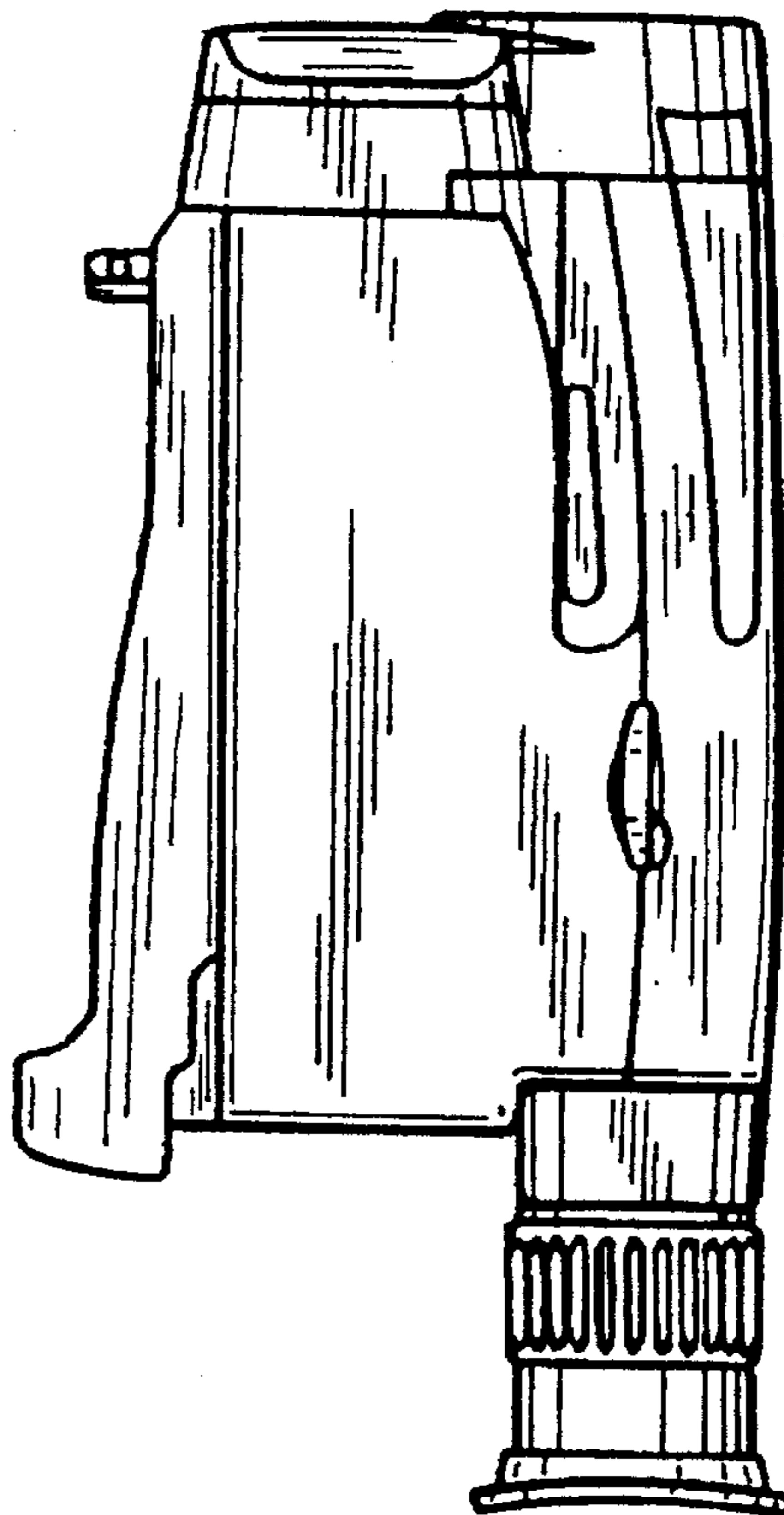


FIG. 6

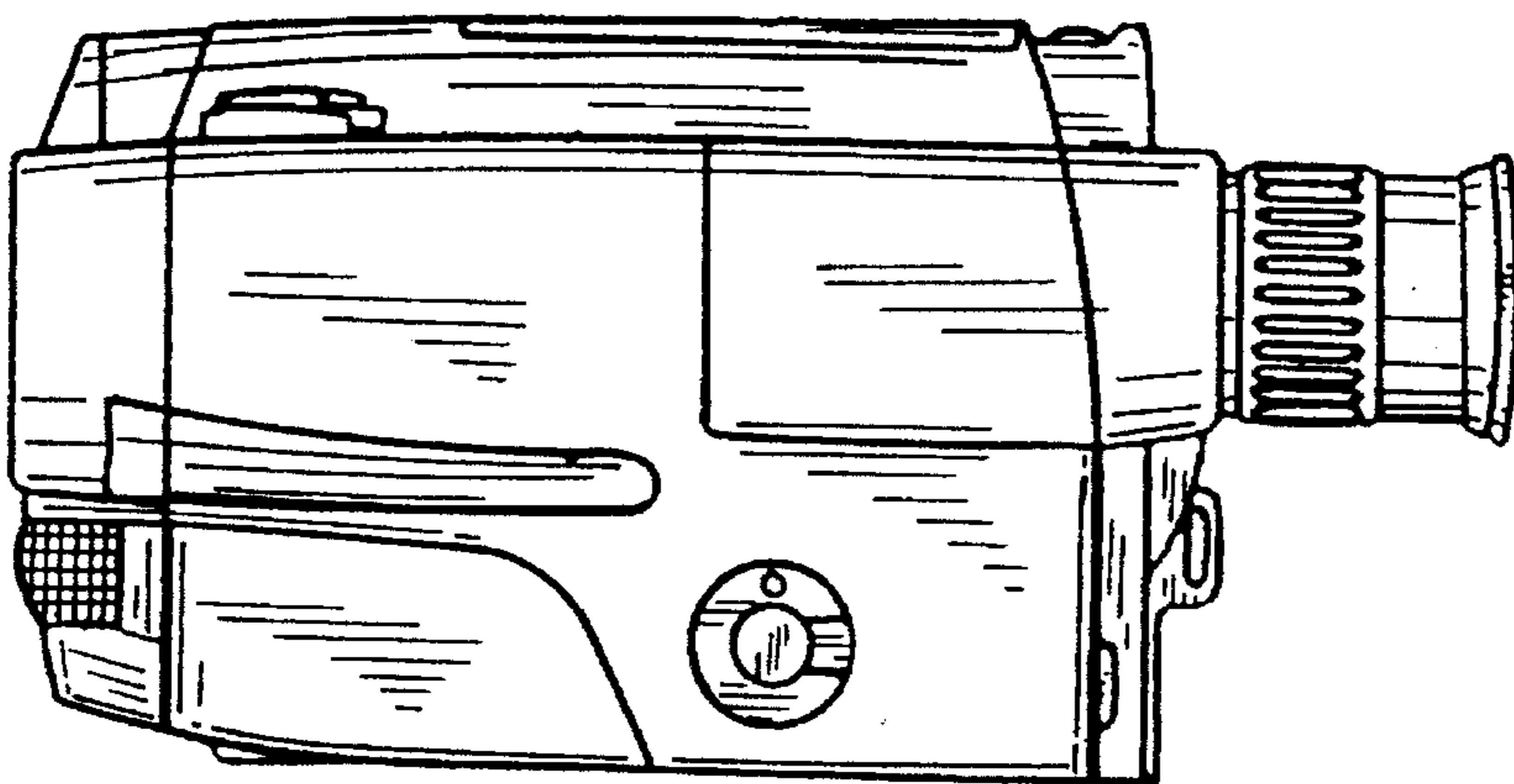


FIG. 7

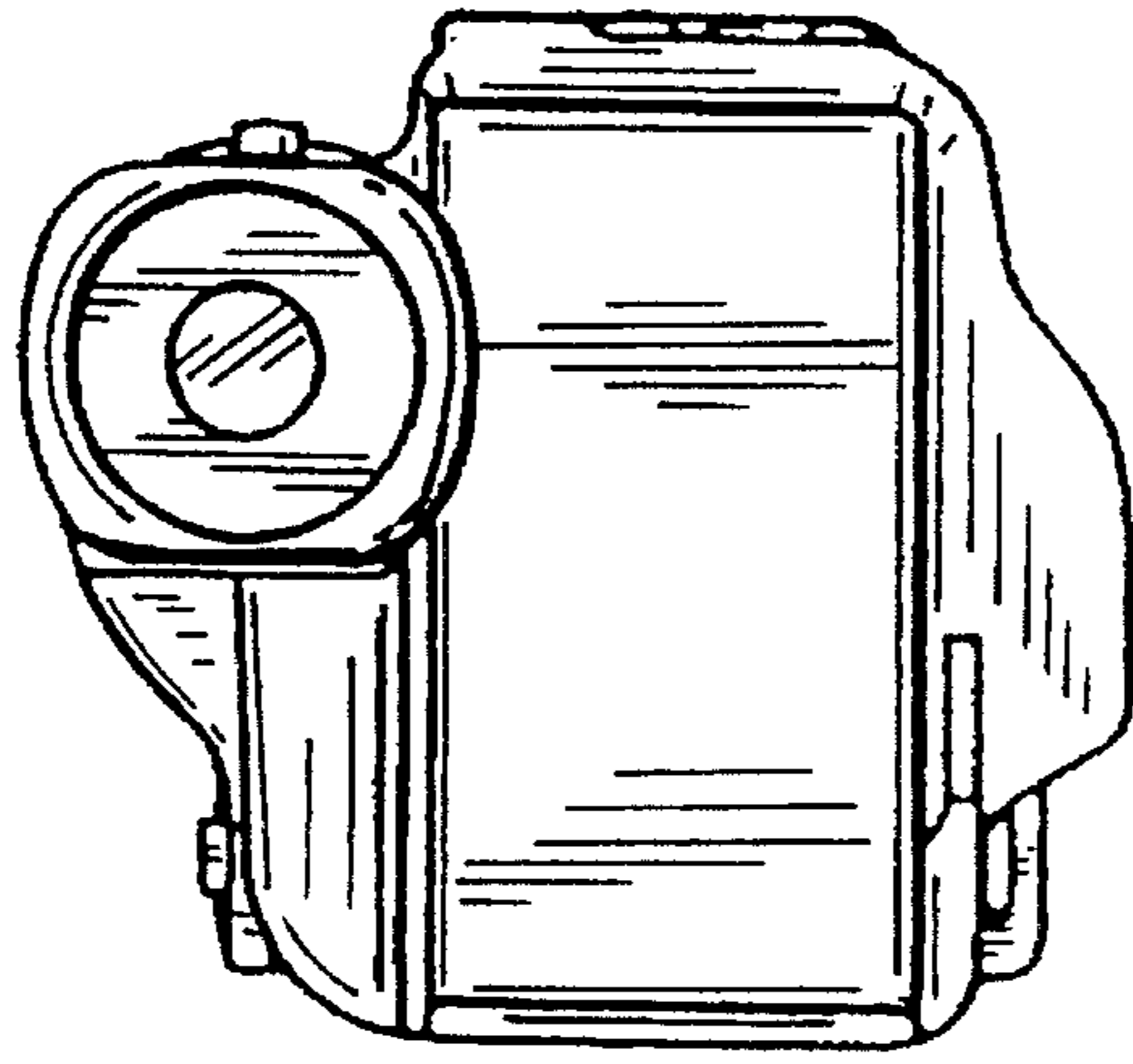


FIG. 8

