



US00D375107S

United States Patent [19]

Ishii

[11] Patent Number: **Des. 375,107**

[45] Date of Patent: ****Oct. 29, 1996**

[54] **COMBINED VIDEO TAPE RECORDER AND CAMERA**

[75] Inventor: **Daisuke Ishii**, Tokyo, Japan

[73] Assignee: **Sony Corporation**, Tokyo, Japan

[**] Term: **14 Years**

[21] Appl. No.: **36,345**

[22] Filed: **Mar. 16, 1995**

[52] U.S. Cl. **D16/202**

[58] Field of Search D16/200-208;
348/373-376; 354/82, 288; 358/906; H04N 5/225

[56] **References Cited**

U.S. PATENT DOCUMENTS

D. 335,500	5/1993	Mori et al.	D16/202
D. 355,664	2/1995	Kataoka	D16/202
D. 360,425	7/1995	Sato et al.	D16/202
5,305,030	4/1994	Yokoyama et al.	354/64

FOREIGN PATENT DOCUMENTS

4-84571	3/1992	Japan	H04N 5/225
---------	--------	-------------	------------

OTHER PUBLICATIONS

VIDEO MAGAZINE Jan. 1993 p. 2 (Canon's UCS-3).

Primary Examiner—Ted Shooman
Assistant Examiner—Adir Aronovich
Attorney, Agent, or Firm—Foley & Lardner

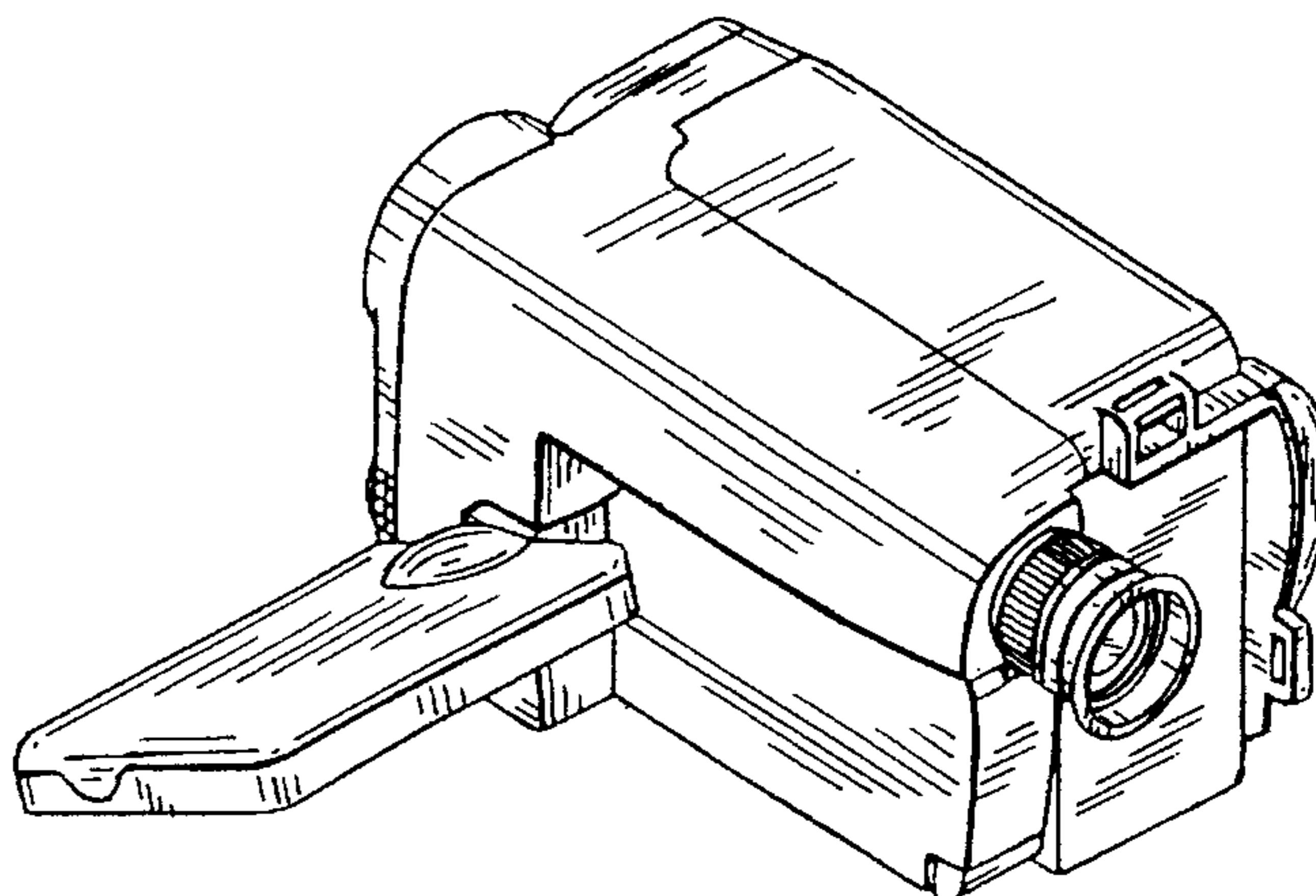
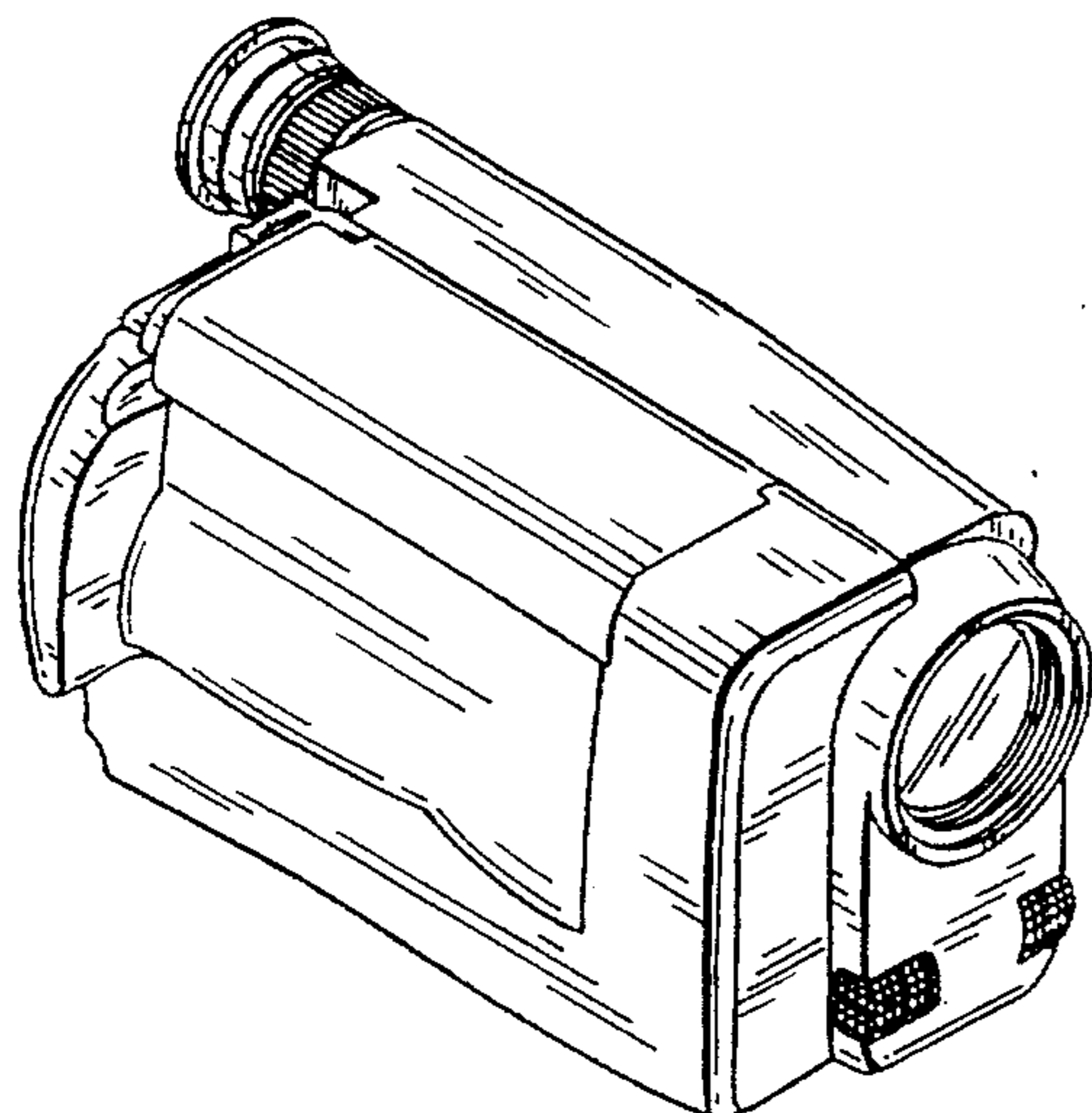
[57] **CLAIM**

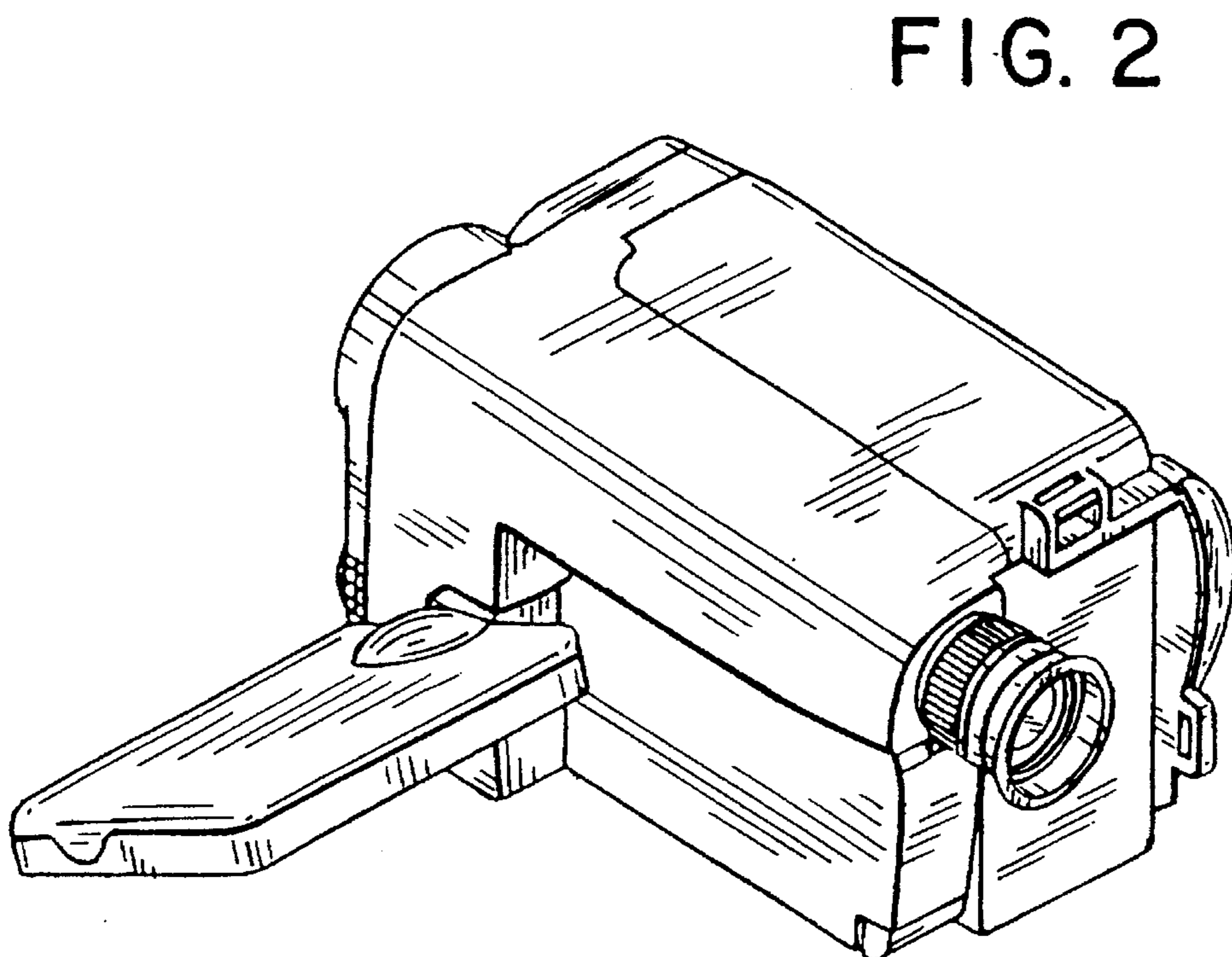
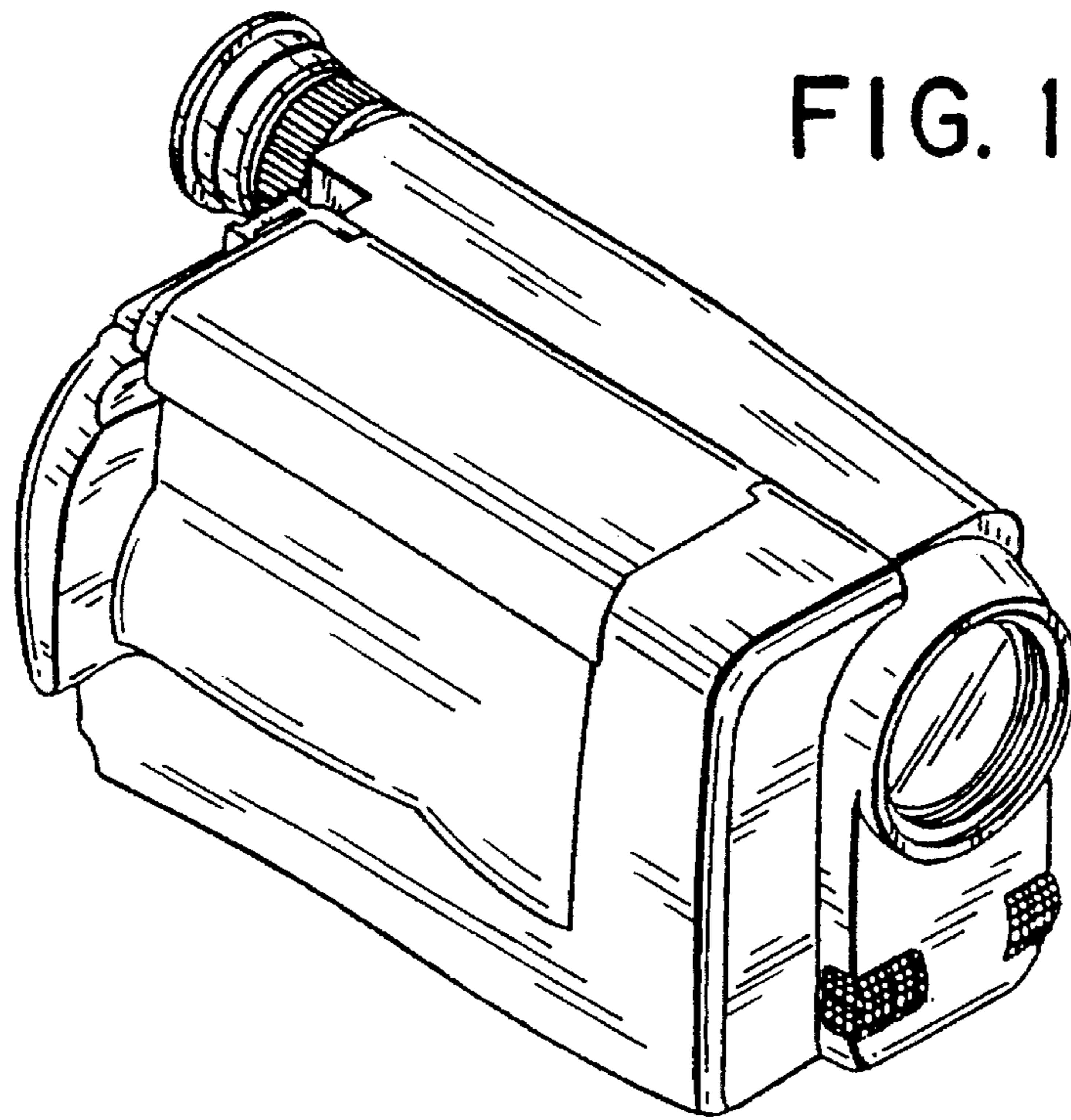
The ornamental design for a combined video tape recorder and camera, as shown and described.

DESCRIPTION

FIG. 1 is a top, front perspective view of a combined video tape recorder and camera showing my new design; FIG. 2 is a top, rear perspective view thereof, the viewing screen shown in an extending away position; FIG. 3 is a top plan view thereof; FIG. 4 is a left side elevational view thereof; FIG. 5 is a front elevational view thereof; FIG. 6 is a bottom plan view thereof; FIG. 7 is a right side elevational view thereof; and, FIG. 8 is a rear elevational view thereof.

1 Claim, 3 Drawing Sheets





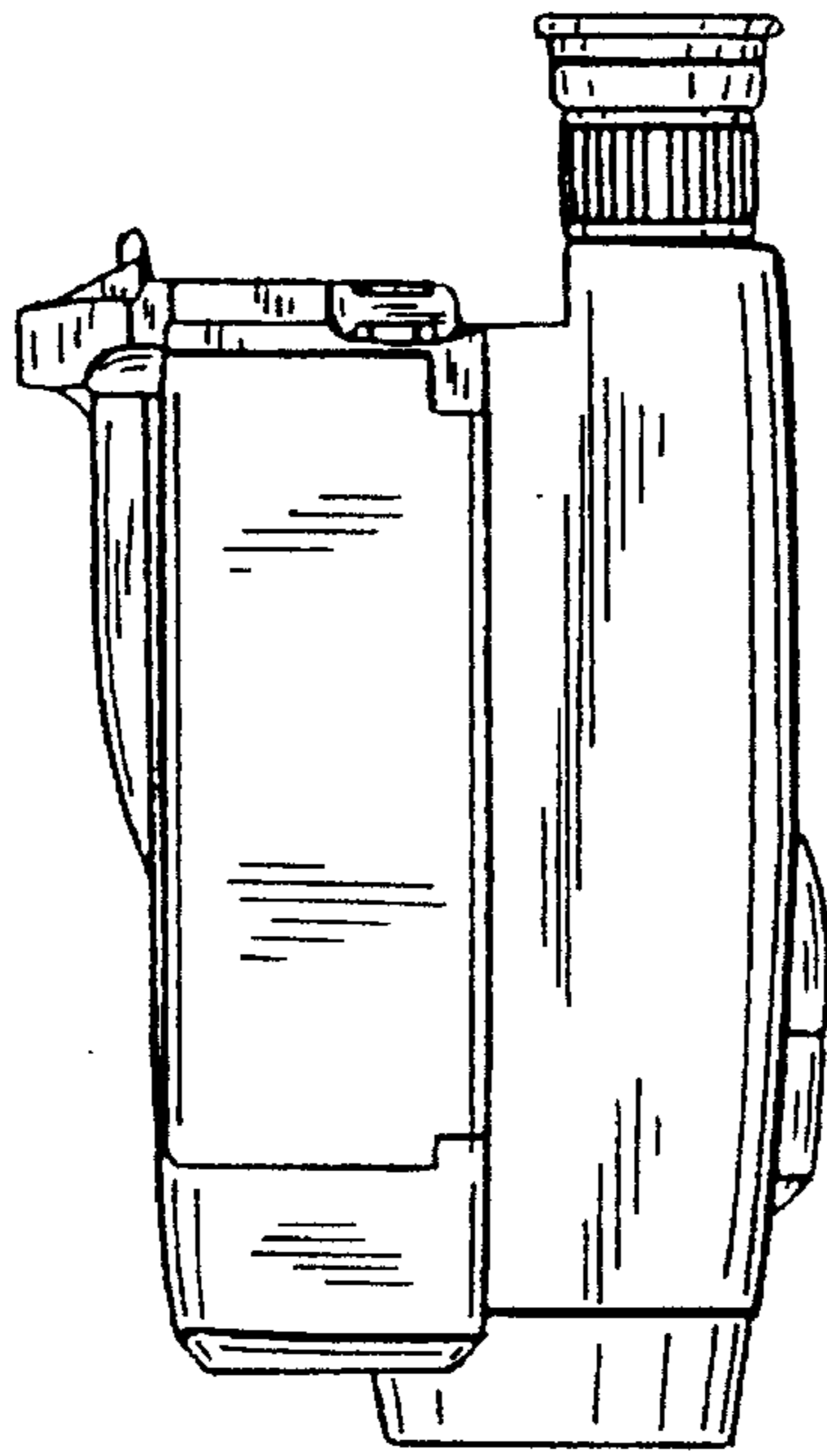


FIG. 3

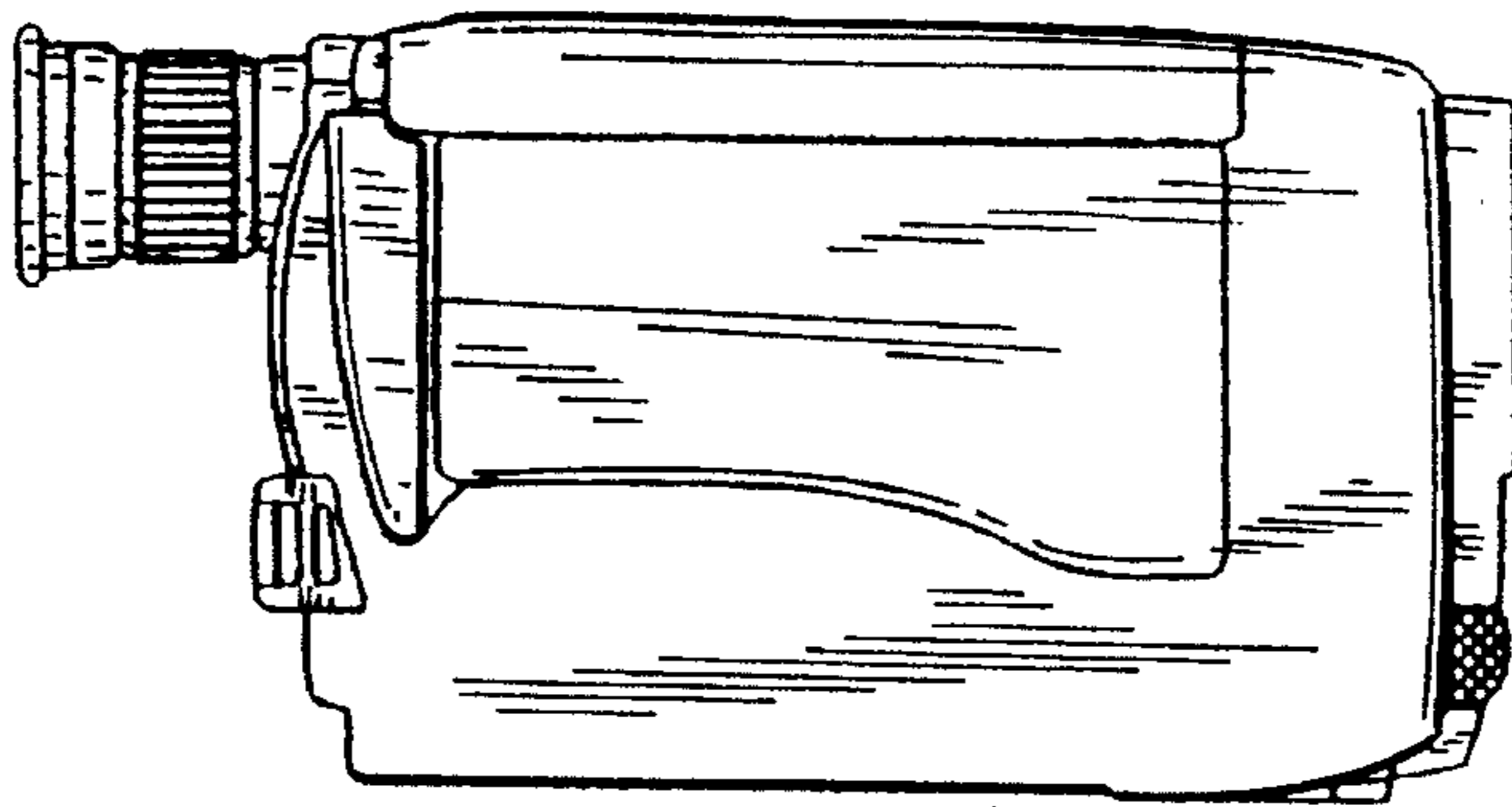


FIG. 4

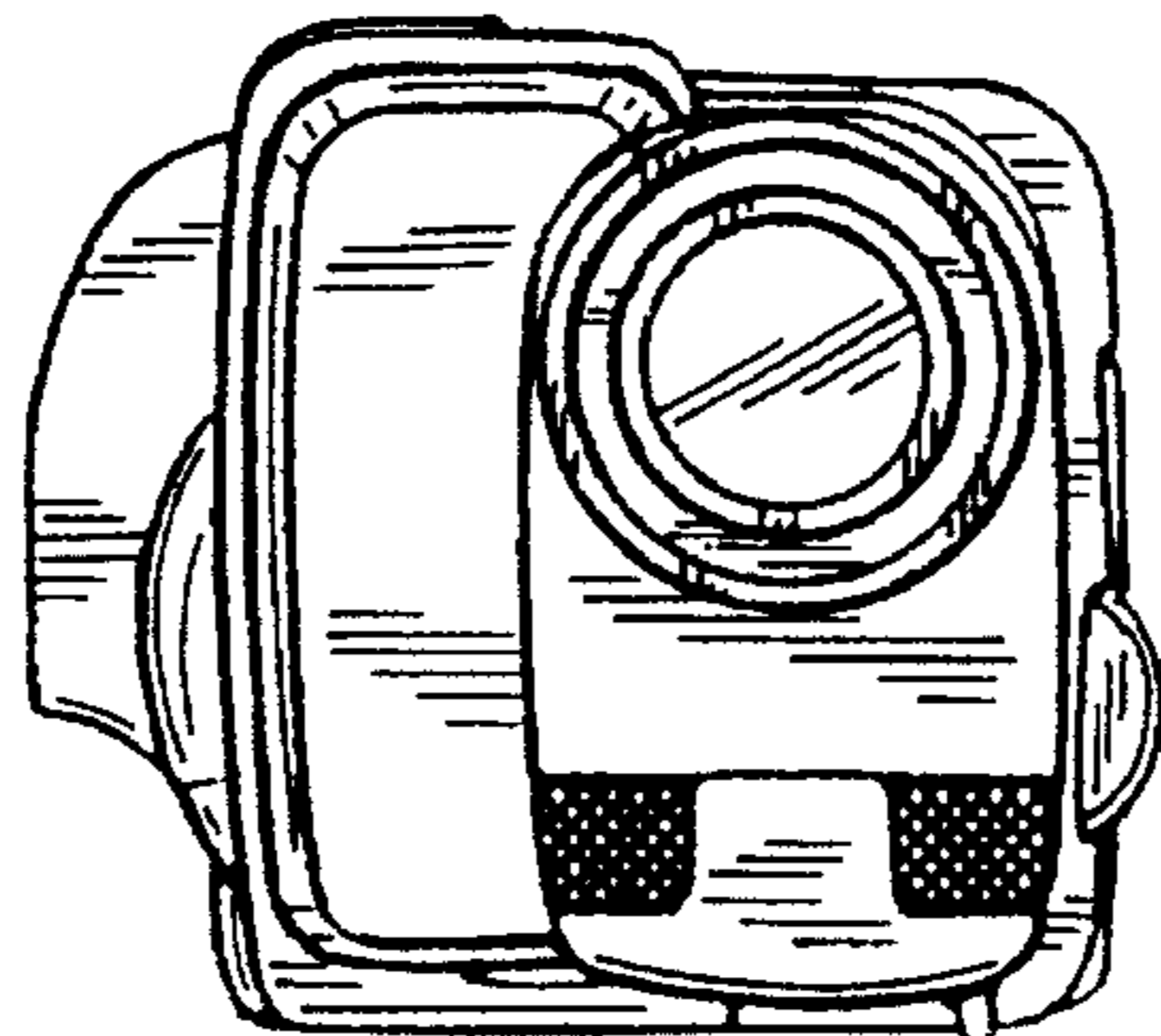


FIG. 5

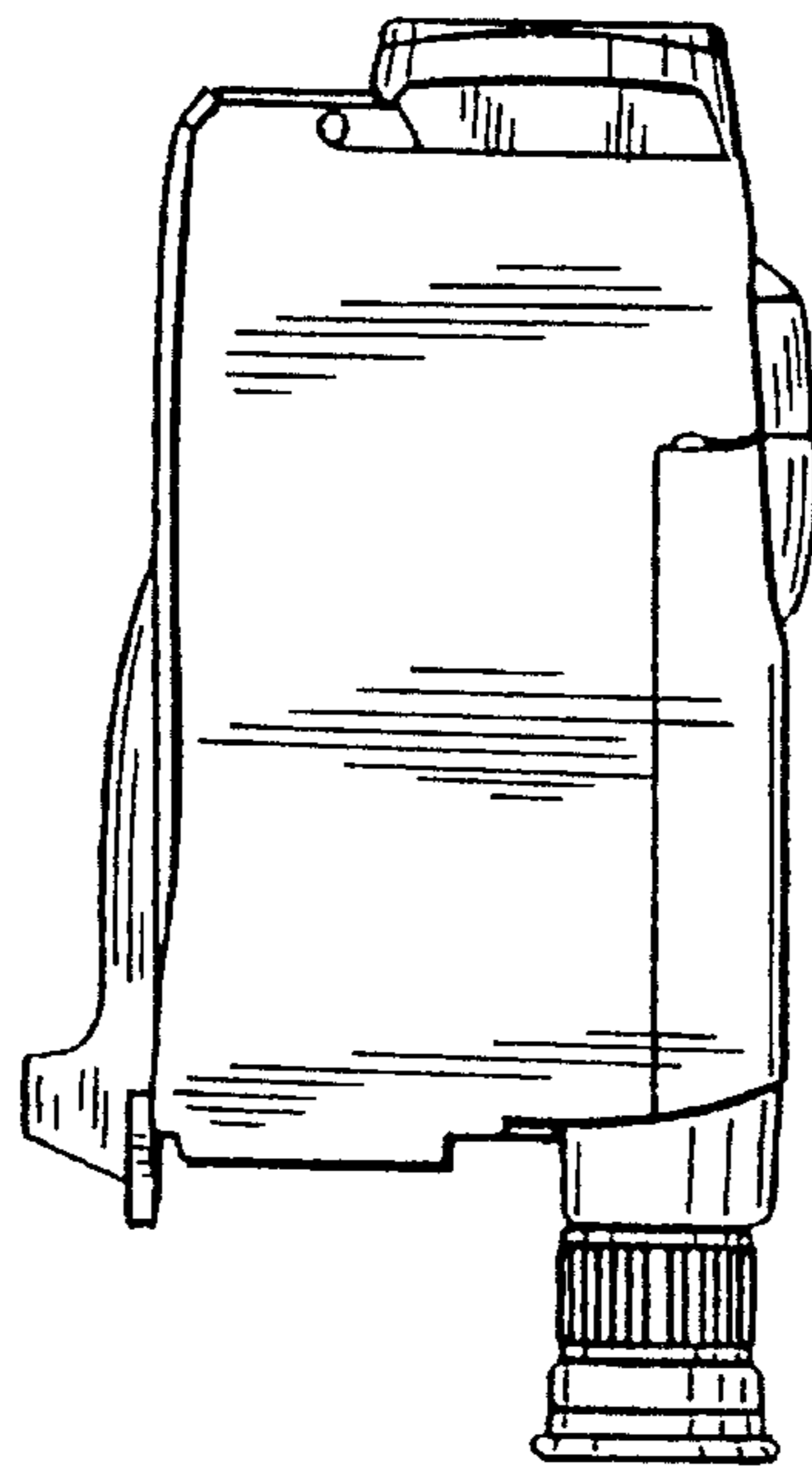


FIG. 6

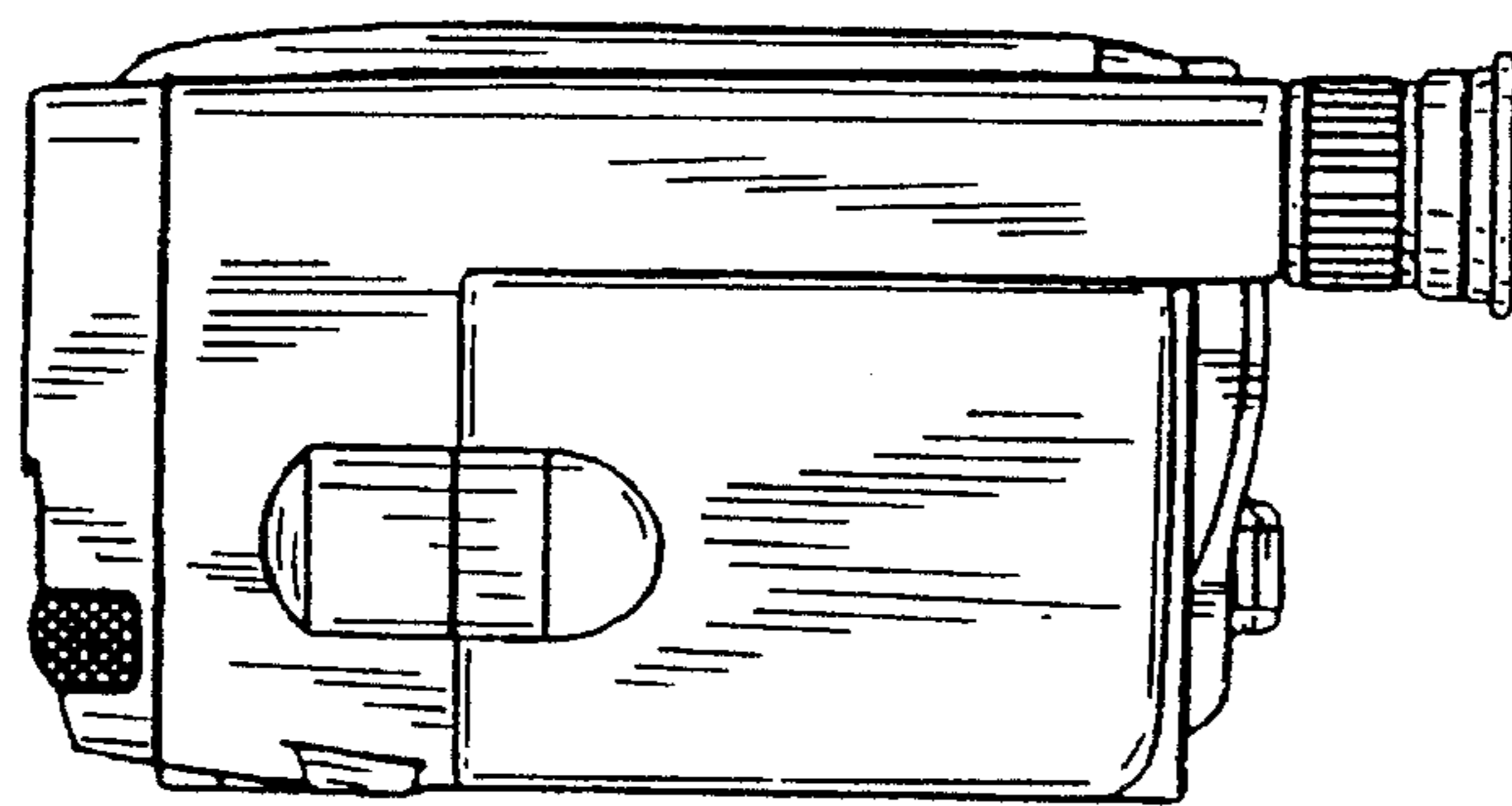


FIG. 7

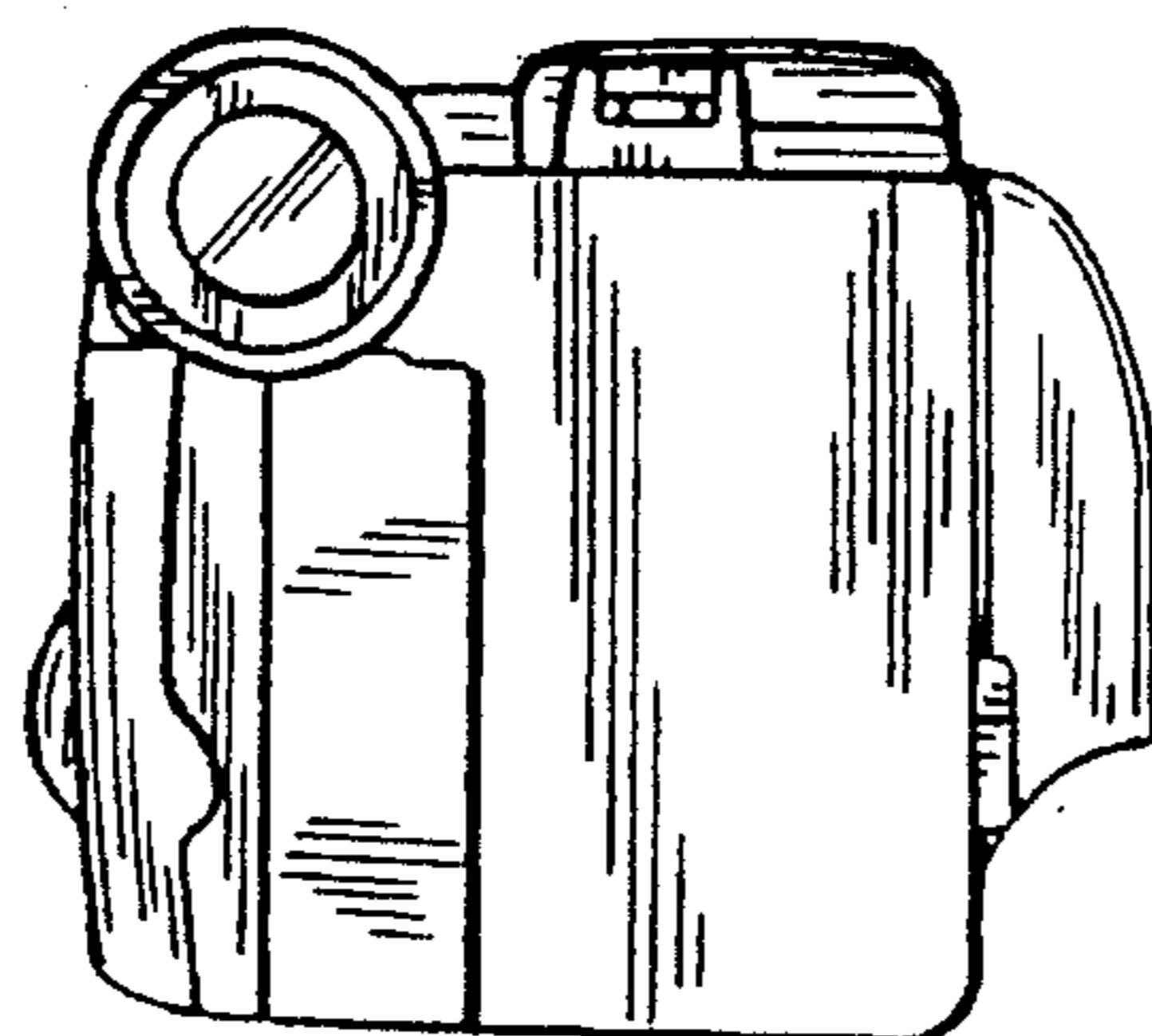


FIG. 8