



US00D375106S

United States Patent [19]

Matsuda et al.

[11] Patent Number: **Des. 375,106**

[45] Date of Patent: ****Oct. 29, 1996**

[54] **BINOCULARS**

[75] Inventors: **Takashi Matsuda; Masahiro Koinuma**, both of Tokyo, Japan

[73] Assignee: **Asahi Kogaku Kogyo Kabushiki Kaisha**, Tokyo, Japan

[**] Term: **14 Years**

[21] Appl. No.: **41,234**

[22] Filed: **Jul. 10, 1995**

[30] Foreign Application Priority Data

Jan. 10, 1995 [JP] Japan 7-234

[52] U.S. Cl. **D16/133**

[58] Field of Search D16/132-133;
359/407-418, 480-482

[56] References Cited

U.S. PATENT DOCUMENTS

- D. 243,761 3/1977 Huckenbeck D16/133
- D. 306,606 3/1990 Yamanaka et al. D16/133
- D. 311,748 10/1990 Kwon D16/133
- D. 338,027 8/1993 Ushiyama D16/133

- D. 359,973 7/1995 Hayamizu D16/133
- D. 364,631 11/1995 Hamamura D16/133

OTHER PUBLICATIONS

Best General Merchandise Catalog, 1993/1994, See Item #4.
Pentax Brochure, See Models 8X 24UCF and 10X 24UCF.

Primary Examiner—James M. Gandy

Assistant Examiner—Stacia Sinuik

Attorney, Agent, or Firm—Sughrue, Mion, Zinn, Macpeak & Seas

[57] CLAIM

The ornamental design for binoculars, as shown.

DESCRIPTION

FIG. 1 is a perspective view of the front, top and right side of binoculars showing our new design; FIG. 2 is a front elevational view thereof; FIG. 3 is a rear elevational view thereof; FIG. 4 is a top plan view thereof; FIG. 5 is a right side elevational view thereof; FIG. 6 is a left side elevational view thereof; and, FIG. 7 is a bottom plan view thereof.

1 Claim, 3 Drawing Sheets

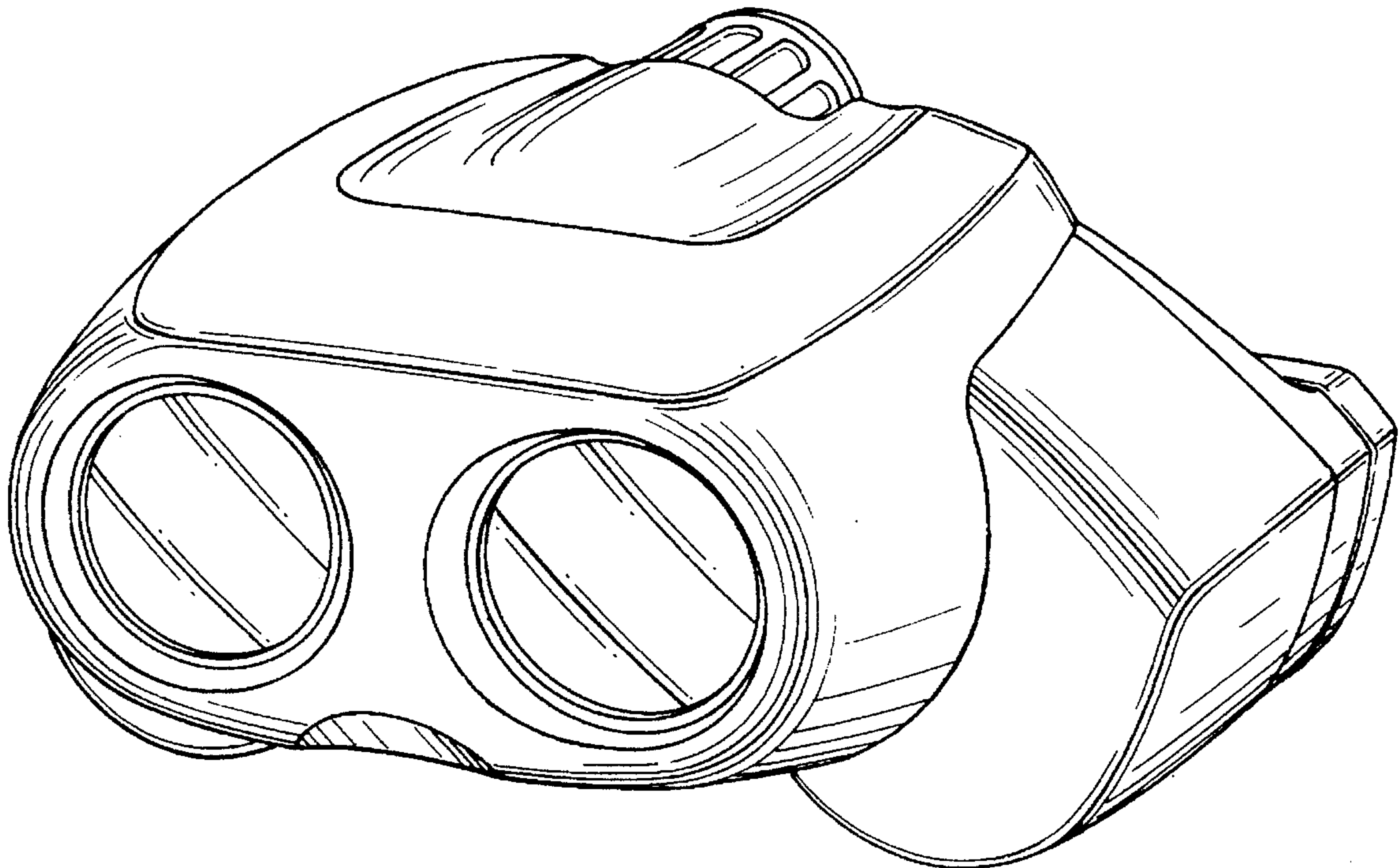


FIG. 1

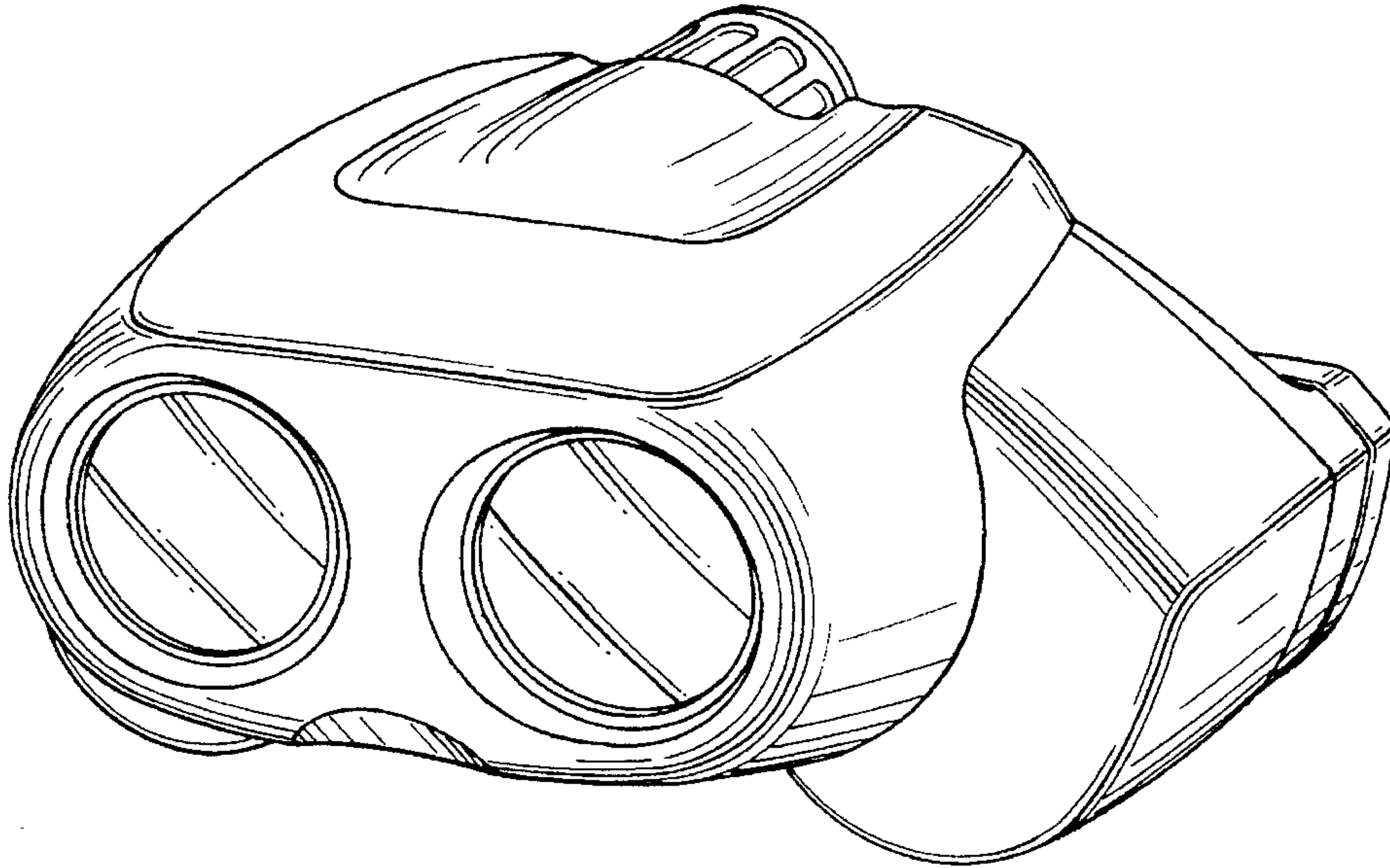


FIG. 2

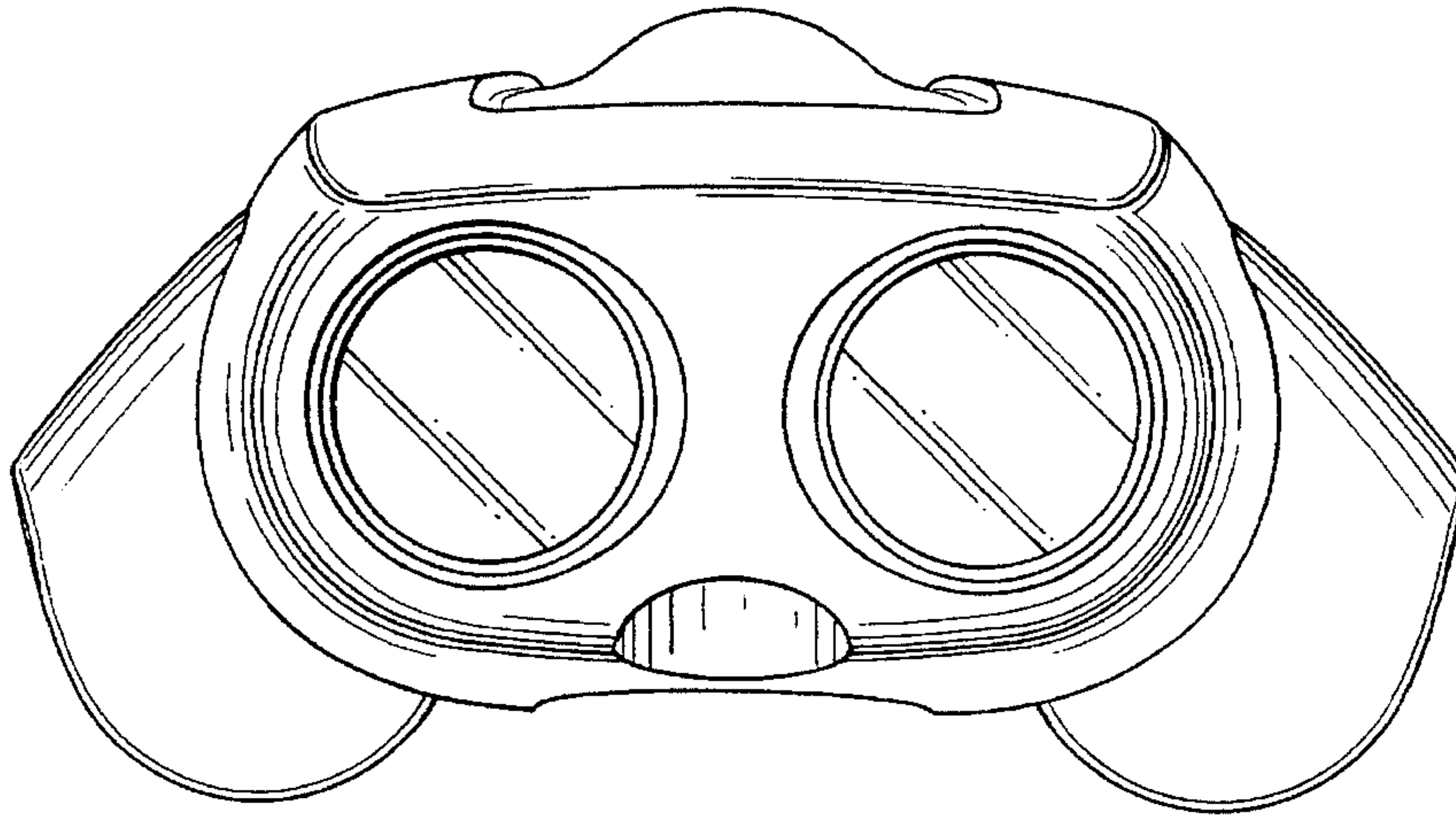


FIG. 3

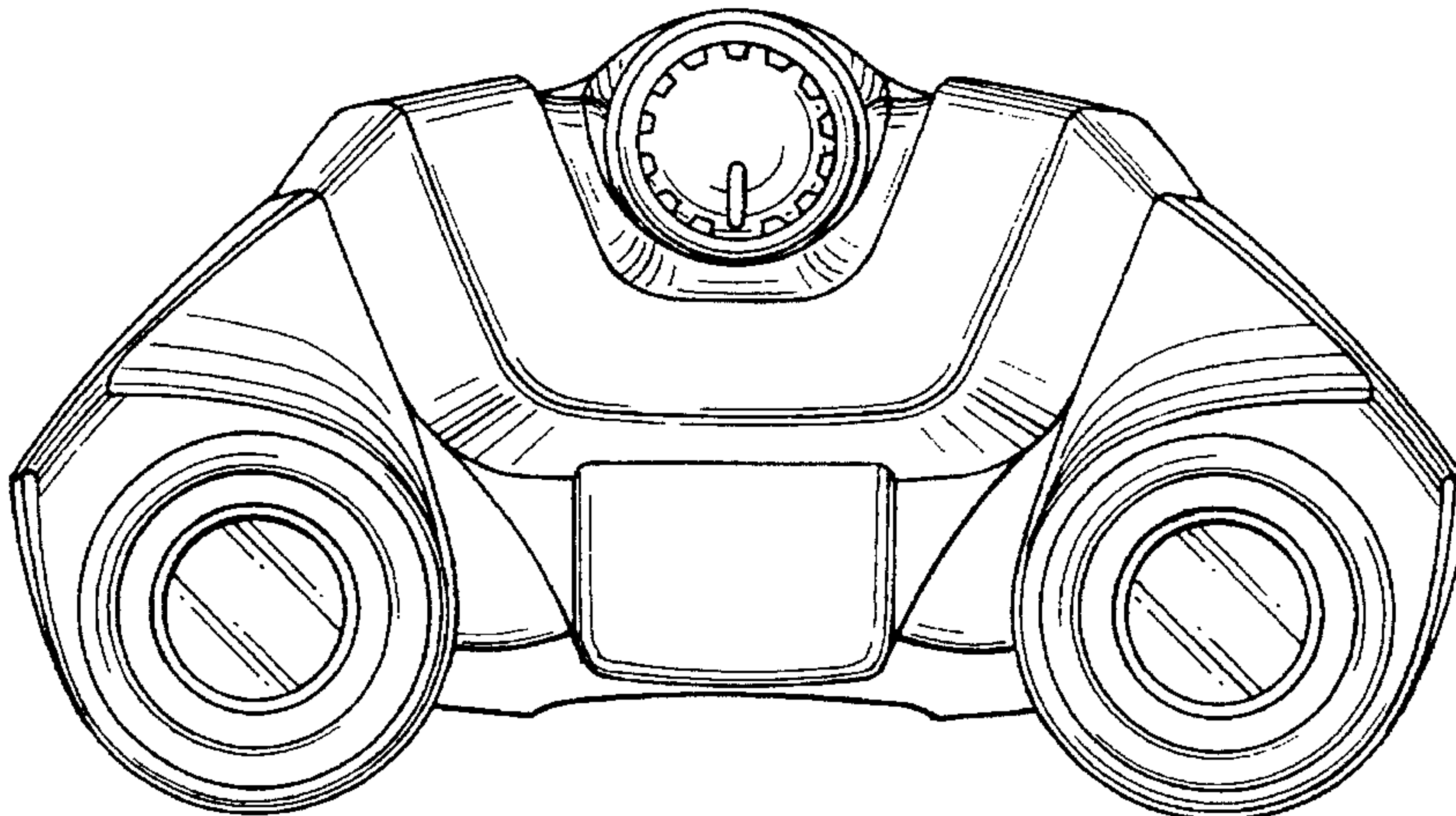


FIG. 4

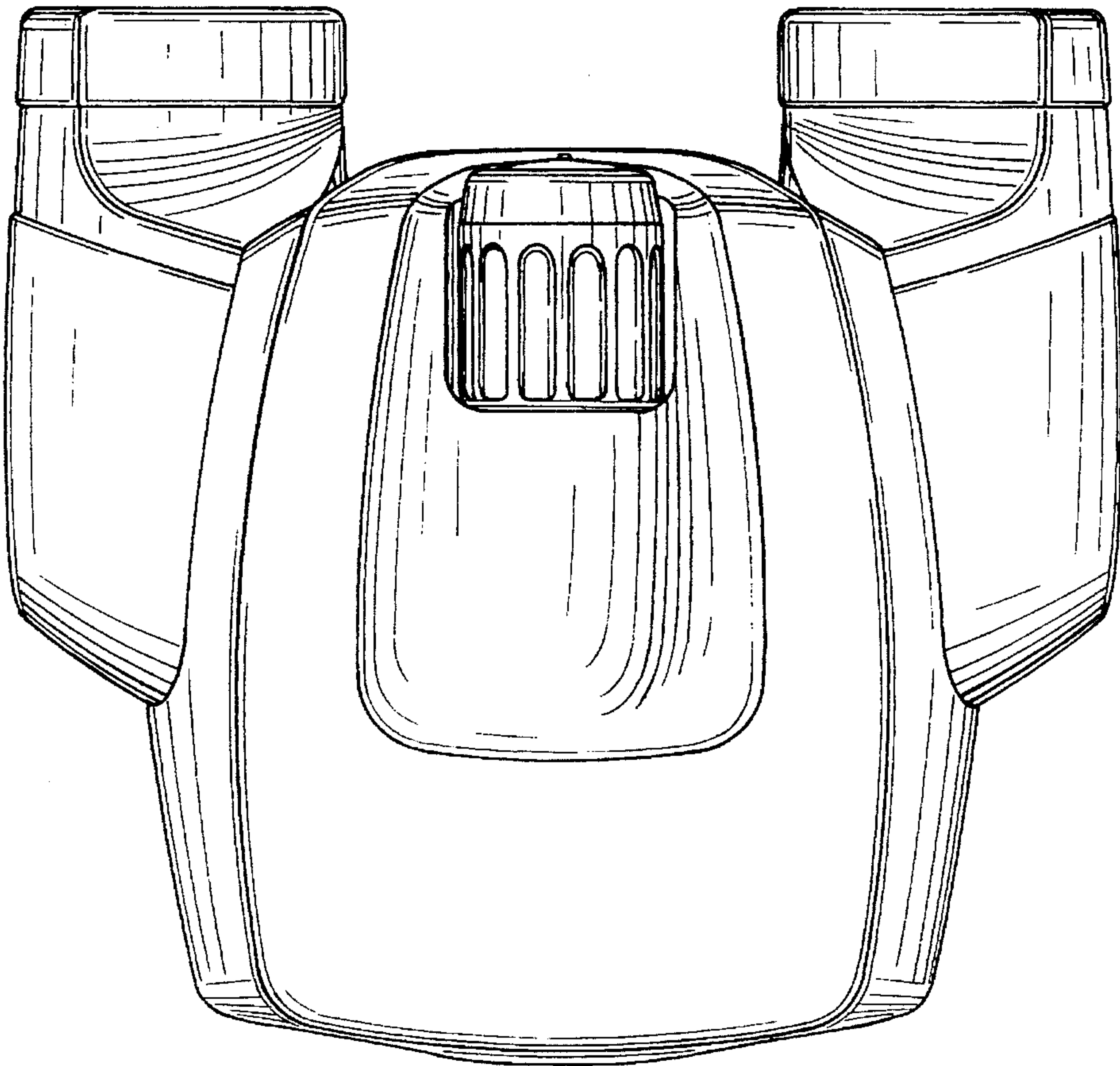


FIG. 5

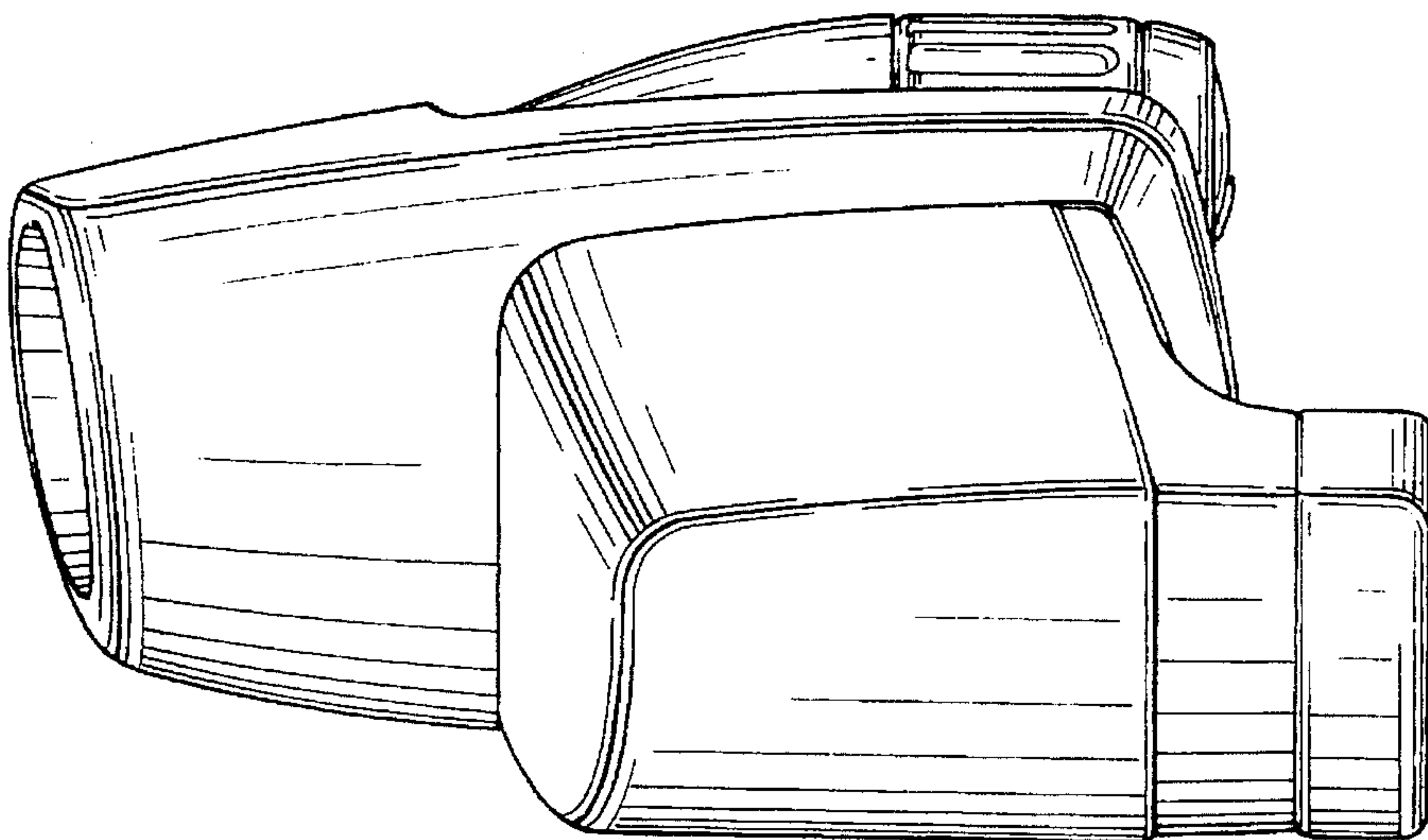


FIG. 6

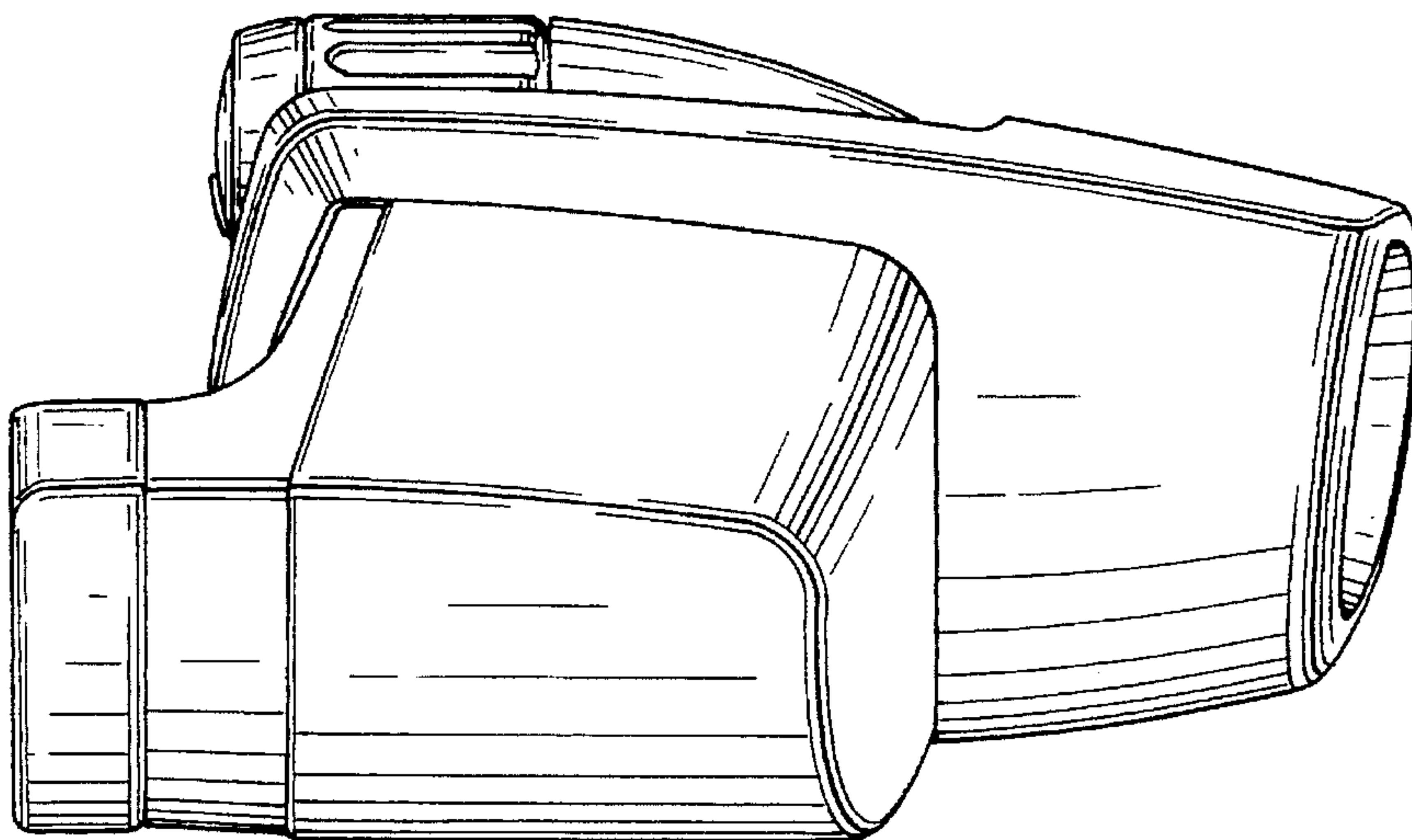


FIG. 7

