



US00D375105S

United States Patent [19]

Simms

[11] Patent Number: **Des. 375,105**

[45] Date of Patent: ****Oct. 29, 1996**

[54] **LOGSPLITTING APPARATUS**

[76] Inventor: **Frank R. Simms**, P.O. Box 802, 63-B Gonyeau Rd., Milton, Vt. 05468

[**] Term: **14 Years**

[21] Appl. No.: **44,253**

[22] Filed: **Sep. 21, 1995**

[52] U.S. Cl. **D15/127**

[58] Field of Search D15/127; 144/193 A, 144/193 B, 193 C, 193 D, 193 E, 193 F, 193 G, 193 H, 193 I, 193 J, 193 K, 193 R, 366

[56] **References Cited**

U.S. PATENT DOCUMENTS

4,412,570 11/1983 Nickerson 144/193 A

Primary Examiner—Antoine Duval Davis
Attorney, Agent, or Firm—Thomas N. Neiman

[57] **CLAIM**

The ornamental design for a logsplitting apparatus, as shown and described.

DESCRIPTION

FIG. 1 is a bottom plan view of the novel logsplitting apparatus;

FIG. 2 is a top plan view thereof;

FIG. 3 is a side elevational view thereof, the opposite side view being a mirror image thereof;

FIG. 4 is a front elevational view thereof; and,

FIG. 5 is a rear elevational view thereof.

The broken line showing is for illustrative purposes only and forms no part of the claimed design.

1 Claim, 1 Drawing Sheet

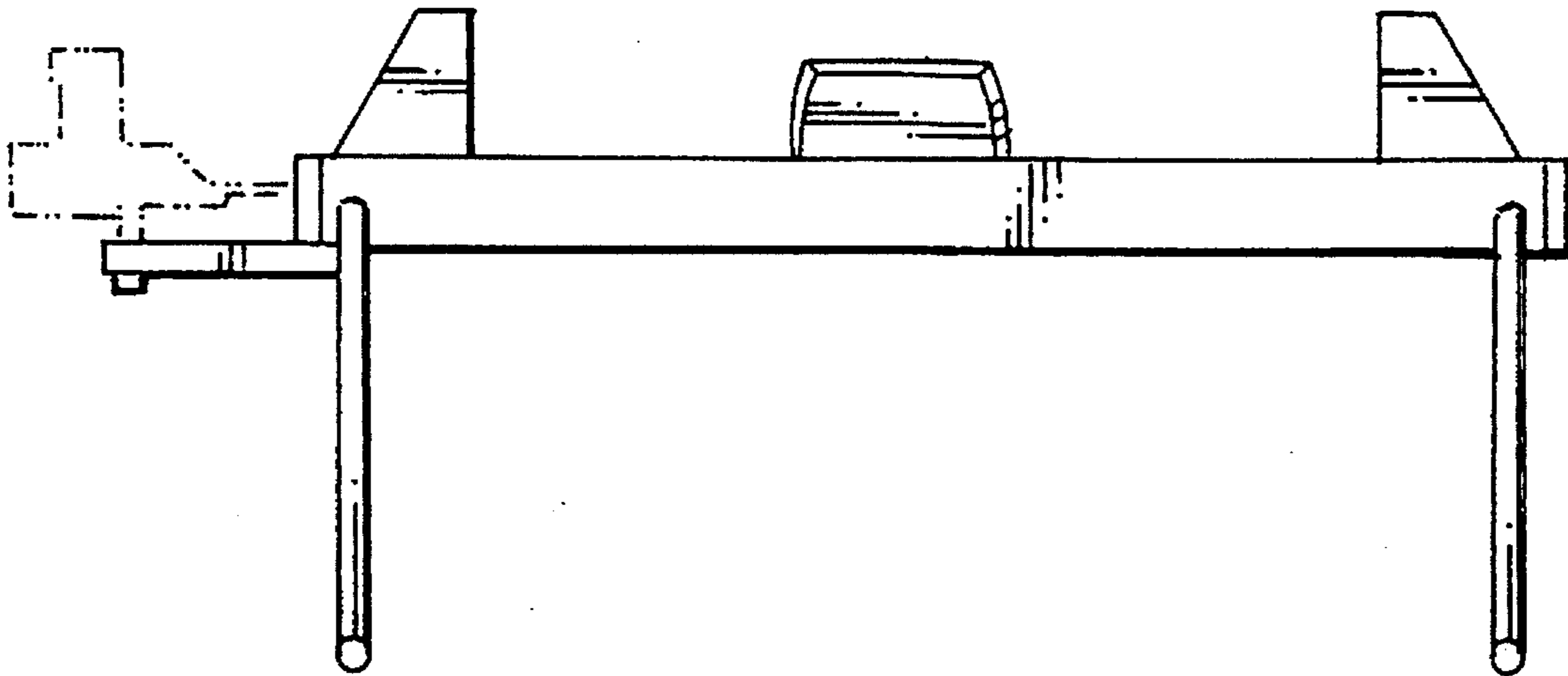


FIG.1

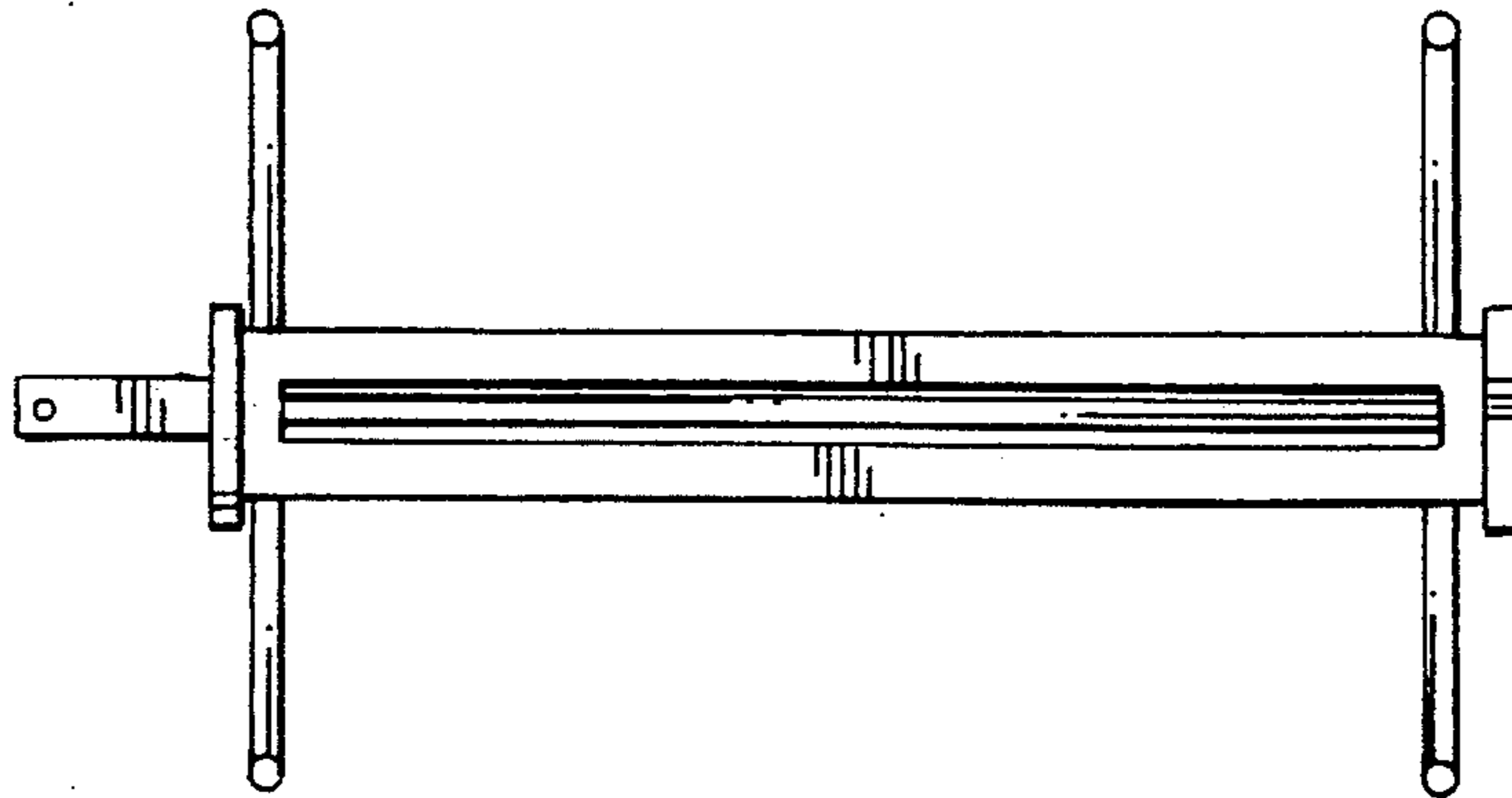


FIG.2

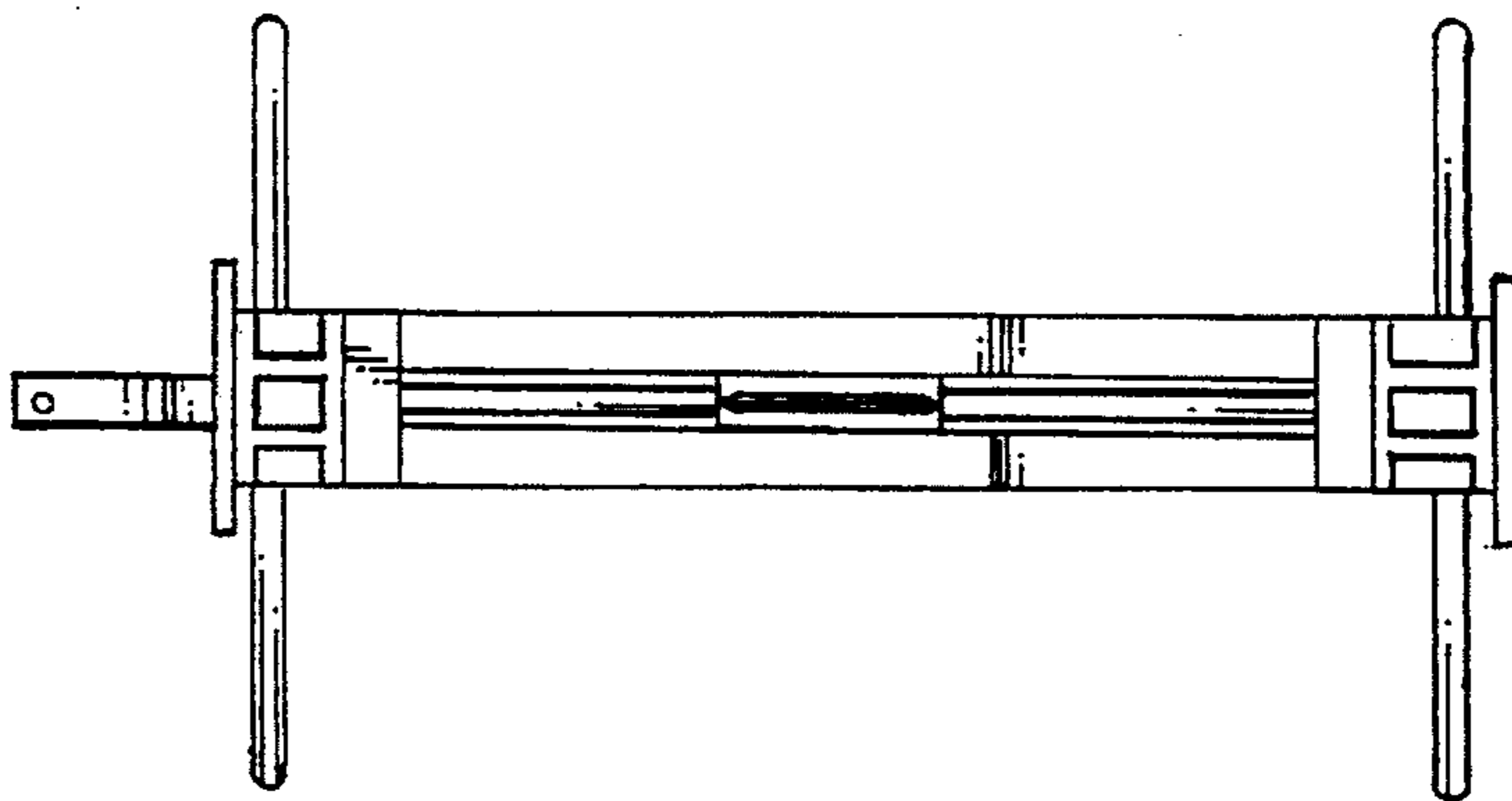


FIG.3

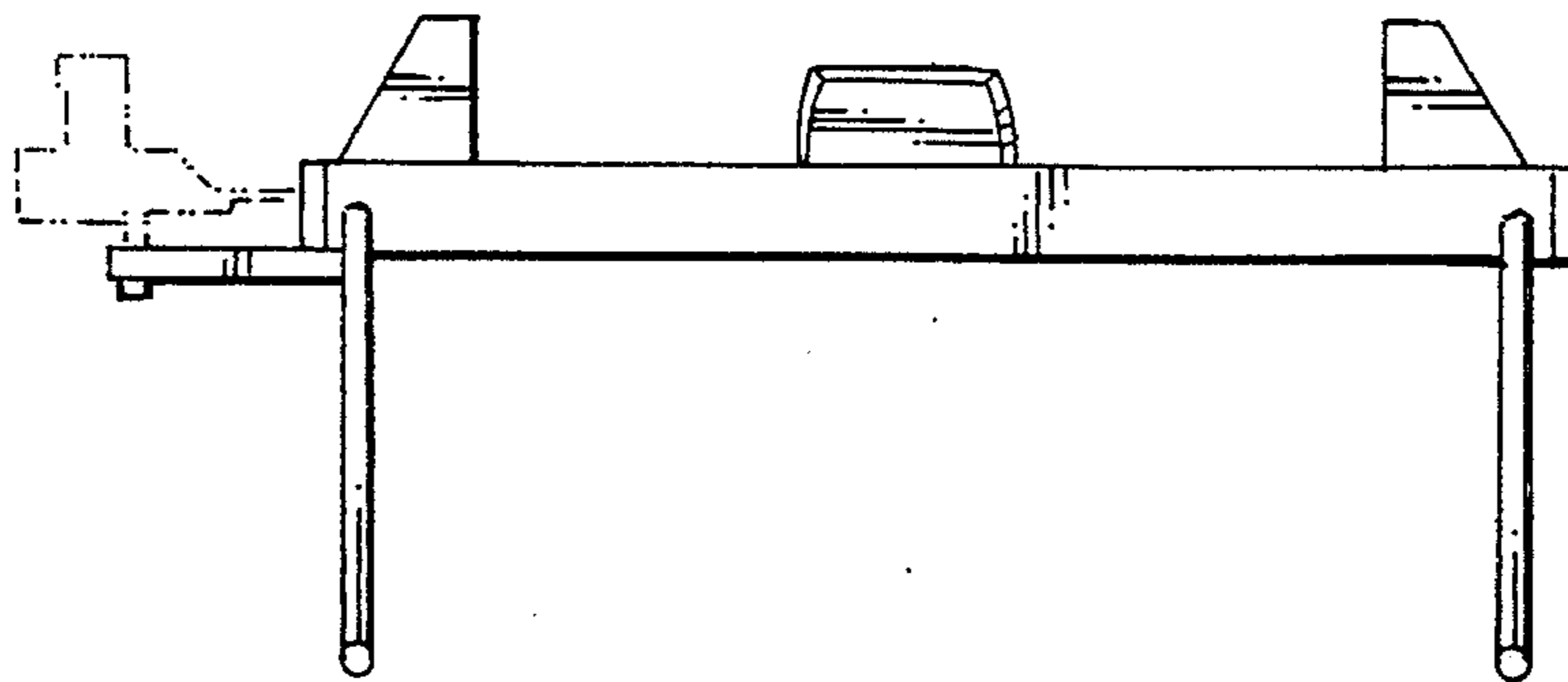


FIG.4

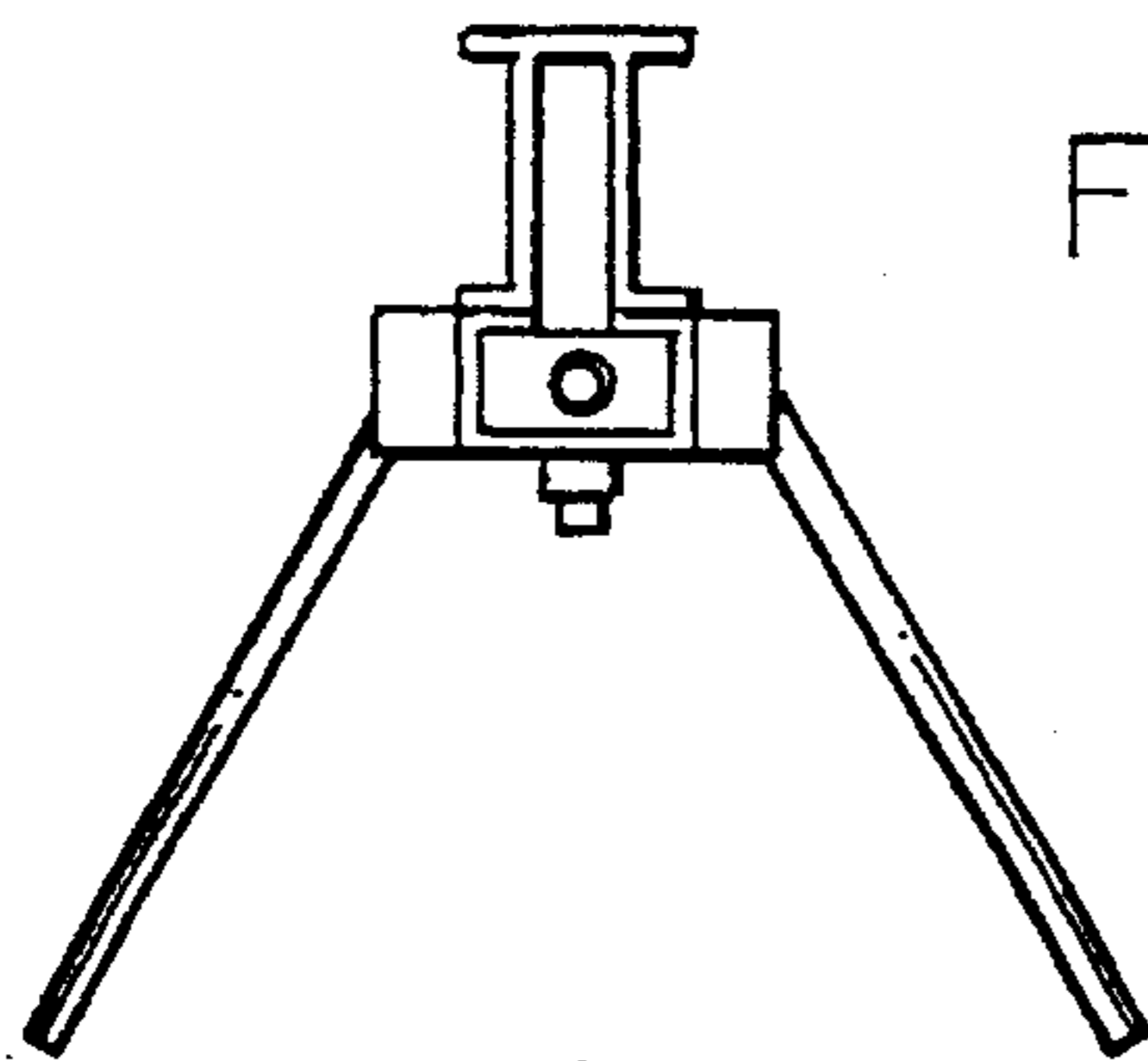


FIG.5

