



US00D375104S

**United States Patent** [19]  
**Shibuya**

[11] **Patent Number: Des. 375,104**  
[45] **Date of Patent: \*\*Oct. 29, 1996**

[54] **SEWING MACHINE**

D. 366,490 1/1996 Wu ..... D15/69  
4,220,103 9/1980 Kasahara et al. .... D15/68 X

[75] **Inventor: Shoichi Shibuya, Chofu, Japan**

*Primary Examiner*—Terry A. Wallace  
*Attorney, Agent, or Firm*—Morgan & Finnegan, L.L.P.

[73] **Assignee: Juki Corporation, Tokyo, Japan**

[\*\*] **Term: 14 Years**

[57] **CLAIM**

[21] **Appl. No.: 42,675**

The ornamental design for a sewing machine, as shown and described.

[22] **Filed: Aug. 14, 1995**

**DESCRIPTION**

[30] **Foreign Application Priority Data**

FIG. 1 is a perspective view of a sewing machine showing my new design;  
FIG. 2 is a top plan view thereof;  
FIG. 3 is a front view thereof;  
FIG. 4 is a bottom plan view thereof;  
FIG. 5 is a left side view thereof;  
FIG. 6 is a right side view thereof; and,  
FIG. 7 is a rear view thereof.

Feb. 16, 1995 [JP] Japan ..... 7-3964

[52] **U.S. Cl. .... D15/69**

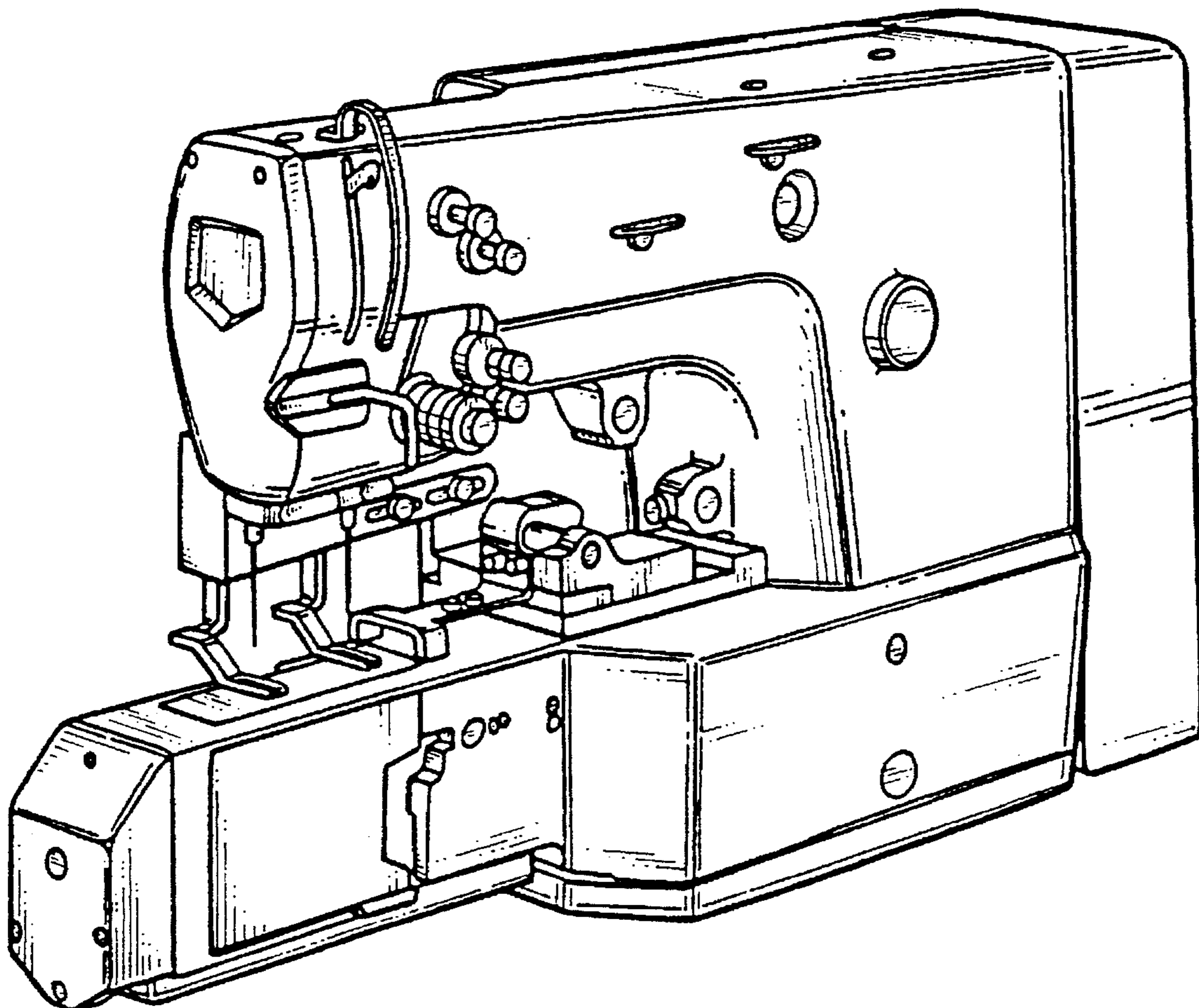
[58] **Field of Search** ..... D15/66-78; 112/217.1-217.4,  
112/258-261, 475.01-475.26

[56] **References Cited**

**U.S. PATENT DOCUMENTS**

D. 235,925 7/1975 Kudo et al. .... D15/68

**1 Claim, 3 Drawing Sheets**



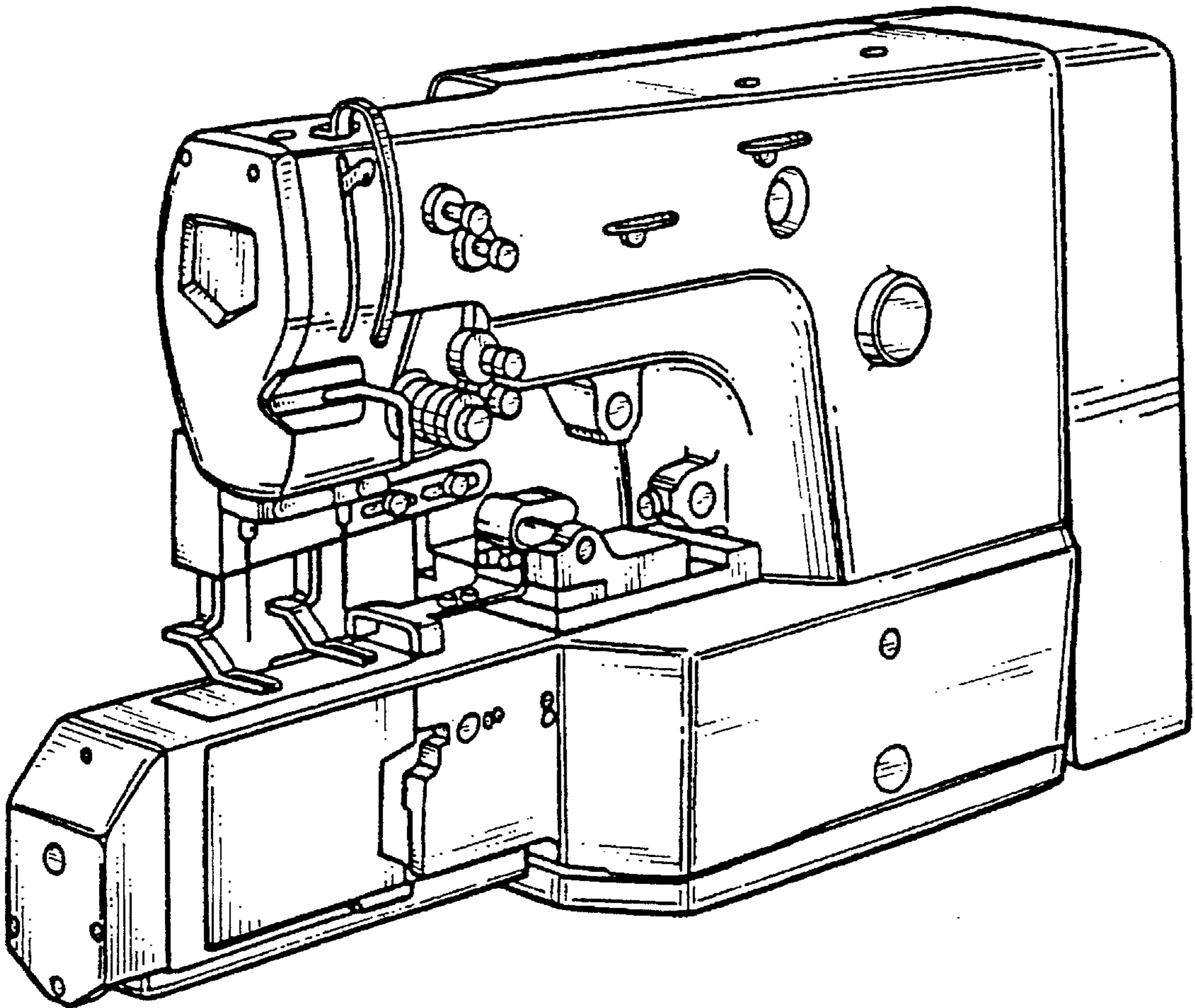


FIG. 1

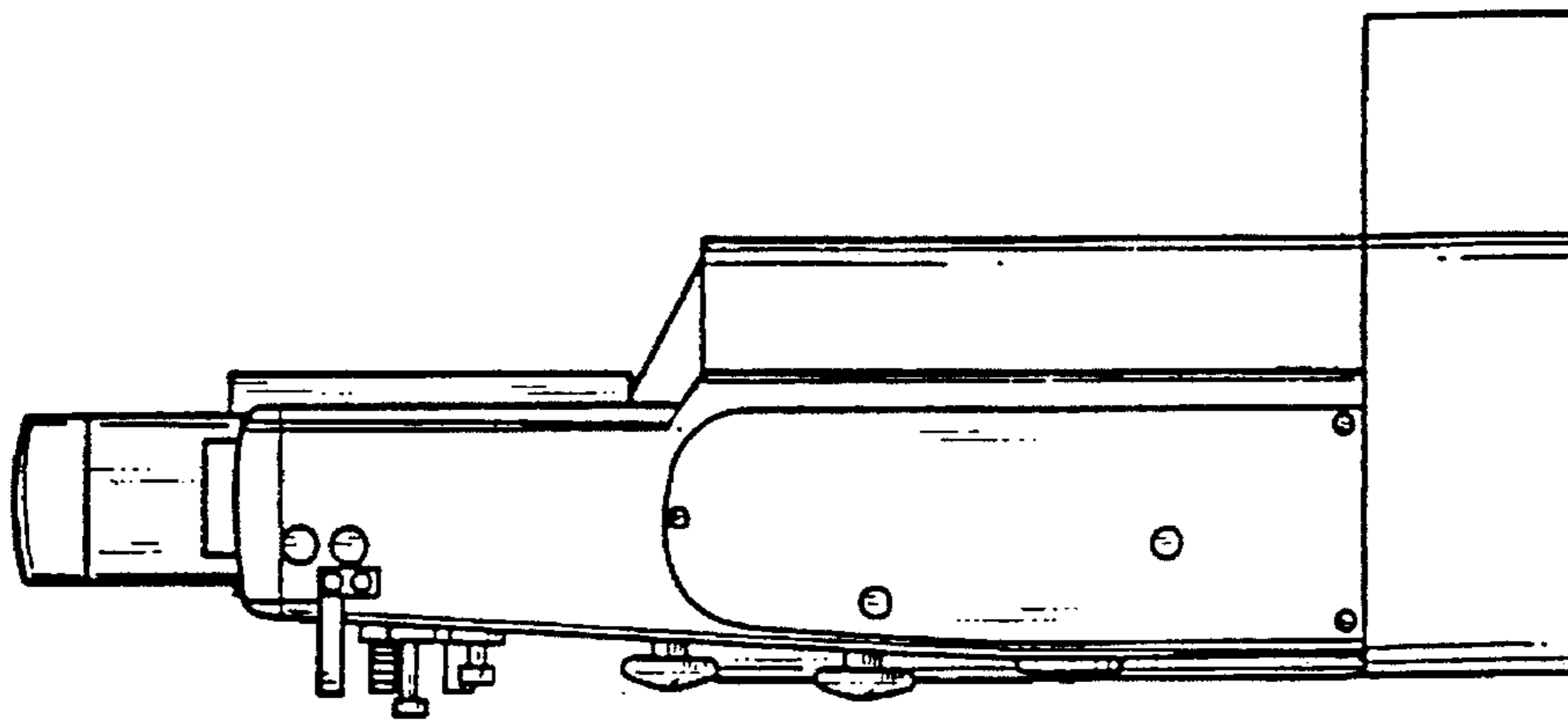


FIG. 2

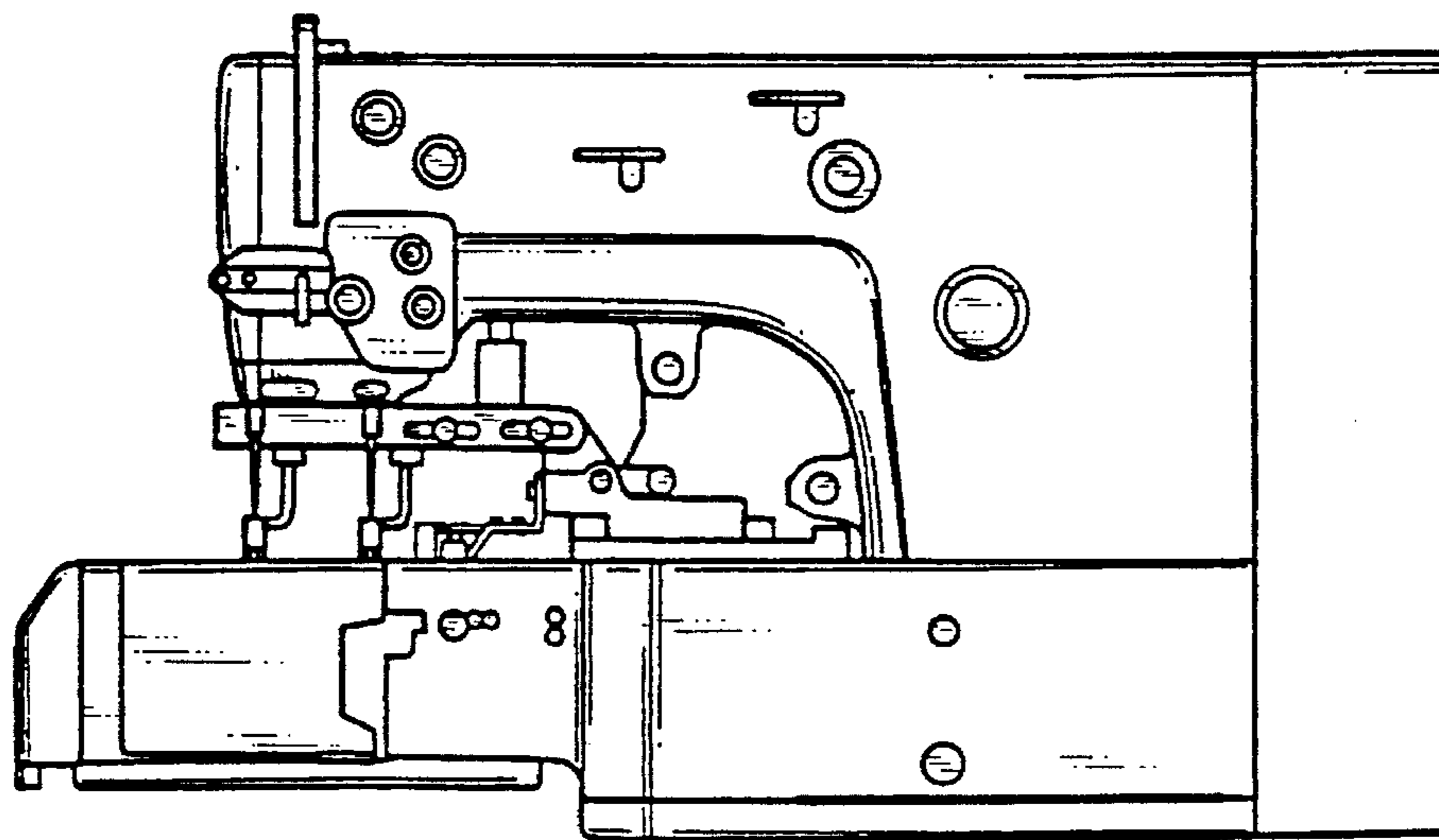


FIG. 3

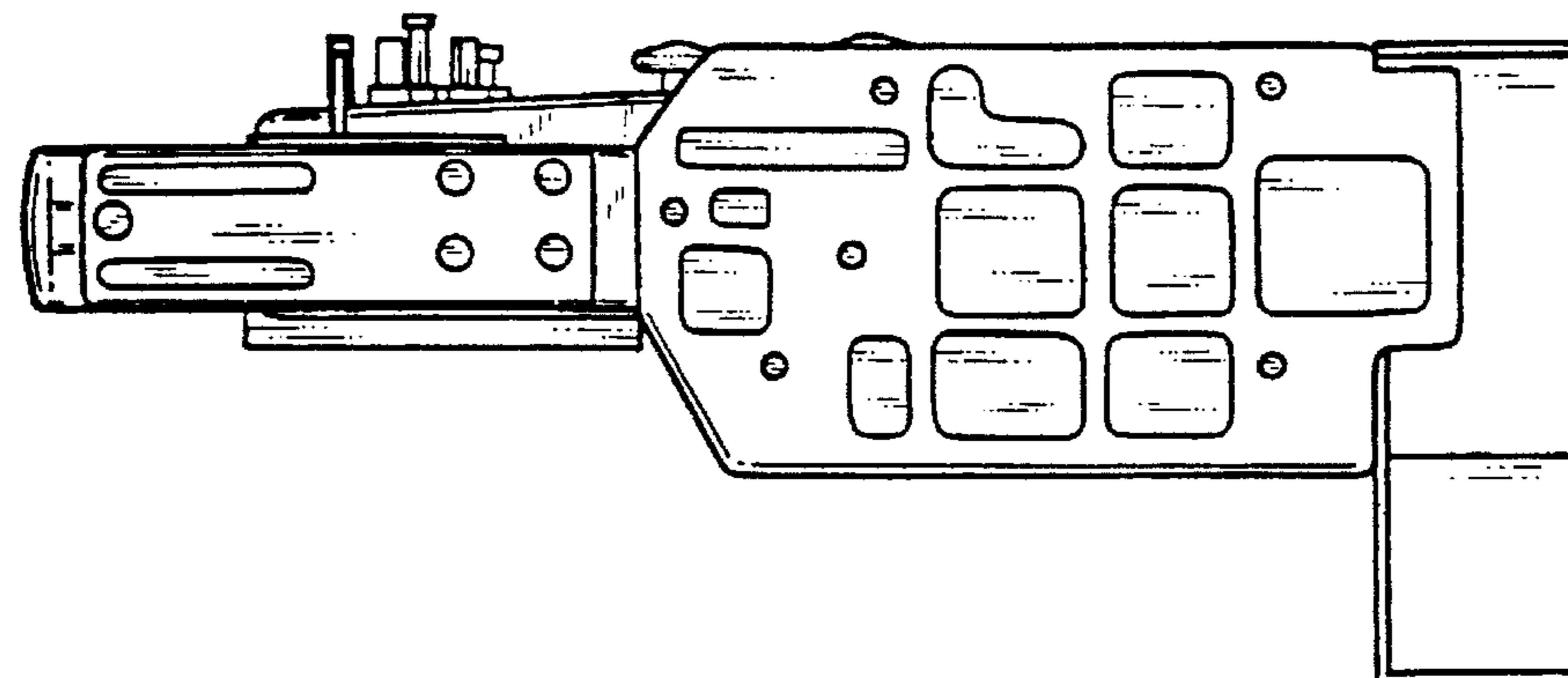


FIG. 4

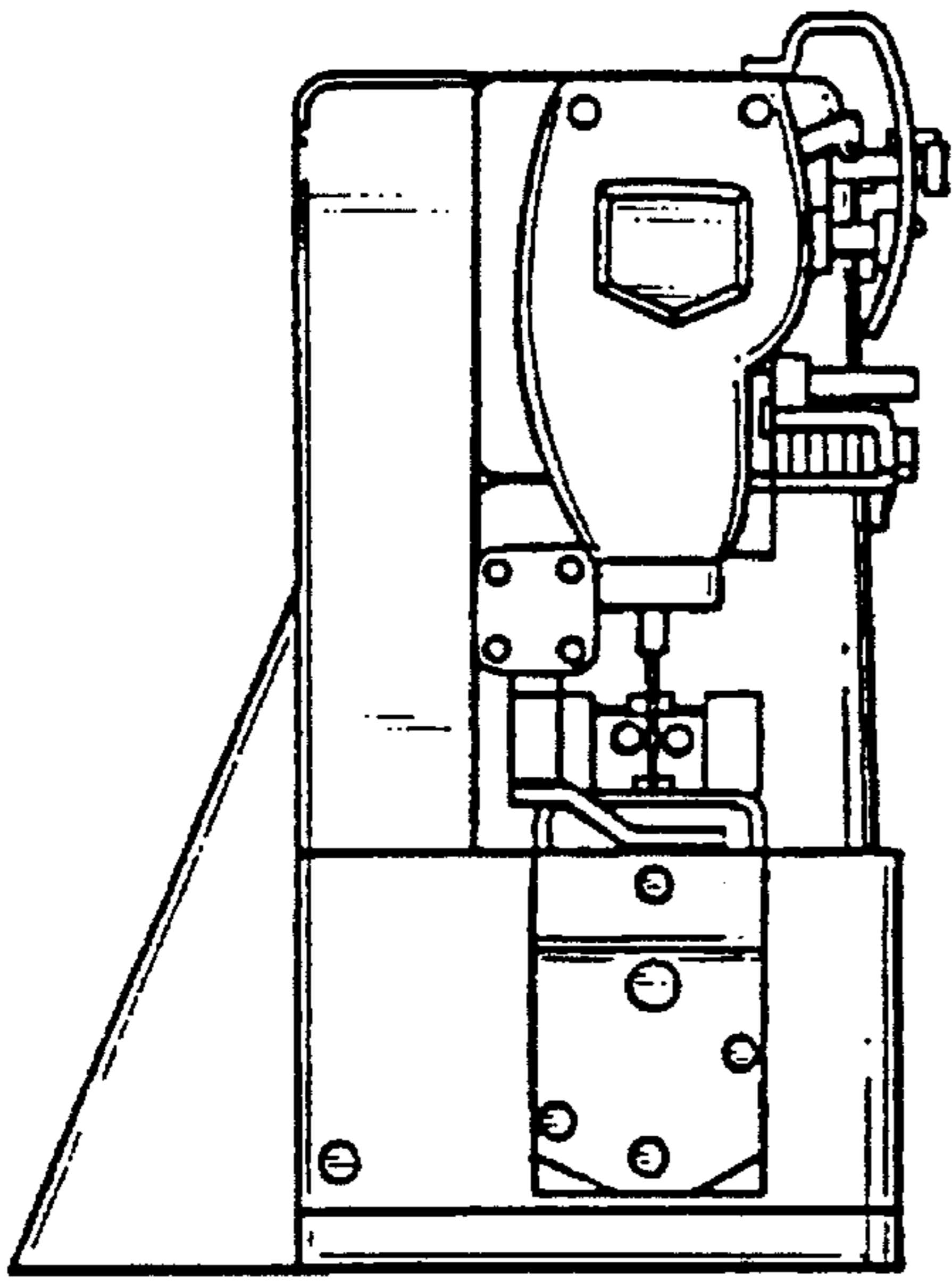


FIG. 5

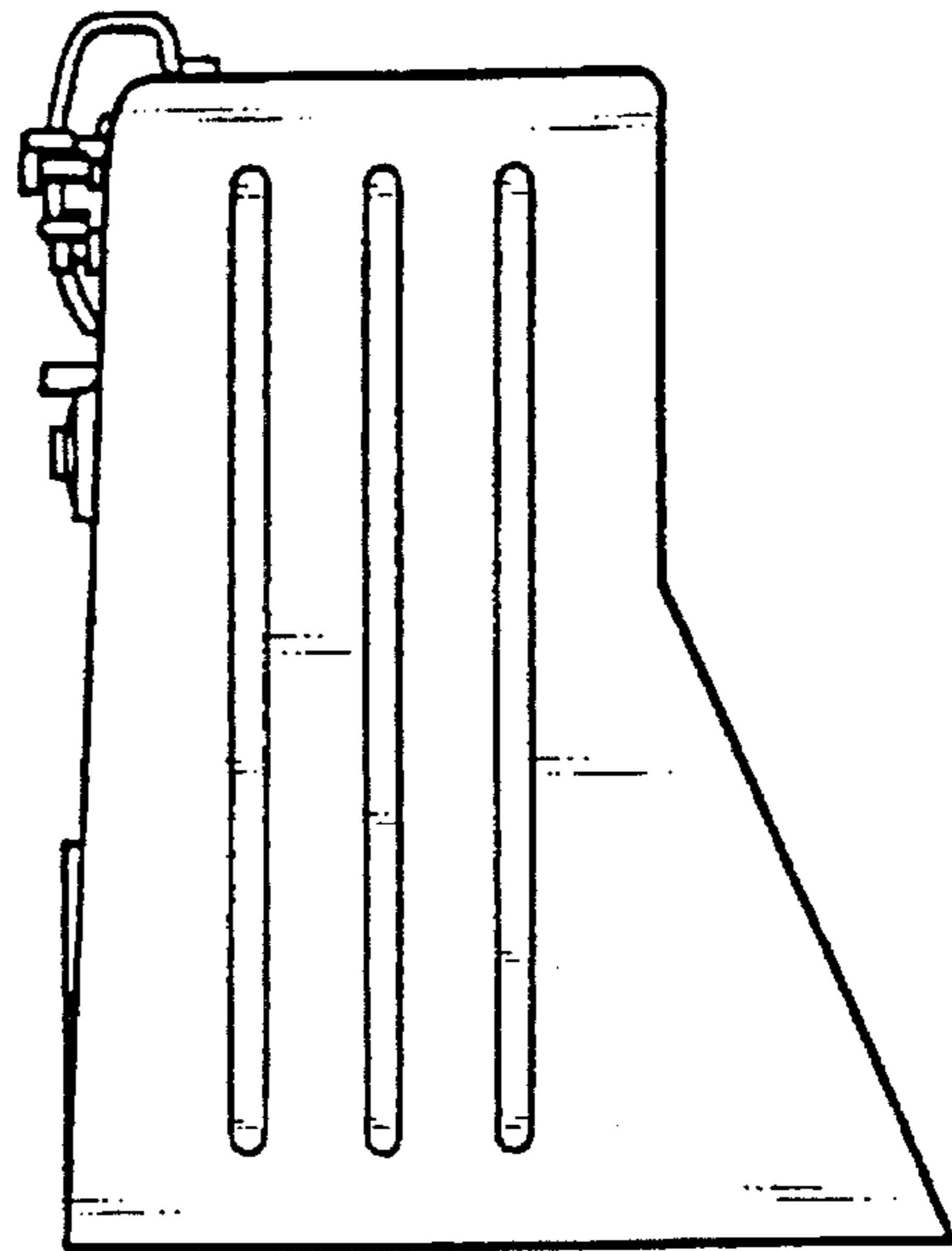


FIG. 6

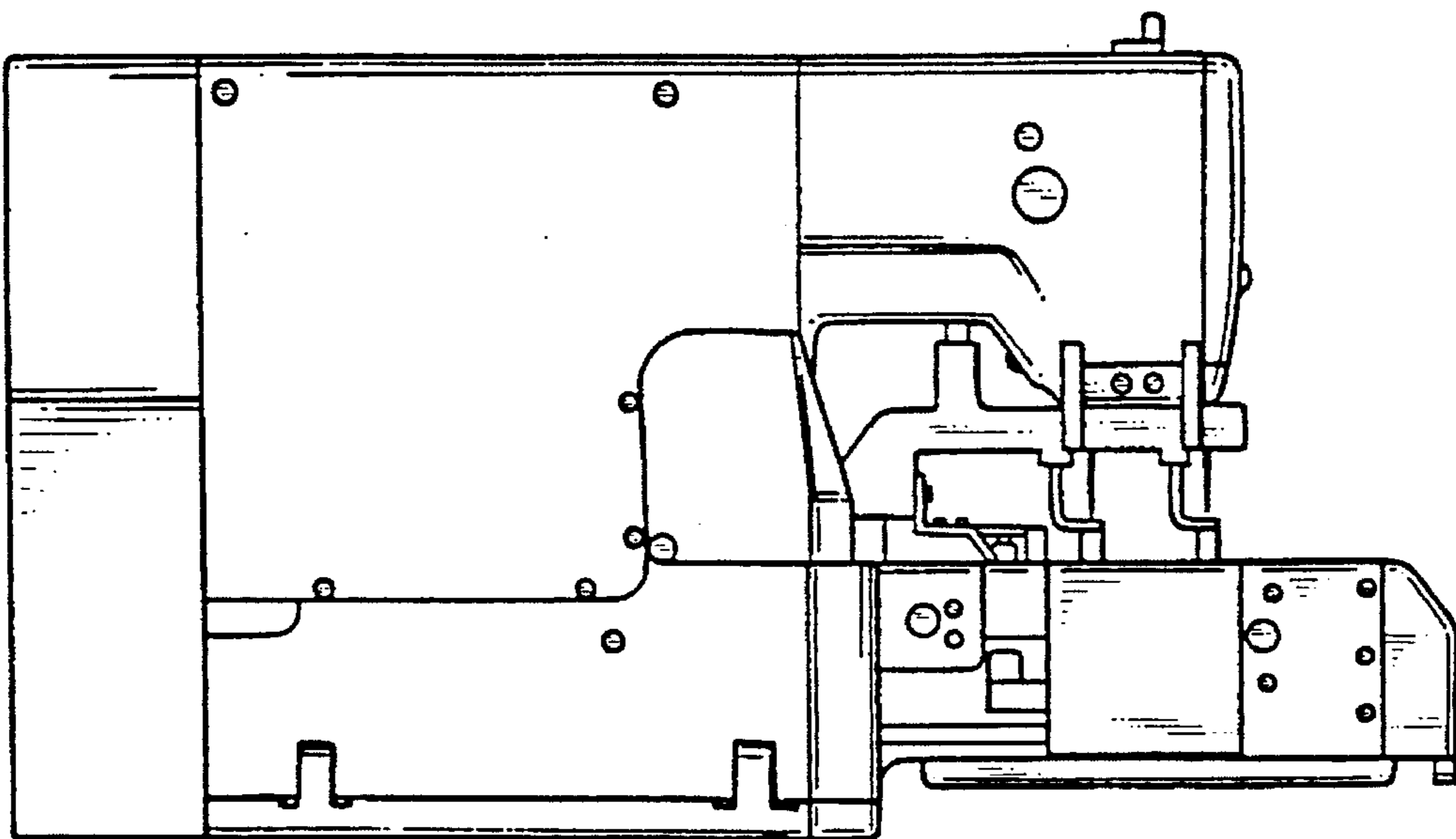


FIG. 7