



US00D375102S

**United States Patent** [19]  
**DeHimer**

[11] **Patent Number: Des. 375,102**

[45] **Date of Patent: \*\*Oct. 29, 1996**

[54] **THROTTLE BODY**

[76] Inventor: **William S. DeHimer**, 7873 W. Thomas St., Rome, N.Y. 13440

[\*\*] Term: **14 Years**

[21] Appl. No.: **40,082**

[22] Filed: **Jun. 9, 1995**

[52] **U.S. Cl.** ..... **D15/5**

[58] **Field of Search** ..... D15/5, 6; 261/DIG. 12, 261/DIG. 51, DIG. 56, DIG. 60, 44.9, 41.2, 36.2

[56] **References Cited**

**U.S. PATENT DOCUMENTS**

D. 220,730	5/1971	Weiland	.....	D15/5
D. 279,101	6/1985	Halcomb, Sr. et al.	.....	D15/5
D. 358,156	5/1995	Bendell	.....	D15/5
4,673,536	6/1987	Morris	.....	261/DIG. 12

**OTHER PUBLICATIONS**

JEG's High Performance Mail Order Catalog, p. 100-Q, bottom right.

*Primary Examiner*—Cathy Anne MacCormac  
*Assistant Examiner*—Frank Martinez  
*Attorney, Agent, or Firm*—Robert O. Wright

[57] **CLAIM**

The ornamental design for the throttle body, as shown and described.

**DESCRIPTION**

FIG. 1 is a top plan view thereof;

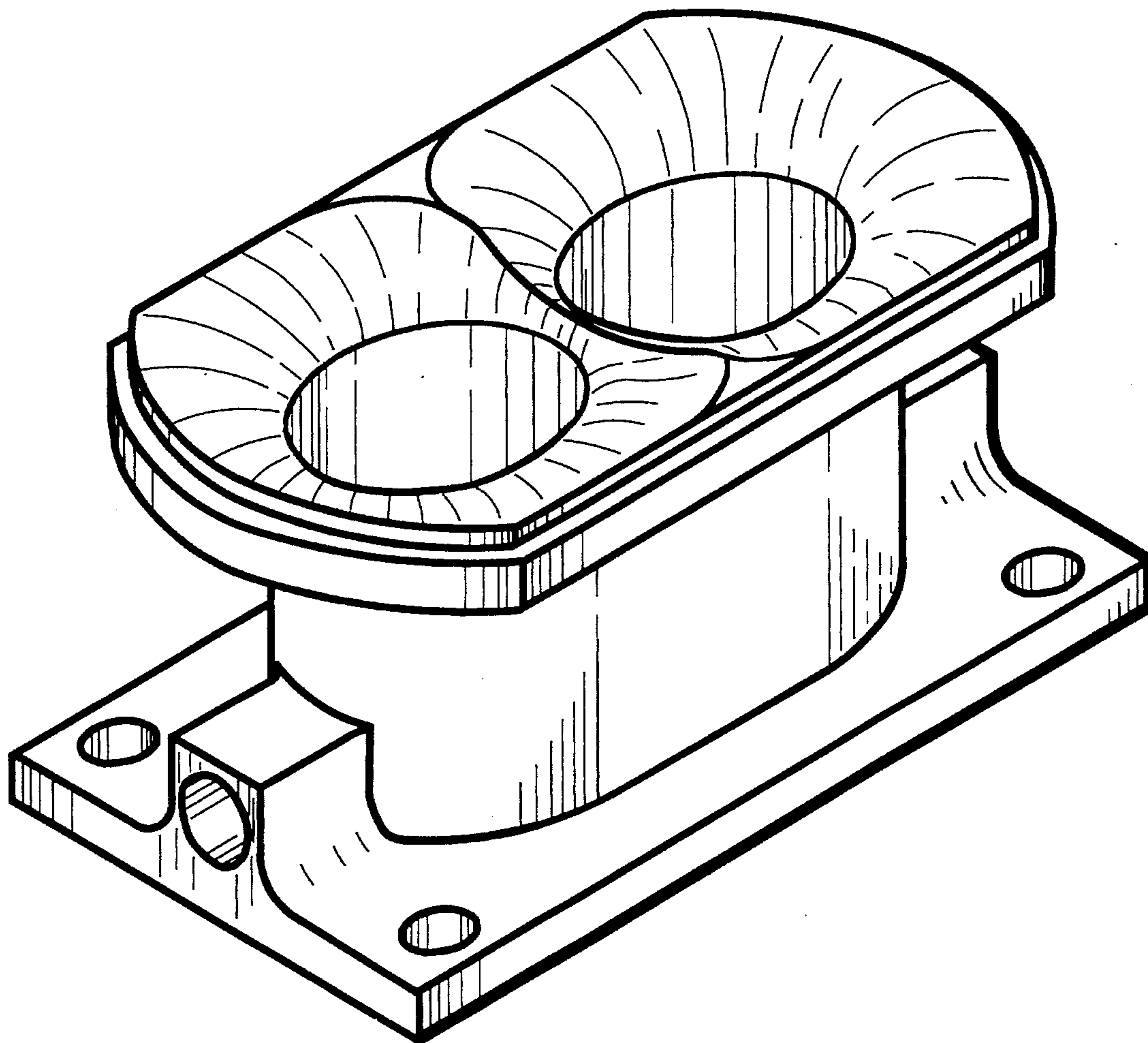
FIG. 2 is a front elevational view thereof, the rear elevational view being the same as said front elevational view;

FIG. 3 is a bottom plan view thereof;

FIG. 4 is a right side elevational view thereof, the left side elevational view being the same as the right side elevational view; and,

FIG. 5 is an enlarged perspective view of a throttle body showing my new design.

**1 Claim, 2 Drawing Sheets**



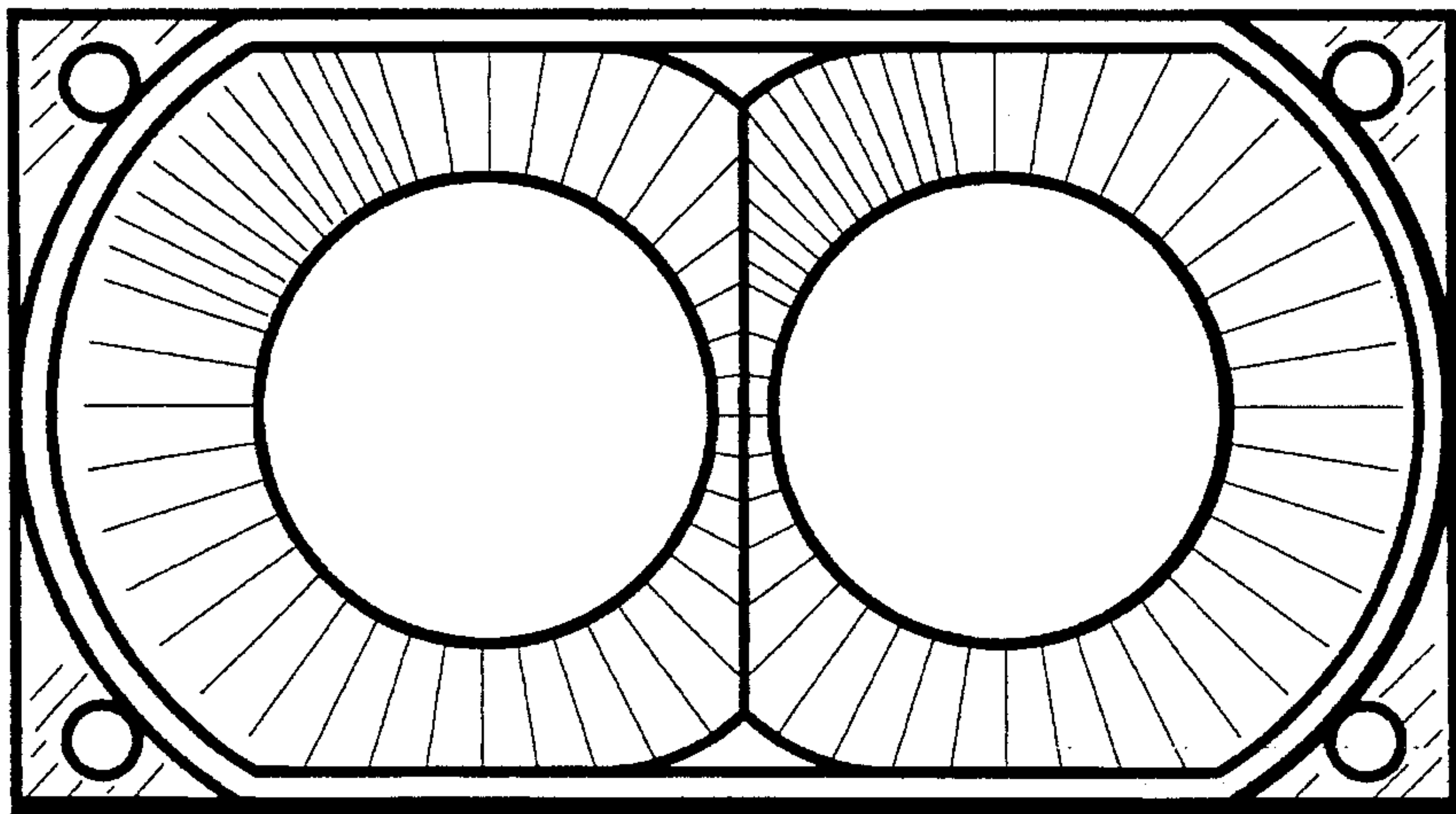


Fig. 1

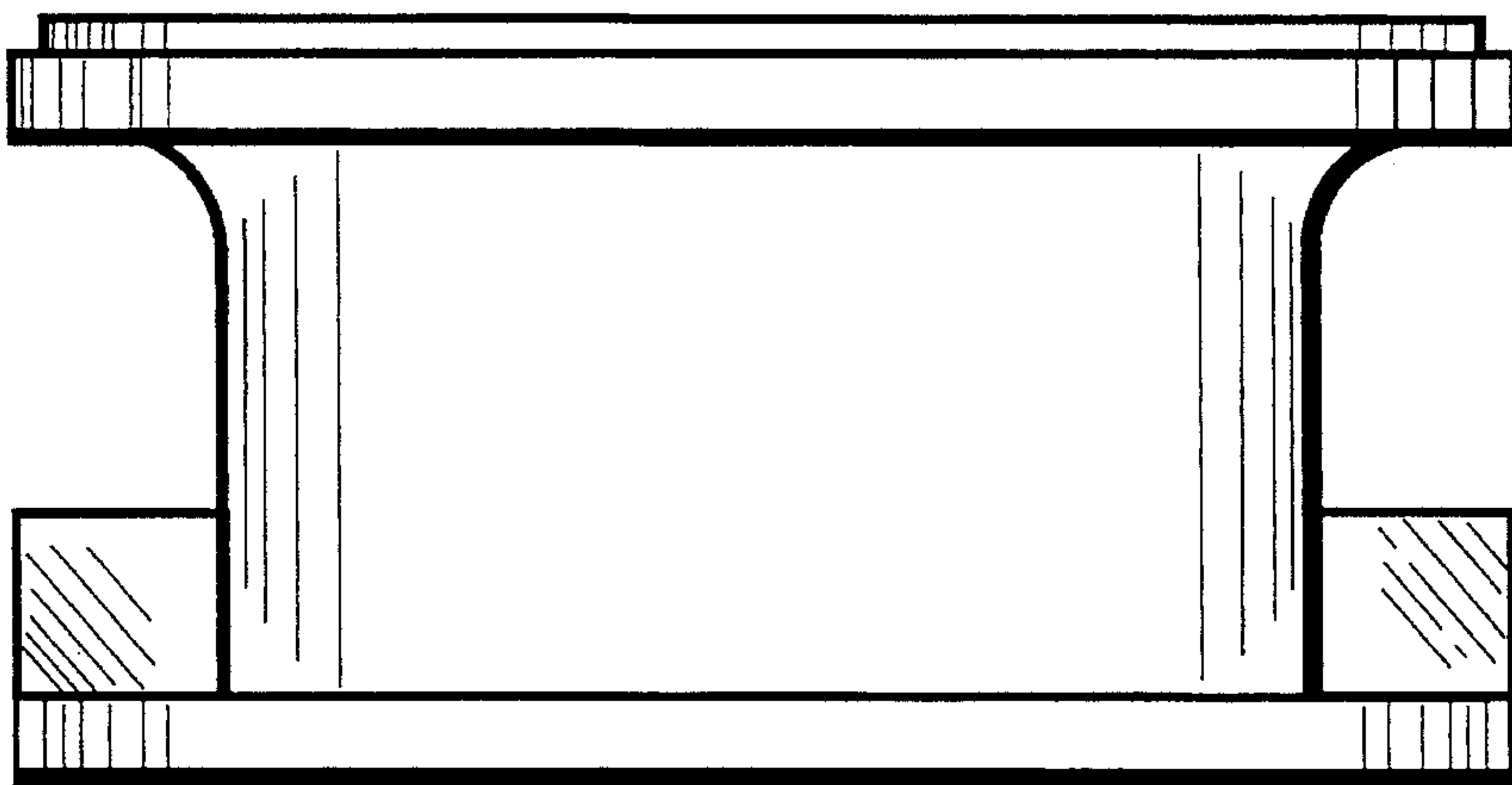


Fig. 2

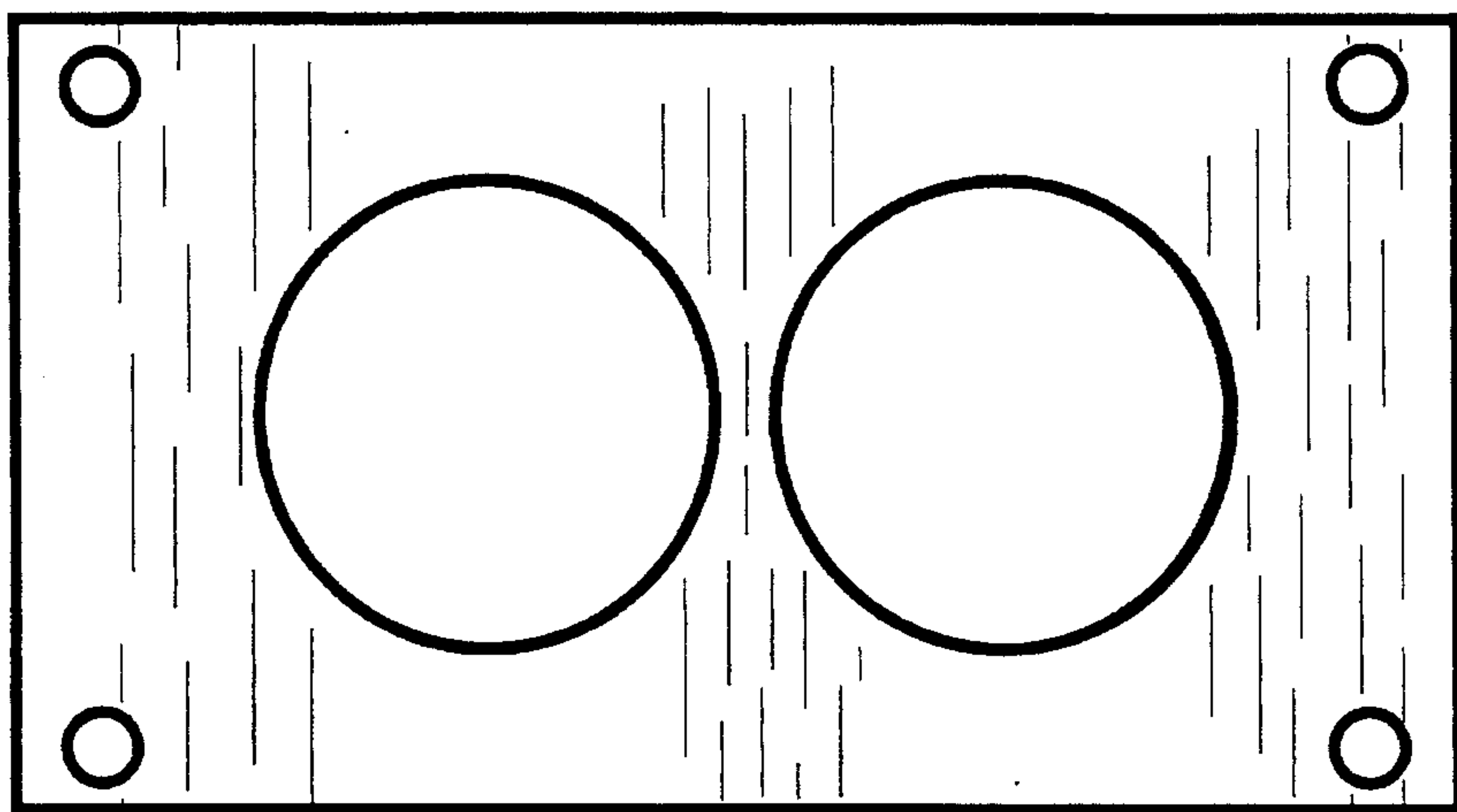


Fig. 3

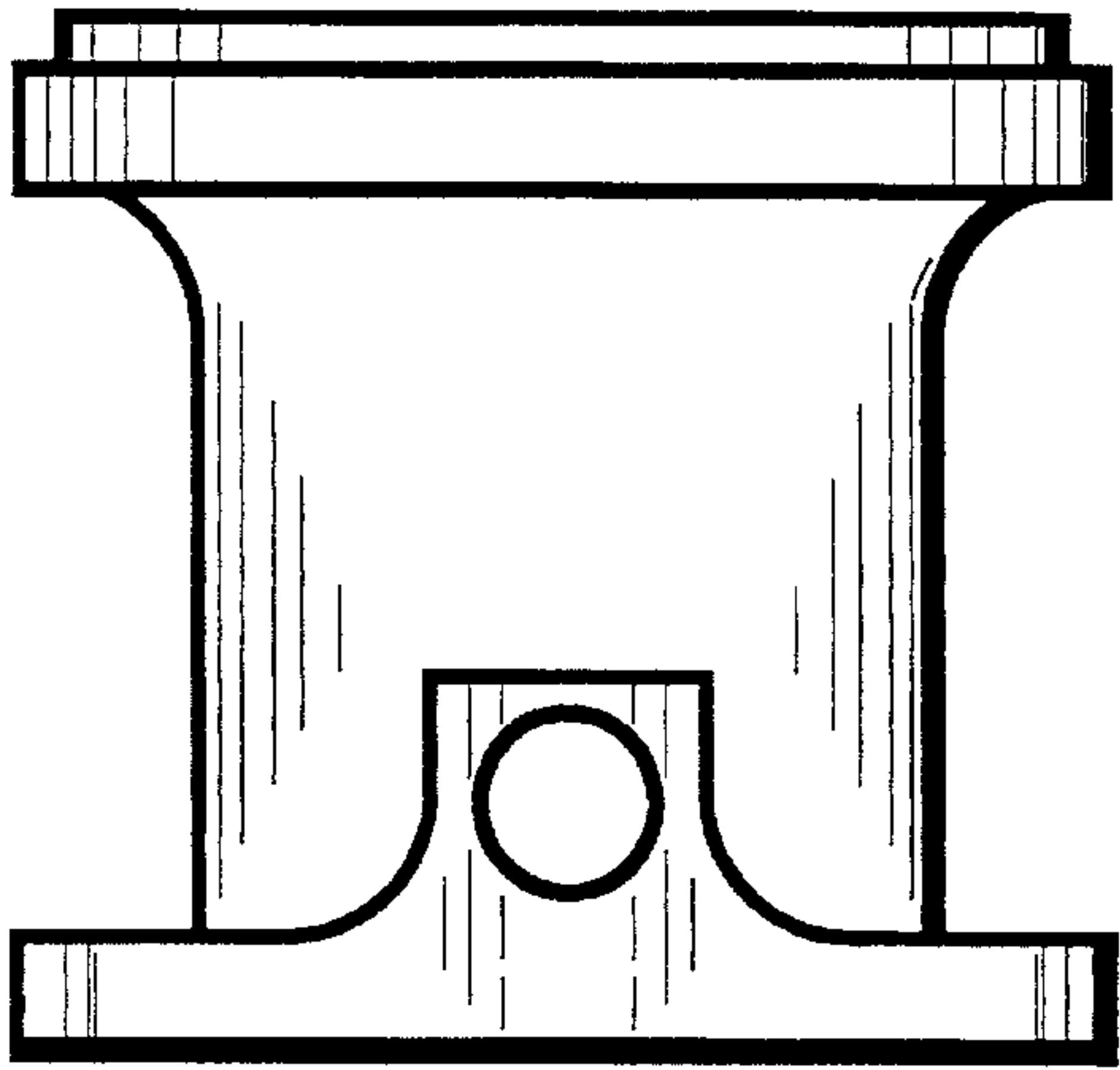


Fig. 4

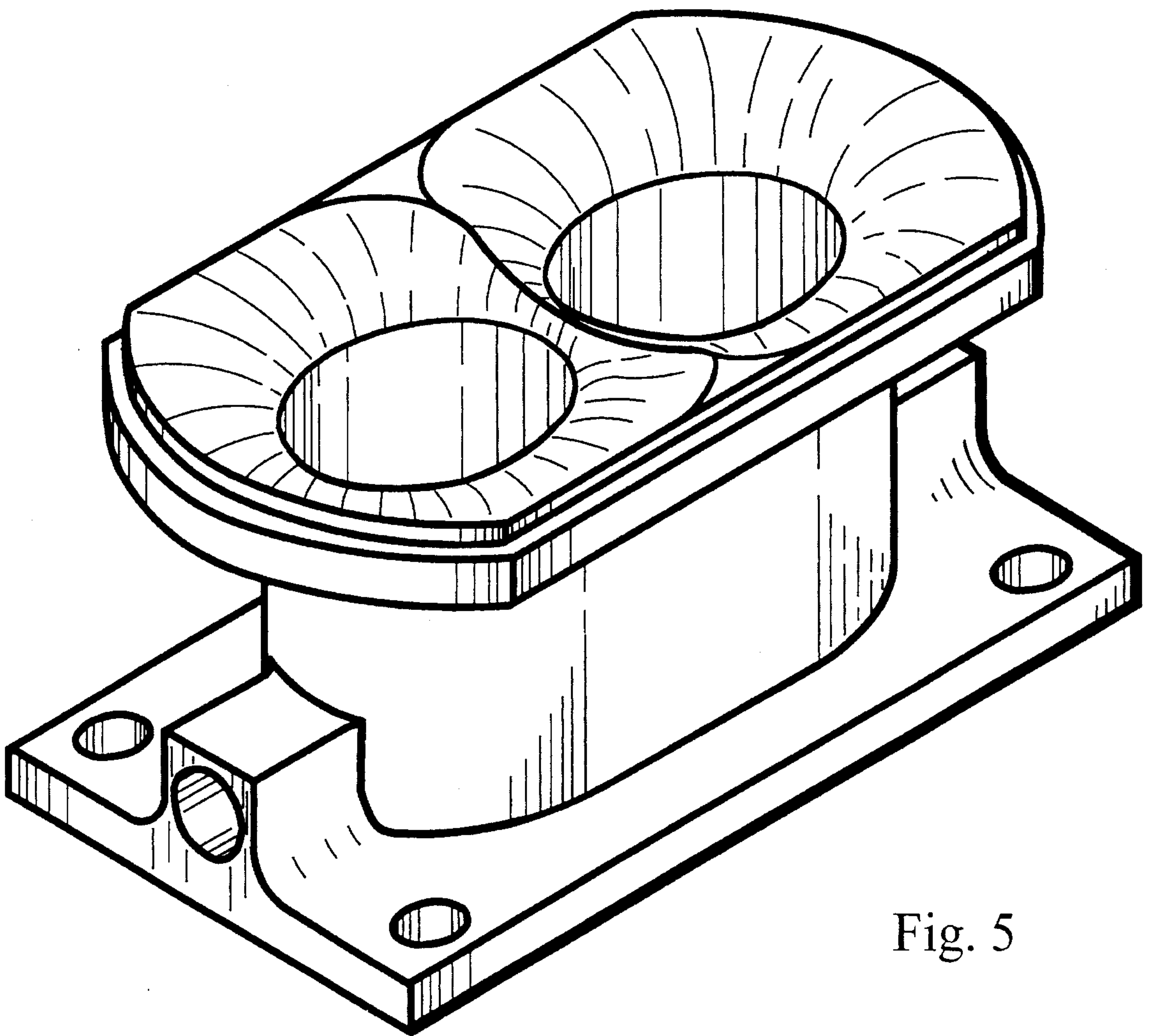


Fig. 5