



US00D375101S

# United States Patent [19]

[11] Patent Number: Des. 375,101

Icenogle

[45] Date of Patent: \*\*Oct. 29, 1996

[54] OUTBOARD MOTOR CAVATION PLATE

[57] CLAIM

[76] Inventor: Robert O. Icenogle, 1501 33rd St. SE.,  
Ruskin, Fla. 33670

The ornamental design for outboard motor cavation plate, as shown and described.

[\*\*] Term: 14 Years

### DESCRIPTION

[21] Appl. No.: 49,010

[22] Filed: Jan. 5, 1996

[52] U.S. Cl. .... D15/4; 440/66

[58] Field of Search ..... D15/4, 5, 6, 7;  
D12/214; 440/6, 7, 900, 66, 52

FIG. 1 is a perspective view of the outboard motor cavation plate of my invention;

FIG. 2 is a top plan view thereof;

FIG. 3 is a bottom view thereof;

FIG. 4 is a right side view thereof;

FIG. 5 is a left side view thereof;

FIG. 6 is a front end view thereof;

FIG. 7 is a rear end view thereof;

FIG. 8 is a perspective view of a second embodiment thereof;

FIG. 9 is a top plan view thereof;

FIG. 10 is a bottom view thereof;

FIG. 11 is a right side view thereof;

FIG. 12 is a left side view thereof;

FIG. 13 is a front end view thereof; and,

FIG. 14 is a rear end view thereof.

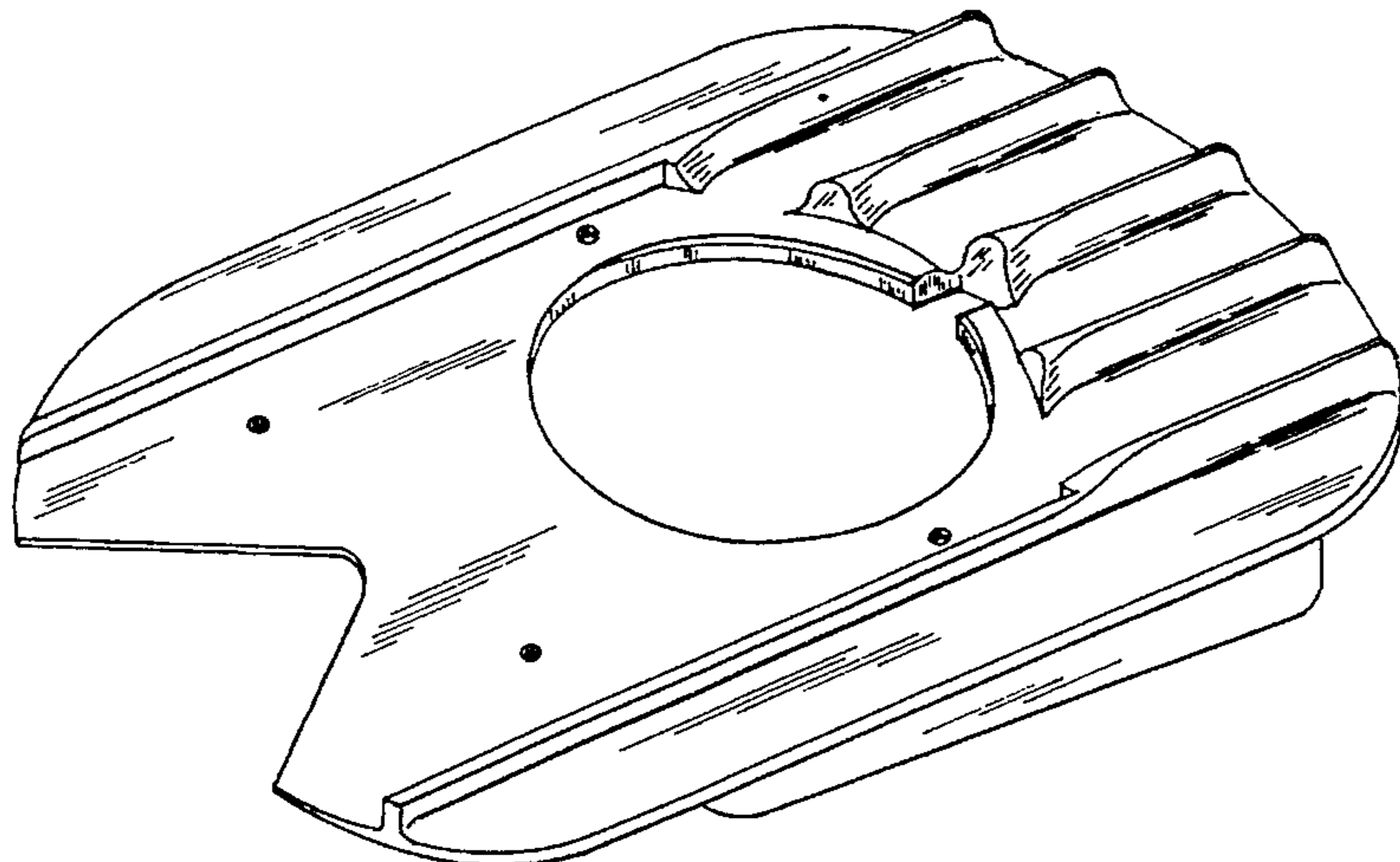
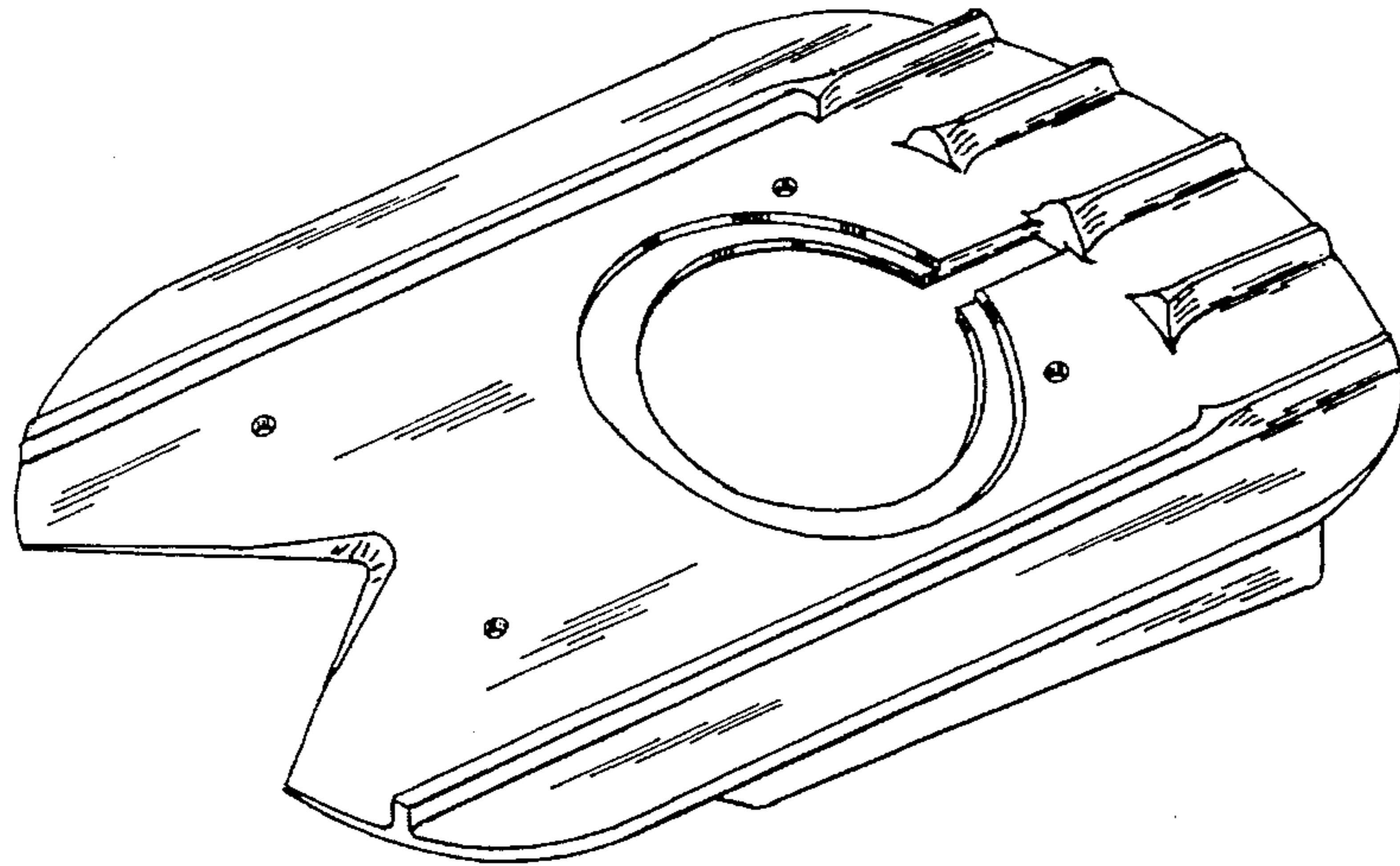
### [56] References Cited

#### U.S. PATENT DOCUMENTS

D. 263,301	3/1982	McEvoy	.....	D15/4
4,995,839	2/1991	Havins	.....	440/6
5,007,869	4/1991	Zoellner	.....	440/900
5,046,975	9/1991	Buzzi	.....	440/66
5,224,889	7/1993	Hickey	.....	D12/214

Primary Examiner—Louis S. Zarfes  
Assistant Examiner—Frank Martinez  
Attorney, Agent, or Firm—Donald R. Bahr

1 Claim, 4 Drawing Sheets



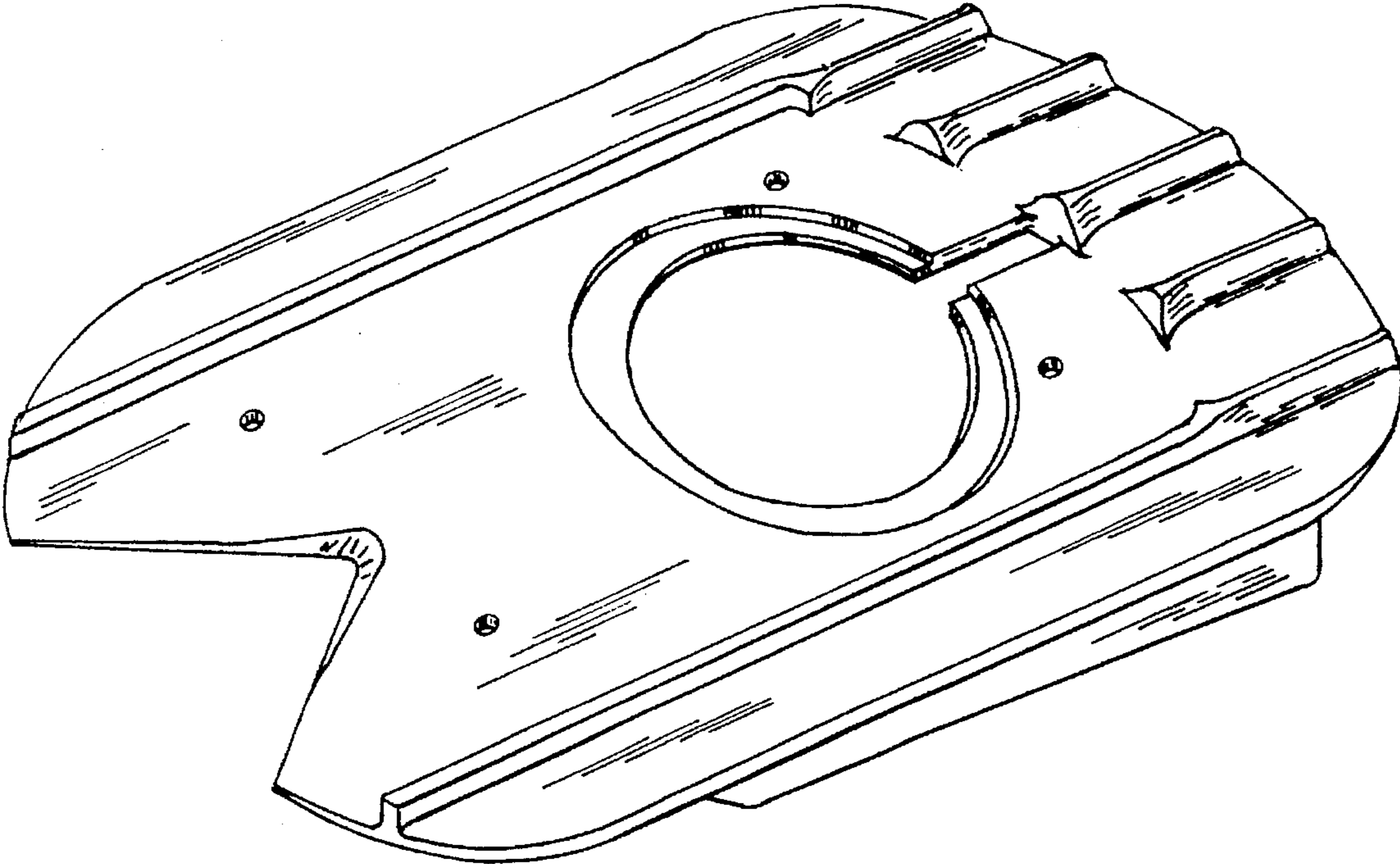


FIG. 1

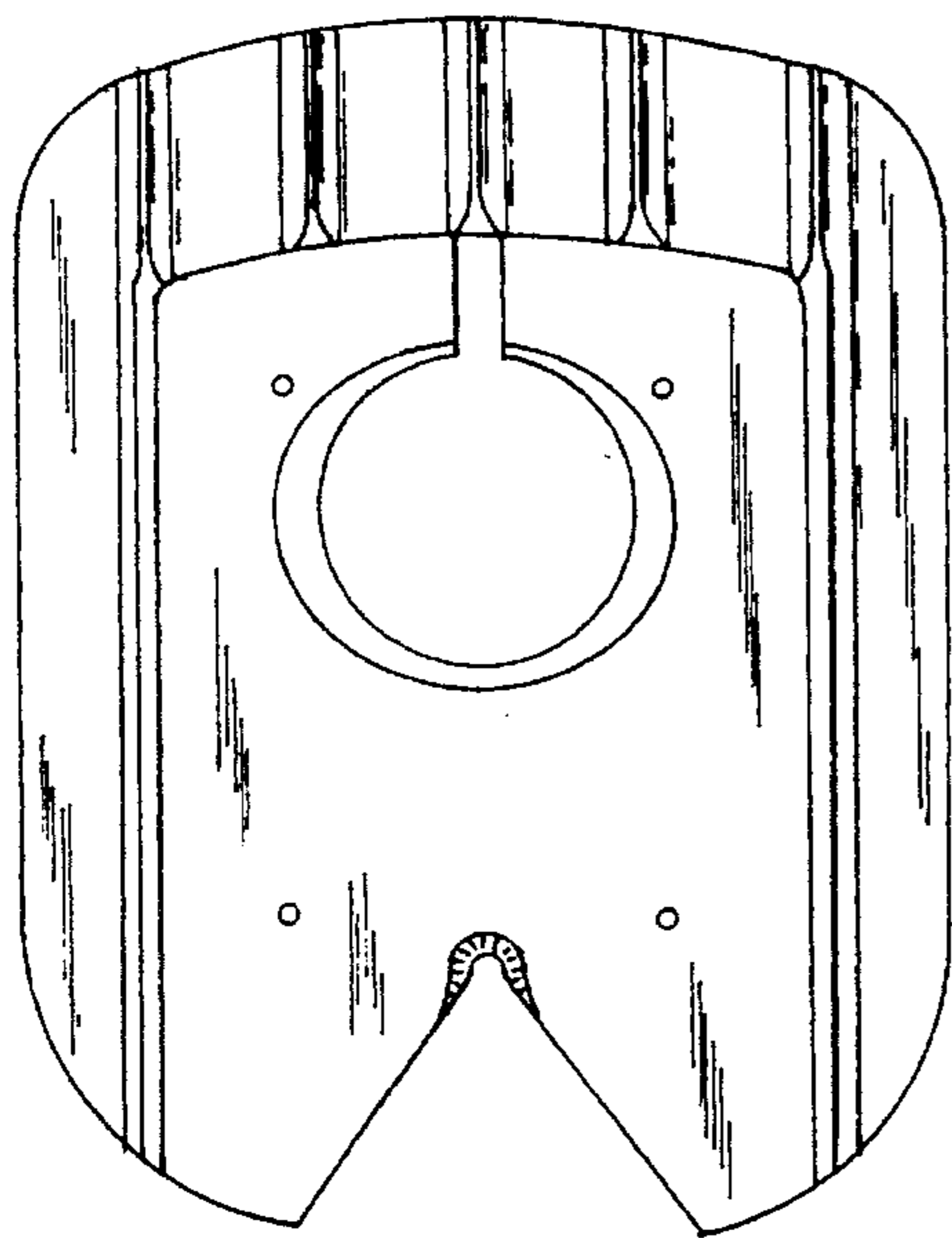


FIG. 2

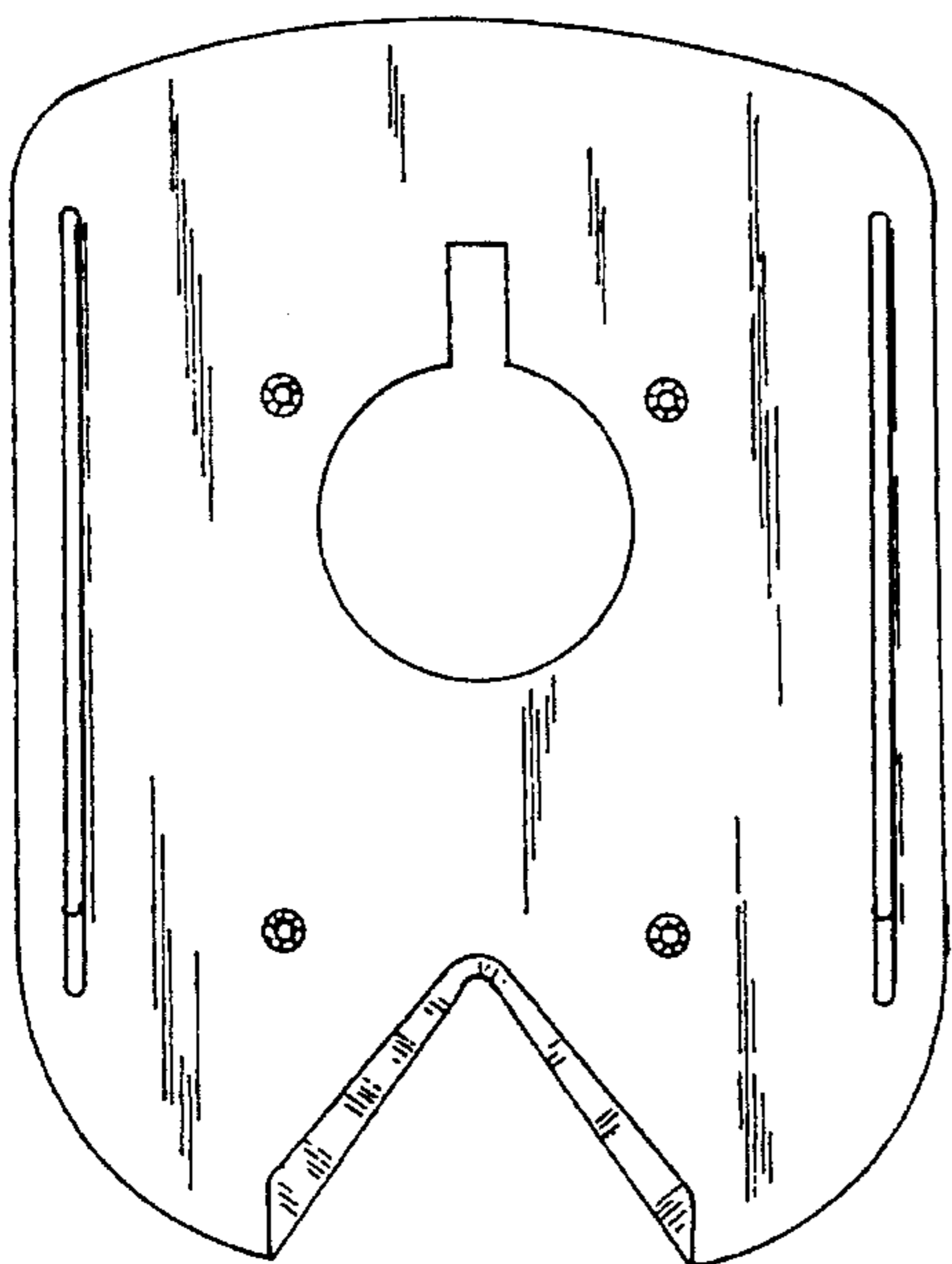


FIG. 3

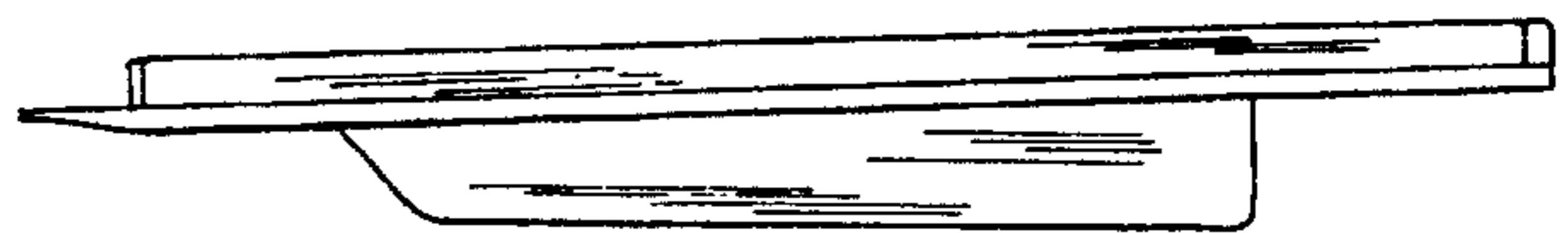


FIG. 4

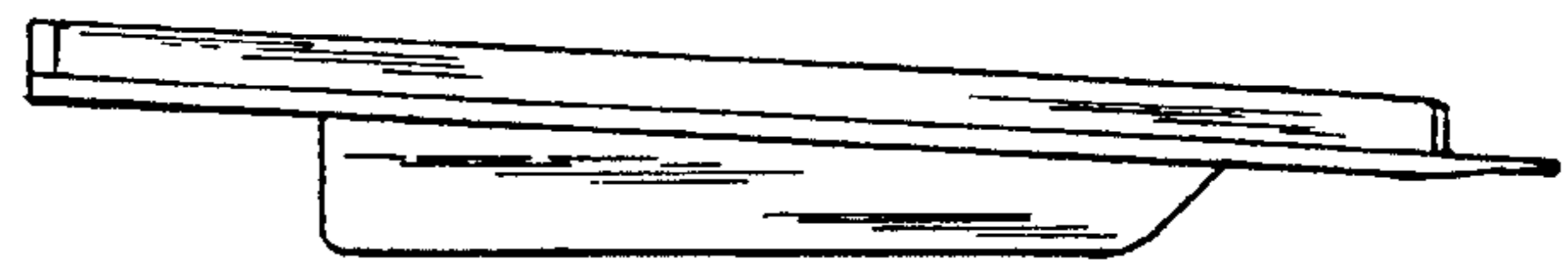


FIG. 5



FIG. 6



FIG. 7

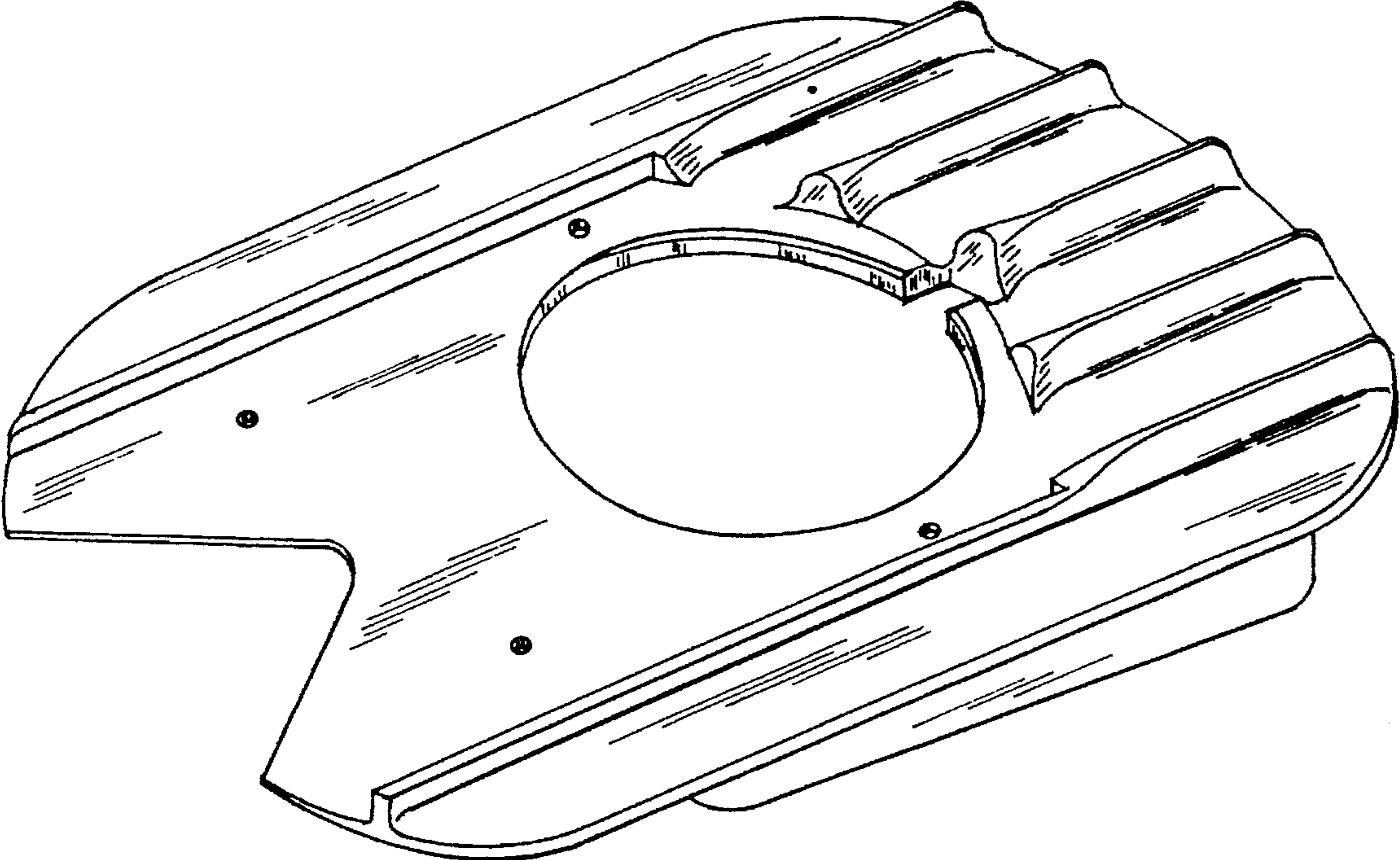


FIG. 8

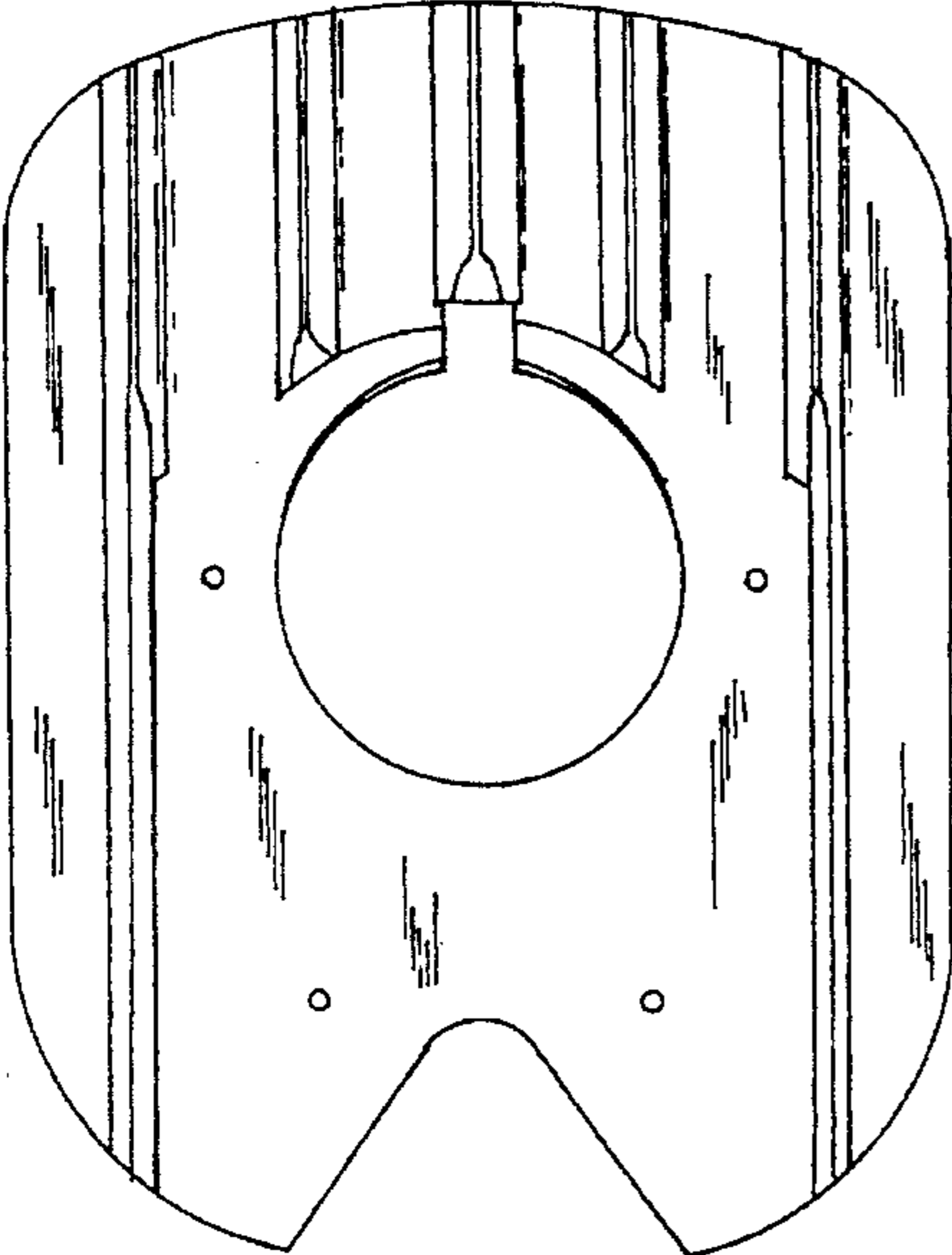


FIG. 9

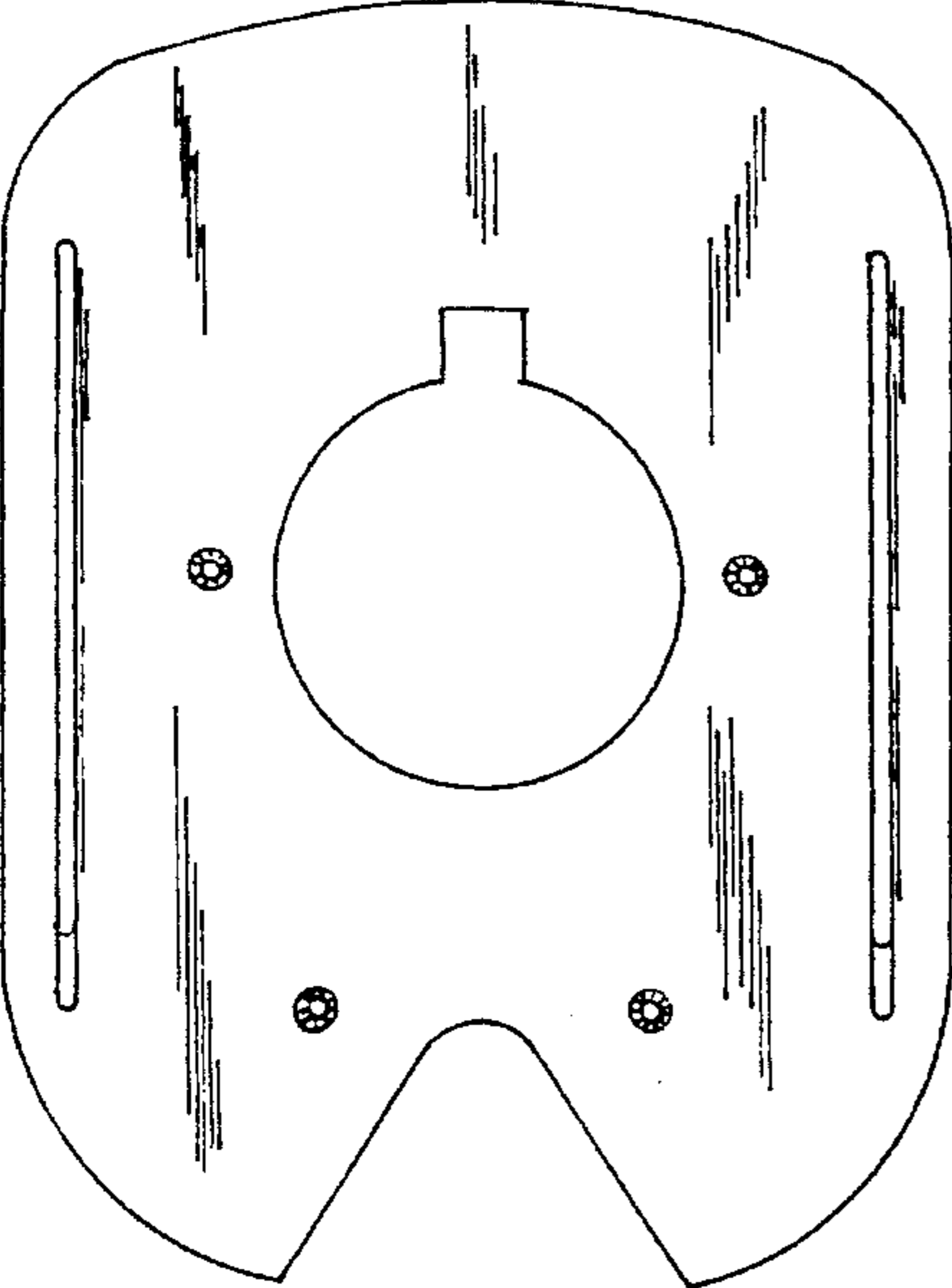


FIG. 10

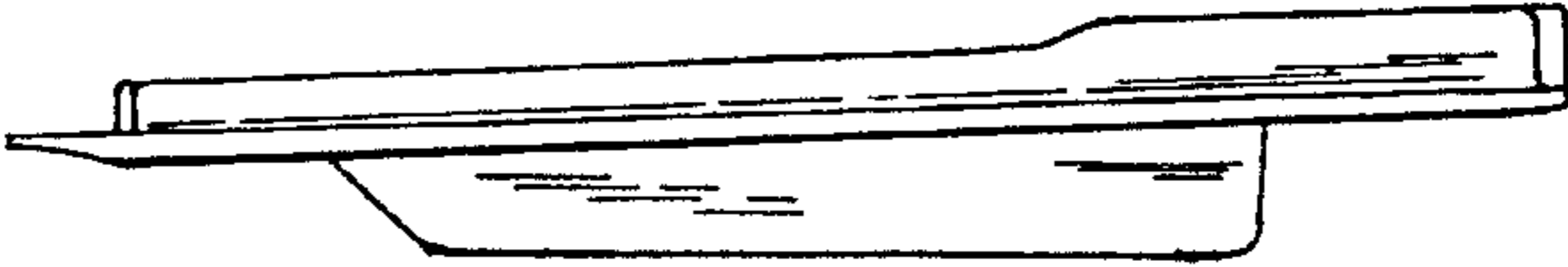


FIG. 11

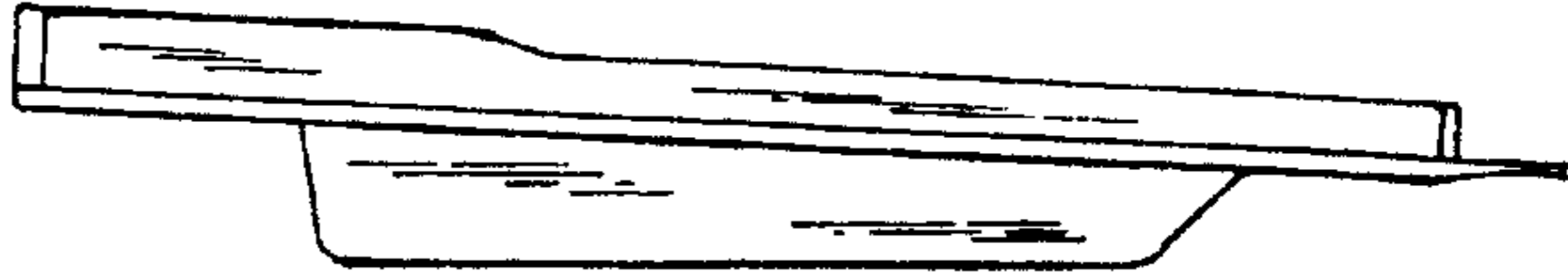


FIG. 12



FIG. 13



FIG. 14