



US00D375090S

United States Patent [19]

[11] Patent Number: **Des. 375,090**

Lambert et al.

[45] Date of Patent: ****Oct. 29, 1996**

[54] **VIDEO SOUND ADAPTOR**

[75] Inventors: **Brooks H. Lambert; Michael W. Haff; Donald E. Angel**, all of San Jose, Calif.

[73] Assignee: **Enhance Cable Technology**, San Jose, Calif.

[**] Term: **14 Years**

[21] Appl. No.: **50,246**

[22] Filed: **Feb. 12, 1996**

[52] U.S. Cl. **D14/121**

[58] Field of Search D14/120, 121, D14/124, 114, 217, 263; D21/48, 13; 273/148 B; 463/44, 45; 242/336, 348; 360/132, 133

[56] **References Cited**

U.S. PATENT DOCUMENTS

D. 276,911	12/1984	Schmidt	D14/121
D. 340,047	10/1993	Tseng	D14/121
D. 340,048	10/1993	Tseng	D14/121
D. 347,663	6/1994	Ho	D21/48

4,156,928	5/1979	Inose et al.	463/44
5,026,051	6/1991	Lowe et al.	463/44 X
5,112,051	5/1992	Darling et al.	463/45
5,282,621	2/1994	Tseng	463/45
5,395,112	3/1995	Darling	463/45

Primary Examiner—Prabhakar G. Deshmukh
Attorney, Agent, or Firm—Harris Zimmerman

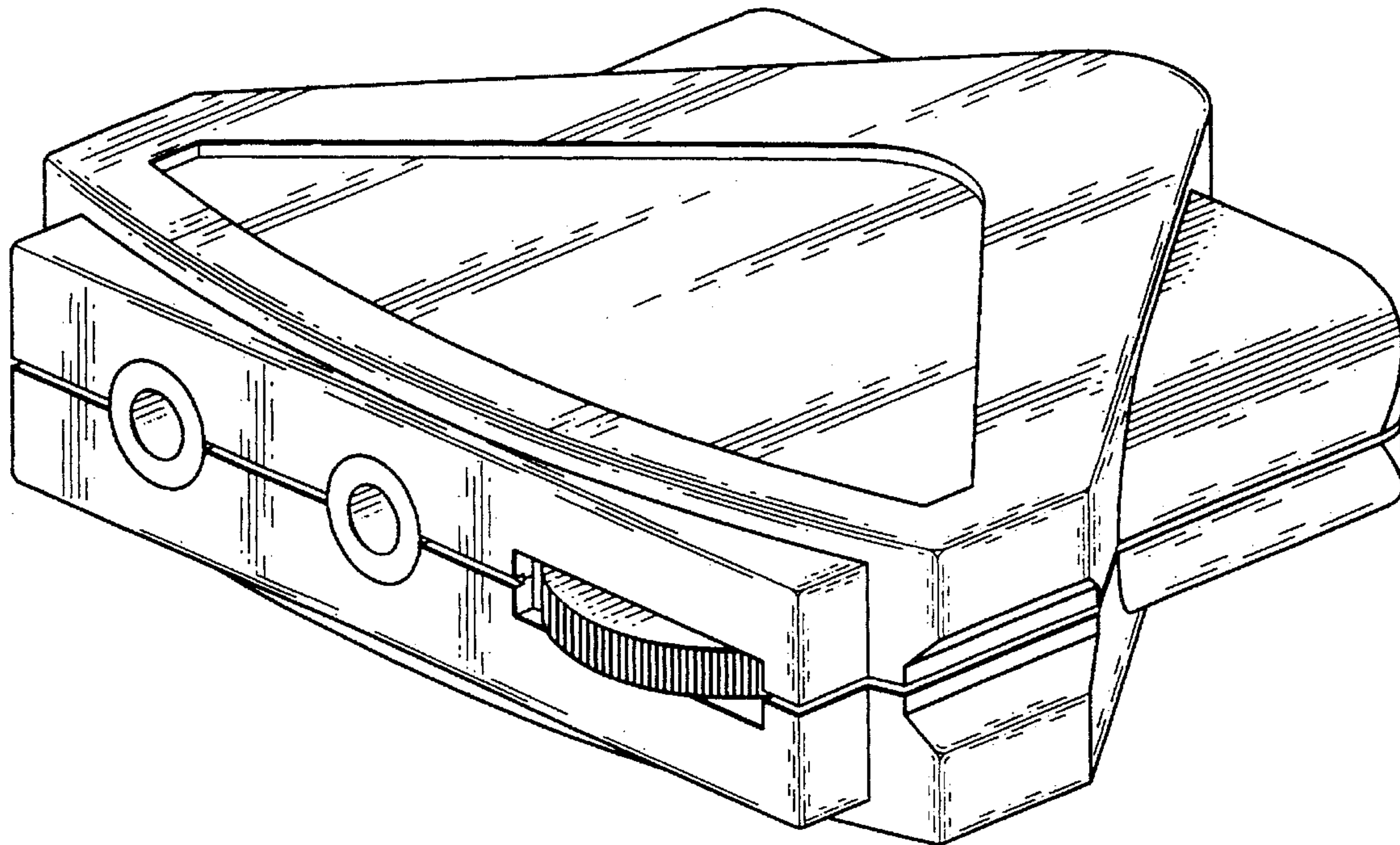
[57] **CLAIM**

The ornamental design for a video sound adaptor, as shown and described.

DESCRIPTION

FIG. 1 is a front perspective view of a video sound adaptor showing our new design;
FIG. 2 is a top plan view;
FIG. 3 is a front elevation view;
FIG. 4 is a left side view;
FIG. 5 is a right side view;
FIG. 6 is a bottom plan view; and,
FIG. 7 is a rear elevation view.

1 Claim, 2 Drawing Sheets



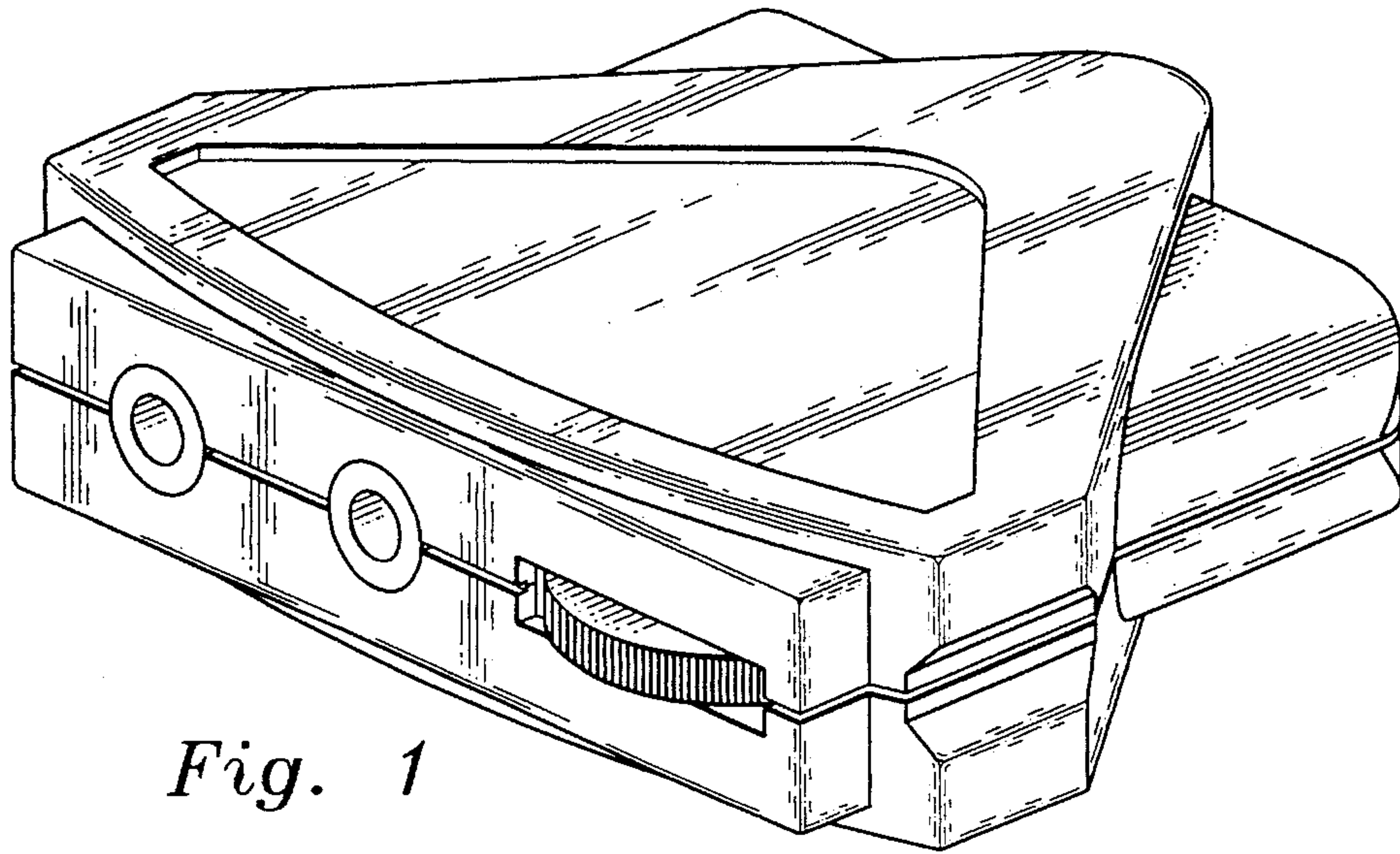


Fig. 1

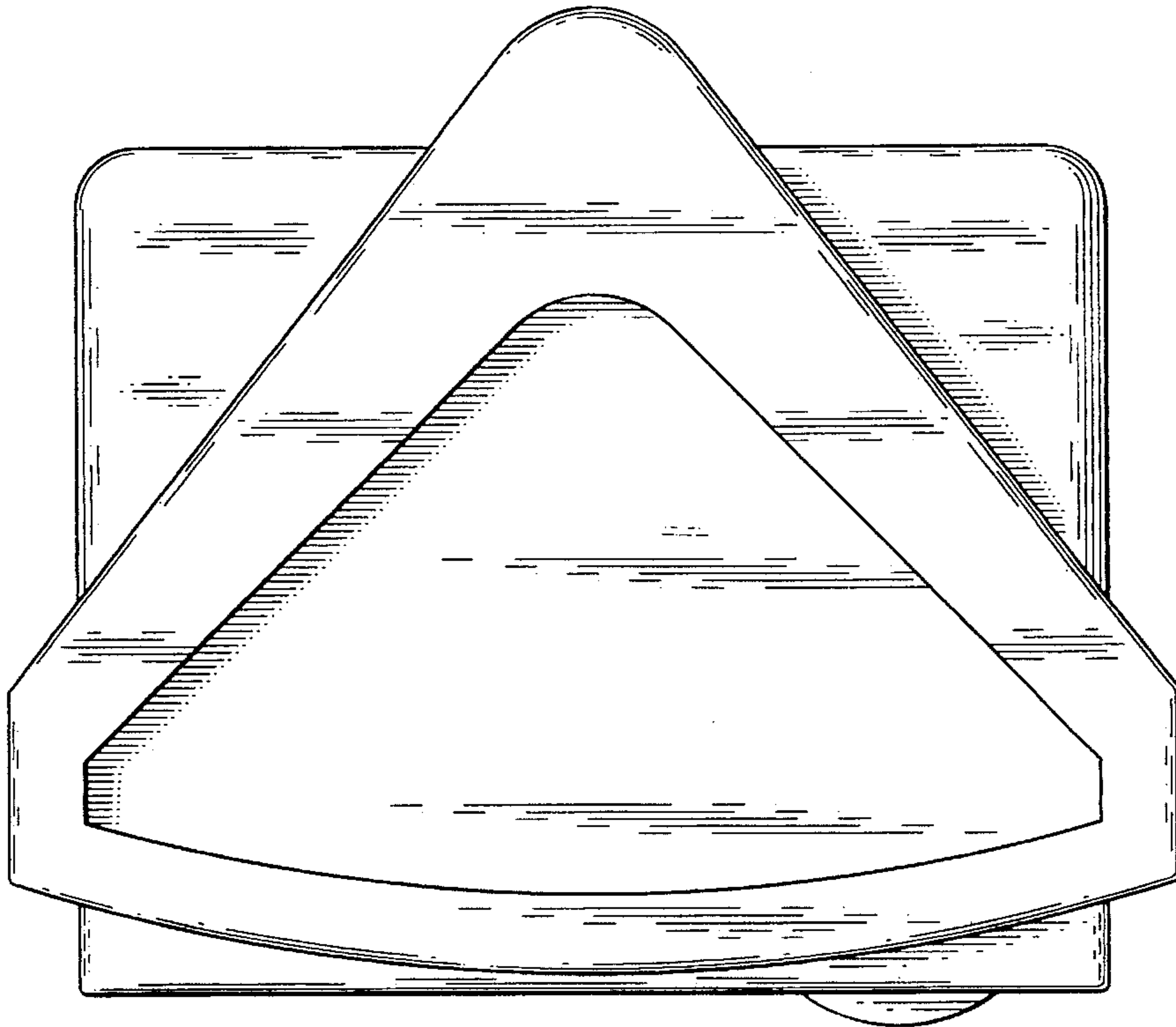


Fig. 2

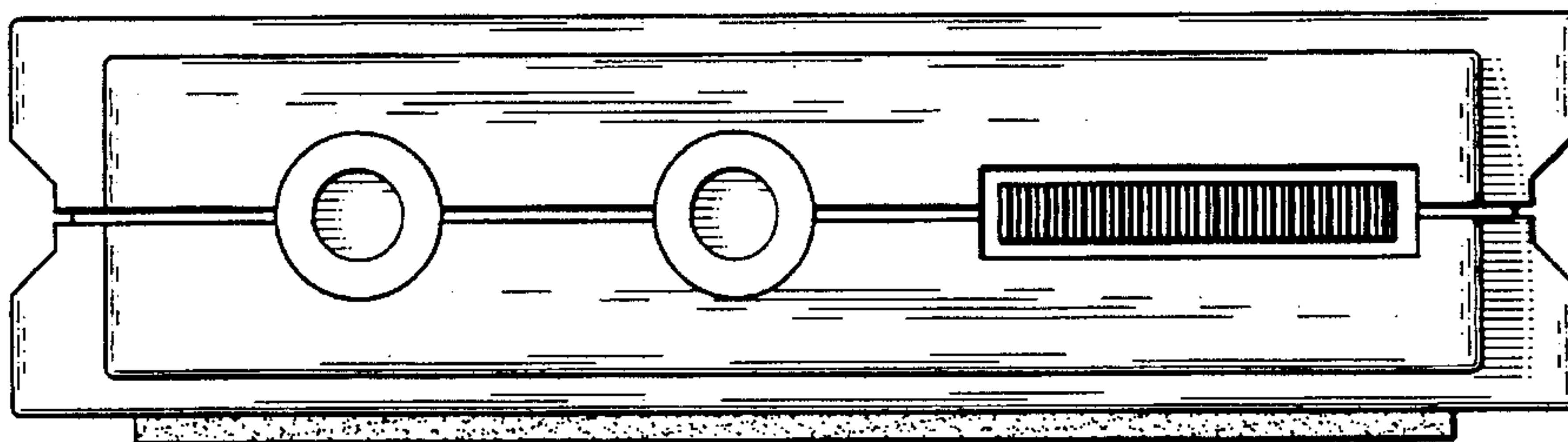


Fig. 3

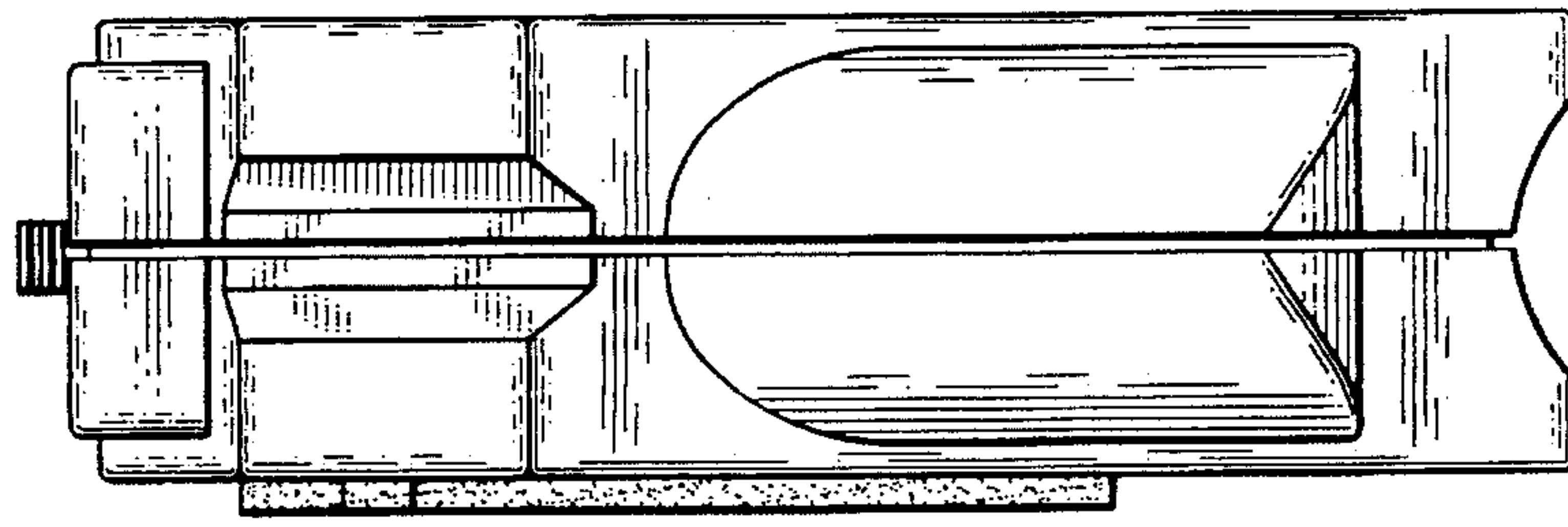


Fig. 4

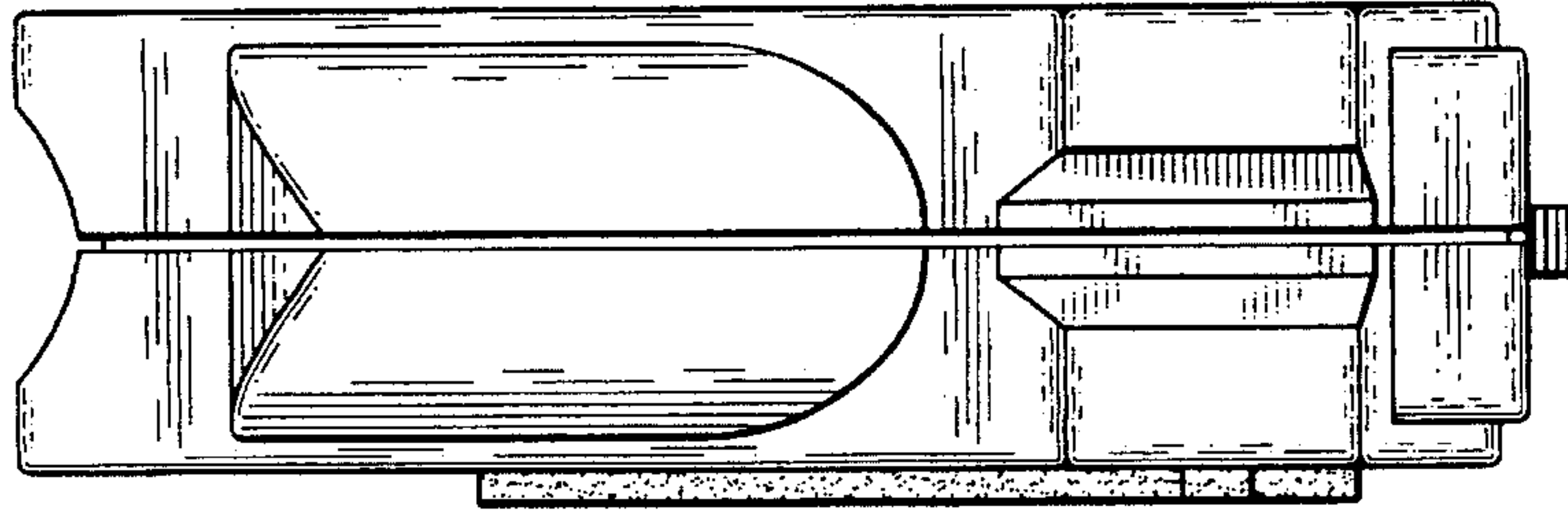


Fig. 5

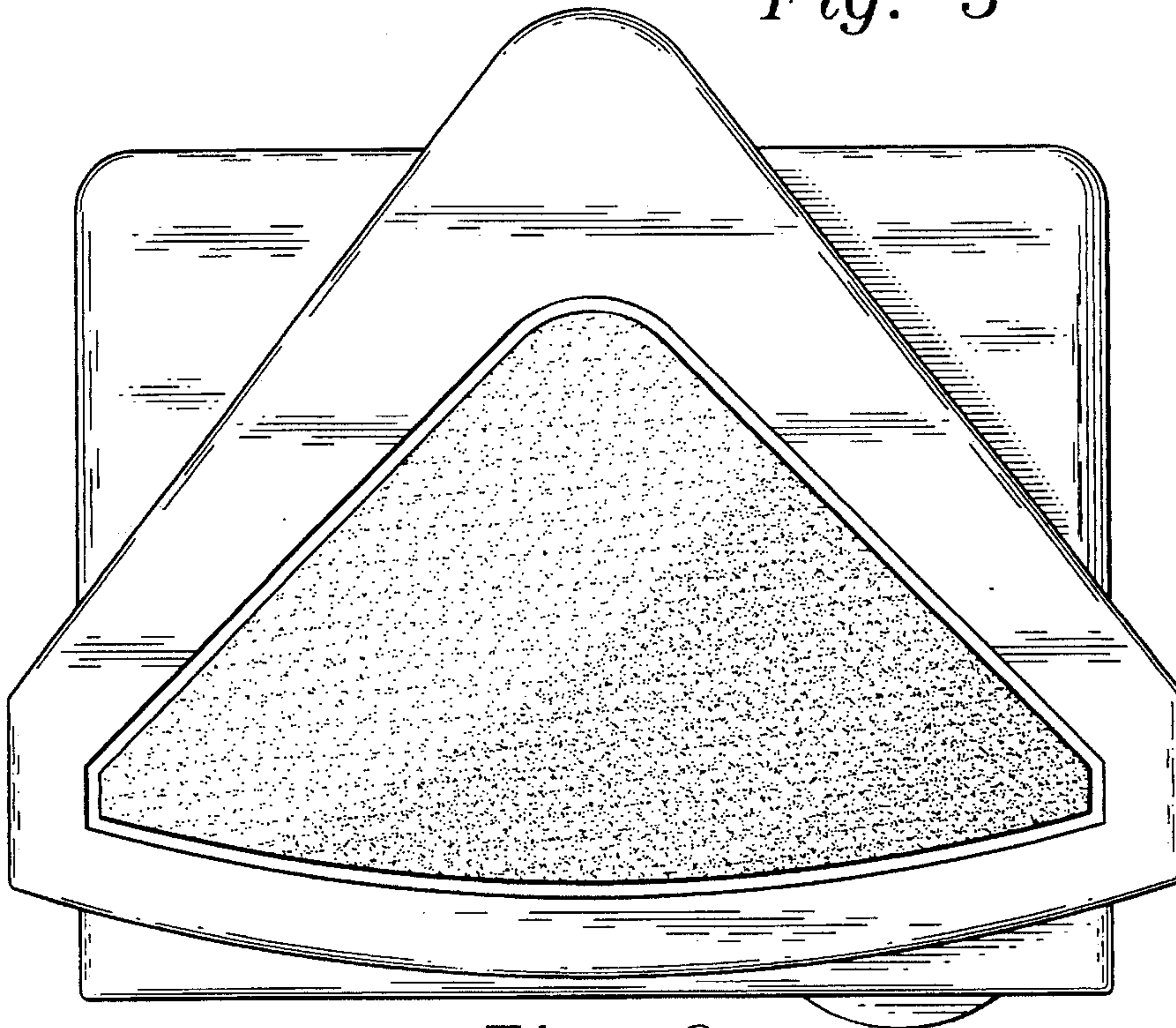


Fig. 6

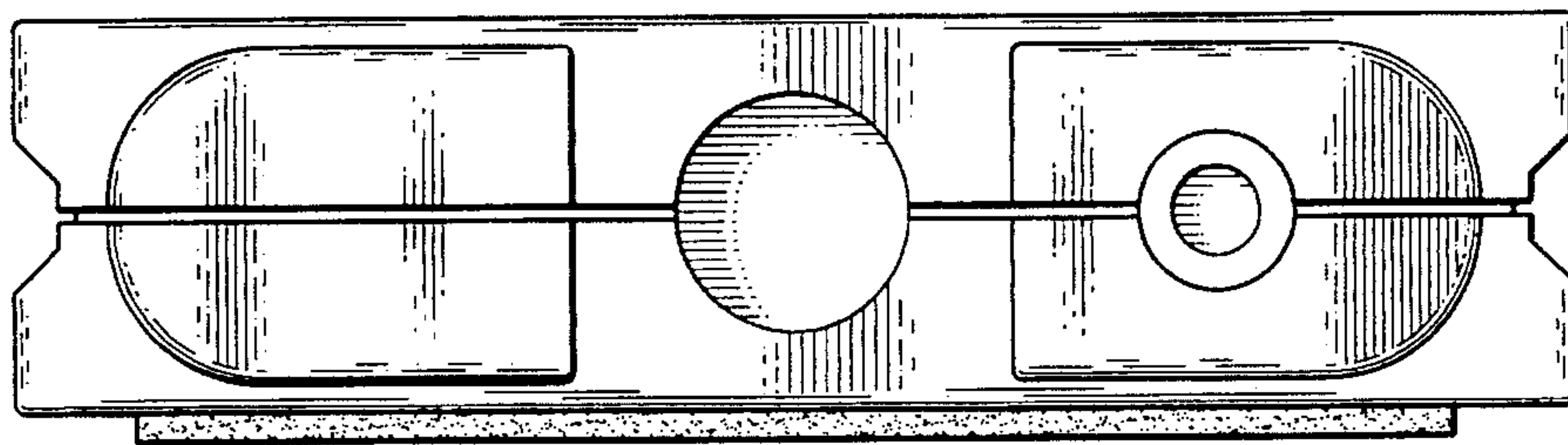


Fig. 7