



US00D375083S

# United States Patent [19]

[11] Patent Number: **Des. 375,083**

**Nakamura**

[45] Date of Patent: **\*\*Oct. 29, 1996**

[54] **INSULATING COVER FOR A TERMINAL**

[57] **CLAIM**

[75] Inventor: **Toshinobu Nakamura**, Tokyo, Japan

The ornamental design for insulating cover for a terminal, as shown and described.

[73] Assignee: **Shinagawa Shoko Co., Ltd.**, Tokyo, Japan

### DESCRIPTION

[\*\*] Term: **14 Years**

FIG. 1 is a perspective view of insulating cover for a terminal embodying the present design;  
 FIG. 2 is a front elevational view thereof;  
 FIG. 3 is a top plan view thereof;  
 FIG. 4 is a bottom plan view thereof;  
 FIG. 5 is a left side elevational view thereof;  
 FIG. 6 is a right side elevational view thereof;  
 FIG. 7 is a perspective view thereof when used; with the fitting portions closed;  
 FIG. 8 is a front elevational view thereof when used; with the fitting portions closed;  
 FIG. 9 is a top plan view thereof when used; with the fitting portions closed;  
 FIG. 10 is a bottom plan view thereof when used; with the fitting portions closed;  
 FIG. 11 is a left side elevational view thereof when used; with the fitting portions closed; and,  
 FIG. 12 is a right side elevational view thereof when used; with the fitting portions closed.

[21] Appl. No.: **47,682**

[22] Filed: **Dec. 11, 1995**

[52] U.S. Cl. .... **D13/156**

[58] Field of Search ..... D13/156; 174/138 F; 439/687, 696, 731

### [56] References Cited

#### U.S. PATENT DOCUMENTS

4,682,838	7/1987	Achnig et al. ....	439/696 X
4,698,459	10/1987	Drake .....	174/138 F
4,759,723	7/1988	Siemon .....	439/687 X
4,795,857	1/1989	McInnis .....	174/138 F
5,001,300	3/1991	Messelhi .....	439/731 X

Primary Examiner—Joel Sincavage  
Attorney, Agent, or Firm—Banner & Allegretti, Ltd.

**1 Claim, 4 Drawing Sheets**

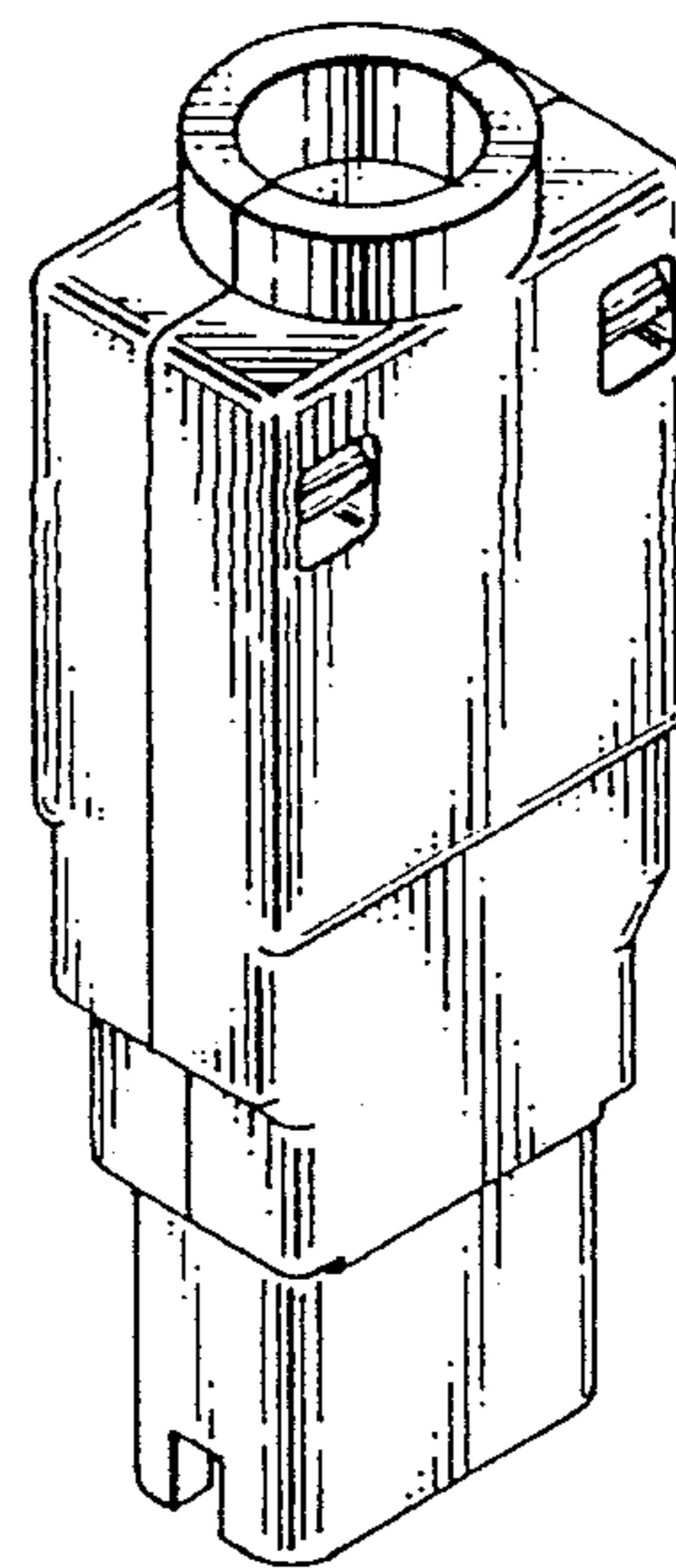
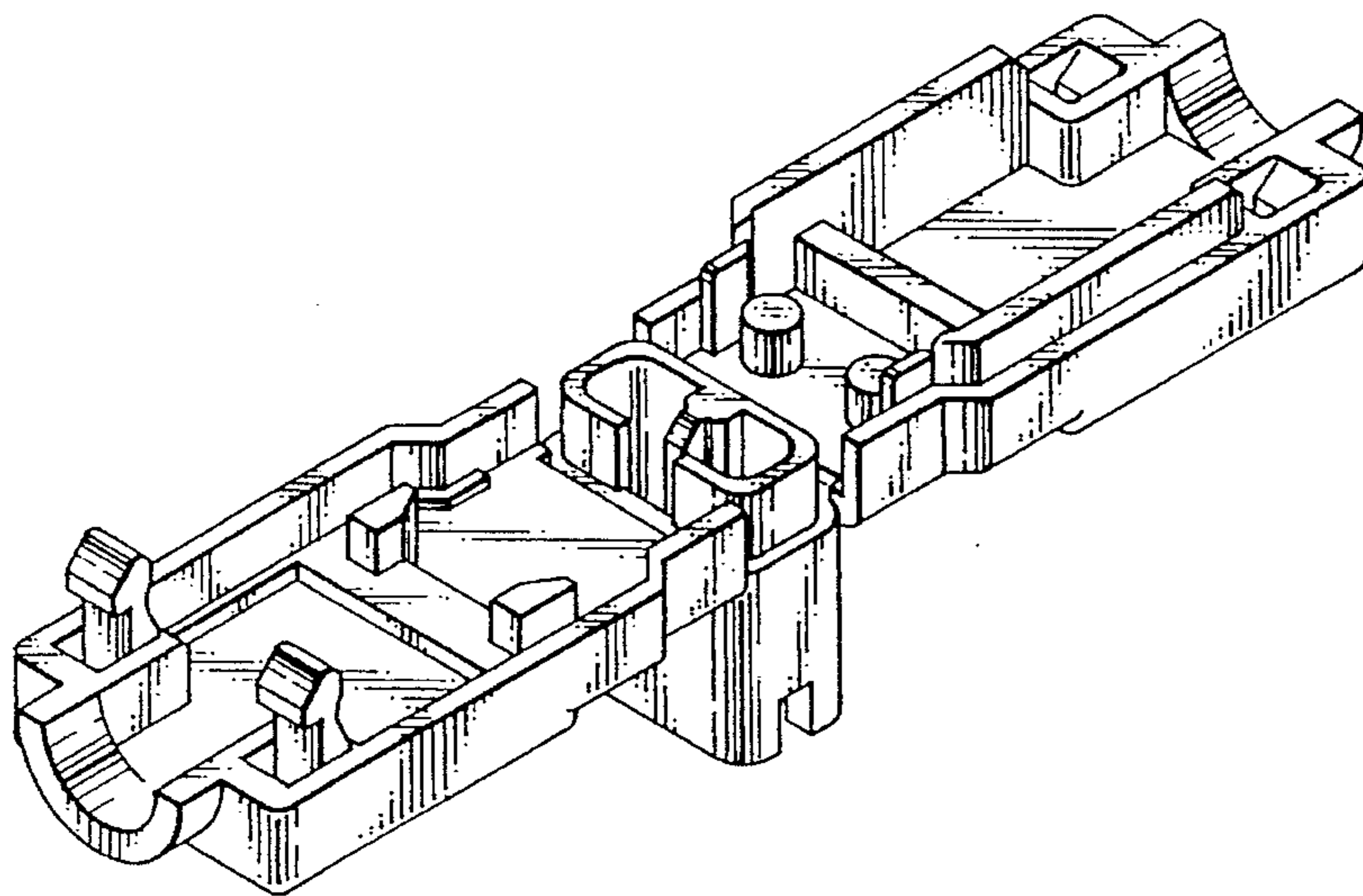


FIG. 1

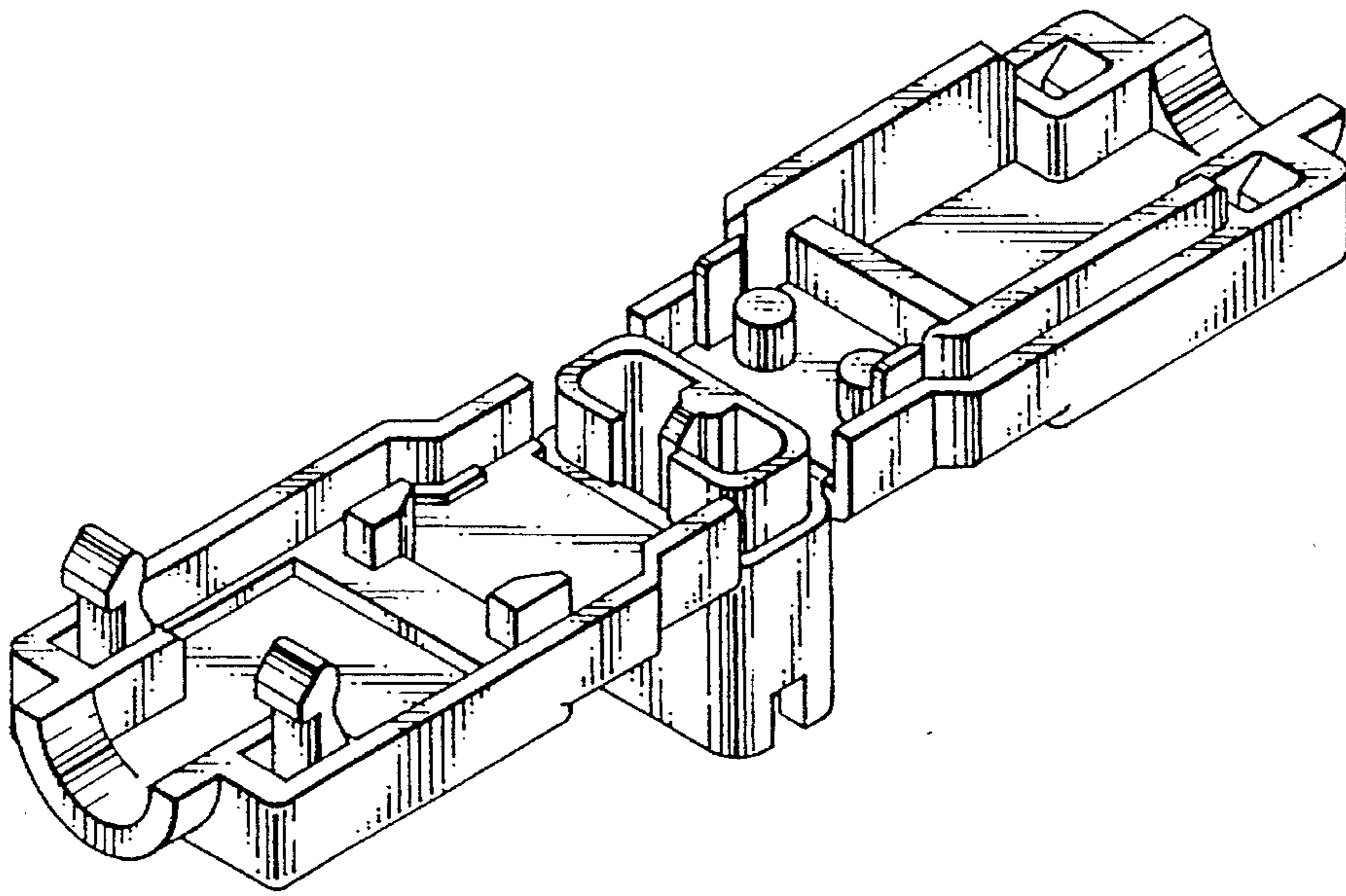


FIG. 2

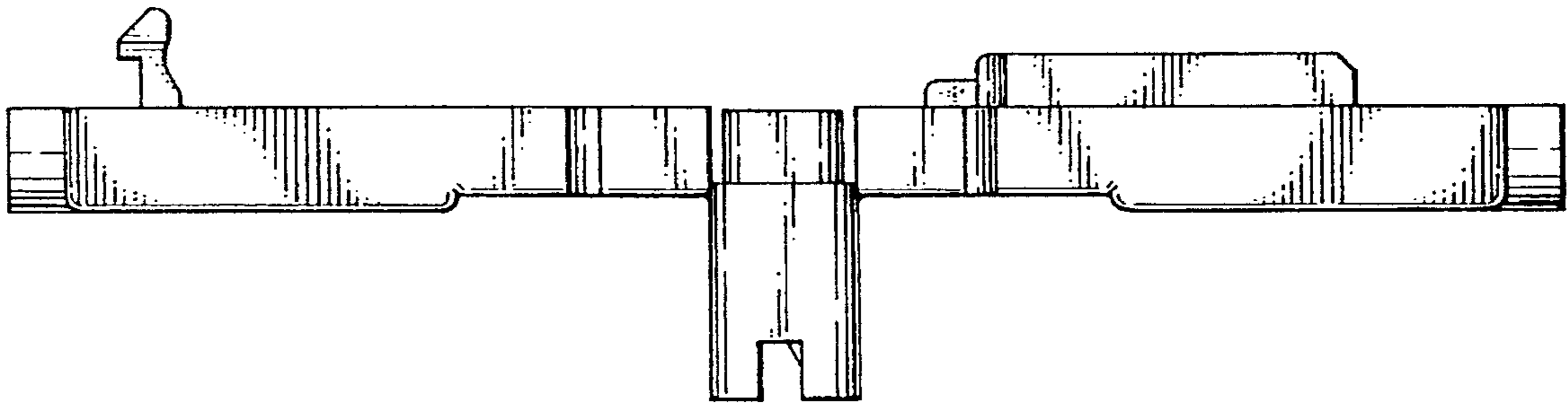


FIG. 3

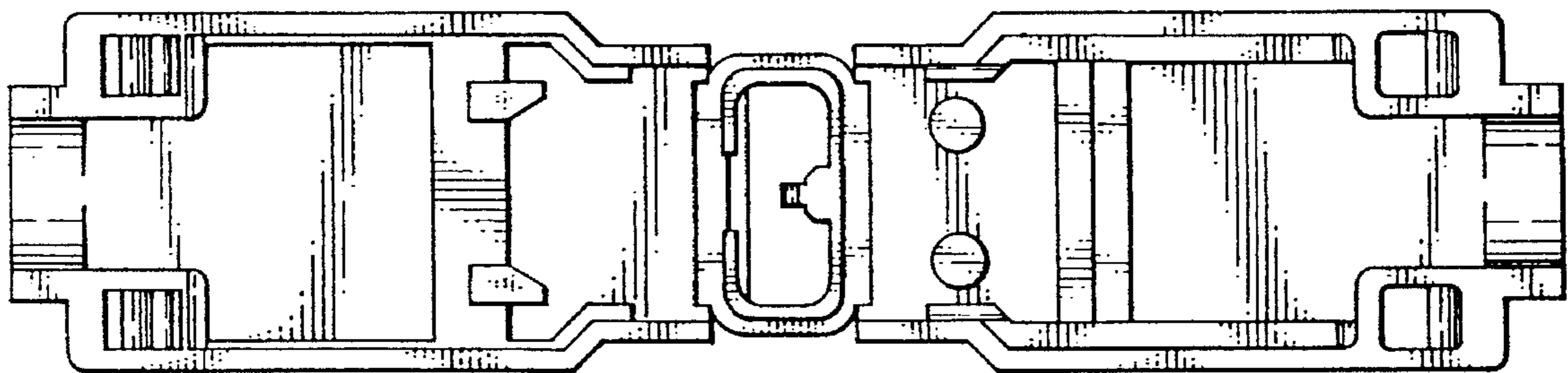


FIG. 4

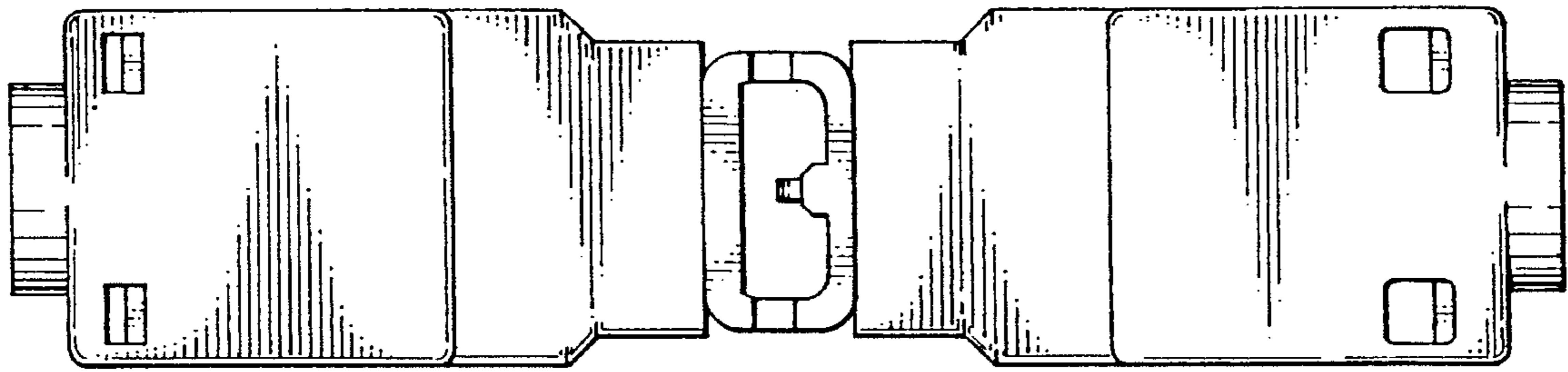


FIG. 5

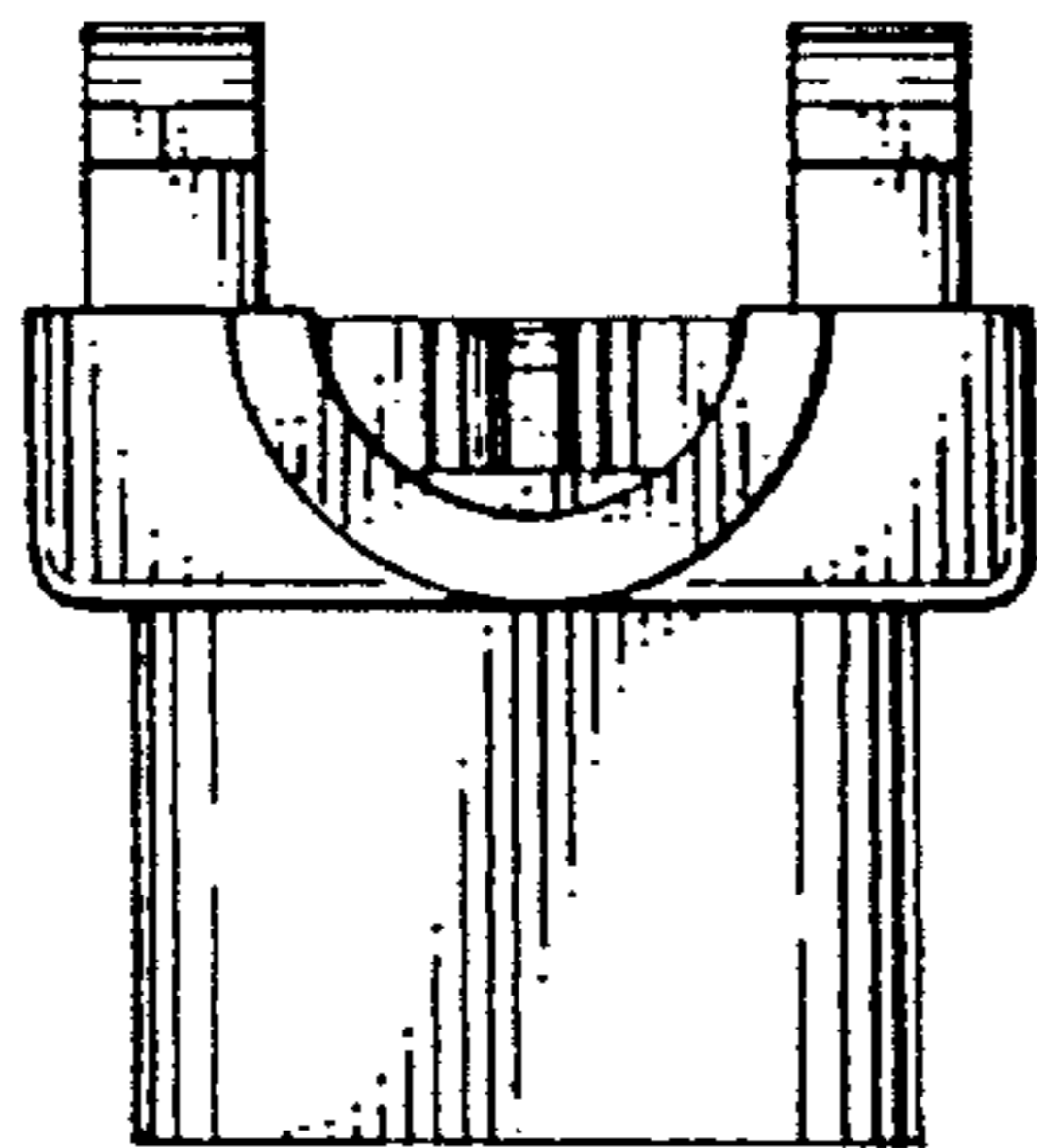


FIG. 6

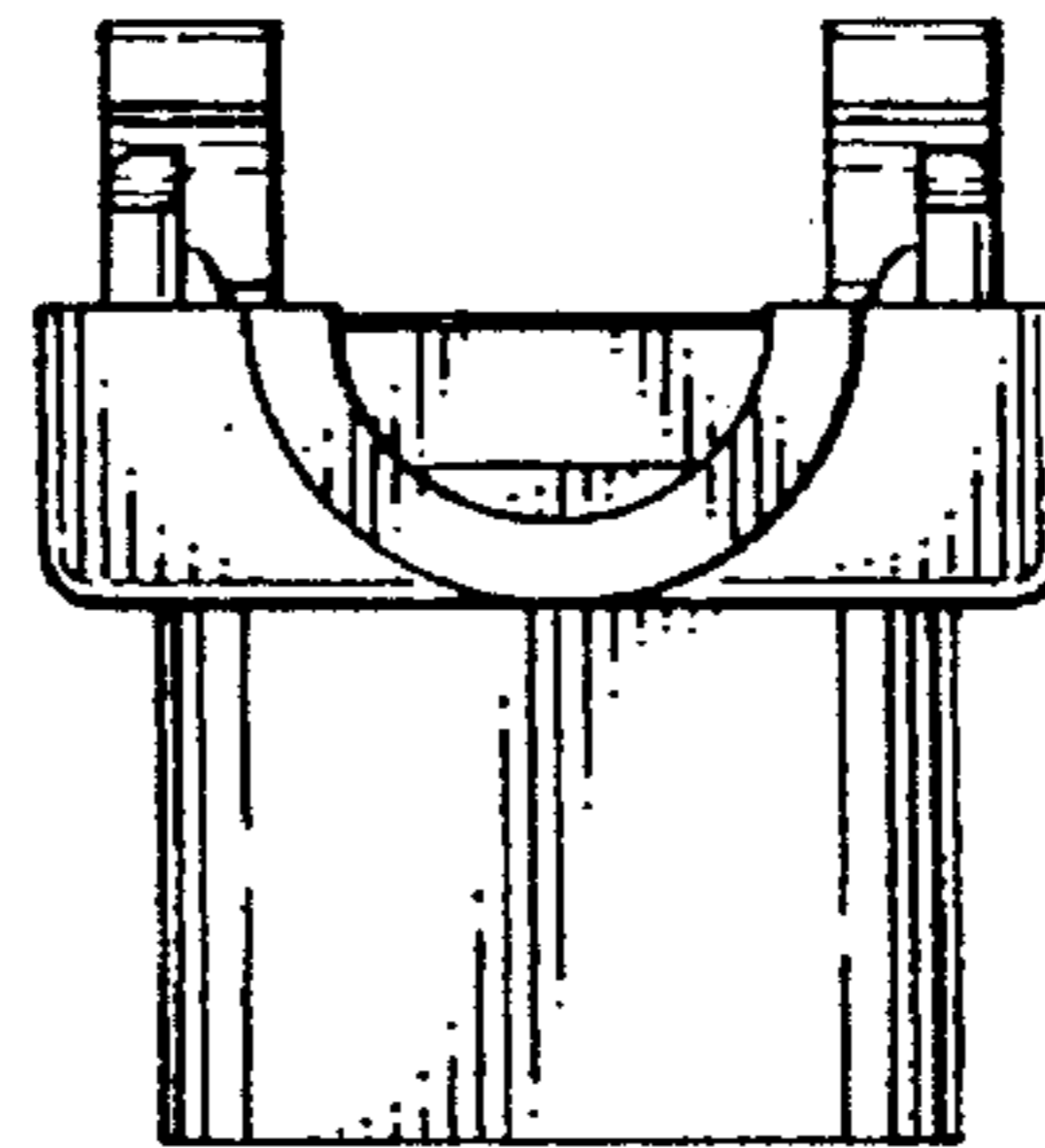


FIG. 7

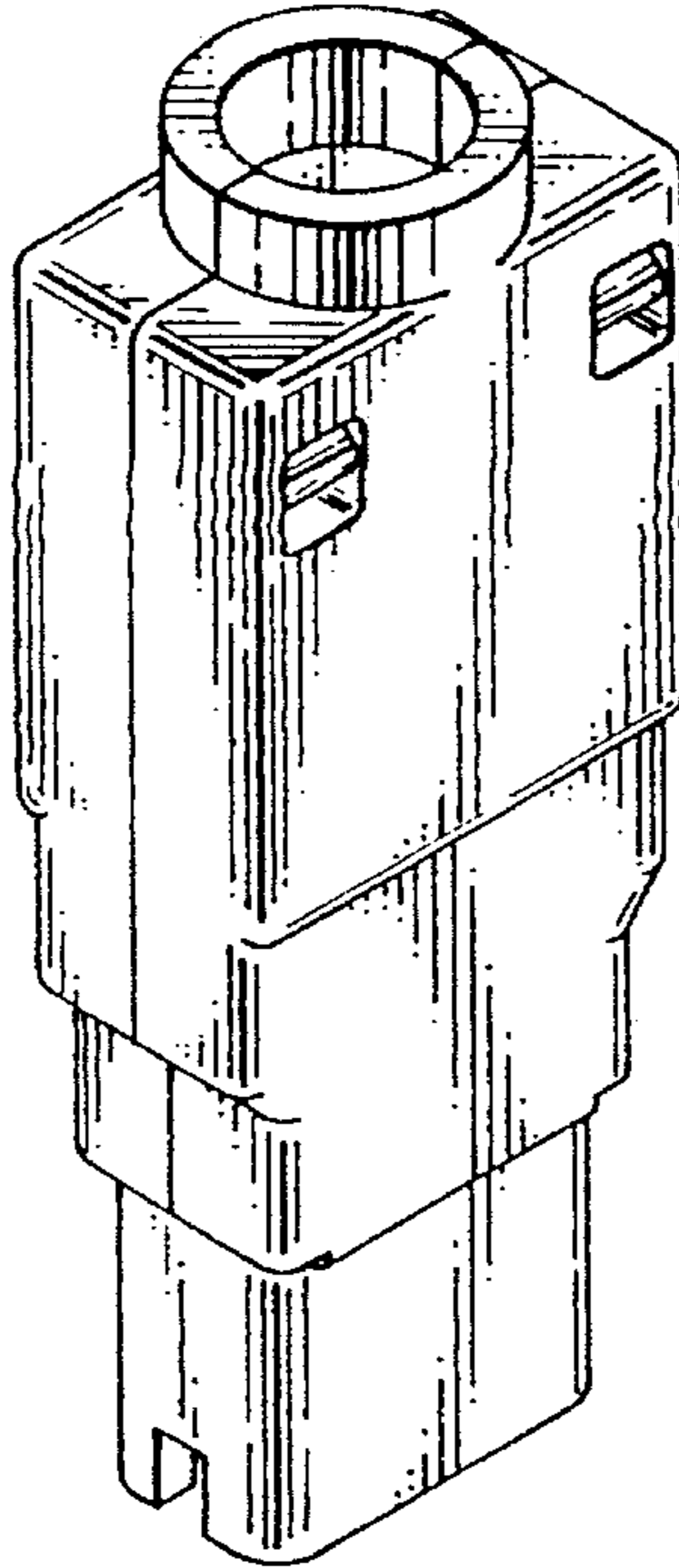


FIG. 8

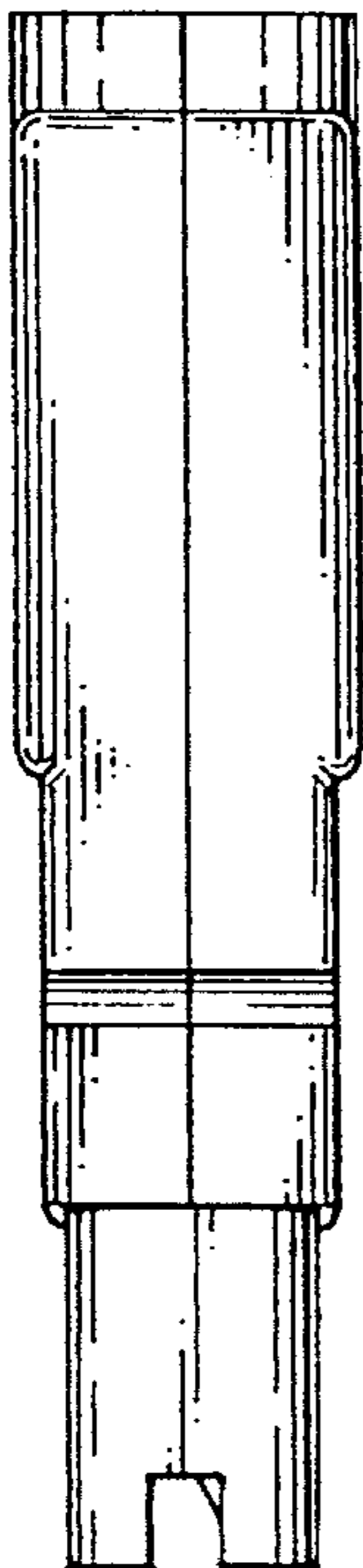


FIG. 9

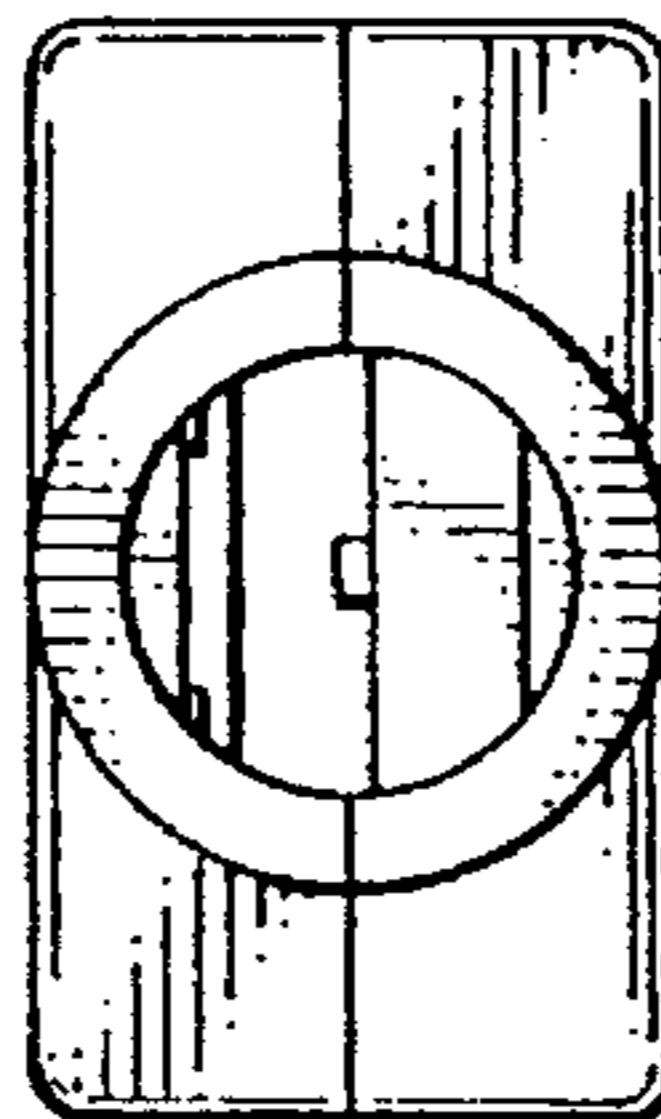


FIG. 10

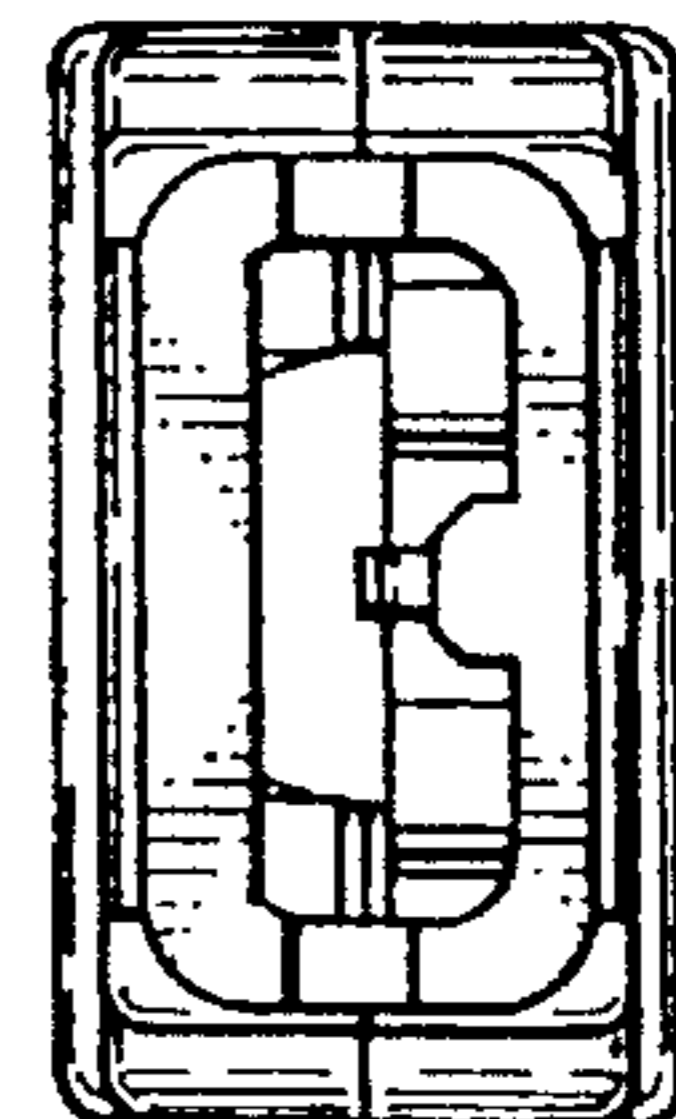


FIG. 11

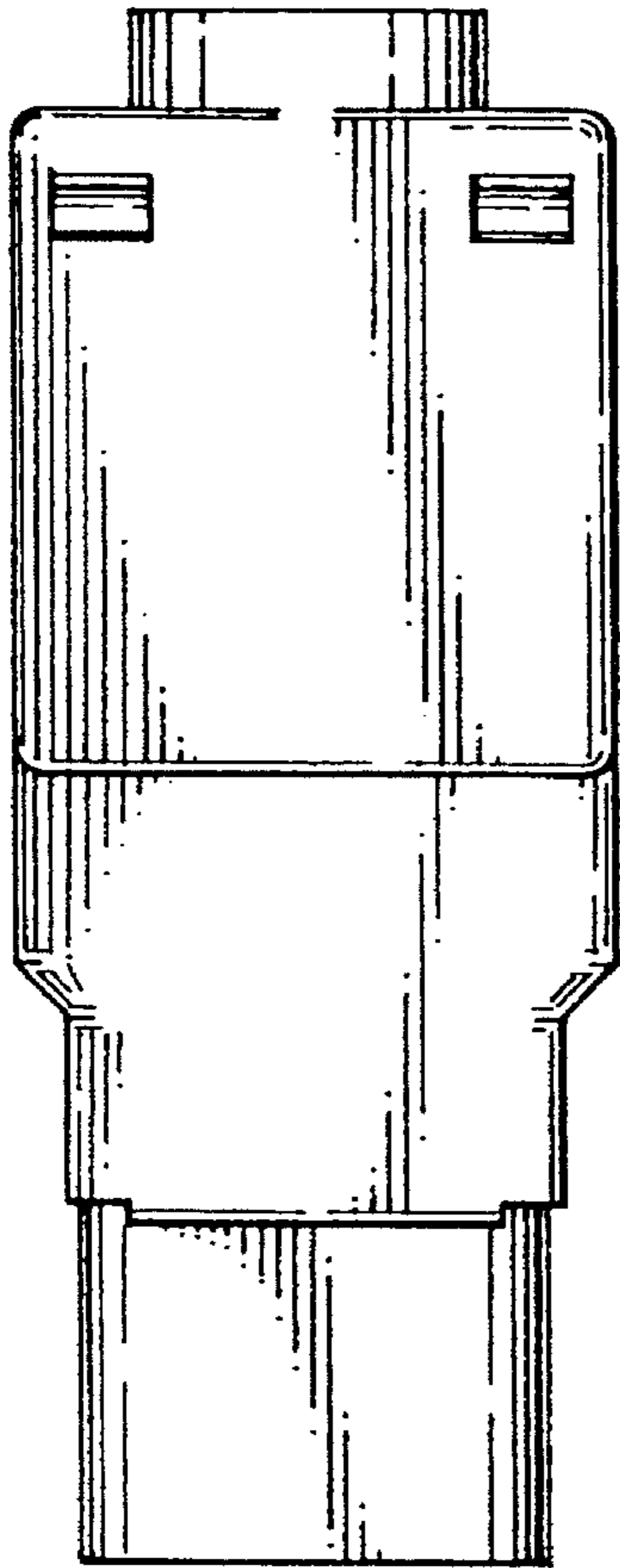


FIG. 12

