



US00D375081S

United States Patent [19]

Sandor et al.

[11] Patent Number: **Des. 375,081**

[45] Date of Patent: ****Oct. 29, 1996**

[54] **ELECTRICAL CONNECTOR BODY**

[75] Inventors: **John L. Sandor**, Wallingford; **William C. Boteler**, Bridgeport, both of Conn.

[73] Assignee: **Hubbell Incorporated**, Orange, Conn.

[**] Term: **14 Years**

[21] Appl. No.: **47,303**

[22] Filed: **Nov. 29, 1995**

Related U.S. Application Data

[63] Continuation of Ser. No. 39,034, May 19, 1995.

[52] **U.S. Cl.** **D13/143**

[58] **Field of Search** D13/137, 140, D13/141, 143; 439/106, 144, 369, 502

[56] **References Cited**

U.S. PATENT DOCUMENTS

D. 244,859	6/1977	Jaconette	D13/3
D. 244,860	6/1977	Jaconette	D13/3
3,239,791	3/1966	Fyrk	439/144
4,010,999	3/1977	Hoffman	339/107
4,138,185	2/1979	Jaconette, Jr.	439/467
4,191,444	3/1980	Smith et al.	439/459
5,041,013	8/1991	Greenbaum	439/425
5,069,634	12/1991	Chiarolanzio	D13/141 X
5,286,213	2/1994	Altergott et al.	D13/140 X

OTHER PUBLICATIONS

GE Wiring Devices—Full Line Catalog—1989—pp. B5, B15, E3, M2.
Photographs of Pass & Seymour, Inc.'s—5965 Plug—Prior to May 19, 1995.

Photographs of Pass & Seymour, Inc.—s—5969 Connector—Prior to May 19, 1995.

Primary Examiner—Joel Sincavage
Attorney, Agent, or Firm—Jerry M. Presson; David L. Tarnoff

[57] **CLAIM**

The ornamental design for an electrical connector body, as shown and described.

DESCRIPTION

FIG. 1 is a top perspective view of an electrical connector body according to our new design;

FIG. 2 is a top plan view of an electrical connector body of our new design shown in FIG. 1;

FIG. 3 is a rear side elevational view of the electrical connector body of our new design shown in FIGS. 1–2, with the side being substantially a mirror image thereof;

FIG. 4 is a bottom plan view of the electrical connector body of our new design shown in FIGS. 1–3;

FIG. 5 is a right end elevational view of the electrical connector body of our new design shown in FIGS. 1–4; and,

FIG. 6 is a left end elevational view of the electrical connector body of our new design shown in FIGS. 1–5.

1 Claim, 2 Drawing Sheets

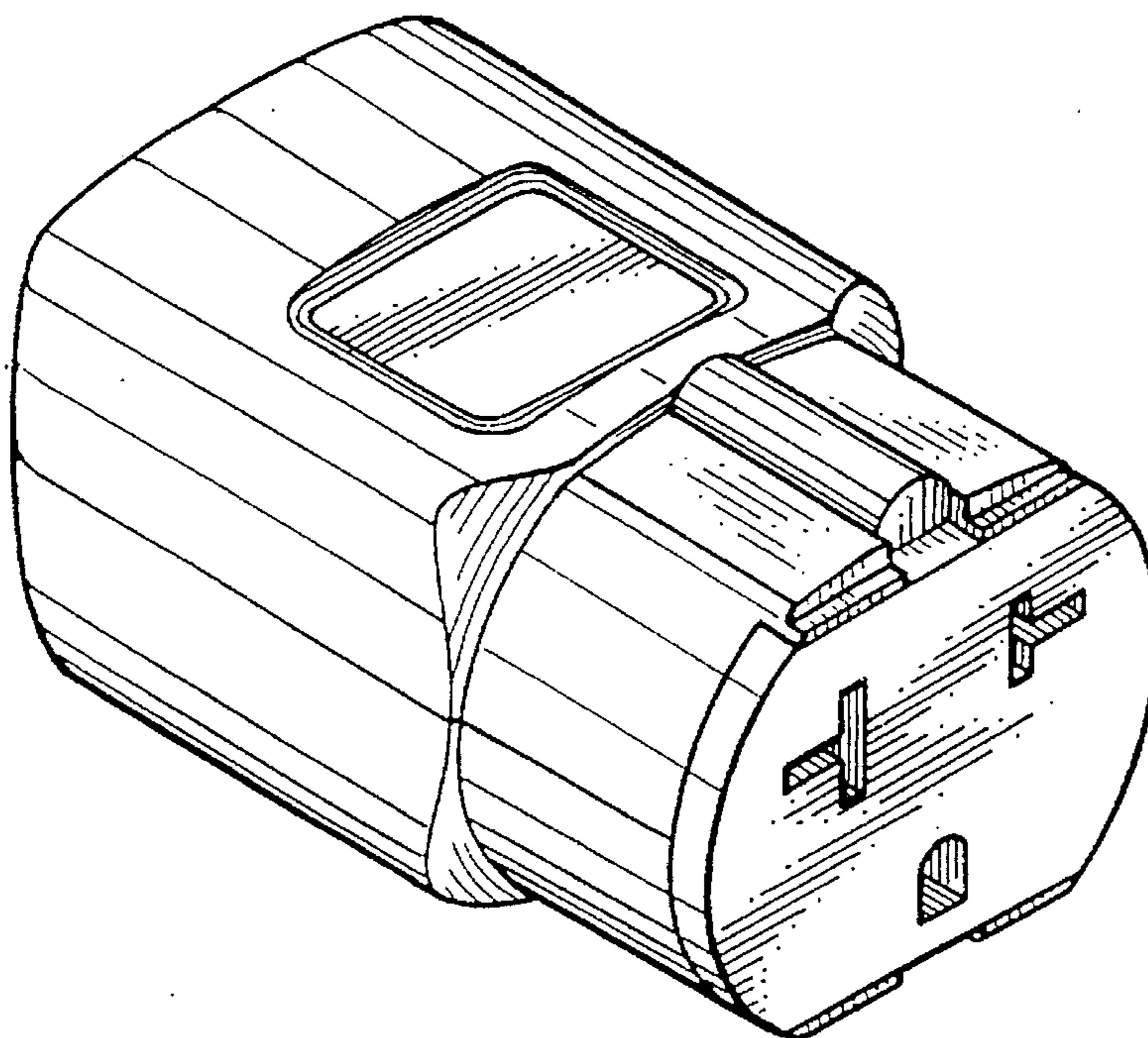


FIG. 1

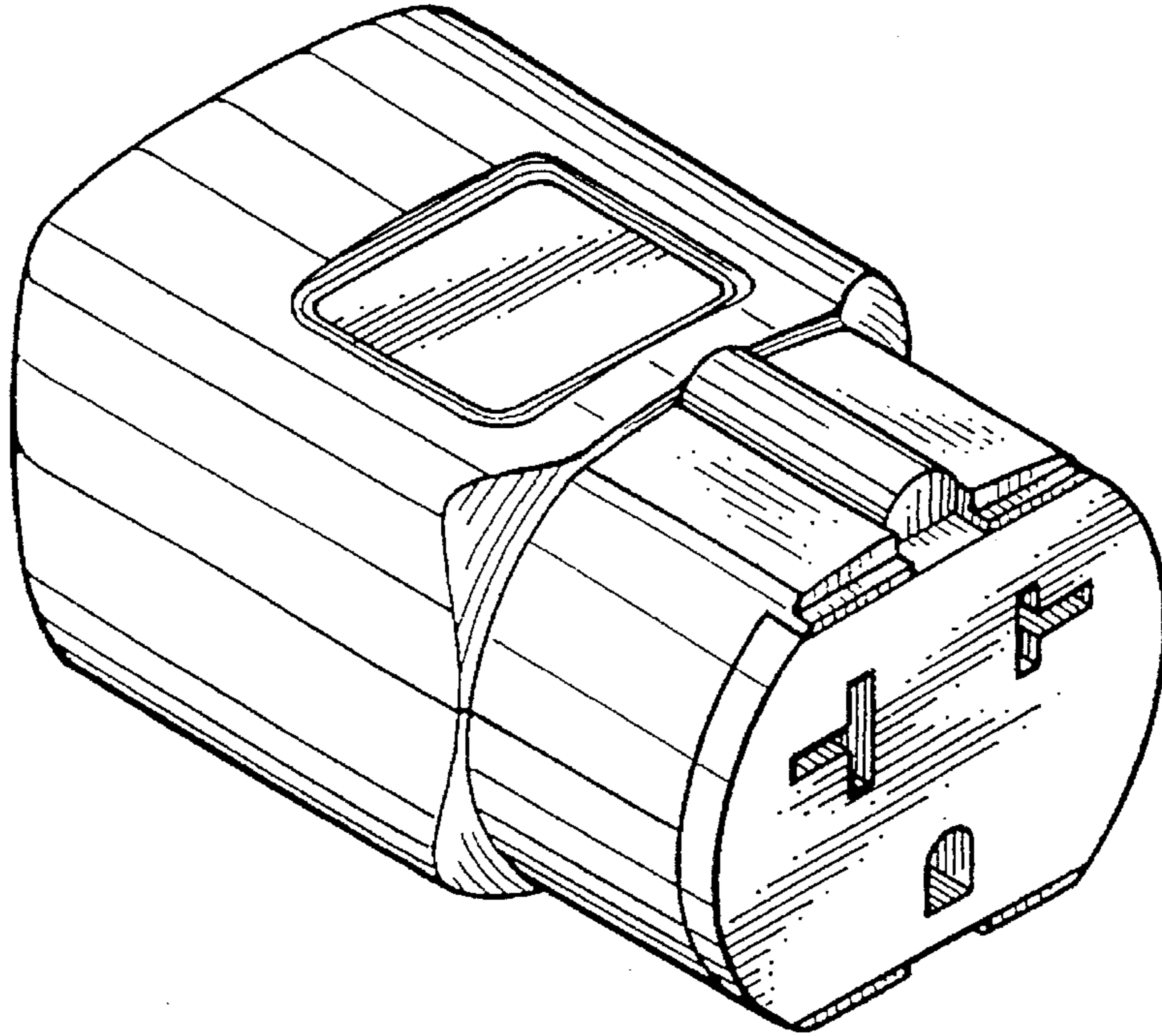


FIG. 2

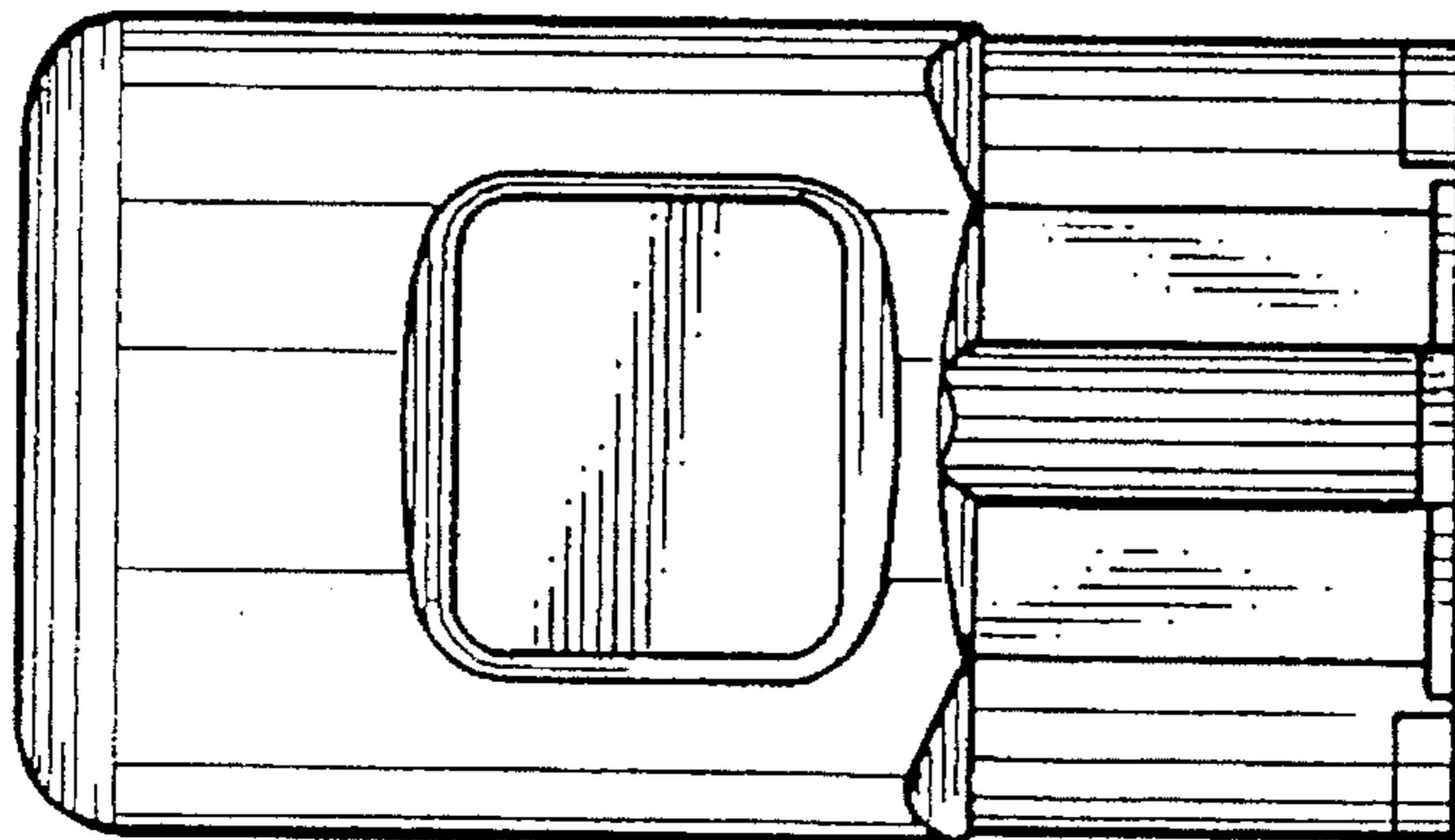


FIG. 3

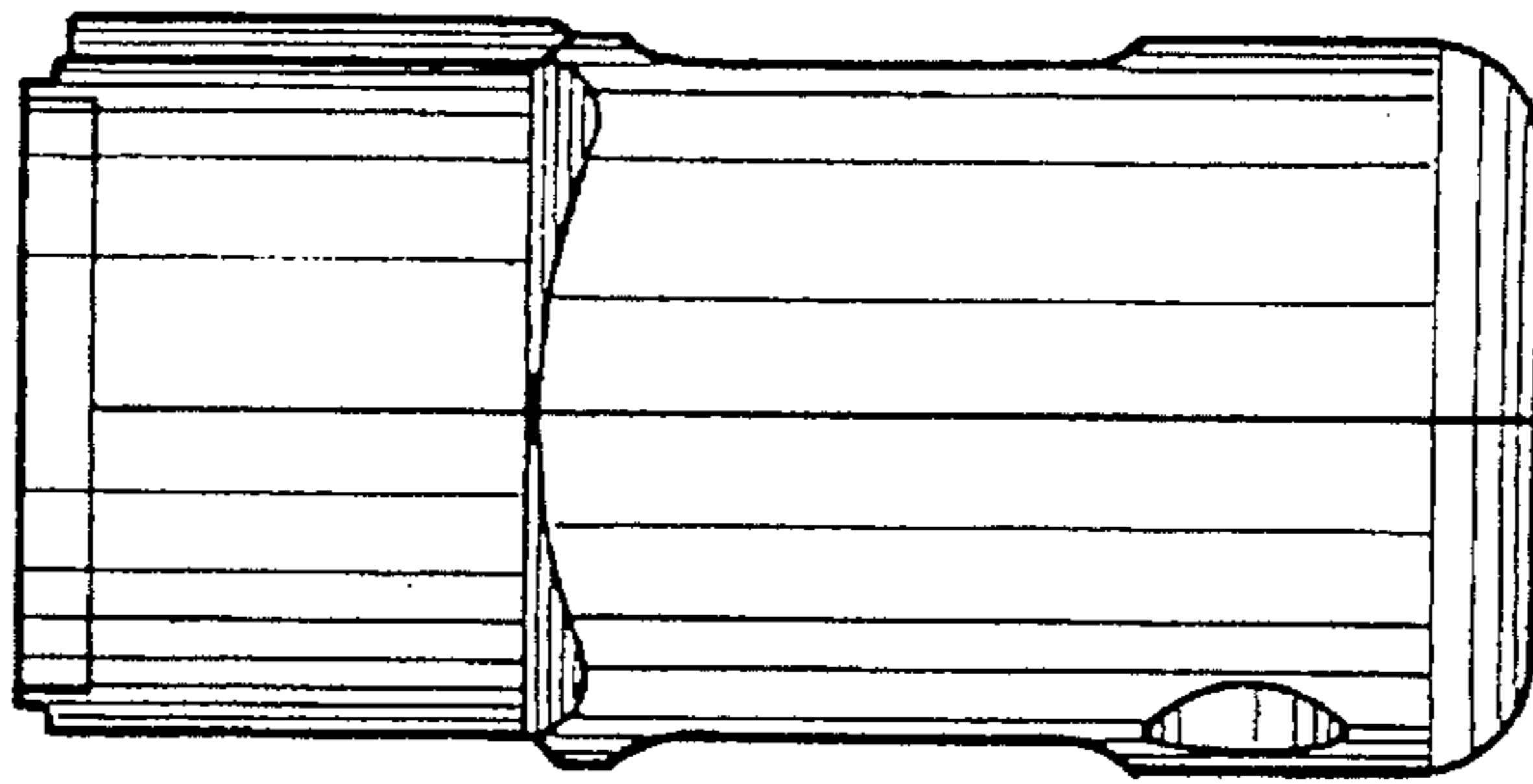


FIG. 4

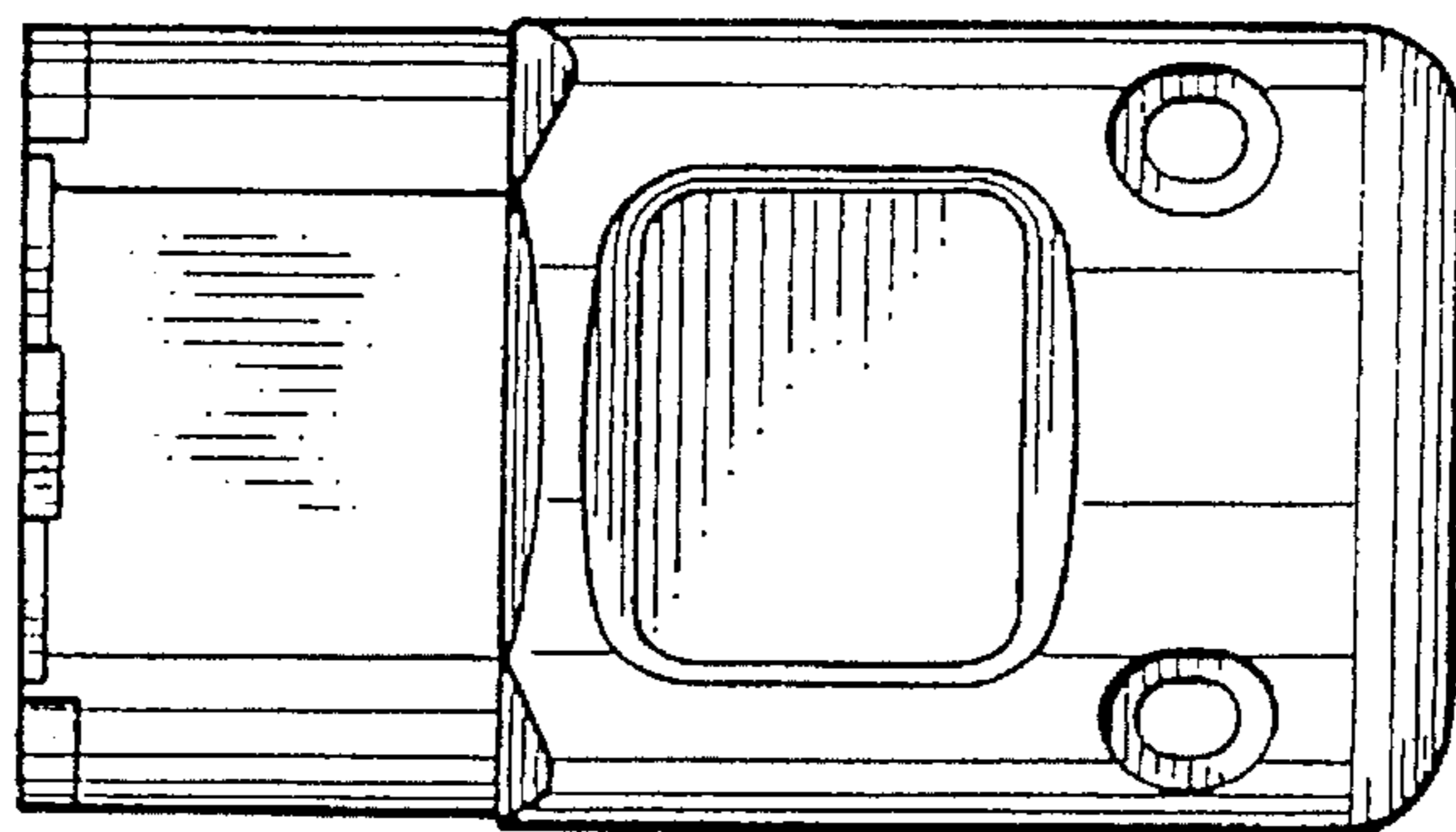


FIG. 5

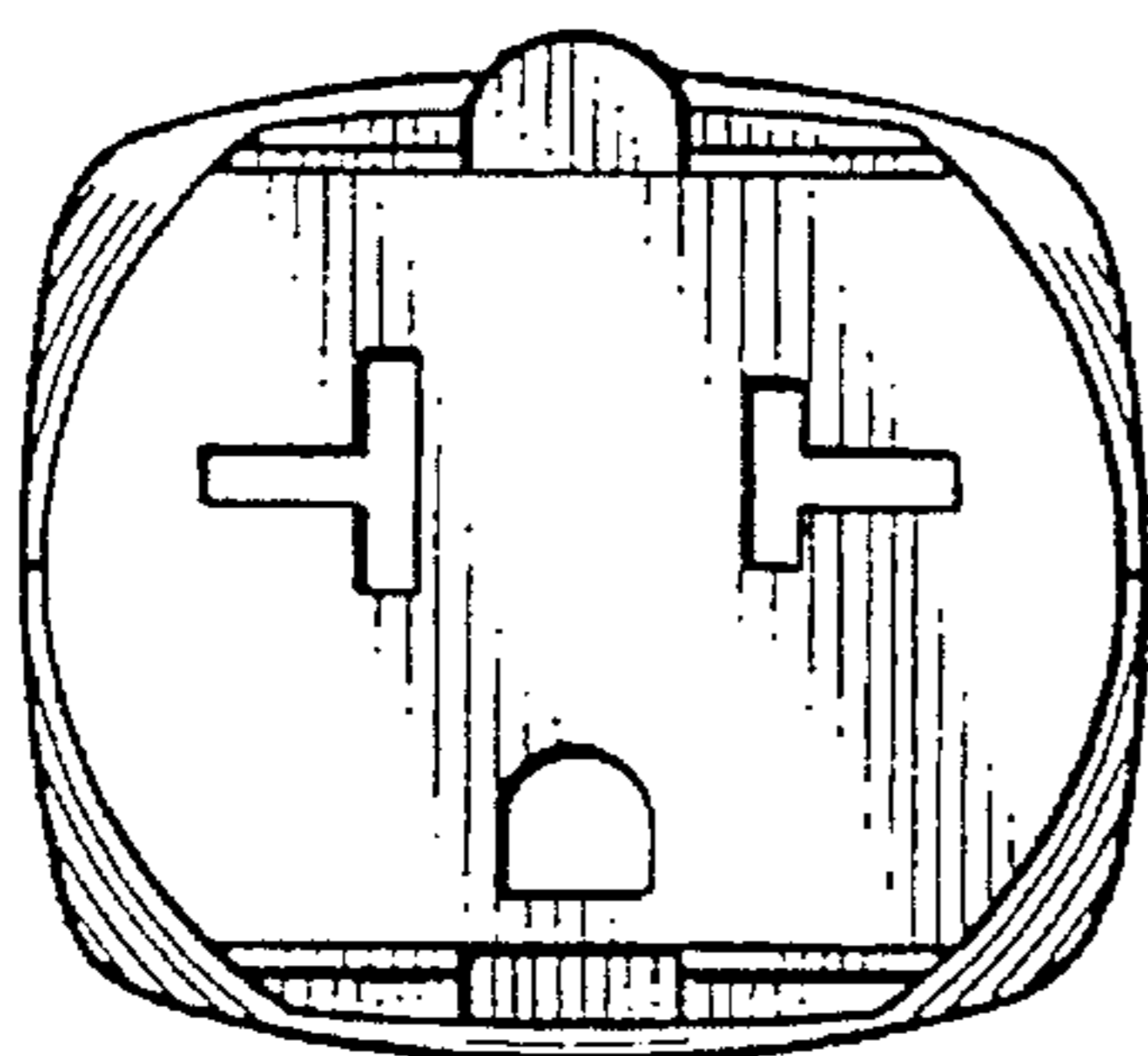


FIG. 6

