



US00D375080S

United States Patent [19]

Sandor et al.

[11] Patent Number: Des. 375,080

[45] Date of Patent: **Oct. 29, 1996

[54] ELECTRICAL PLUG BODY

[75] Inventors: John L. Sandor, Wallingford; William C. Boteler, Bridgeport, both of Conn.

[73] Assignee: Hubbell Incorporated, Orange, Conn.

[**] Term: 14 Years

[21] Appl. No.: 47,301

[22] Filed: Nov. 29, 1995

Related U.S. Application Data

[63] Continuation of Ser. No. 39,035, May 19, 1995.

[52] U.S. Cl. D13/141

[58] Field of Search D13/137, 138, D13/141, 140; 439/106, 144, 692, 694, 695

[56] References Cited

U.S. PATENT DOCUMENTS

D. 244,859	6/1977	Jaconette	D13/3
D. 244,860	6/1977	Jaconette	D13/3
3,239,791	3/1966	Fyrk	439/144
4,010,999	3/1977	Hoffman	339/107
4,138,185	2/1979	Jaconette, Jr.	339/107
4,191,444	3/1980	Smith et al.	339/107
5,041,013	8/1991	Greenbaum	439/425
5,069,634	12/1991	Chiarolanzio	D13/141 X
5,286,213	2/1994	Altergott et al.	D13/140 X

OTHER PUBLICATIONS

GE Wiring Devices—Full Line Catalog—1989—pp. B5, B15, E3, M2.

Photographs of Pass & Seymour, Inc.'s—5965 Plug—Prior to May 19, 1995.

Photographs of Pass & Seymour, Inc.'s—5969 Connector—Prior to May 19, 1995.

Primary Examiner—Joel Sincavage

Attorney, Agent, or Firm—Jerry M. Presson; David L. Tarnoff

[57] CLAIM

The ornamental design for an electrical plug body, as shown and described.

DESCRIPTION

FIG. 1 is a top perspective view of an electrical plug body according to our new design;

FIG. 2 is a top plan view of an electrical plug body of our new design shown in FIG. 1;

FIG. 3 is a front side elevational view of the electrical plug body of our new design shown in FIGS. 1-2, with the rear side (not shown) being substantially a mirror image thereof;

FIG. 4 is a bottom plan view of the electrical plug body of our new design shown in FIGS. 1-3;

FIG. 5 is a left end elevational view of the electrical plug body of our new design shown in FIGS. 1-4; and,

FIG. 6 is a right end elevational view of the electrical plug body of our new design shown in FIGS. 1-5.

The broken line showing throughout the drawing figures is included for the purpose of illustrating environmental structure only and forms no part of the claimed design.

1 Claim, 2 Drawing Sheets

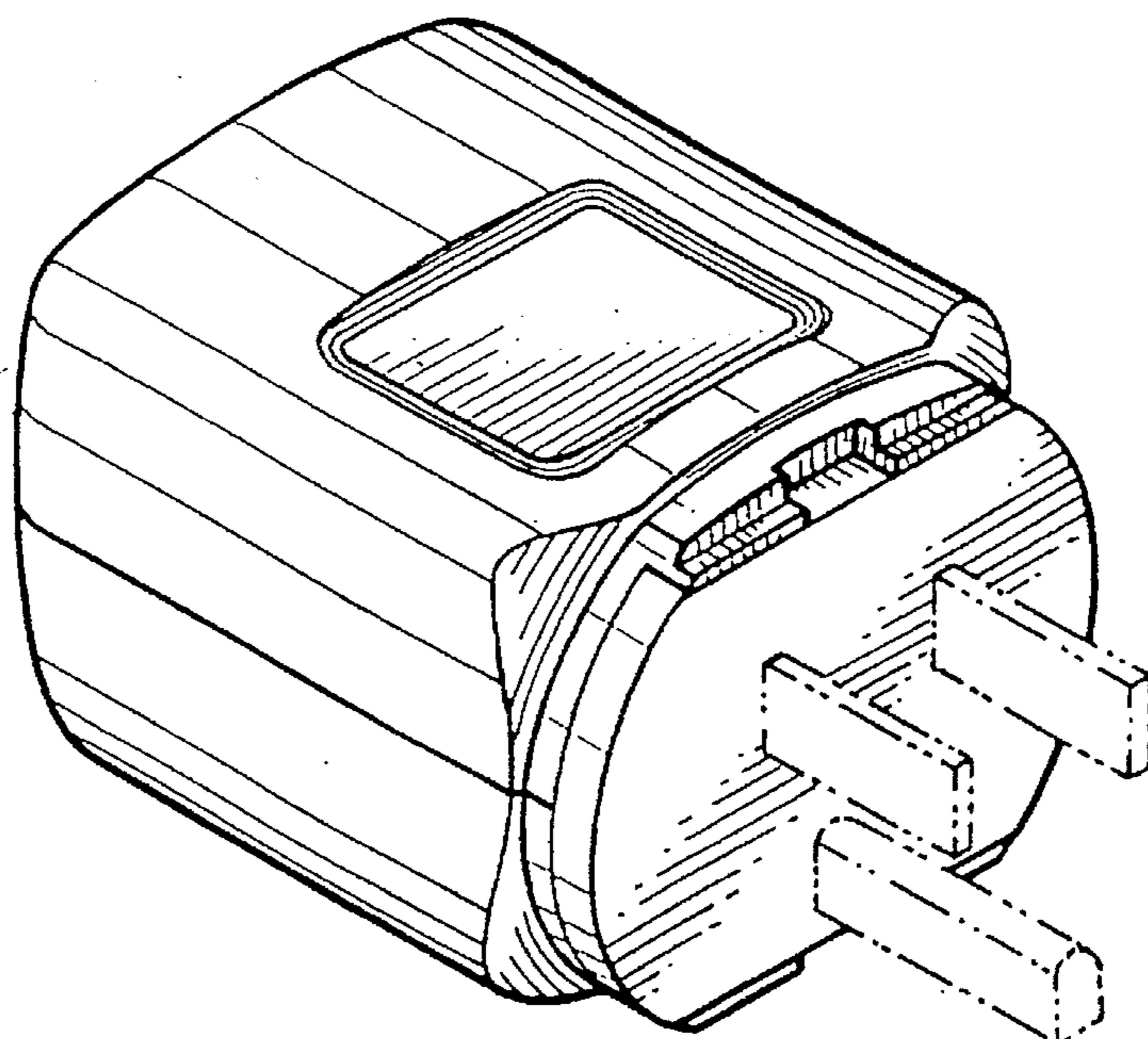


FIG. 1

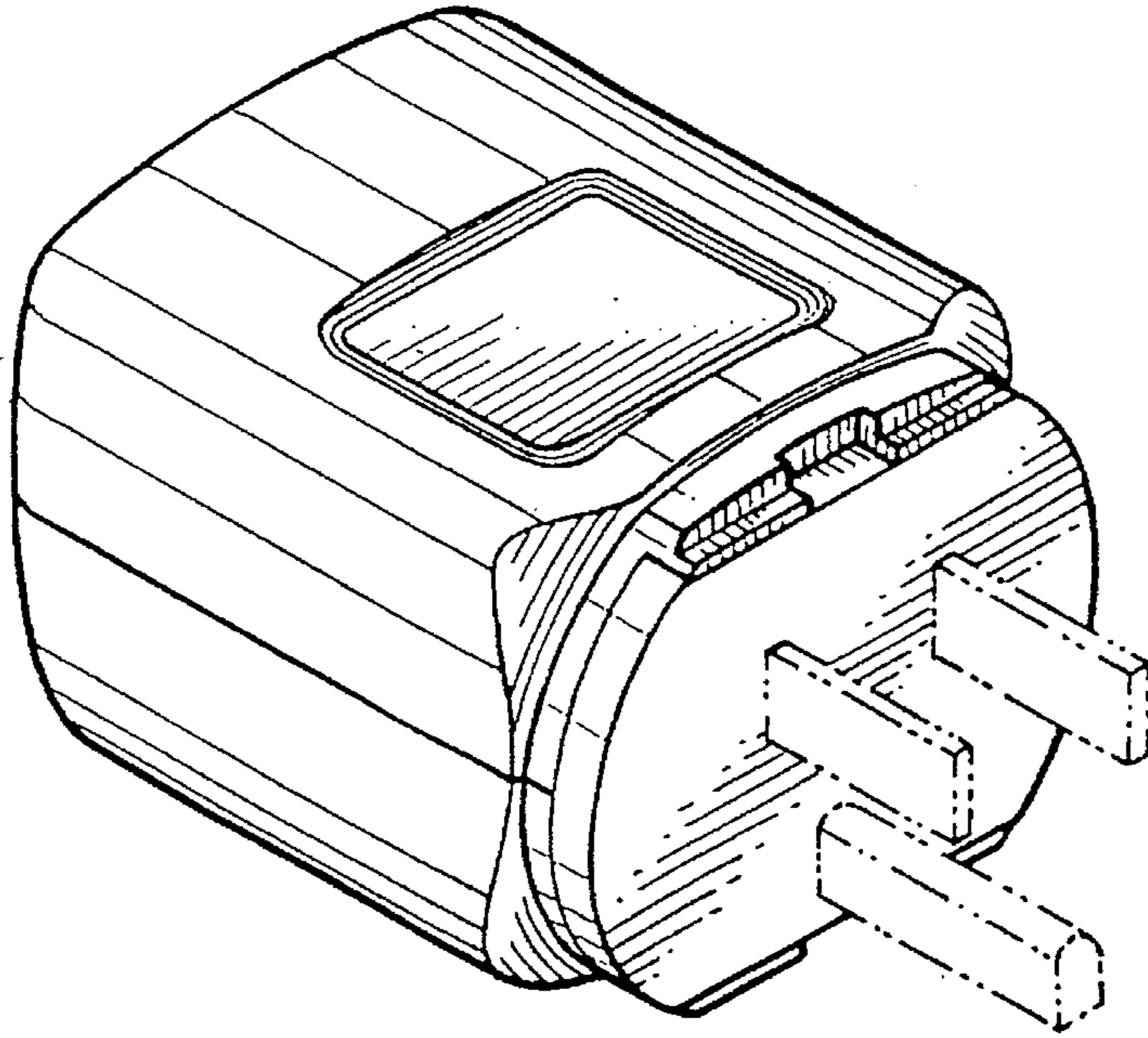


FIG. 2

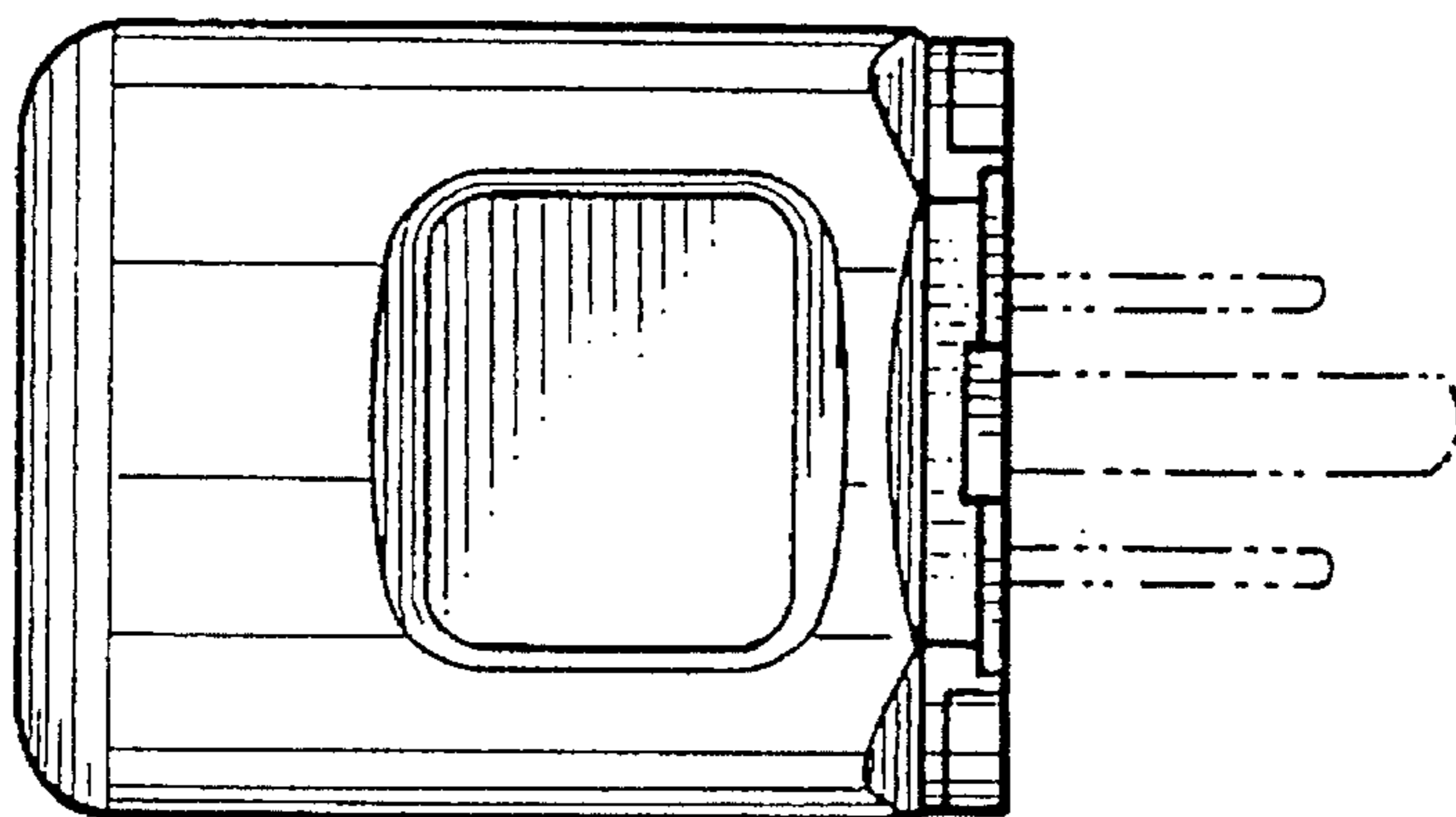


FIG. 3

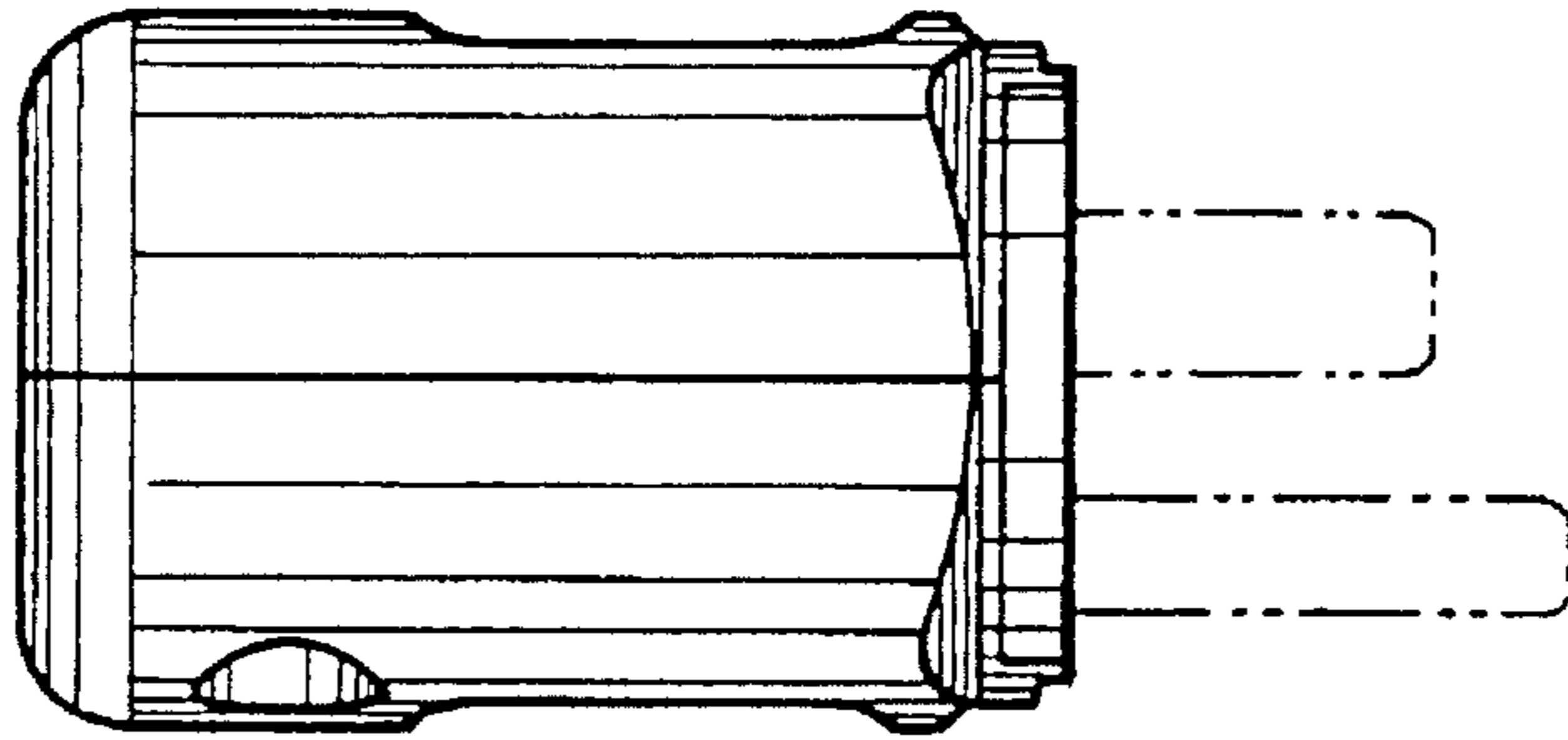


FIG. 4

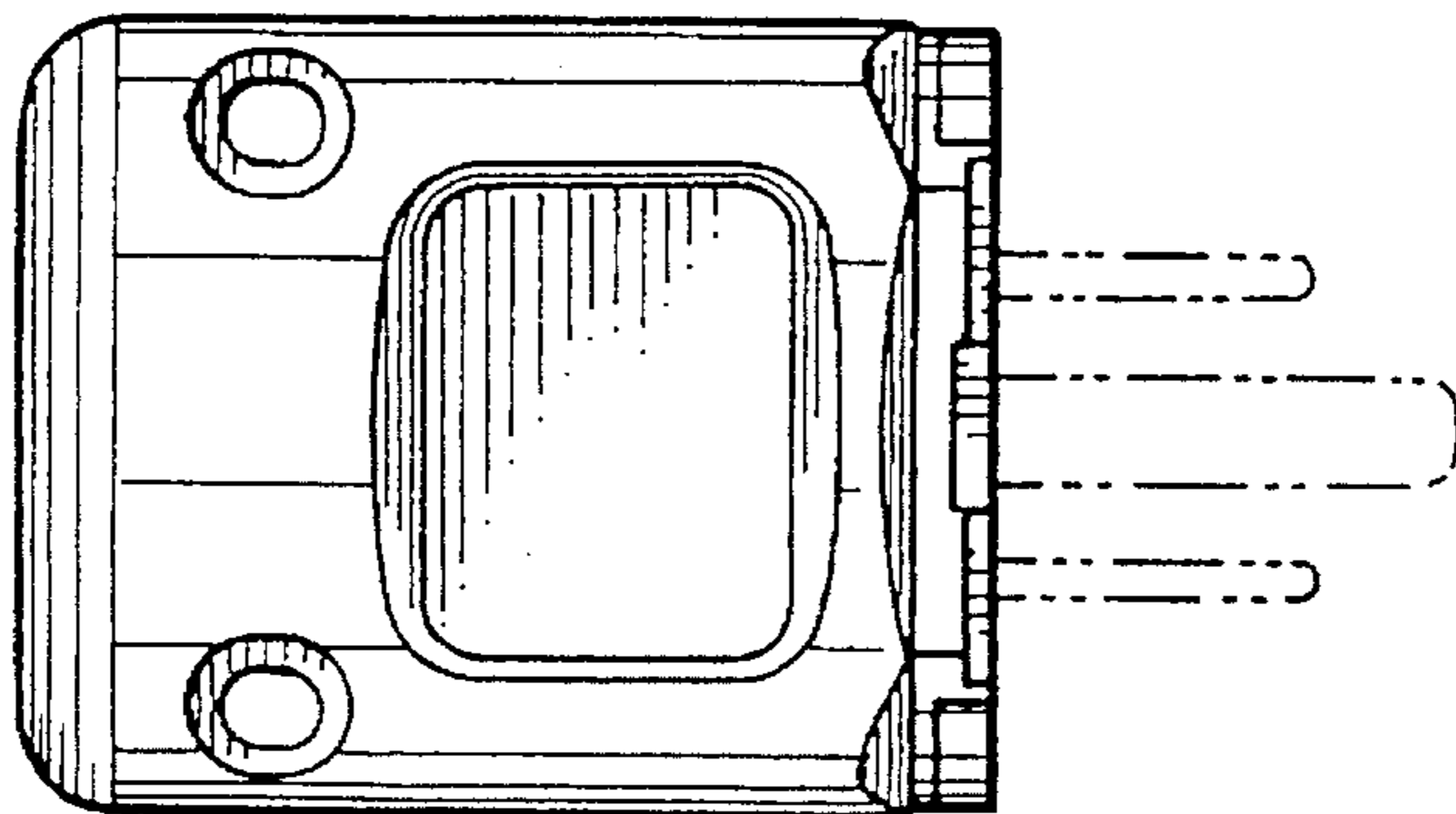


FIG. 5

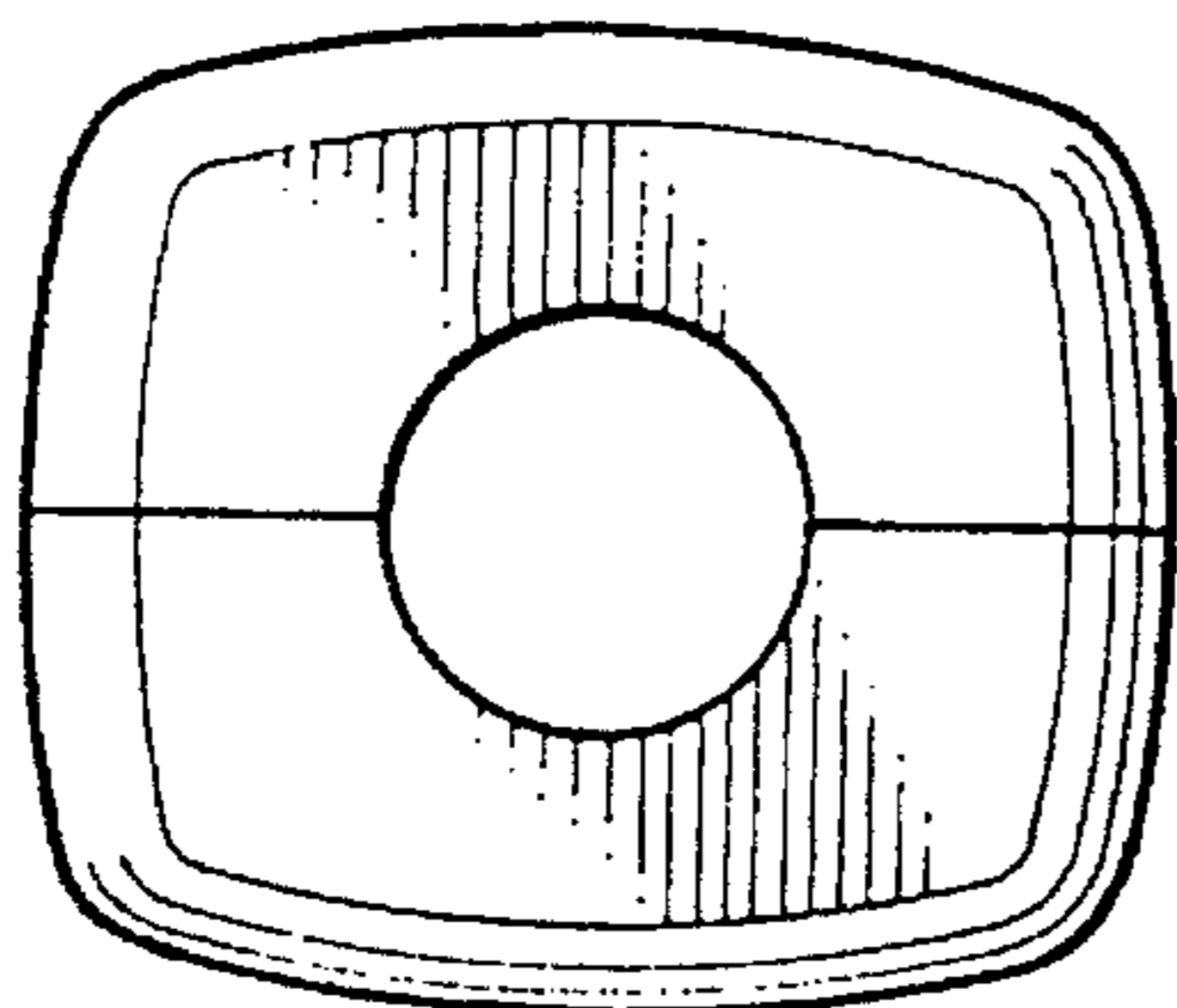


FIG. 6

