



US00D375079S

United States Patent [19]

Pazdirek

[11] Patent Number: **Des. 375,079**

[45] Date of Patent: ****Oct. 29, 1996**

[54] **POWER LINE INSULATOR**

[75] Inventor: **Jiri Pazdirek**, Schaumburg, Ill.

[73] Assignee: **MacLean-Fogg Company**, Wheeling, Ill.

[**] Term: **14 Years**

[21] Appl. No.: **36,622**

[22] Filed: **Feb. 21, 1995**

[52] U.S. Cl. **D13/132**

[58] Field of Search D13/129, 131, D13/132; 174/137, 167, 176, 178, 179

[56] **References Cited**

U.S. PATENT DOCUMENTS

D. 219,590	12/1970	Vose	D13/131
D. 247,963	5/1978	Lewis	D13/131
D. 259,113	5/1981	Essig	D13/129
2,602,766	7/1952	Francis .	
2,684,318	7/1954	Meek .	
2,852,425	9/1958	Shobert .	
2,970,186	1/1961	Von Platen .	
2,983,182	5/1961	Shobert .	
3,007,497	11/1961	Shobert .	
3,014,088	12/1961	Austin et al. .	
3,033,729	5/1962	Shobert .	
3,134,164	5/1964	Hocks .	
3,328,515	6/1967	Vose .	
3,571,492	3/1971	Clark .	
3,586,758	6/1971	Harmon .	
3,592,959	7/1971	Dougherty .	
3,739,457	6/1973	Davis .	
3,878,321	4/1975	Ely .	
3,898,372	8/1975	Kalb .	
3,971,128	7/1976	Rebosio .	
4,057,687	11/1977	Willem .	
4,198,538	4/1980	Lusk .	

4,217,466	8/1980	Kuhl .	
4,246,696	1/1981	Bauer et al. .	
4,296,276	10/1981	Ishihara et al. .	
4,373,113	2/1983	Winkler et al. .	
4,423,285	12/1983	Thuillier et al. .	
4,427,843	1/1984	Ishihara et al. .	
4,481,056	11/1984	Kuhl .	
4,491,687	1/1985	Kaczeginski et al. .	
4,505,033	3/1985	Wheeler .	
4,656,555	4/1987	Raudagaugh .	
4,671,336	6/1987	Anahara et al. .	
4,857,124	8/1989	Shobert et al. .	
4,892,461	1/1990	Matsumoto et al. .	
4,958,049	9/1990	Alfieri et al. .	
4,992,313	2/1991	Shobert et al. .	
5,047,106	9/1991	Matsumoto et al. .	
5,220,134	6/1993	Novel et al. .	
5,336,852	8/1994	Goch et al.	174/176
5,374,780	12/1994	Pazdirek	174/176
5,406,033	4/1995	Pazdirek	174/176

FOREIGN PATENT DOCUMENTS

1282731	12/1961	France	174/178
1395704	3/1965	France	174/178
1282122	11/1968	Germany	174/178
138539	2/1920	United Kingdom	174/179

Primary Examiner—Joel Sincavage

Attorney, Agent, or Firm—Brinks Hofer Gilson & Lione

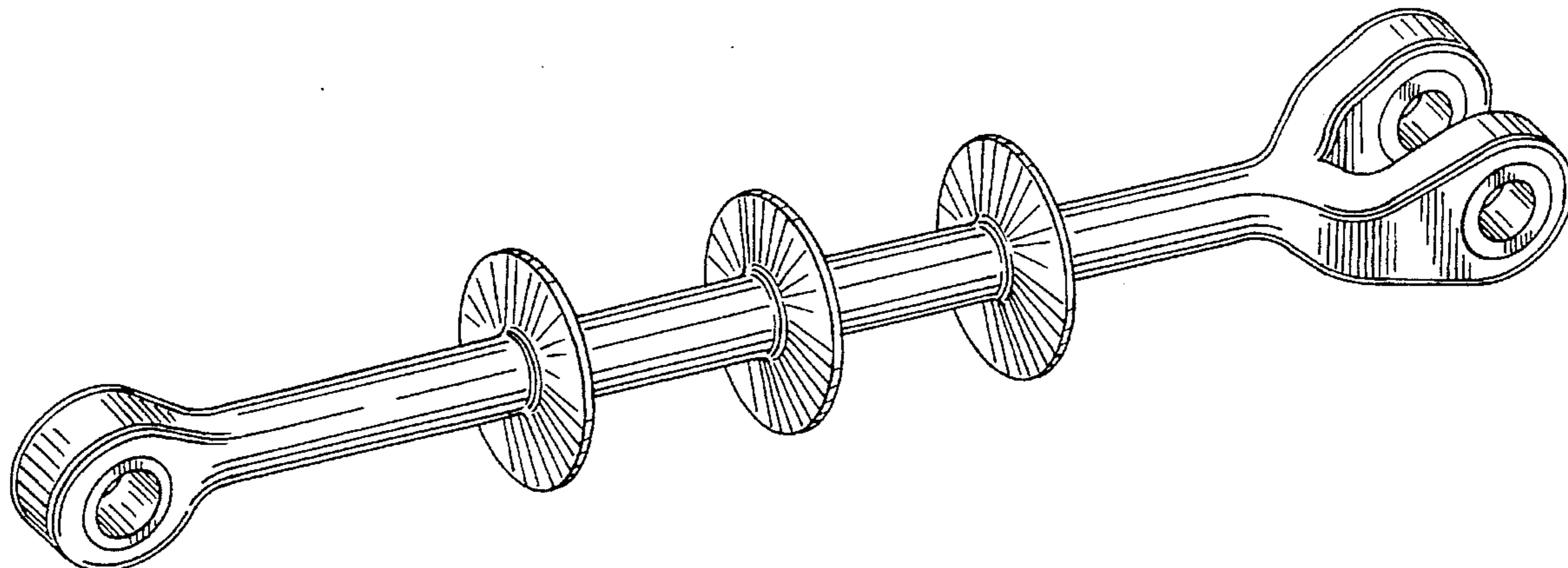
[57] **CLAIM**

The ornamental design for a power line insulator, as shown and described.

DESCRIPTION

FIG. 1 is a perspective view of a power line insulator showing my new design; FIG. 2 is a top view thereof; and, FIG. 3 is a side view thereof.

1 Claim, 1 Drawing Sheet



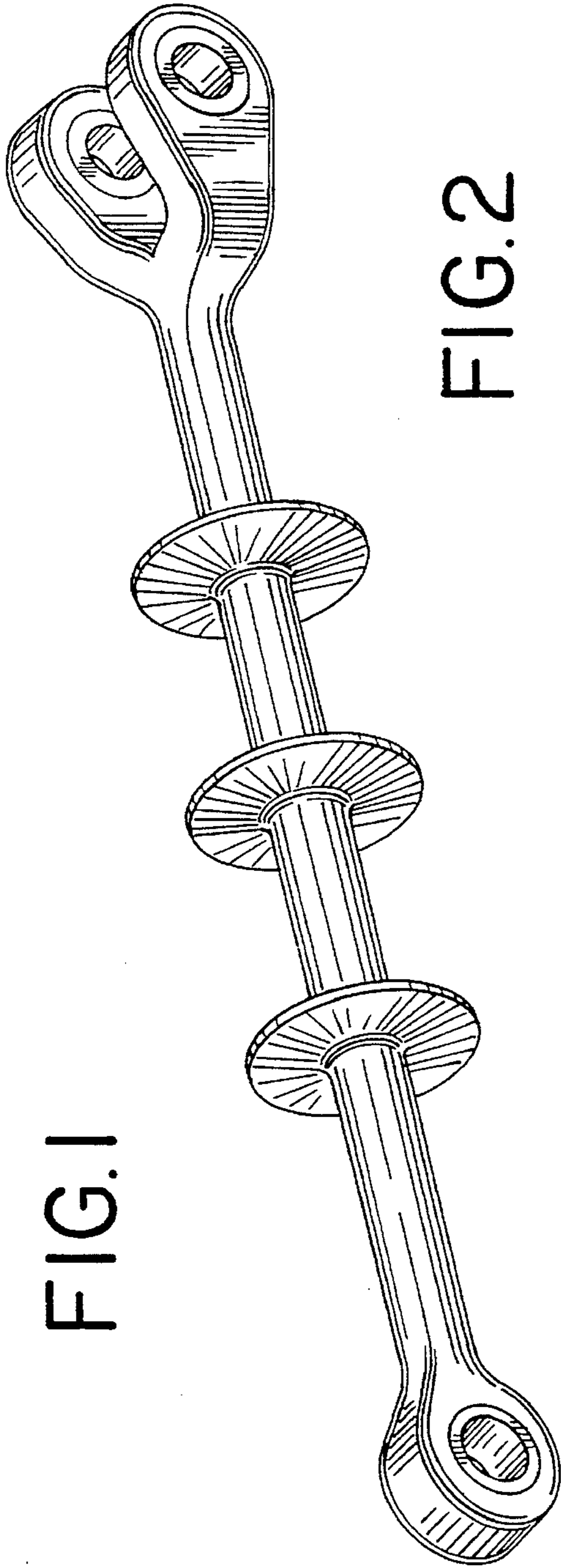


FIG. 1

FIG. 2

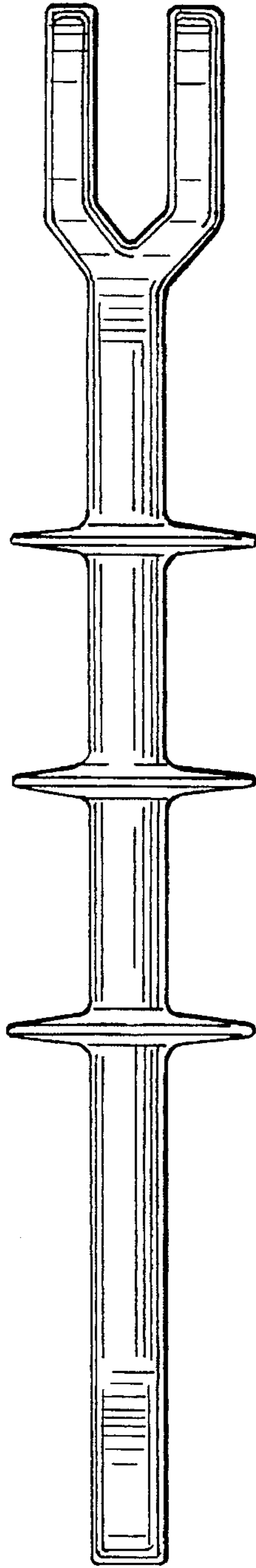


FIG. 3

