



US00D375071S

United States Patent [19]

[11] Patent Number: **Des. 375,071**

Darley

[45] Date of Patent: ****Oct. 29, 1996**

[54] CONTROL PANEL FOR A FIRE TRUCK

OTHER PUBLICATIONS

[76] Inventor: **Peter F. Darley**, 607 Jackson, River Forest, Ill. 60305

Sweet's Catalog File, 1981, p. 8, Sect. 5.5/UN the Cant Strip Panel.

[**] Term: **14 Years**

Primary Examiner—Melody M. Brown
Attorney, Agent, or Firm—Marshall, O'Toole, Gerstein, Murray & Borun

[21] Appl. No.: **13,652**

[22] Filed: **Sep. 29, 1993**

[57] CLAIM

[52] U.S. Cl. **D12/192**

The ornamental design for a control panel for a fire truck, as shown and described.

[58] Field of Search D12/192, 13; D25/119; 780/90; 248/300; 296/70; D20/10, 35, 40; D6/396, 509; 52/783.11, 783.18, 793.11, 720.1, 712; D8/16, 366; 176/547, 502

DESCRIPTION

[56] References Cited

FIG. 1 is a front perspective view taken from above and the right of a control panel for a fire truck showing my new design;

U.S. PATENT DOCUMENTS

FIG. 2 is a front elevational view thereof;

D. 76,246	9/1928	Kratz	D6/332
D. 248,462	7/1978	Bell	D12/192
D. 284,751	7/1986	Soederberg	D12/192
D. 328,529	8/1992	Lenariryk	D6/396
D. 339,786	9/1993	Allendorph et al.	D12/192
3,394,697	7/1968	Lewis	126/547
4,421,190	12/1983	Martinson et al.	D12/192
5,174,621	12/1992	Anderson	D12/192

FIG. 3 is a front perspective view taken from above thereof;

FIG. 4 is a right side elevational view thereof; and,

FIG. 5 is a left side elevational view thereof.

The broken lines shown in FIGS. 1-5 are for illustrative purposes only and form no part of the claimed design.

1 Claim, 4 Drawing Sheets

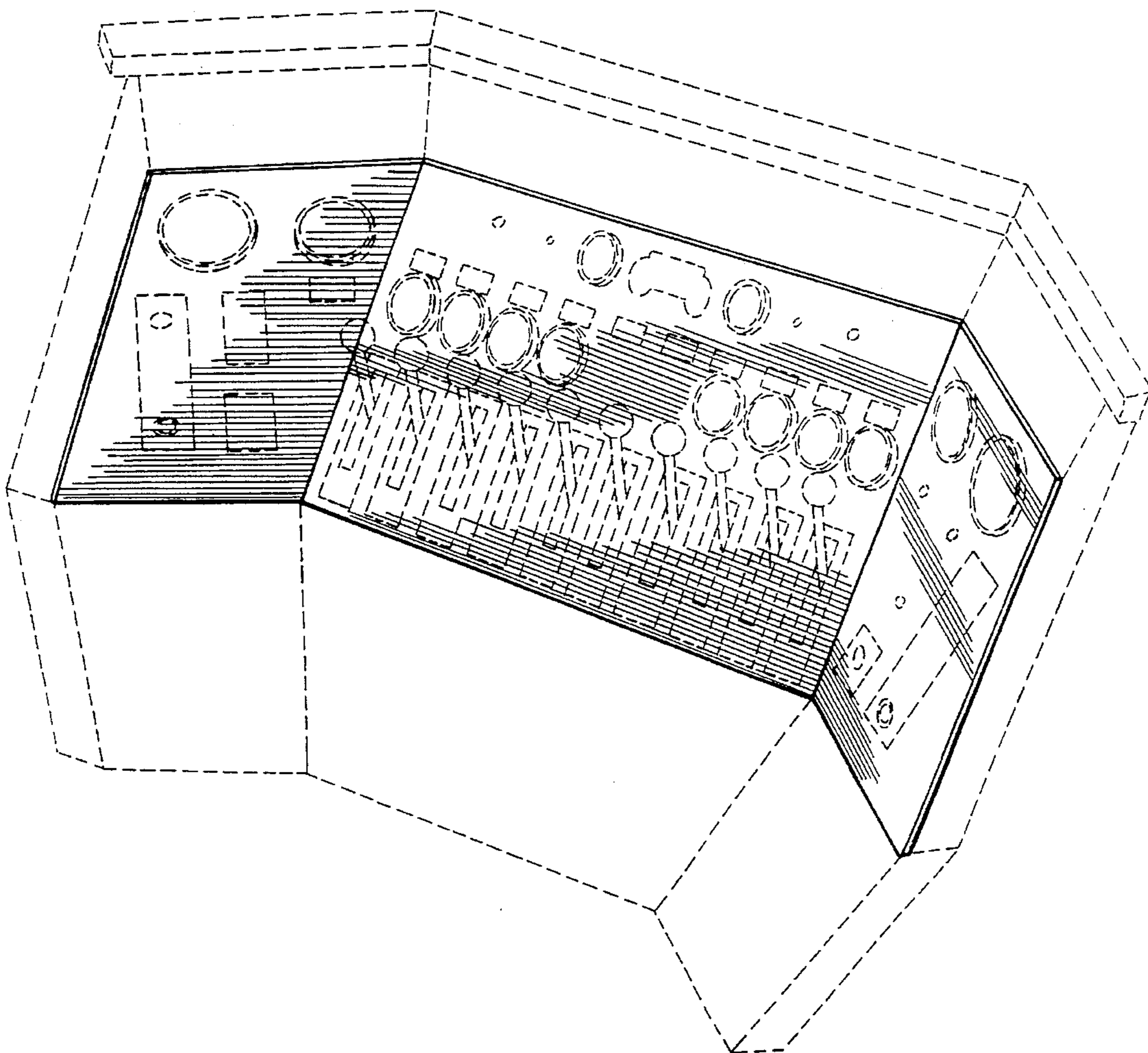
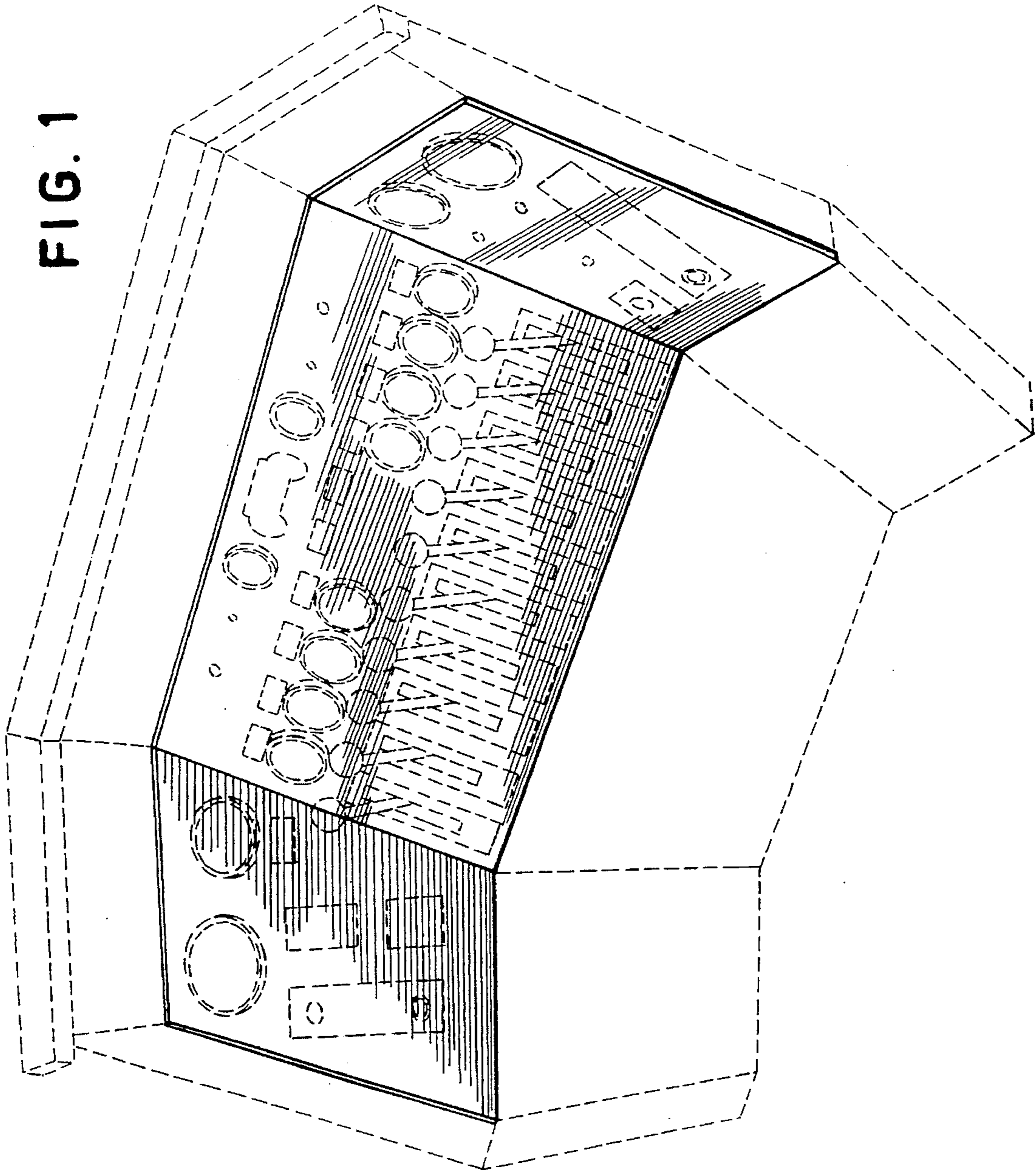


FIG. 1



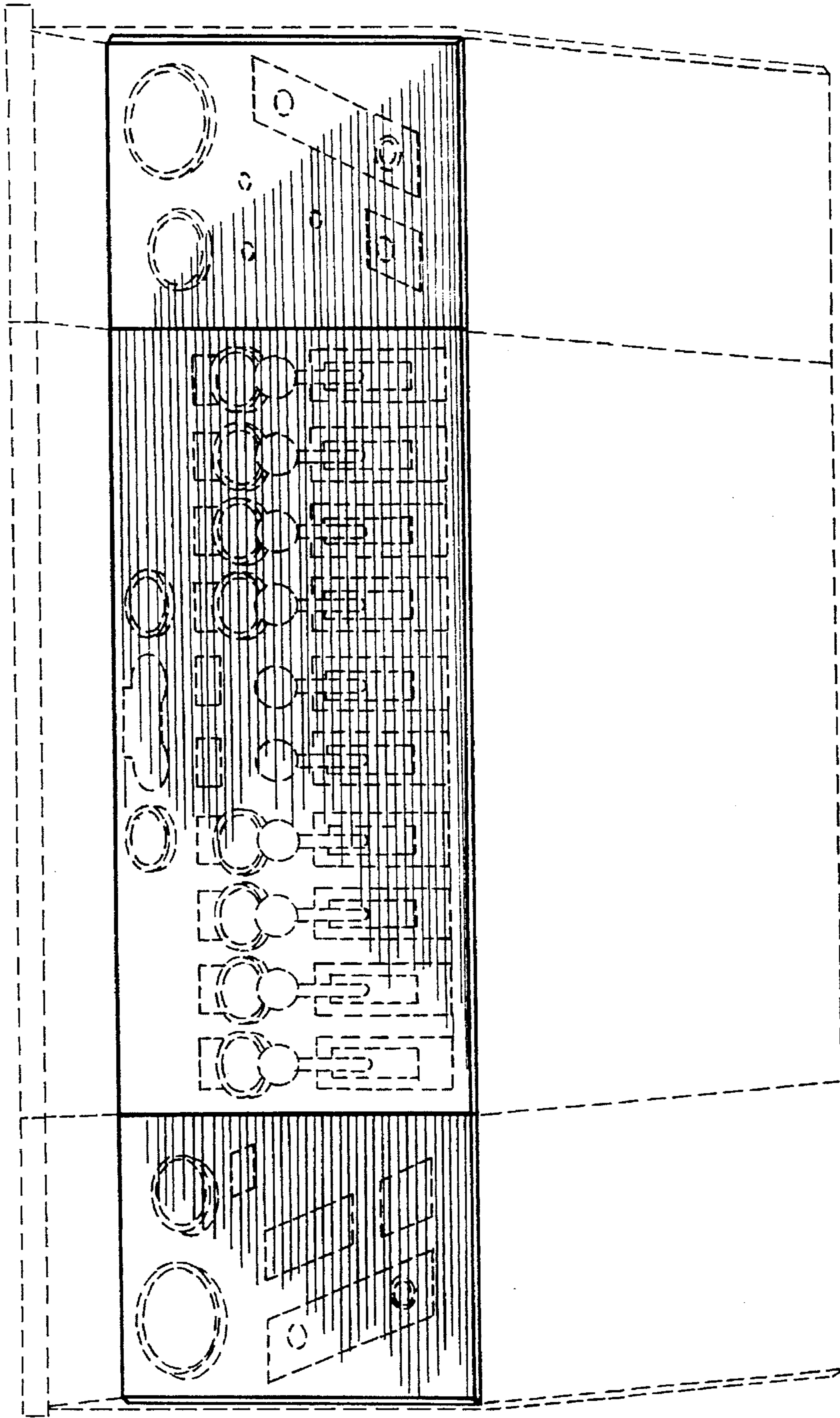


FIG. 2

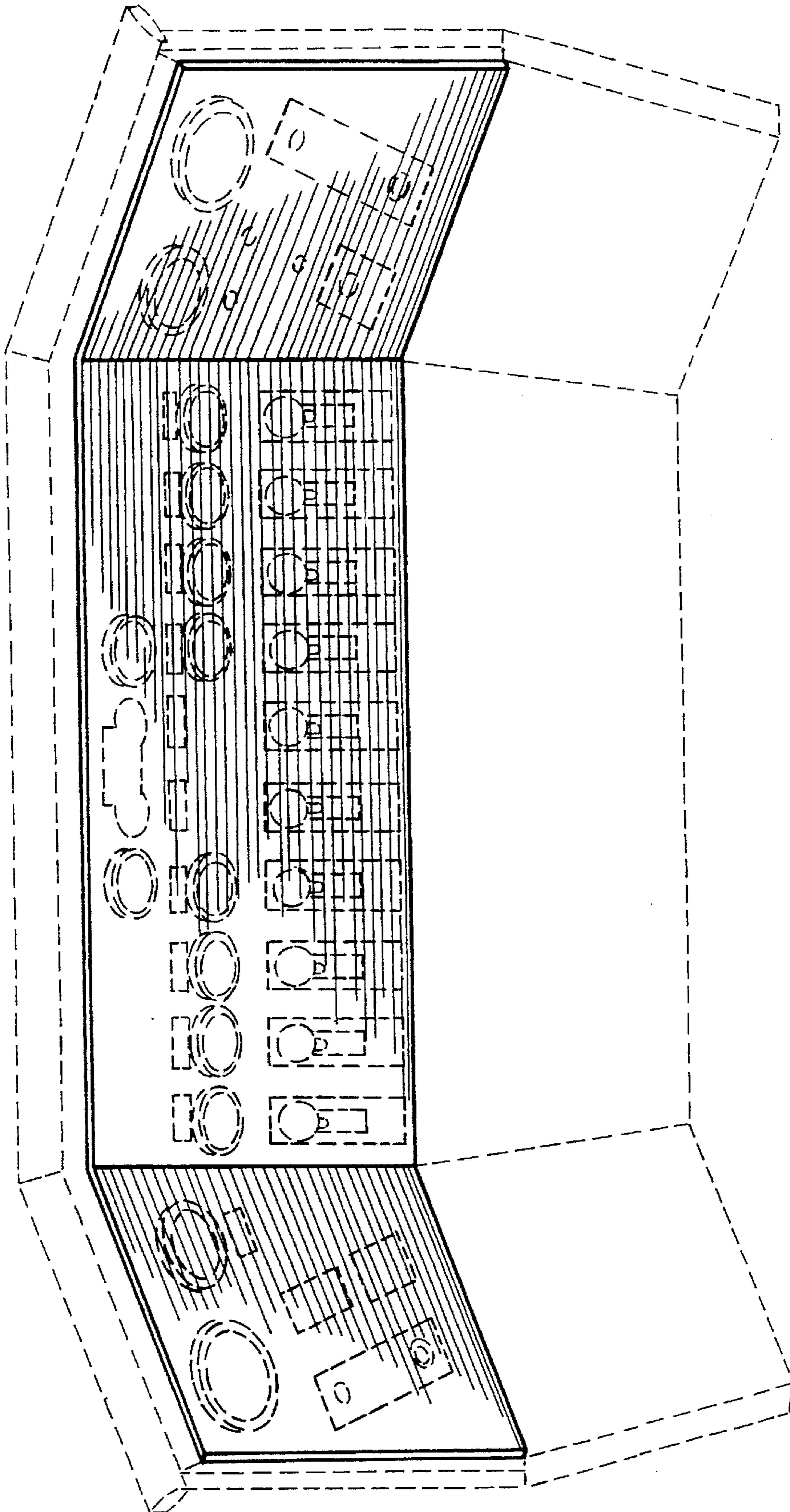


FIG. 3

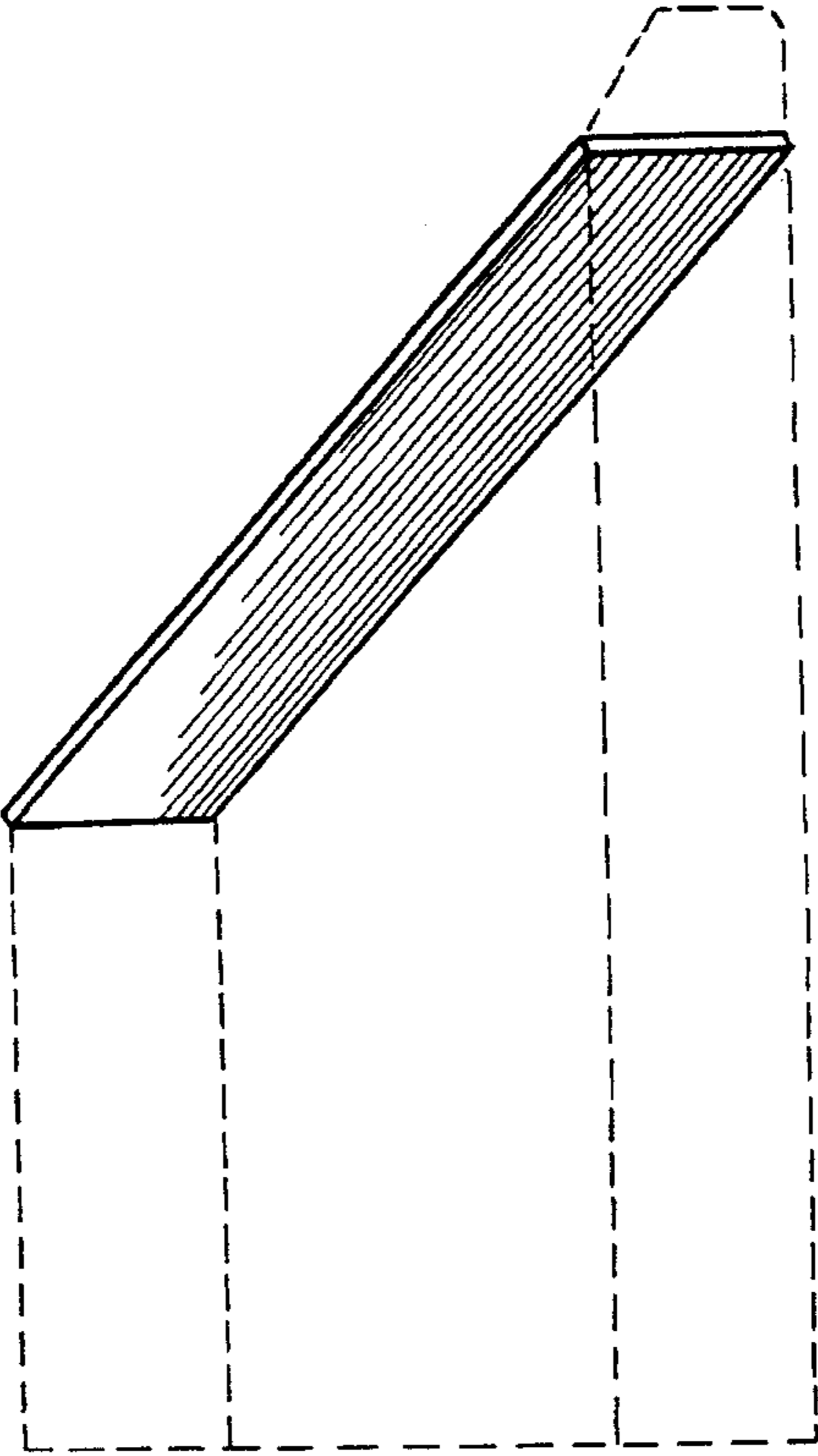


FIG. 4

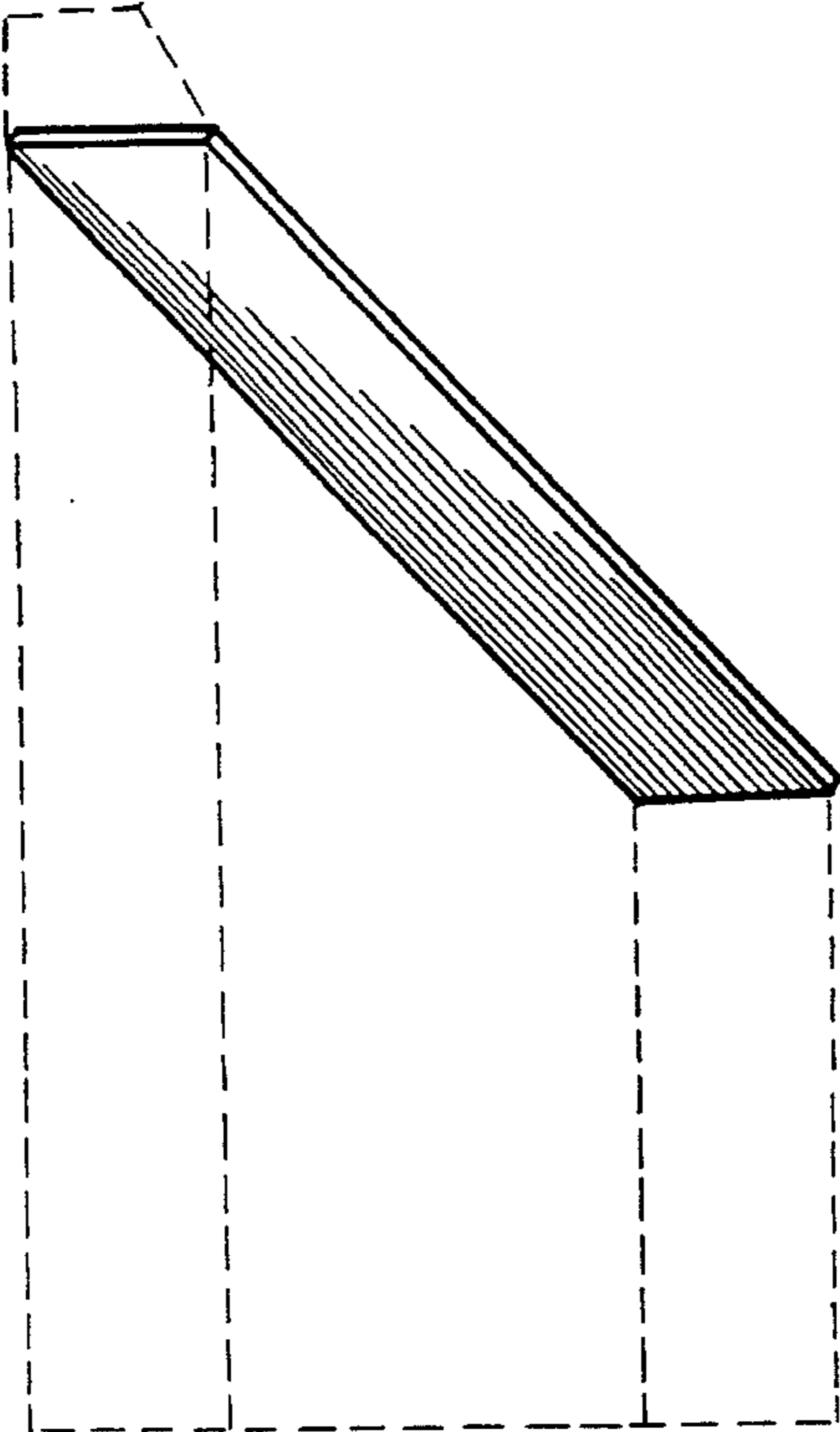


FIG. 5