



US00D375070S

United States Patent [19]

Yeabower

[11] Patent Number: **Des. 375,070**

[45] Date of Patent: ****Oct. 29, 1996**

[54] ANGLED REARVIEW MIRROR

[76] Inventor: **Donald Yeabower**, P.O. Box 5591,
Destin, Fla. 32540

[**] Term: **14 Years**

[21] Appl. No.: **47,373**

[22] Filed: **Dec. 1, 1995**

[52] U.S. Cl. **D12/187**

[58] Field of Search D12/187; 359/838,
359/844, 848, 850, 855, 856, 864, 866,
871-876; 248/475.1, 476, 479, 481

[56] References Cited

U.S. PATENT DOCUMENTS

D. 365,317	12/1995	Hellmund	D12/187
4,575,202	3/1986	McGuire	359/866
4,643,544	2/1987	Loughran	359/866

OTHER PUBLICATIONS

J. C. Whitney & Co., Catalog No. 495P, © 1988 Day/Night
Interior Rear View Mirror, p. 125.

Primary Examiner—A. Hugo Word
Assistant Examiner—Lavone D. Tabor
Attorney, Agent, or Firm—Harold H. Dutton, Jr.; W. Charles
L. Jamison; Diane F. Liebman

[57] CLAIM

The ornamental design for an angled rearview mirror, as shown.

DESCRIPTION

FIG. 1 is a perspective view of an angled rearview mirror showing my new design;

FIG. 2 is a front view thereof;

FIG. 3 is a rear view thereof;

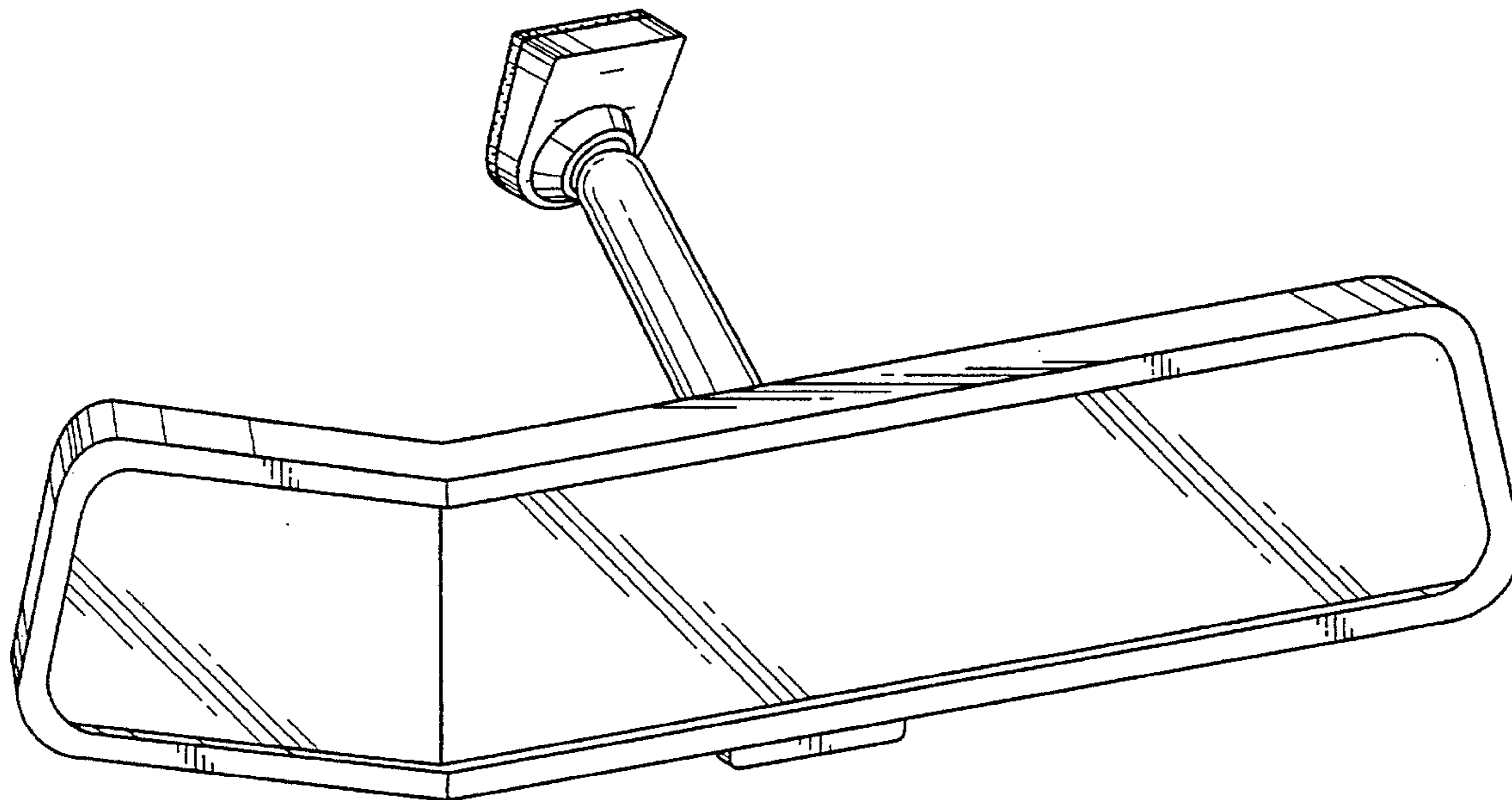
FIG. 4 is a top view thereof;

FIG. 5 is a bottom view thereof;

FIG. 6 is a left side view thereof; and,

FIG. 7 is a right side view thereof.

1 Claim, 4 Drawing Sheets



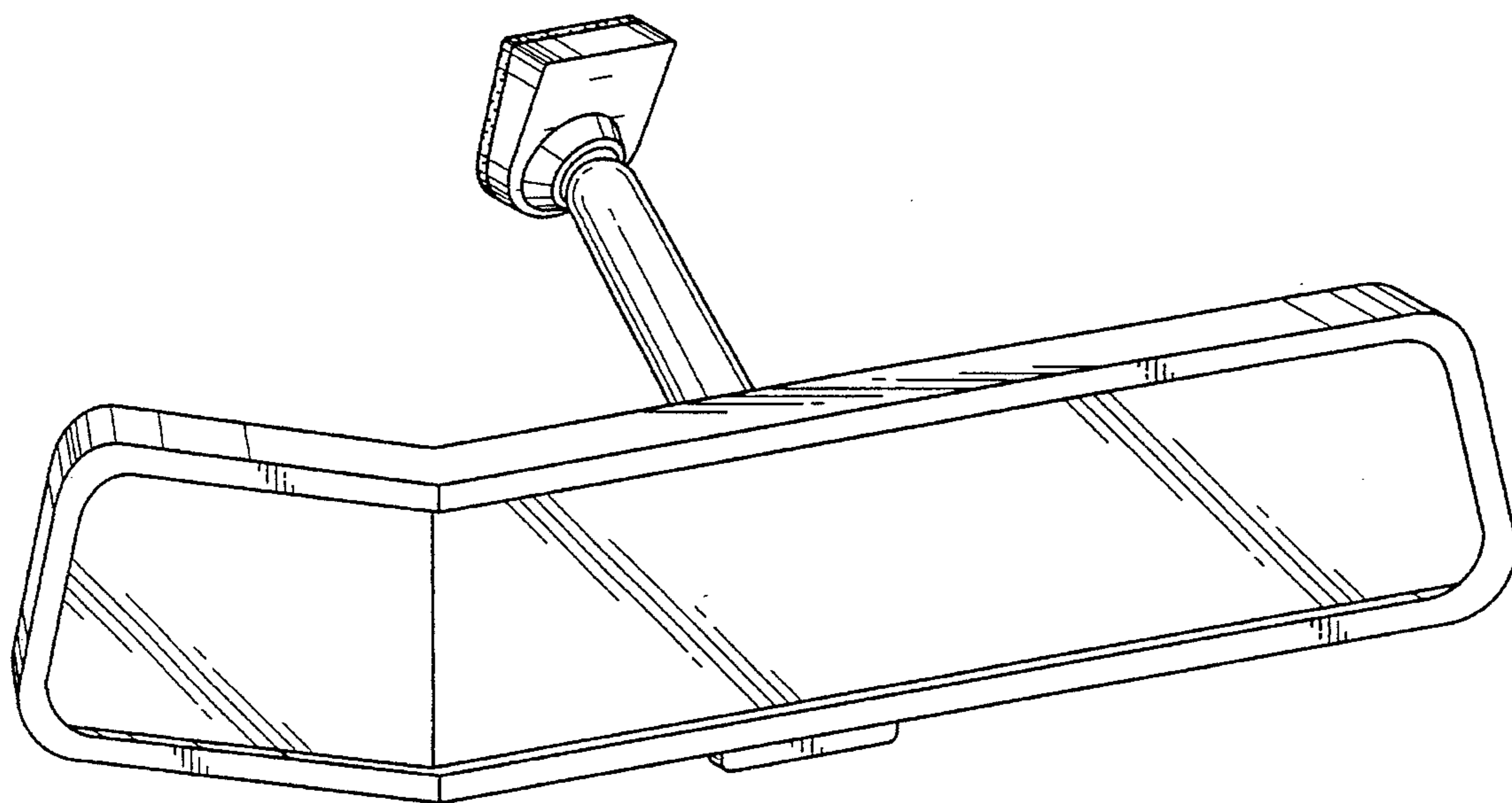


FIG. 1

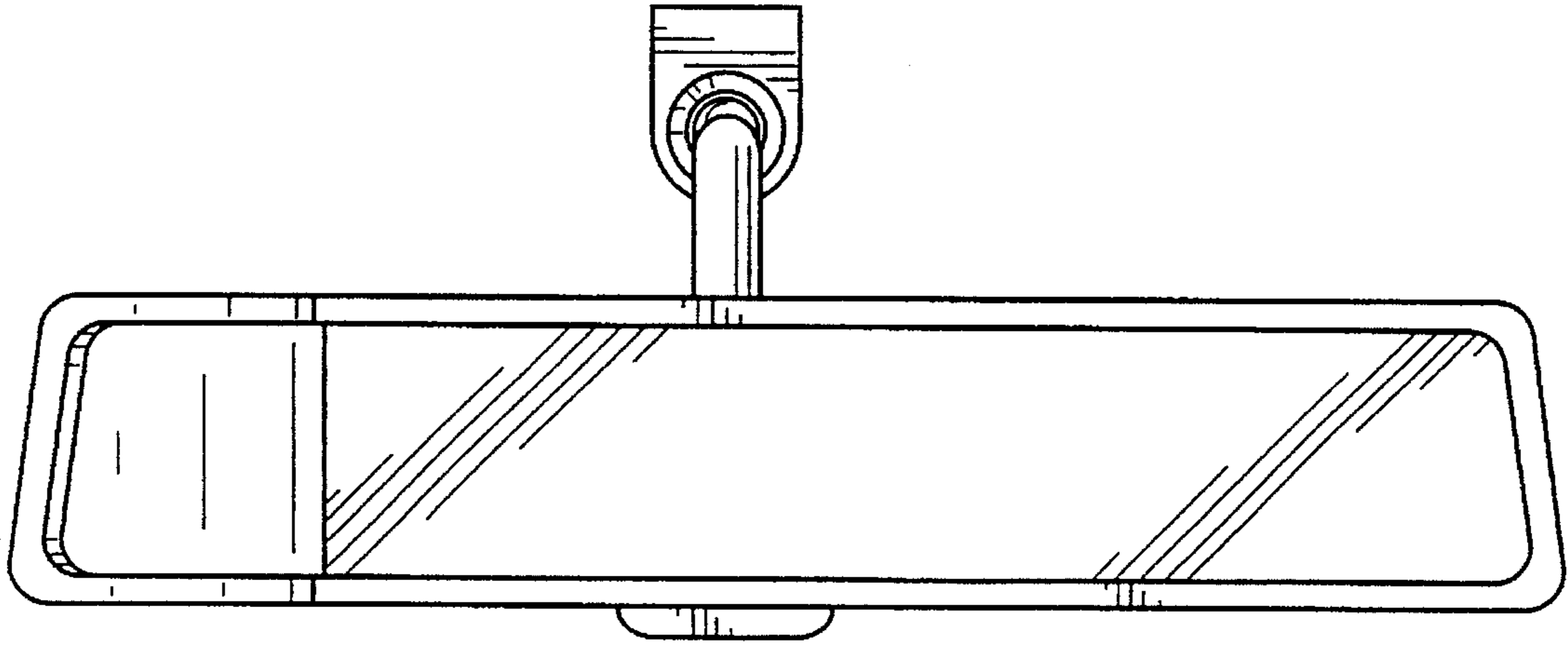


FIG. 2

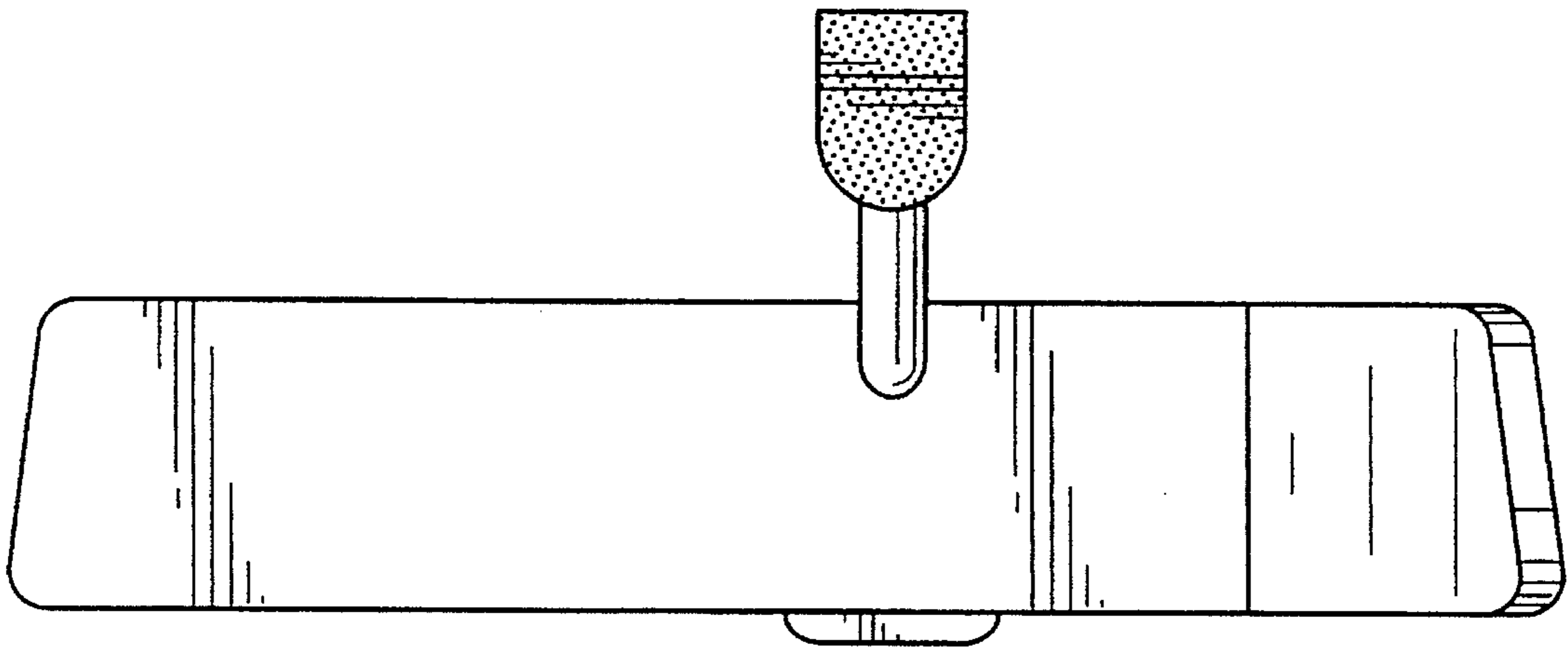


FIG. 3

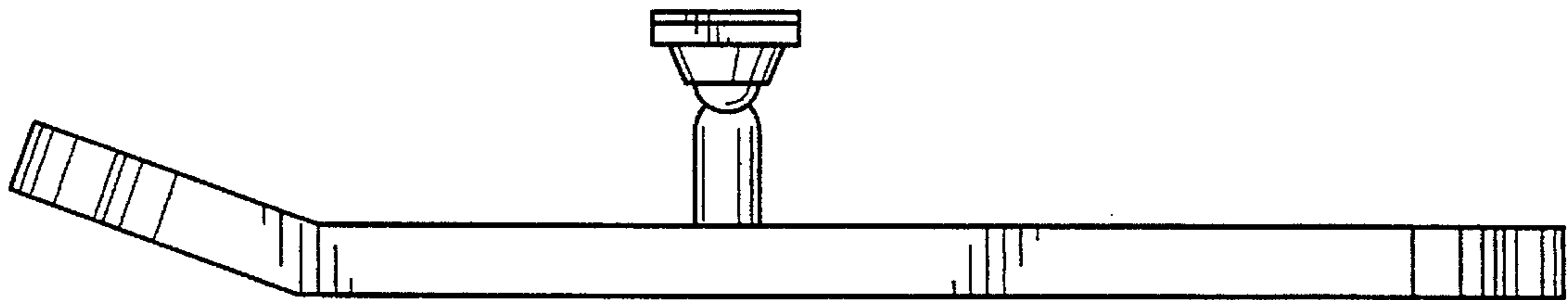
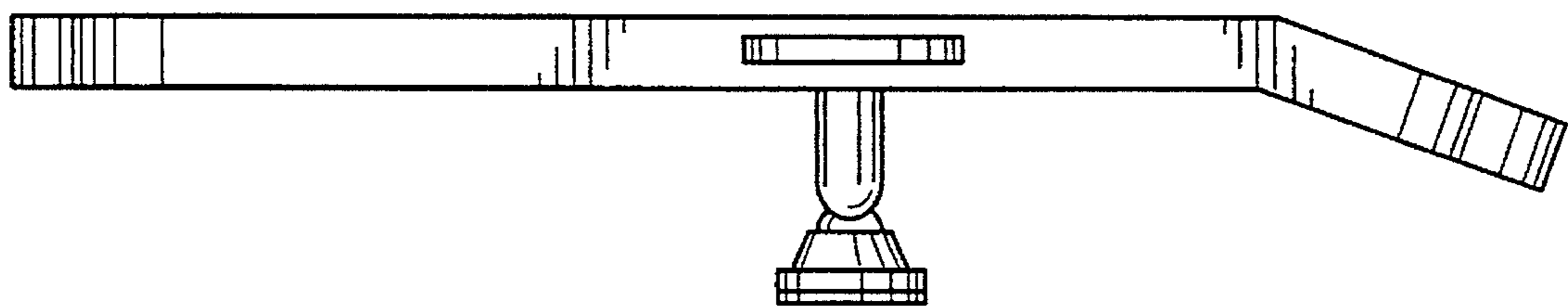


FIG. 4

FIG. 5



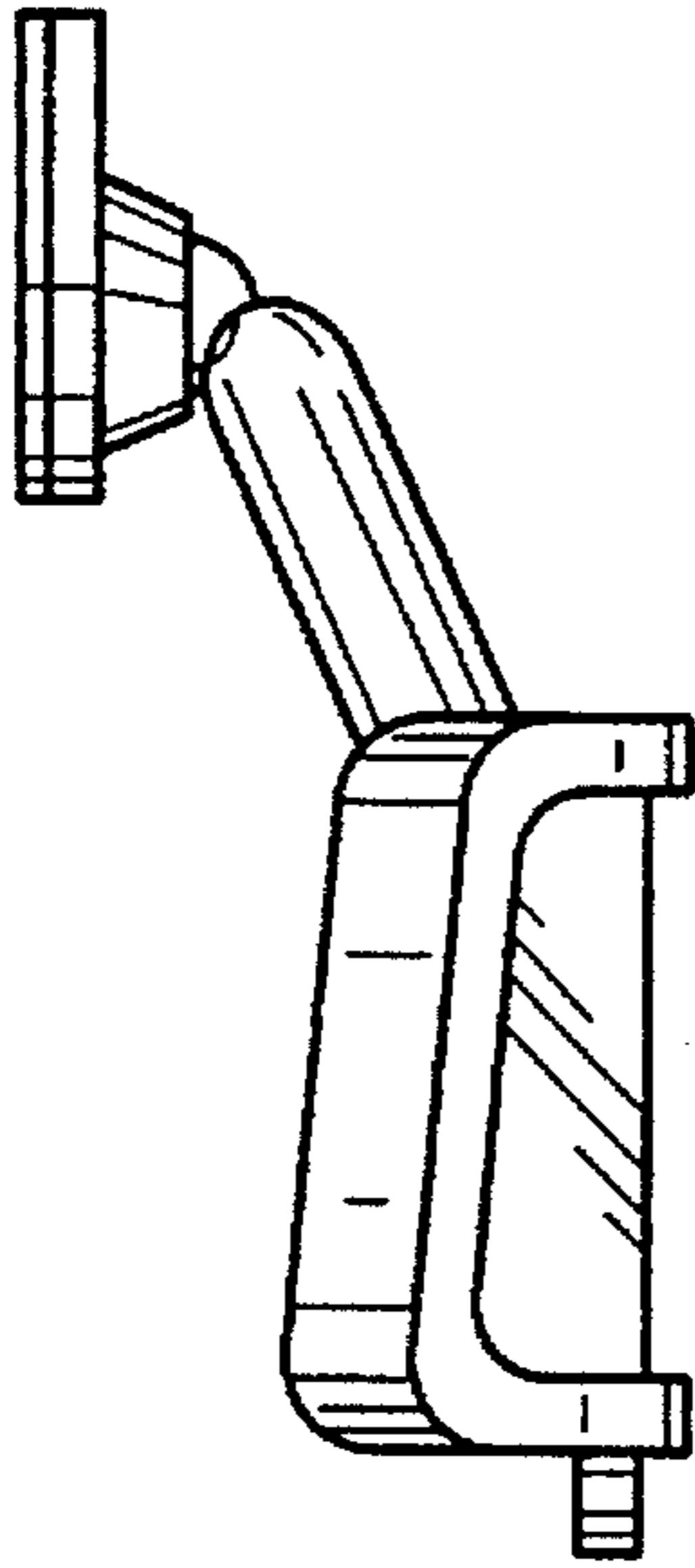


FIG. 6

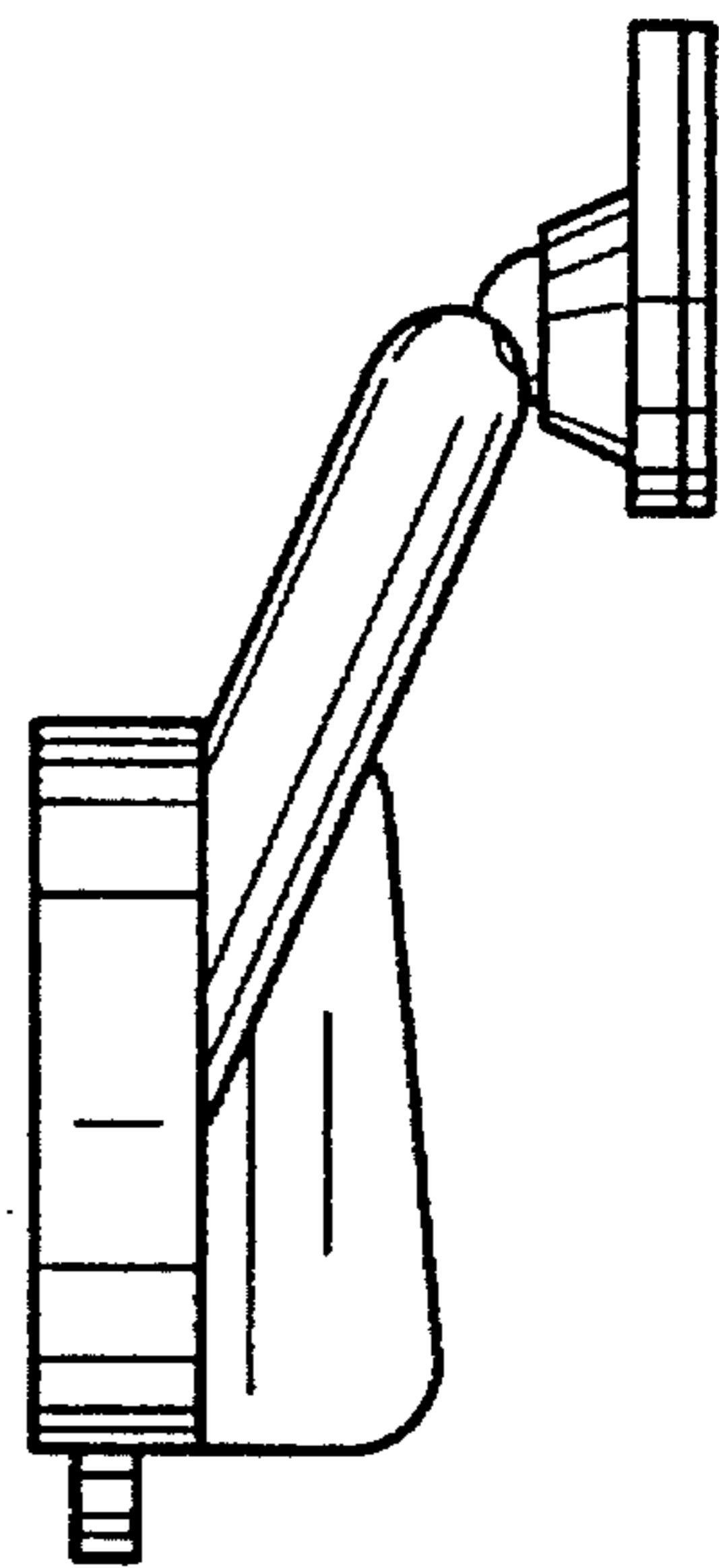


FIG. 7