



US00D375069S

United States Patent [19]

Yates et al.

[11] Patent Number: **Des. 375,069**

[45] Date of Patent: ****Oct. 29, 1996**

[54] **FLEXIBLE SUNSCREEN FOR VEHICLE WINDOWS**

5,064,239 11/1991 Folcik 296/97.7
5,183,094 2/1993 Montasham et al. 160/370.21

[76] Inventors: **William M. Yates; Donna L. Yates**,
both of 4865 Kennebeck Ave., Norfolk,
Va. 23513

Primary Examiner—A. Hugo Word
Assistant Examiner—Lavone D. Tabor
Attorney, Agent, or Firm—Dennis H. Lambert

[**] Term: **14 Years**

[57] **CLAIM**

[21] Appl. No.: **44,556**

The ornamental design for a flexible sunscreen for vehicle windows, as shown and described.

[22] Filed: **Sep. 26, 1995**

DESCRIPTION

[52] U.S. Cl. **D12/183; D12/401**

[58] Field of Search D12/183, 190,
D12/191, 401; 150/166; 160/370.21, DIG. 2,
DIG. 3; 296/95.1, 97.1, 97.2, 97.7-97.9

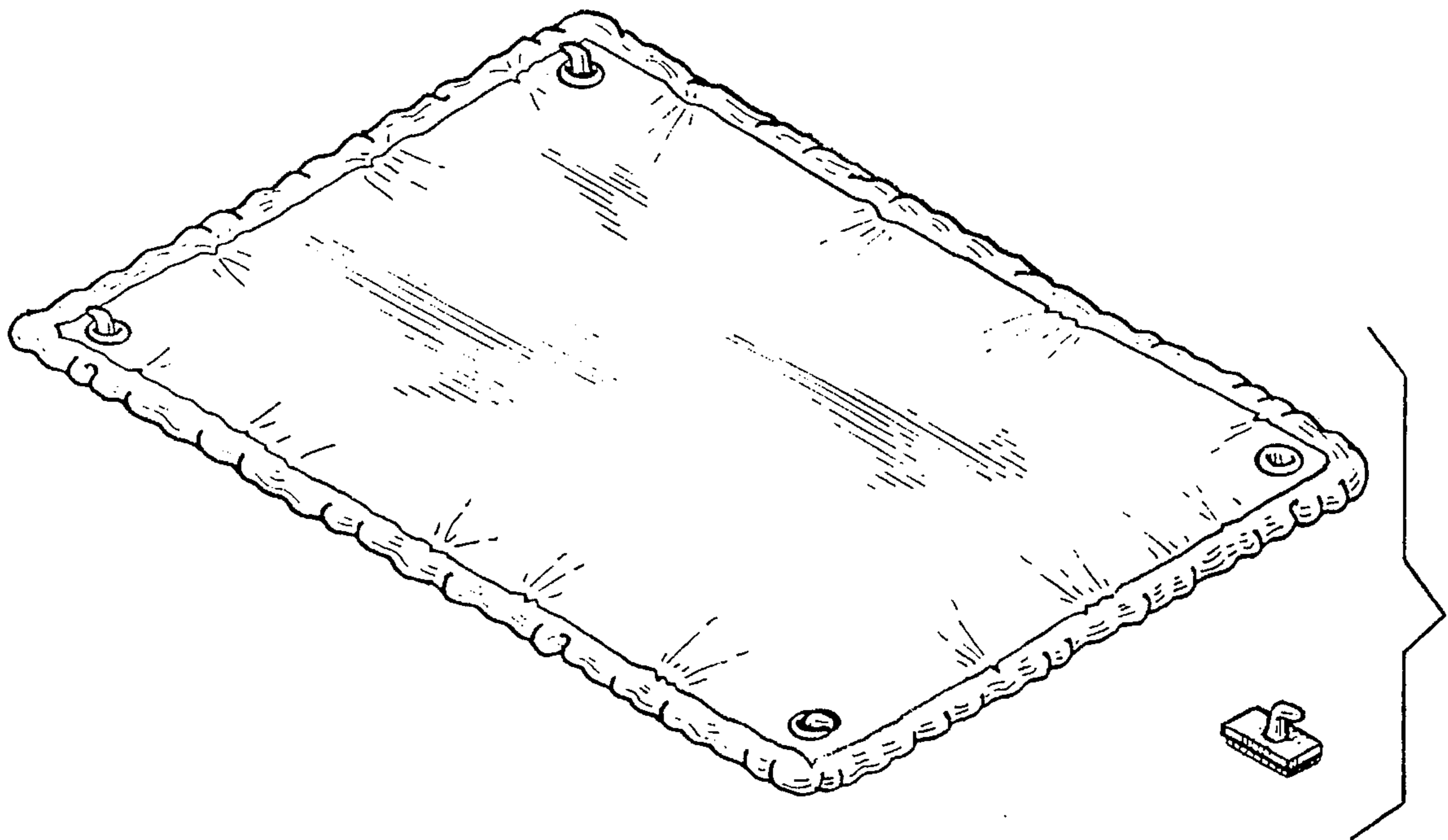
FIG. 1 is a partially exploded front, top and side perspective view of the flexible sunscreen for vehicle windows embodying the design of the present invention; FIG. 2 is an assembled front elevational view thereof, the rear being substantially identical thereto; FIG. 3 is a side elevational view thereof, the opposite side being substantially identical thereto; FIG. 4 is a top plan view thereof; and, FIG. 5 is a bottom plan view thereof.

[56] **References Cited**

U.S. PATENT DOCUMENTS

4,109,957 8/1978 Polizzi et al. .
4,560,245 12/1985 Sarver .
4,790,591 12/1988 Miller 160/370.21
4,862,943 9/1989 Shafia .

1 Claim, 3 Drawing Sheets



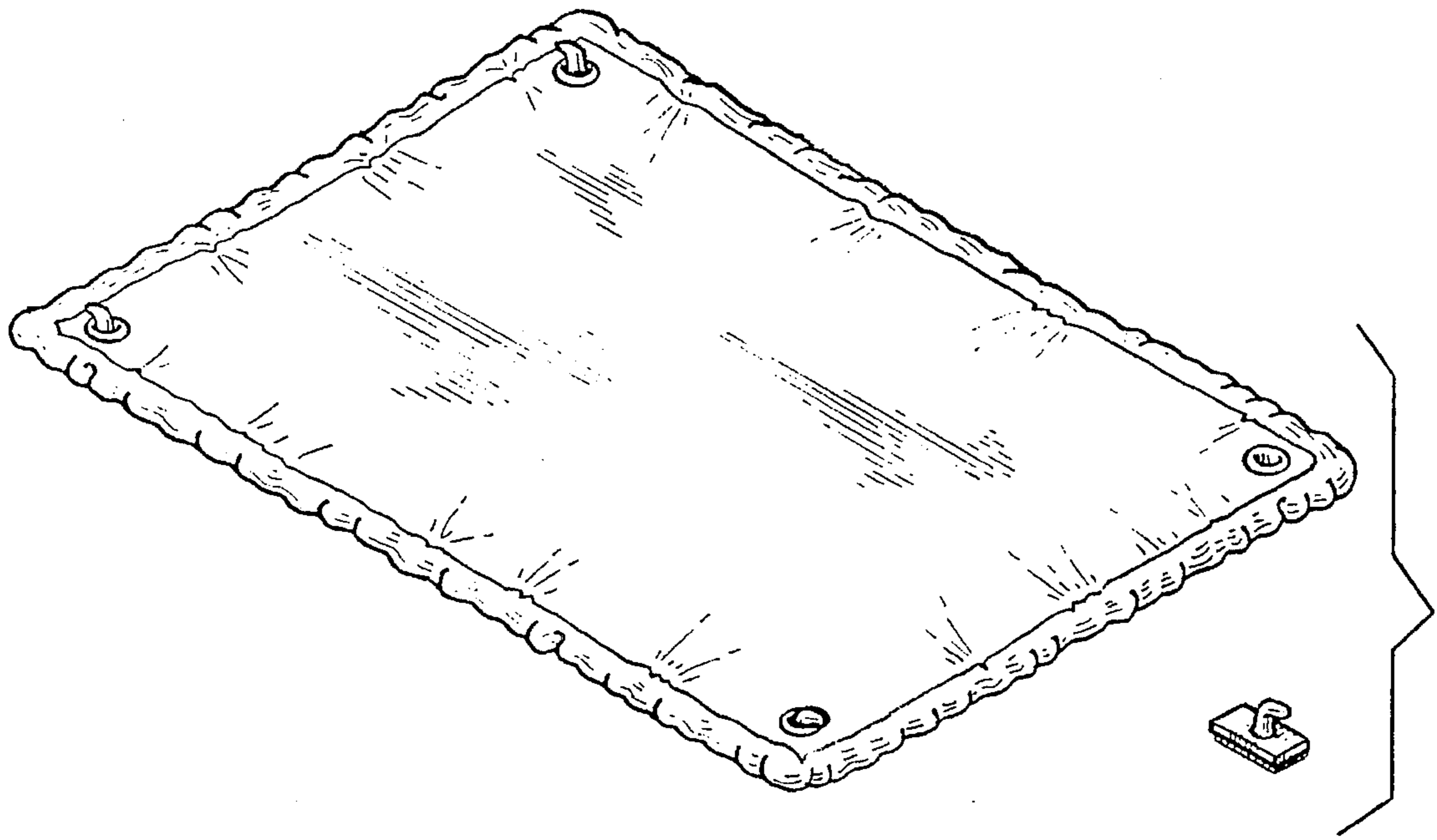


FIG. 1



FIG. 2



FIG. 3



FIG. 4

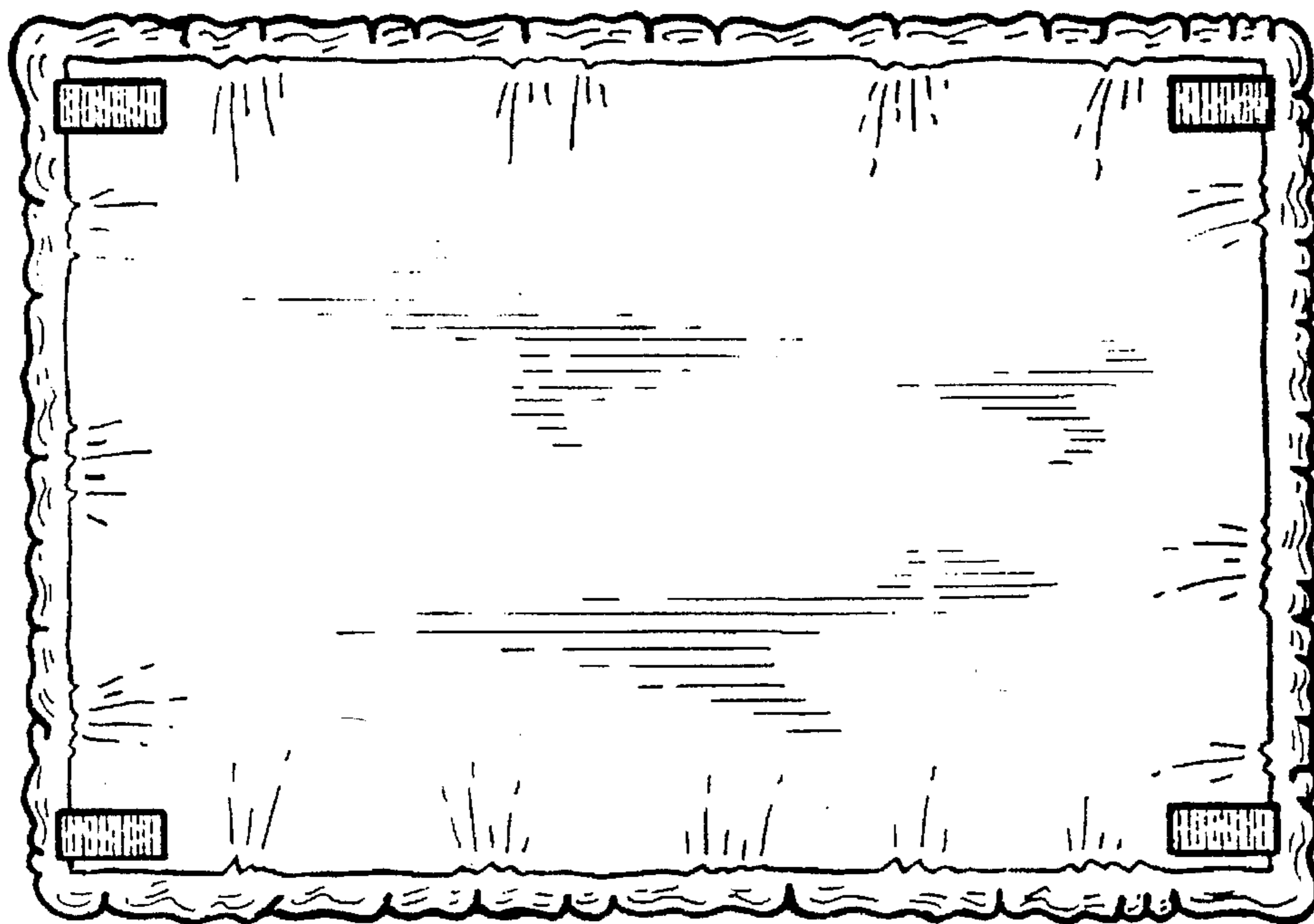


FIG. 5