



US00D375056S

United States Patent [19]

[11] Patent Number: Des. 375,056

Sewell et al.

[45] Date of Patent: **Oct. 29, 1996

[54] REPLACEABLE GAS ANALYZER

[57] CLAIM

[75] Inventors: Peter J. Sewell, Bordon; Uri Friedlander, London, both of England

The ornamental design for a replaceable gas analyzer, as shown and described.

[73] Assignee: Sensors, Inc., Saline, Mich.

DESCRIPTION

[**] Term: 14 Years

FIG. 1 is a perspective view from the top, rear, left side thereof;

[21] Appl. No.: 31,603

FIG. 2 is a perspective view from the top, front, right side thereof;

[22] Filed: Nov. 30, 1994

FIG. 3 is an elevational view from the left side thereof, the right elevational view being a mirror image of the view illustrated in FIG. 3;

[52] U.S. Cl. D10/96

FIG. 4 is a plan view from the top side thereof;

[58] Field of Search D10/96-97, 99, D10/102, 52; D23/200; 73/23.31-23.35, 23.36; 422/52; 436/172, 116

FIG. 5 is a plan view from the bottom side thereof;

FIG. 6 is an elevational view from the front thereof;

FIG. 7 is an elevational view from the rear thereof;

[56] References Cited

U.S. PATENT DOCUMENTS

D. 330,521	10/1992	Krolopp	D10/52
D. 362,811	10/1995	Capetanopolous et al.	D10/52
3,700,896	10/1972	Anderson et al.	23/232 R X
4,142,859	3/1979	Shaffer	23/232 R
4,190,368	2/1980	Etess	356/417

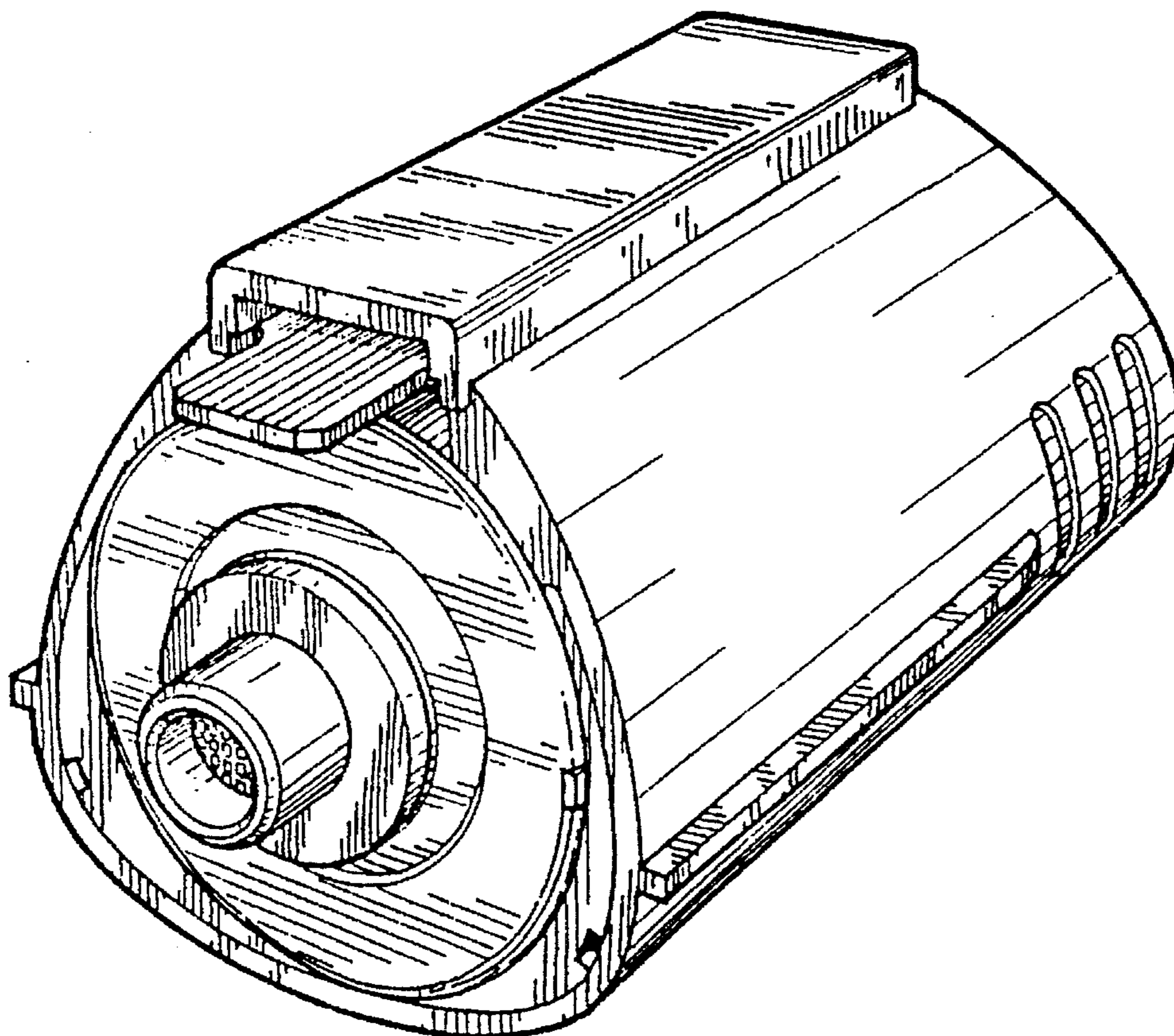
FIG. 8 is an exploded perspective view from the top, rear, left side thereof, illustrating the relationship between the replaceable gas analyzer and a stationary manifold, it being understood that the broken line showing of environment is for illustrative purposes only and forms no part of the claimed design;

FIG. 9 is an elevational view from the left side thereof, illustrating a replaceable gas analyzer with a stationary manifold; and,

FIG. 10 is the same view as FIG. 9 with the replaceable gas analyzer separated from the stationary manifold.

Primary Examiner—B. J. Bullock
Assistant Examiner—Stacia Sinuik
Attorney, Agent, or Firm—Van Dyke, Gardner, Linn & Burkhardt, LLP

1 Claim, 3 Drawing Sheets



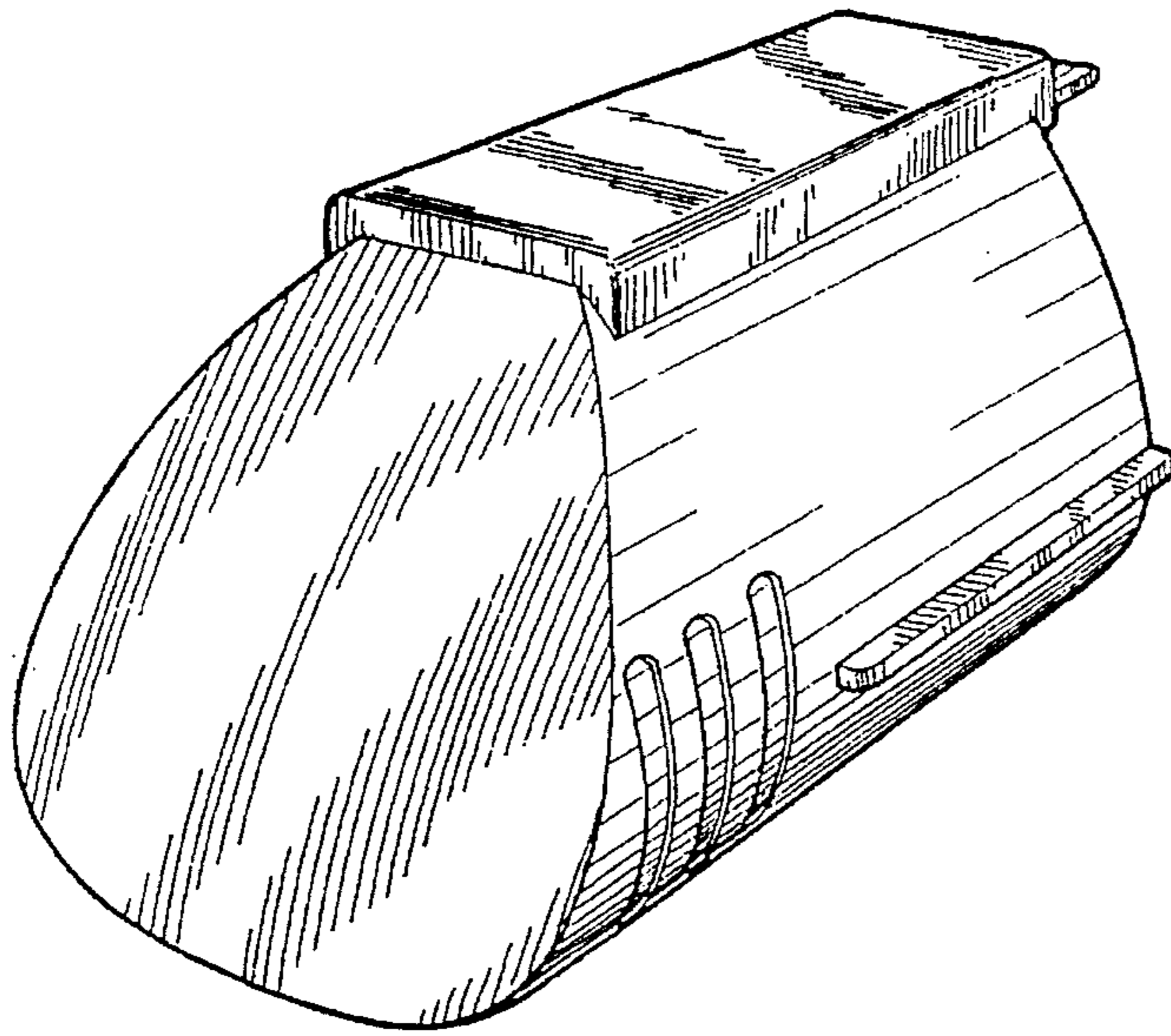


FIG. 1

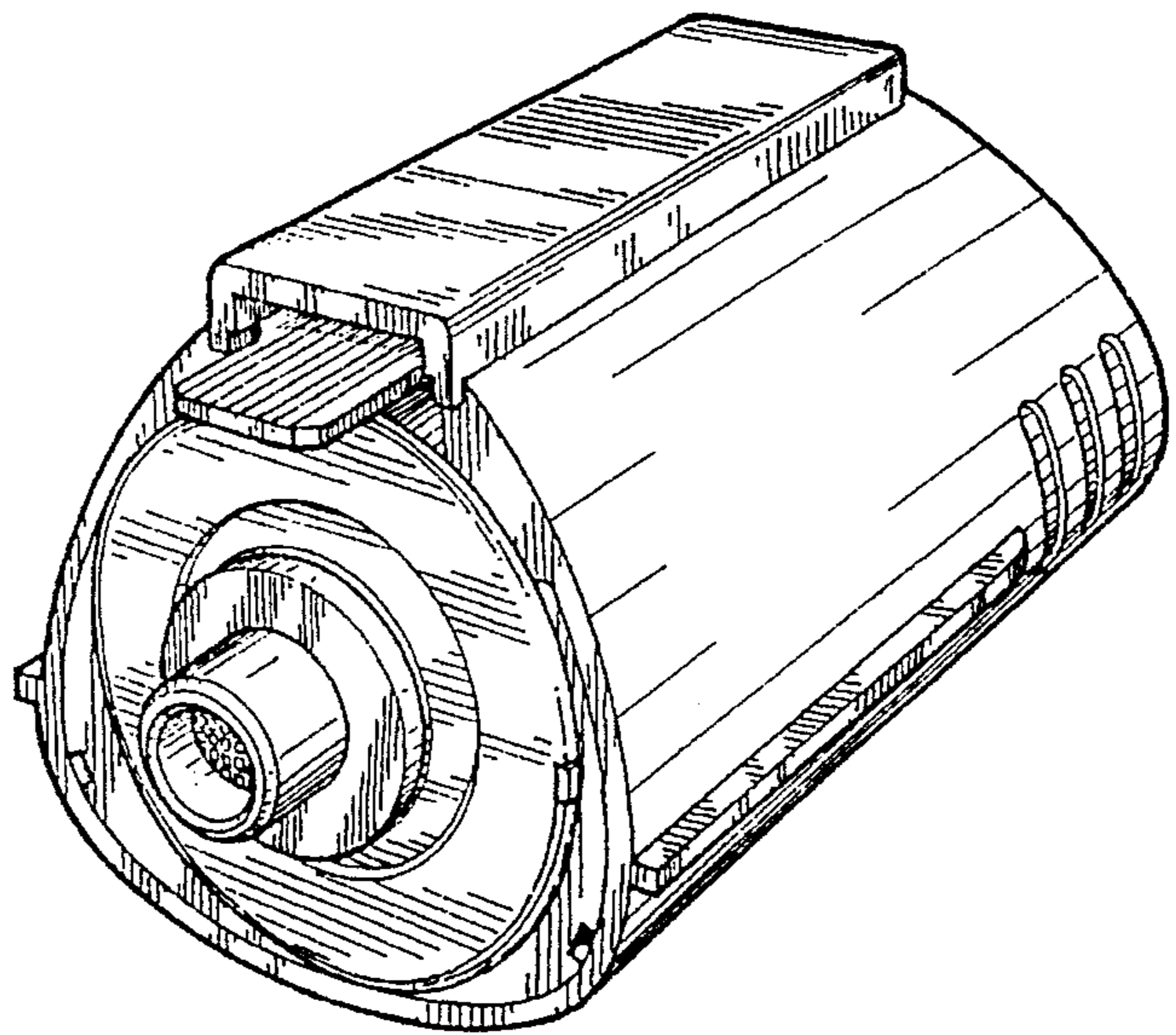


FIG. 2

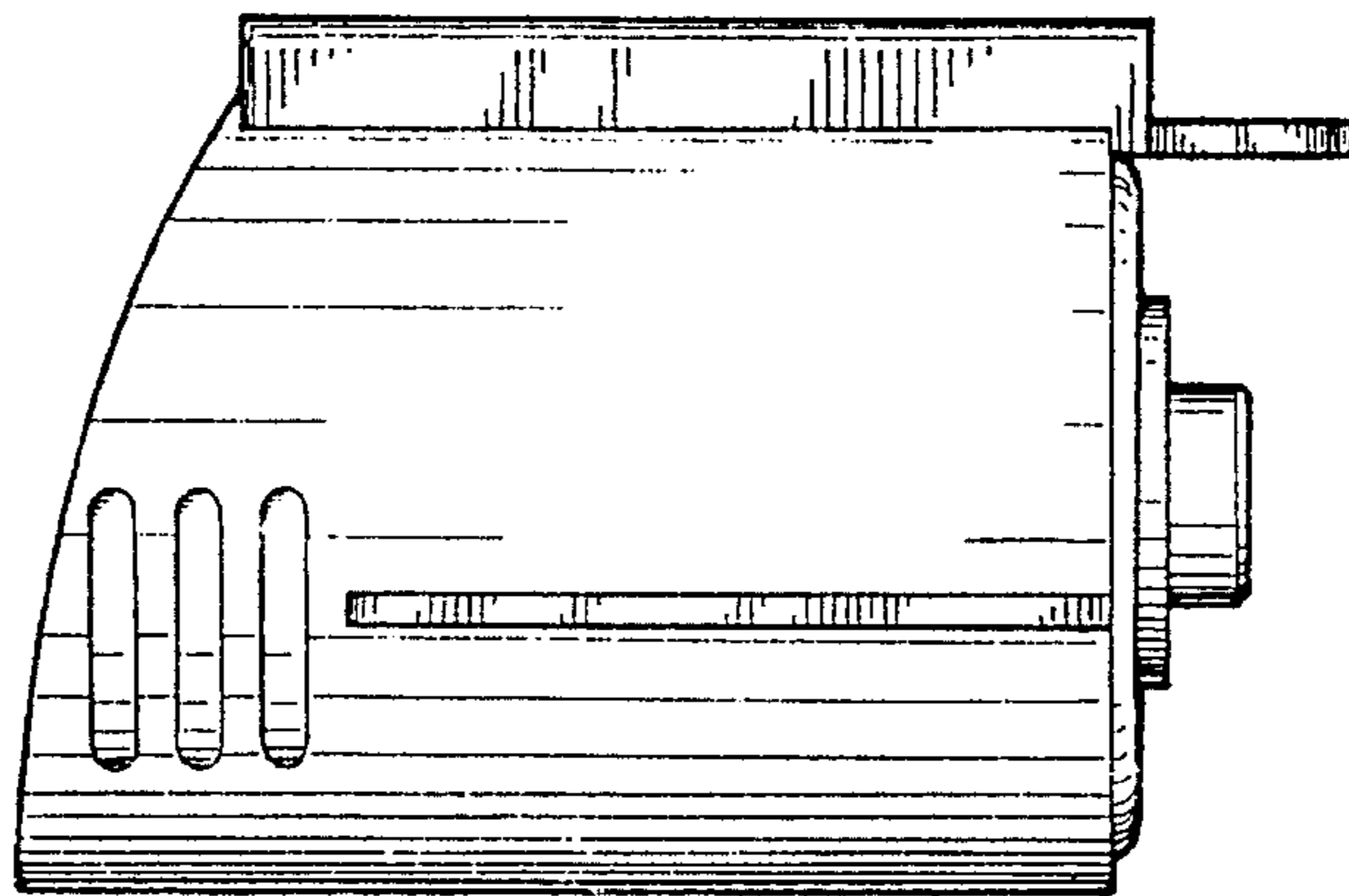


FIG. 3

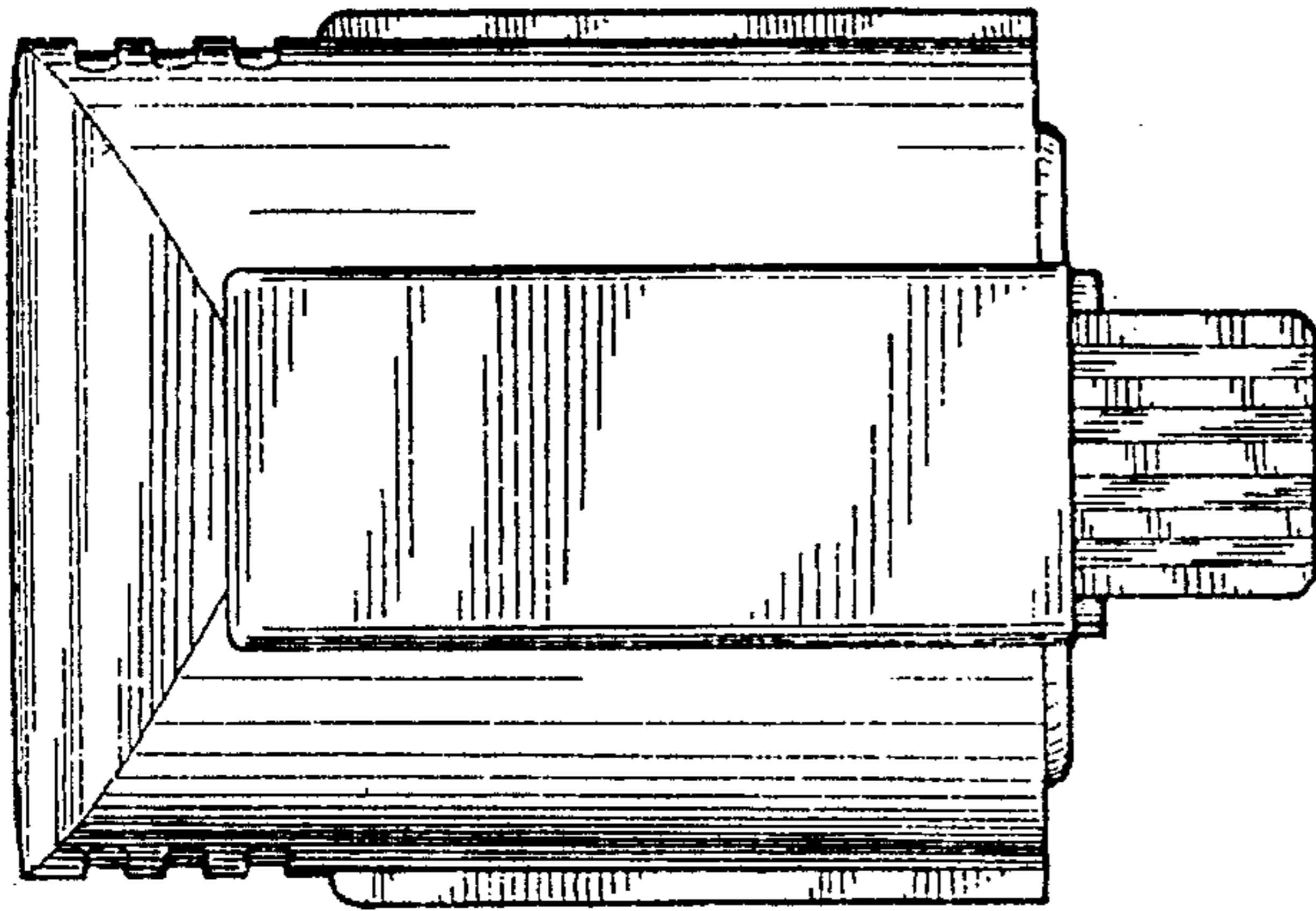


FIG. 4

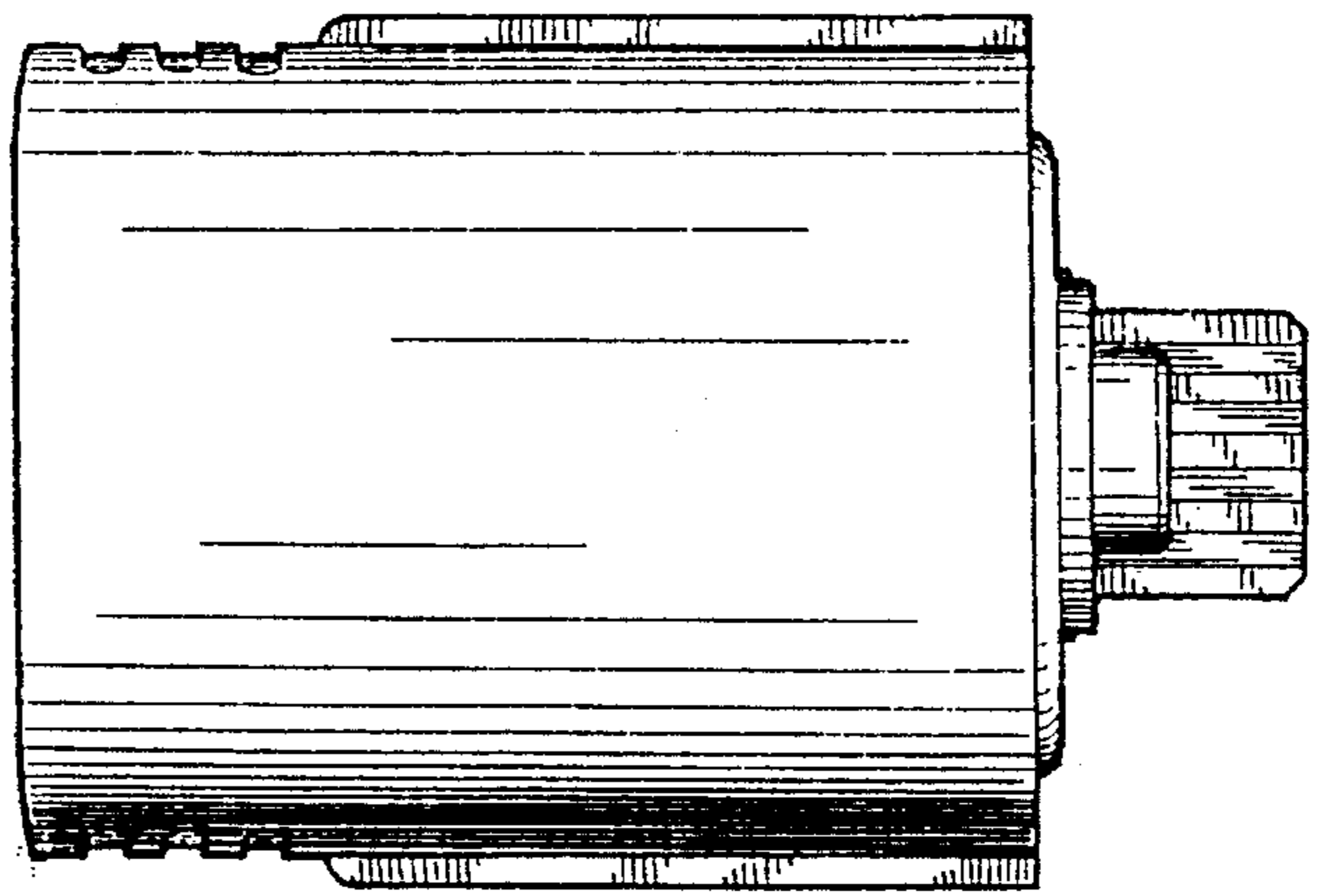


FIG. 5

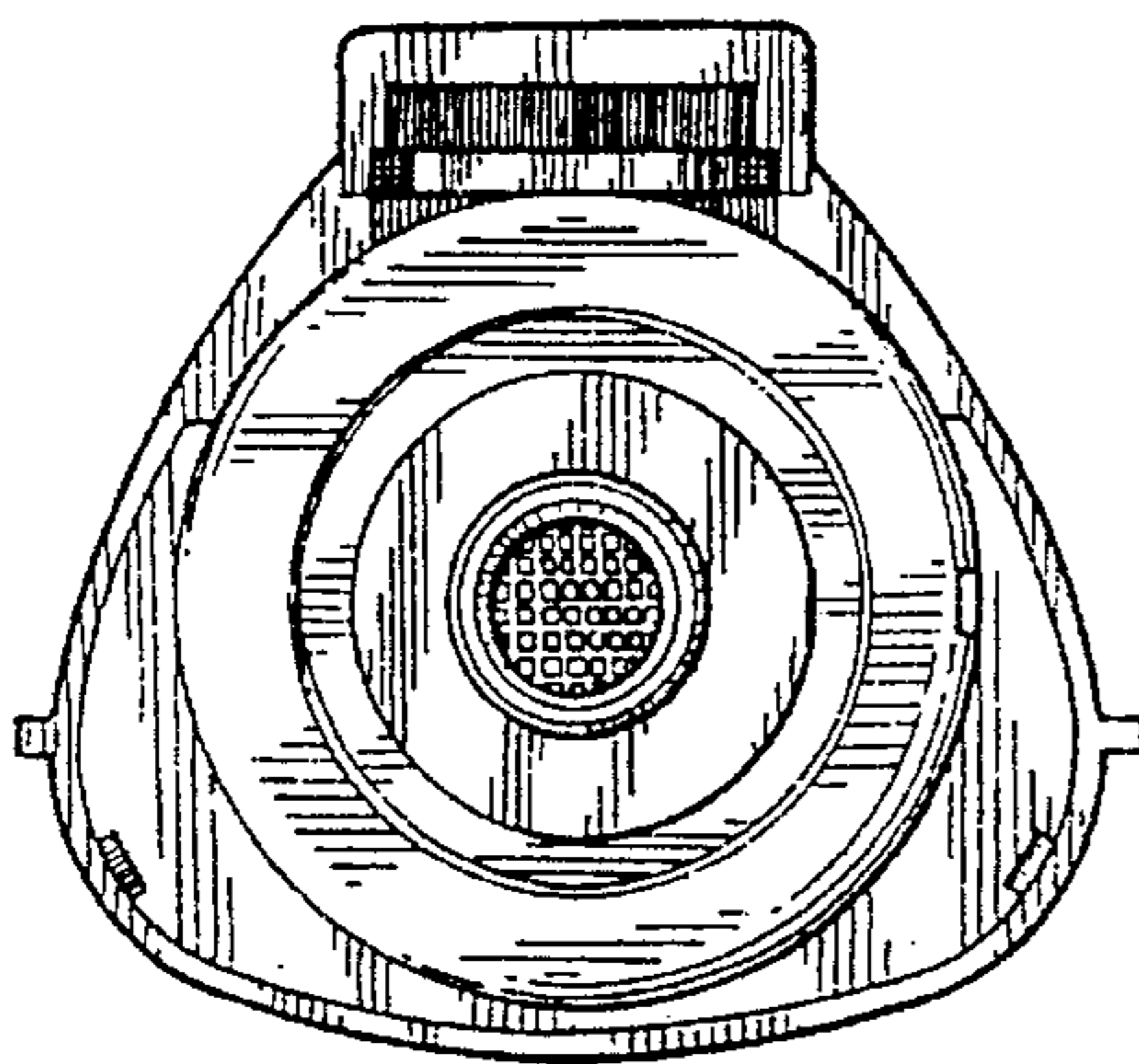


FIG. 6

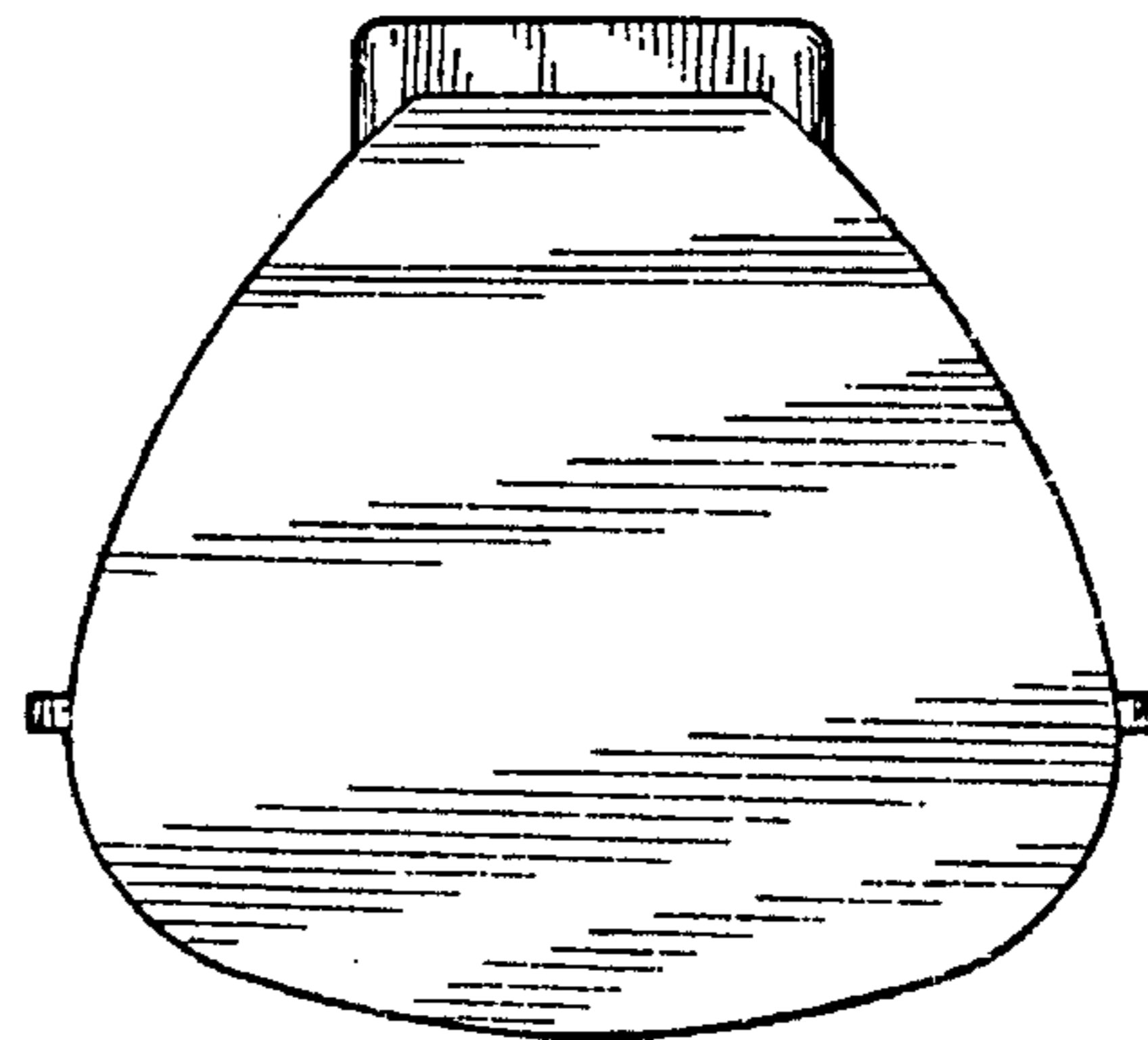


FIG. 7

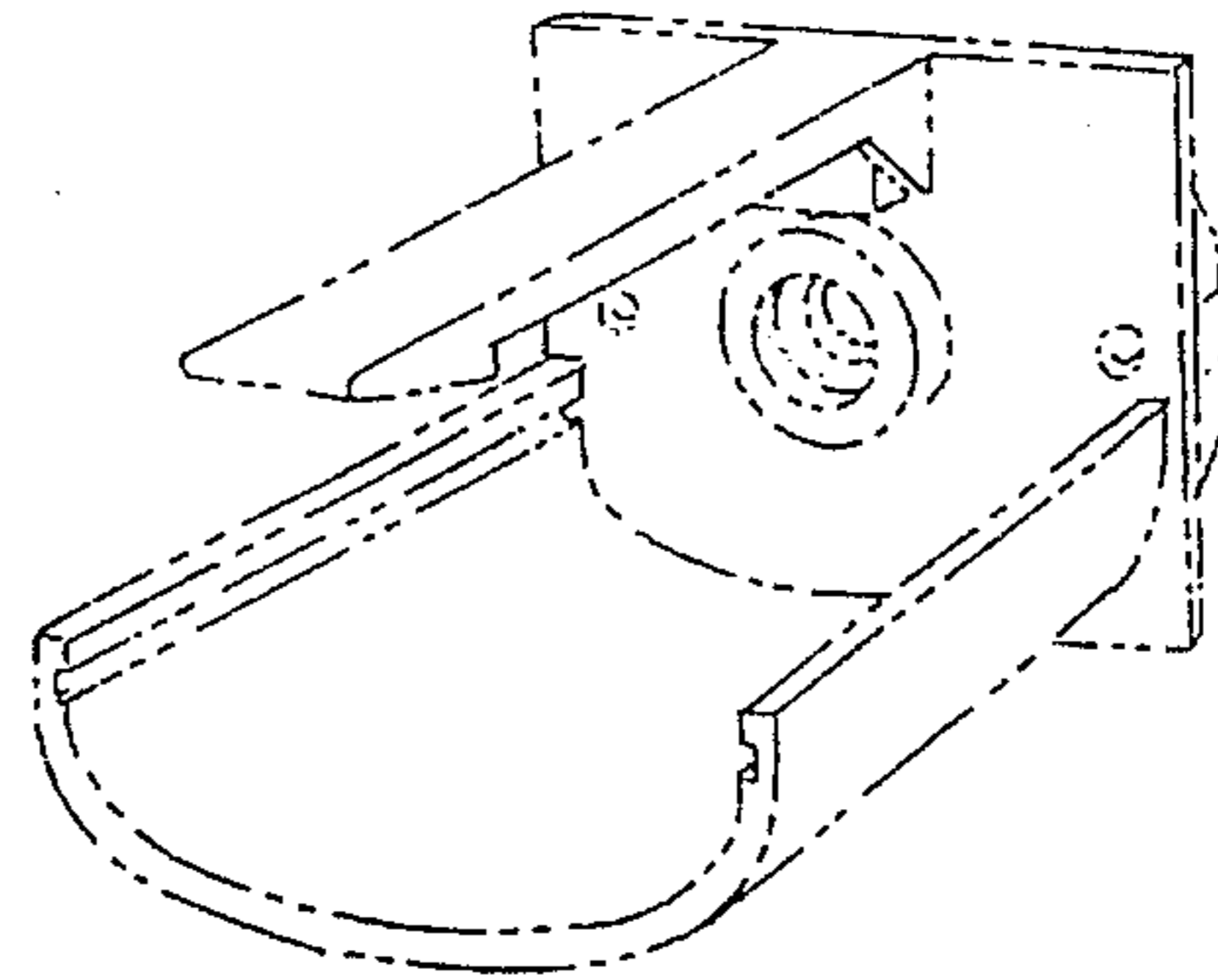
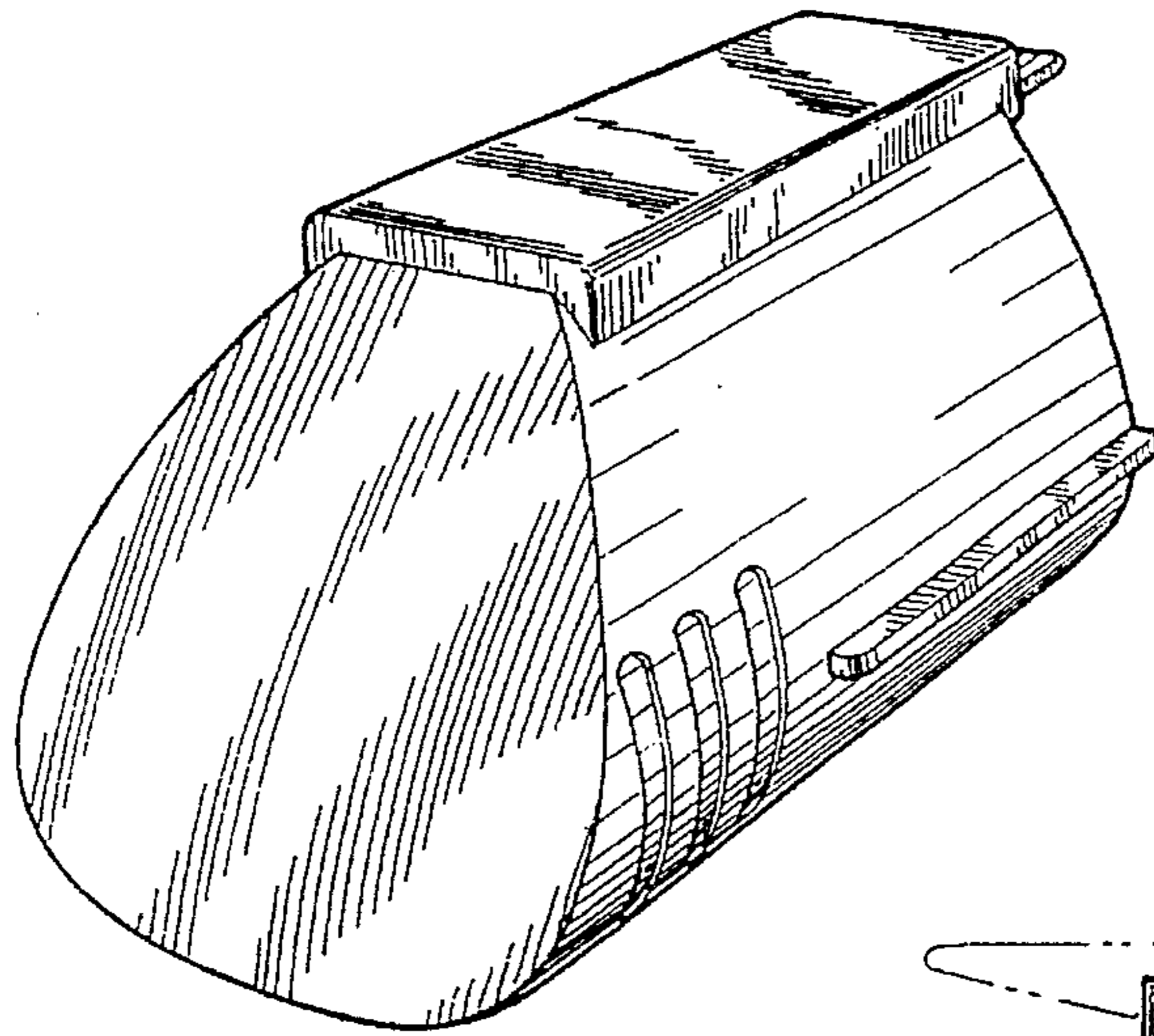


FIG. 8

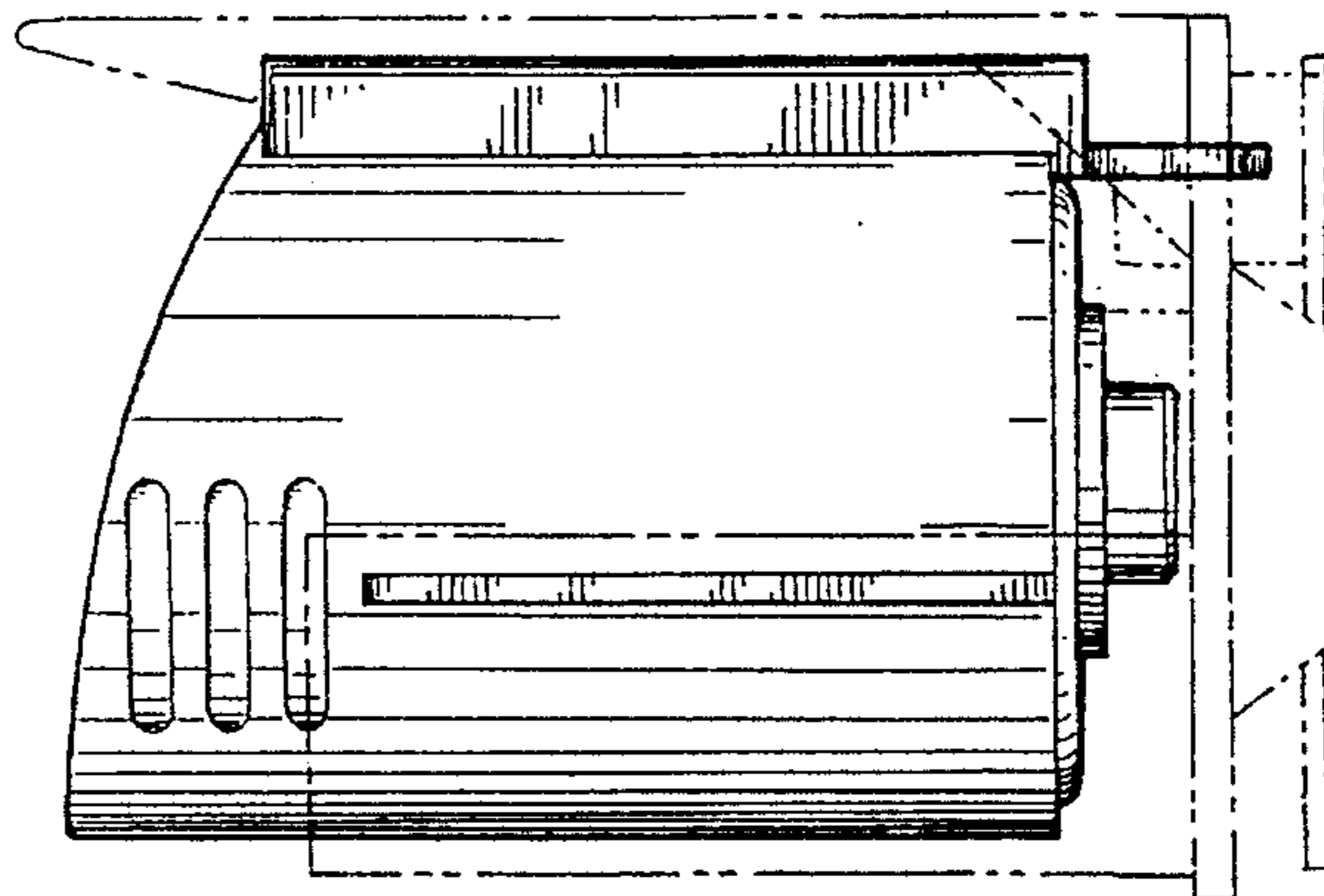


FIG. 9

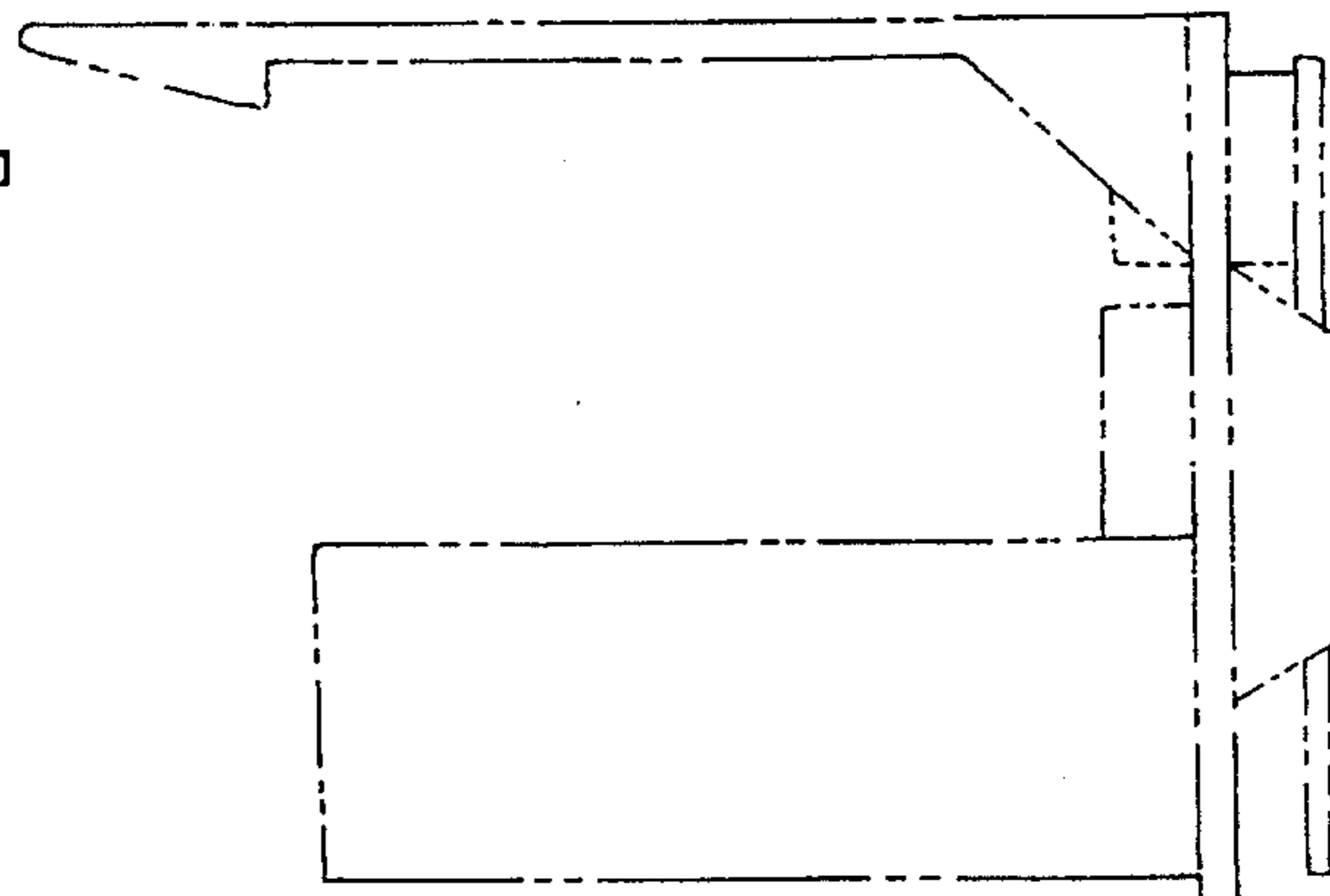
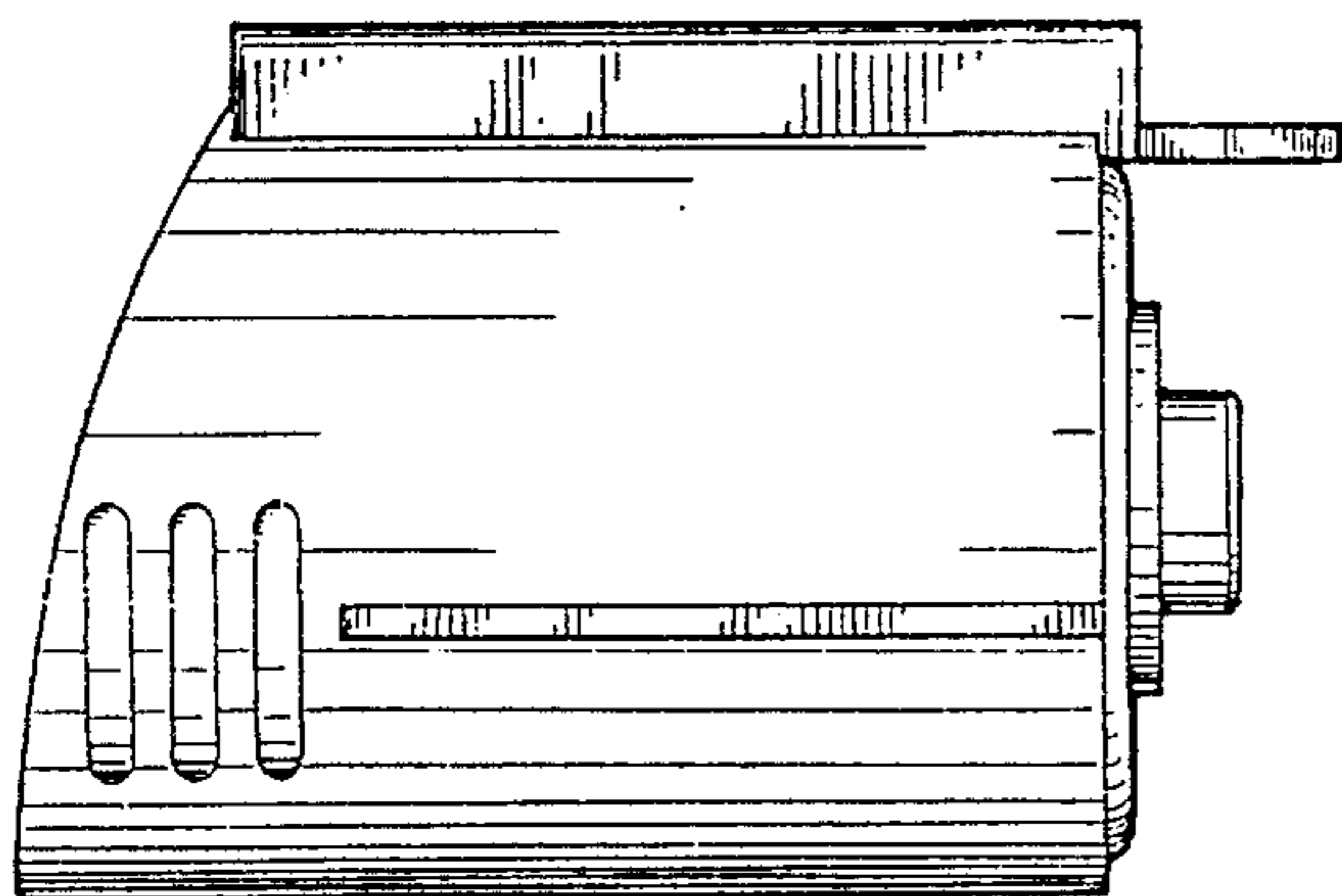


FIG. 10