



US00D375053S

# United States Patent [19]

Voegeli

[11] Patent Number: **Des. 375,053**

[45] Date of Patent: **\*\*Oct. 29, 1996**

[54] **SQUARE WATCH CASE**

1,731,712 10/1929 Davis ..... D11/2 X  
3,395,531 8/1968 Caprara ..... 368/295 X

[76] Inventor: **Michel Voegeli**, 5, rue Centrale, 1247 Anieres, Switzerland

### OTHER PUBLICATIONS

Sheffield Catalog; p. 24; Watch #15/8202 bottom right.

[\*\*] Term: **14 Years**

*Primary Examiner*—James M. Gandy

[21] Appl. No.: **41,545**

*Assistant Examiner*—Caron D. Veynar

[22] Filed: **Jul. 17, 1995**

*Attorney, Agent, or Firm*—Amster, Rothstein & Ebenstein

### [30] Foreign Application Priority Data

### [57] CLAIM

Jan. 16, 1995 [CH] Switzerland ..... 121965

The ornamental design for a square watch case, as shown and described.

[52] U.S. Cl. .... **D10/30**

[58] Field of Search ..... D10/30, 32, 38, D10/39, 122, 123, 125, 132; 368/276, 278, 280-282, 285, 295; D11/2

### DESCRIPTION

### [56] References Cited

#### U.S. PATENT DOCUMENTS

D. 80,307 1/1930 Conant ..... D10/38  
D. 164,830 10/1951 Warren ..... D10/39  
D. 329,612 9/1992 Hysek ..... D10/30 X  
D. 351,799 10/1994 Bulgari ..... D10/39  
1,672,183 6/1928 Wadsworth ..... 368/295

FIG. 1 is a top plan view of a square watch case, showing my new design;  
FIG. 2 is a right side view thereof;  
FIG. 3 is a left side view thereof;  
FIG. 4 is a bottom plan view thereof;  
FIG. 5 is a top elevational view;  
FIG. 6 is a bottom elevational view thereof; and,  
FIG. 7 is a top right-side perspective view thereof.

**1 Claim, 2 Drawing Sheets**

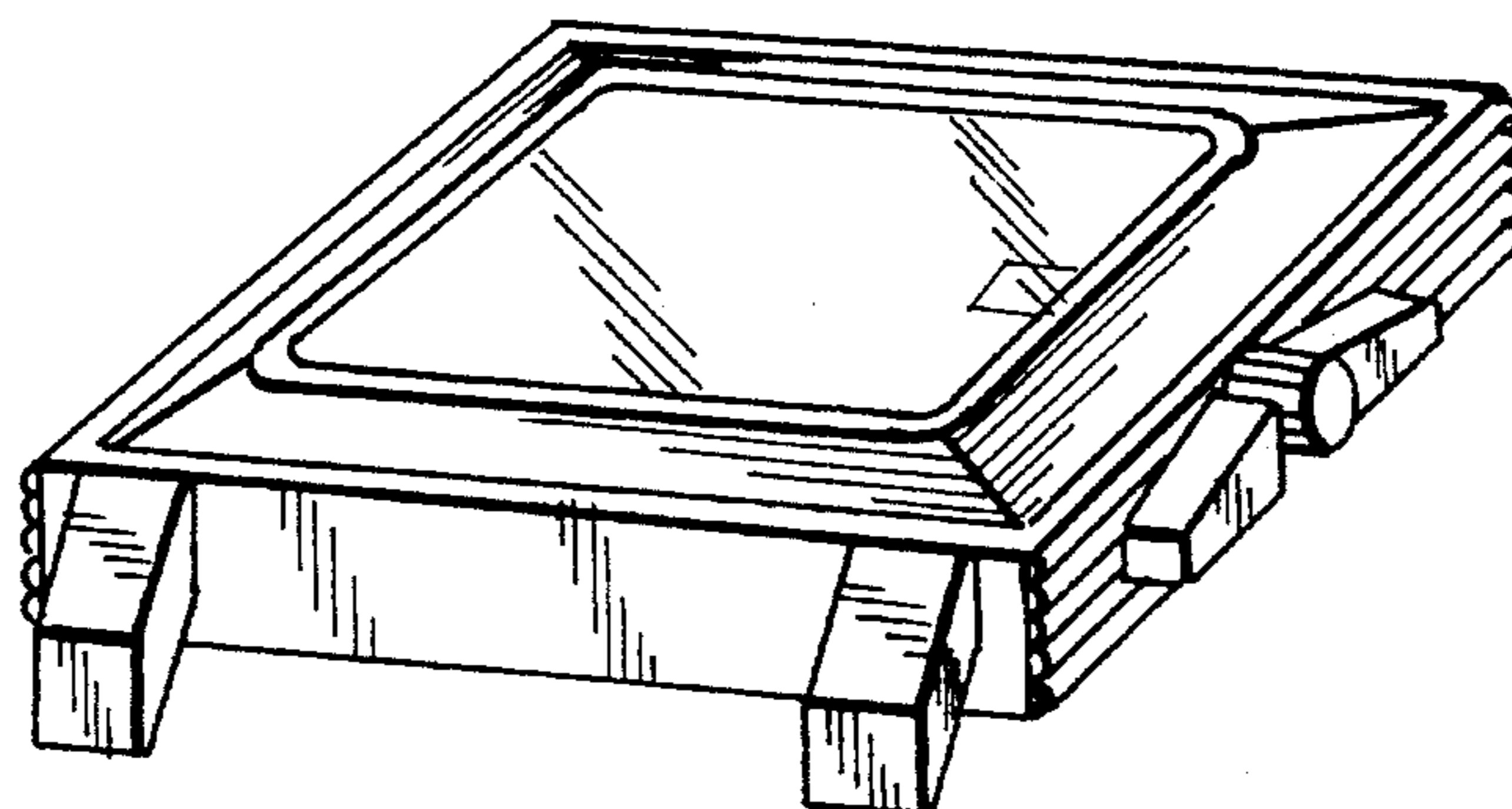
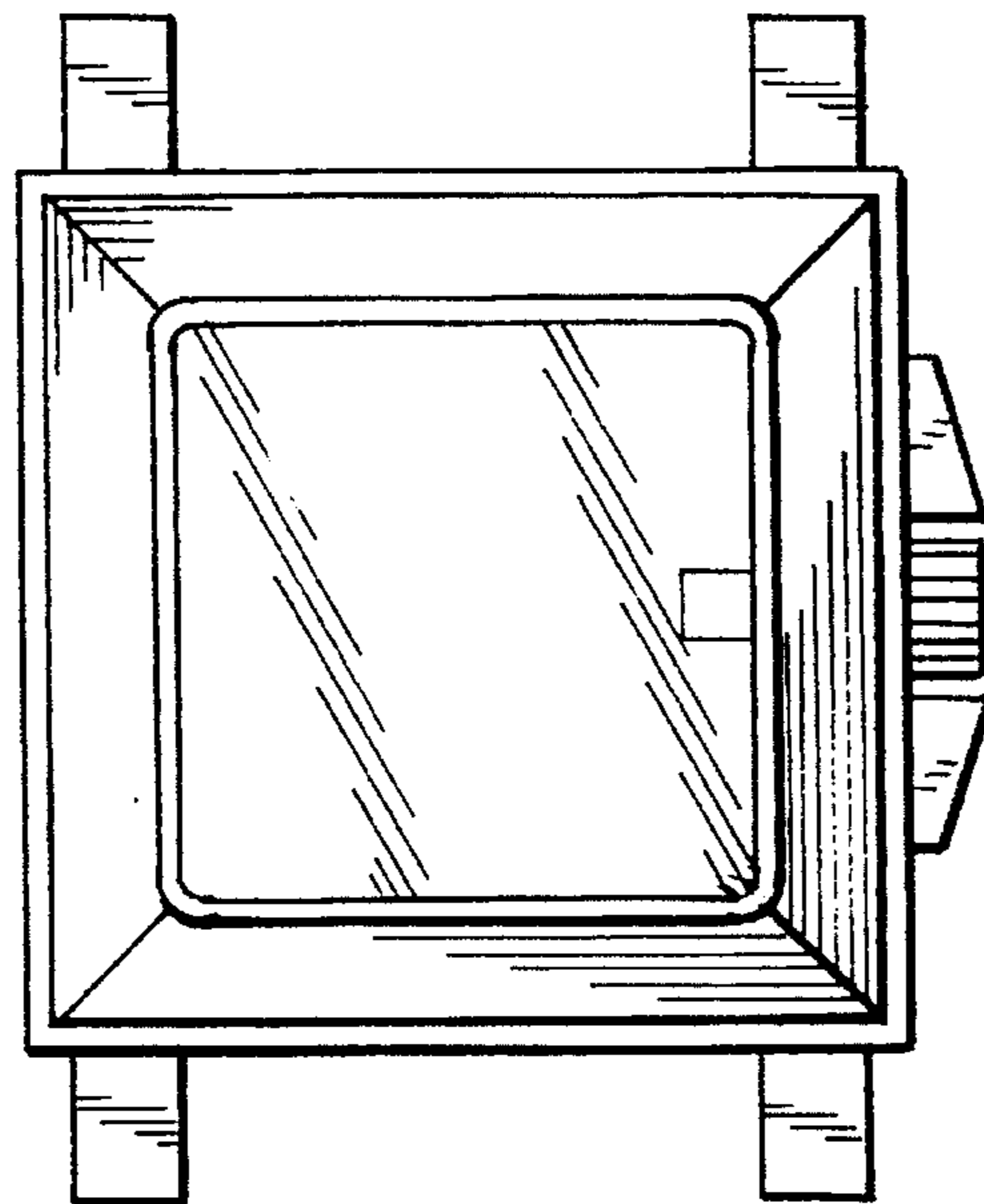


FIG. 5

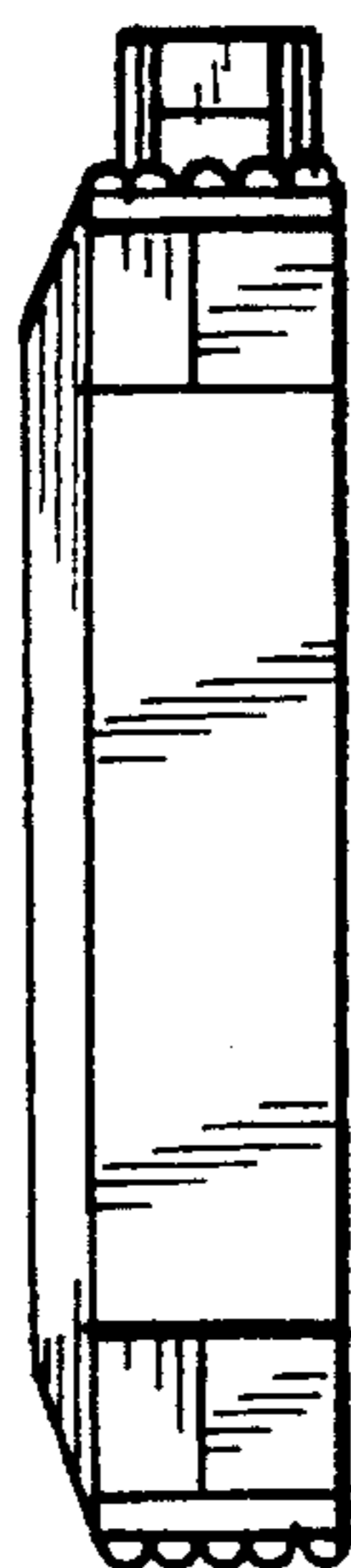


FIG. 3

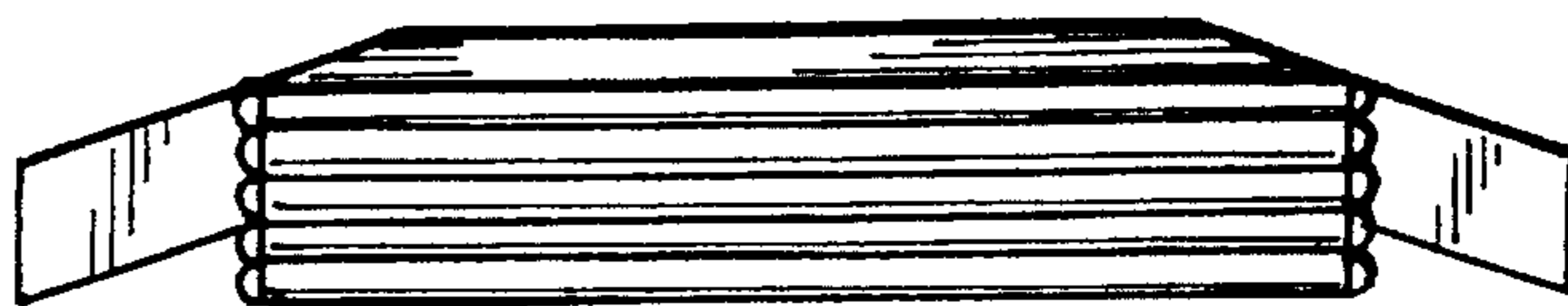


FIG. 1

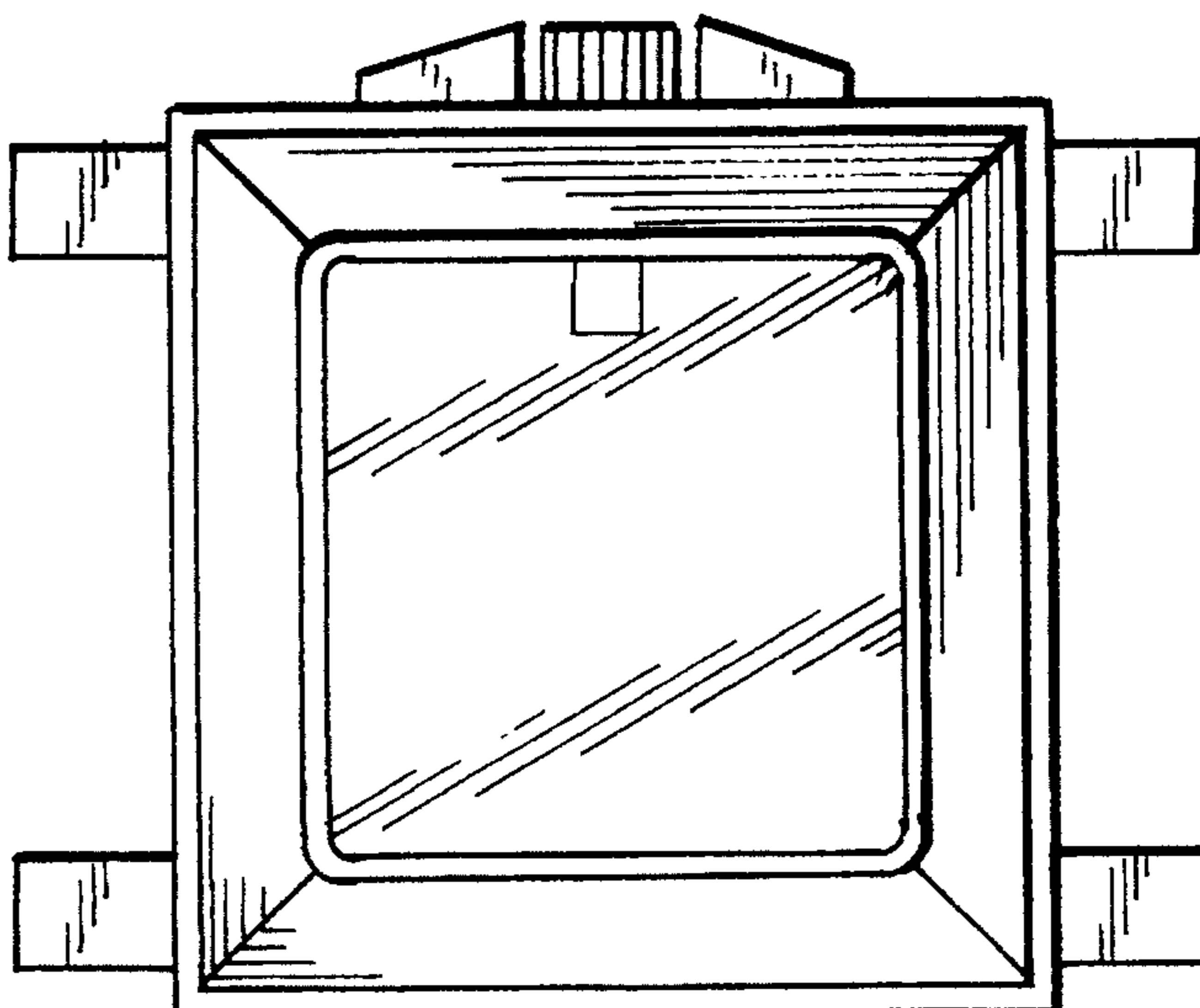


FIG. 2



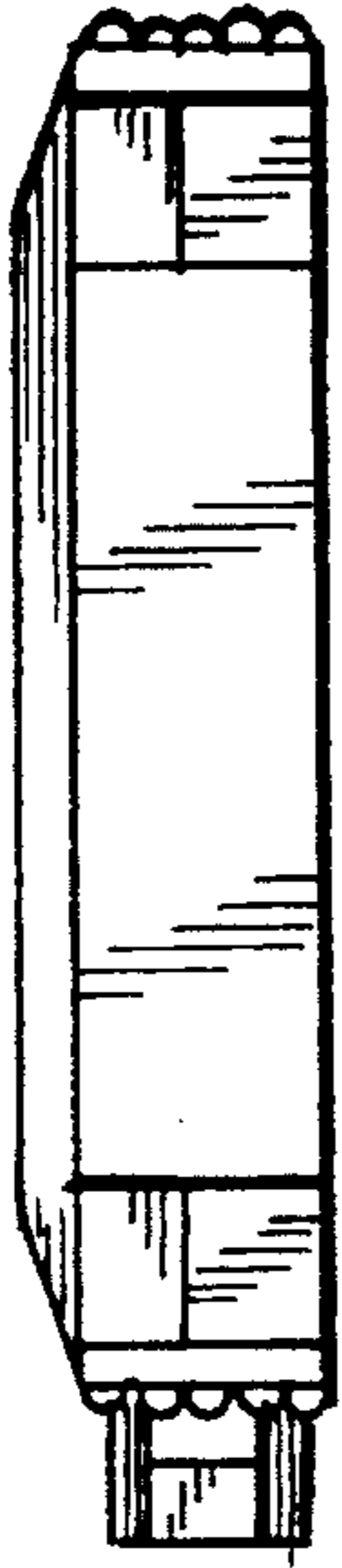


FIG. 6

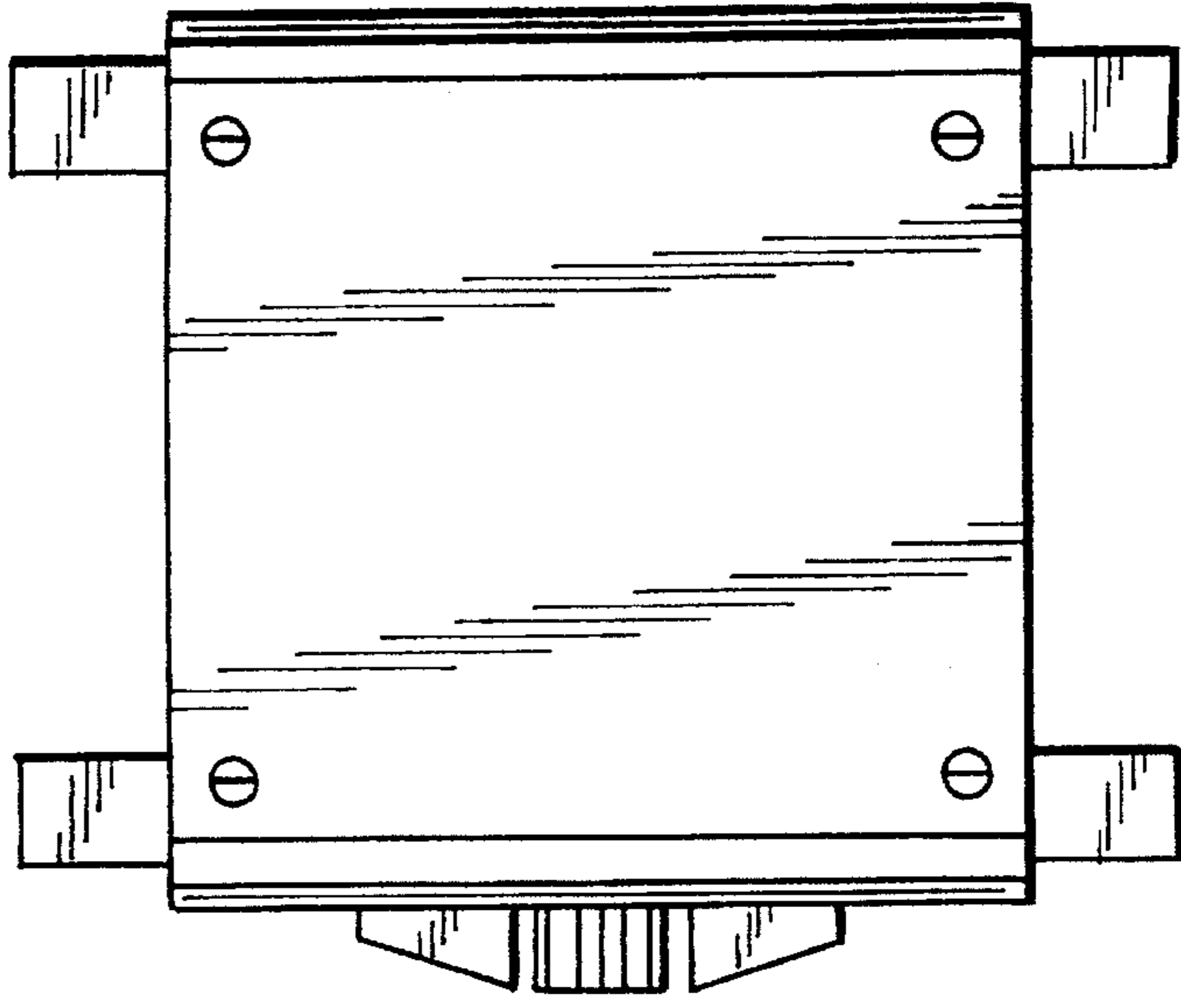


FIG. 4

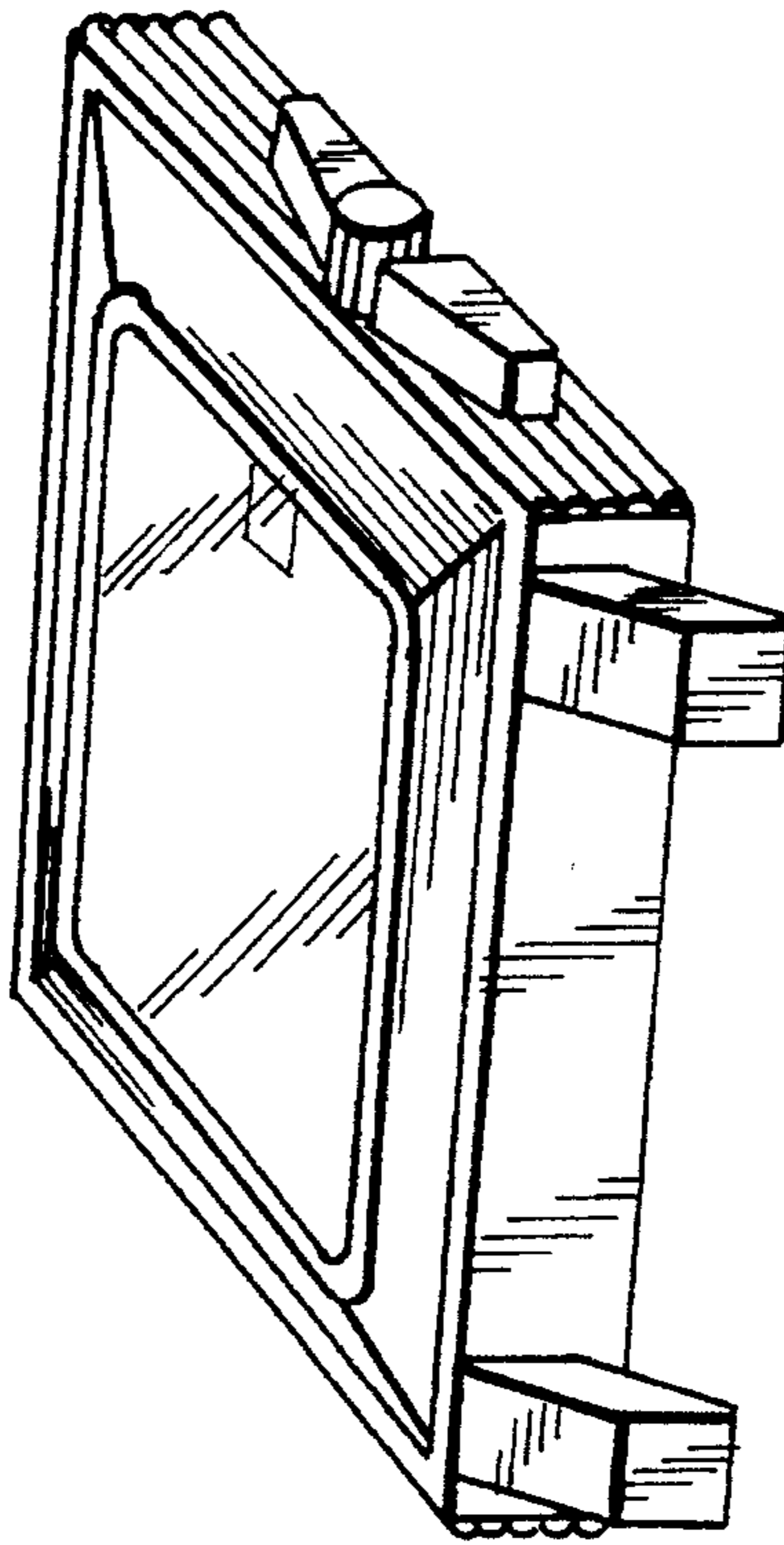


FIG. 7