



US00D375045S

United States Patent [19]

[11] Patent Number: **Des. 375,045**

Weber et al.

[45] Date of Patent: ***** Oct. 29, 1996**

[54] **BAG CLIP WITH PIVOT END**

[76] Inventors: **Desna V. Weber; Thomas B. Oates**,
both of 2 Old Sound Rd., Joppa, Md.
21085

[*] Notice: The portion of the term of this patent
subsequent to Aug. 13, 2010, has been
disclaimed.

[**] Term: **14 Years**

[21] Appl. No.: **34,210**

[22] Filed: **Jan. 30, 1995**

[52] U.S. Cl. **D9/443; D9/434**

[58] Field of Search D3/315; D7/393,
D7/394; D8/90; D9/434, 435, 455, 499;
D99/34; 220/752; 383/13, 63, 64, 68, 69

3,141,221	7/1964	Fauls, Jr.	383/69
3,266,711	8/1966	Song	383/13
3,381,883	5/1968	Harris	D9/434
3,707,271	12/1972	Sanchez et al.	383/68
3,841,478	10/1974	Wells et al.	383/23
4,871,264	10/1989	Robbins, III et al.	383/68
4,986,000	1/1991	Mills	383/68
5,226,734	7/1993	Scott et al.	383/63
5,354,132	10/1994	Young et al.	383/63

Primary Examiner—Alan P. Douglas
Assistant Examiner—Robert M. Spear
Attorney, Agent, or Firm—Walter G. Finch; Nancy A. Smith

[57] CLAIM

The ornamental design for a bag clip with pivot end, as shown and described.

DESCRIPTION

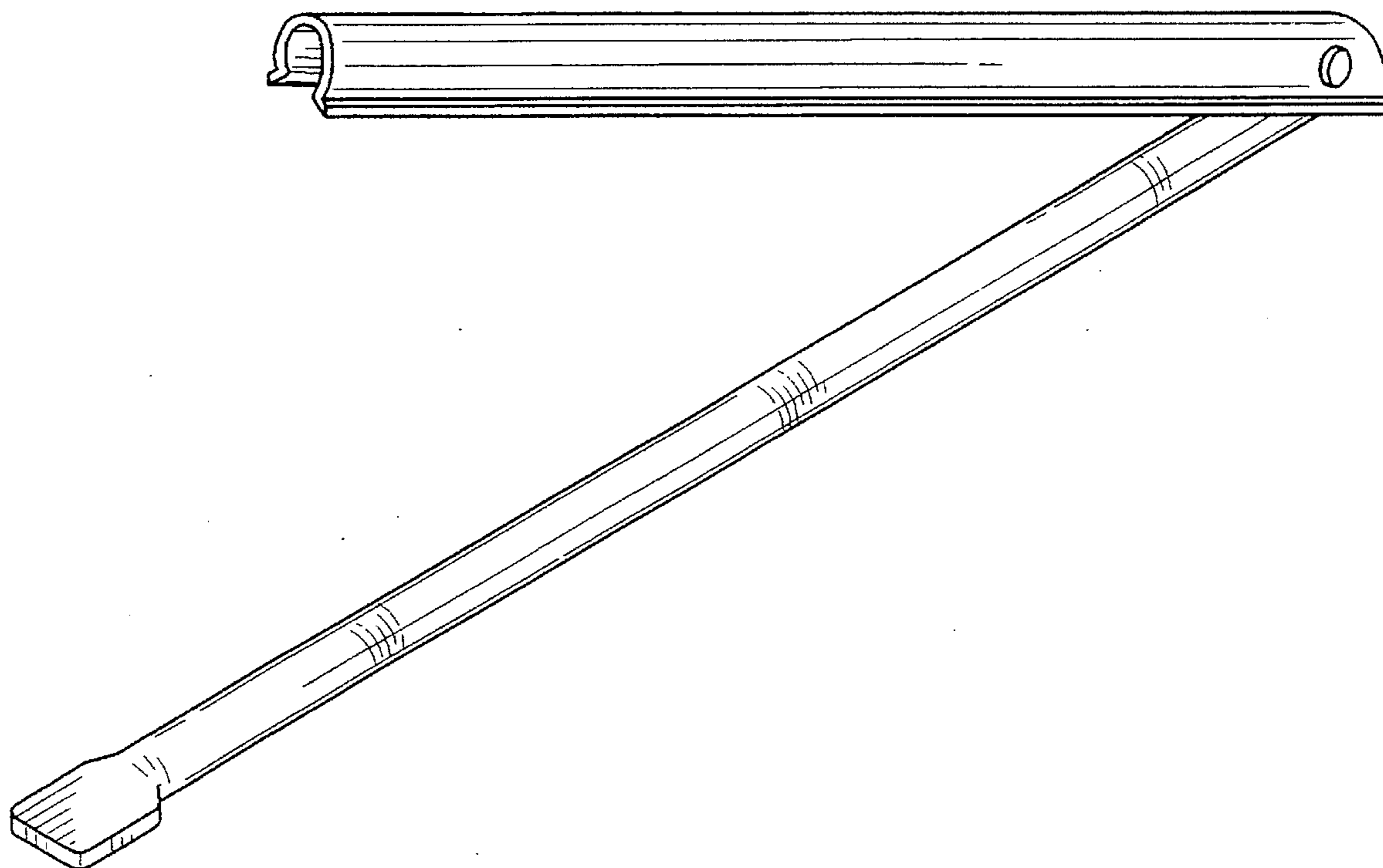
FIG. 1 is a top left side perspective view of a bag clip with pivot end showing our new design in the open configuration; FIG. 2 is a front end view thereof; FIG. 3 is a rear end view thereof; FIG. 4 is a left side elevational view thereof; FIG. 5 is a right side elevational view thereof; FIG. 6 is a top plan view thereof in the closed configuration; and, FIG. 7 is a bottom plan view thereof.

1 Claim, 2 Drawing Sheets

[56] **References Cited**

U.S. PATENT DOCUMENTS

D. 257,070	9/1980	Holmes	D99/34
D. 264,689	6/1982	Miller	D9/434
D. 284,810	7/1986	Kelemen, Sr.	D3/315
D. 331,364	12/1992	Barker et al.	D9/434
D. 348,817	7/1994	Demers	D8/90
468,257	2/1892	Paige	383/13
1,571,049	1/1926	Gatchell	220/752
2,601,568	6/1952	Sussenbach et al.	383/69



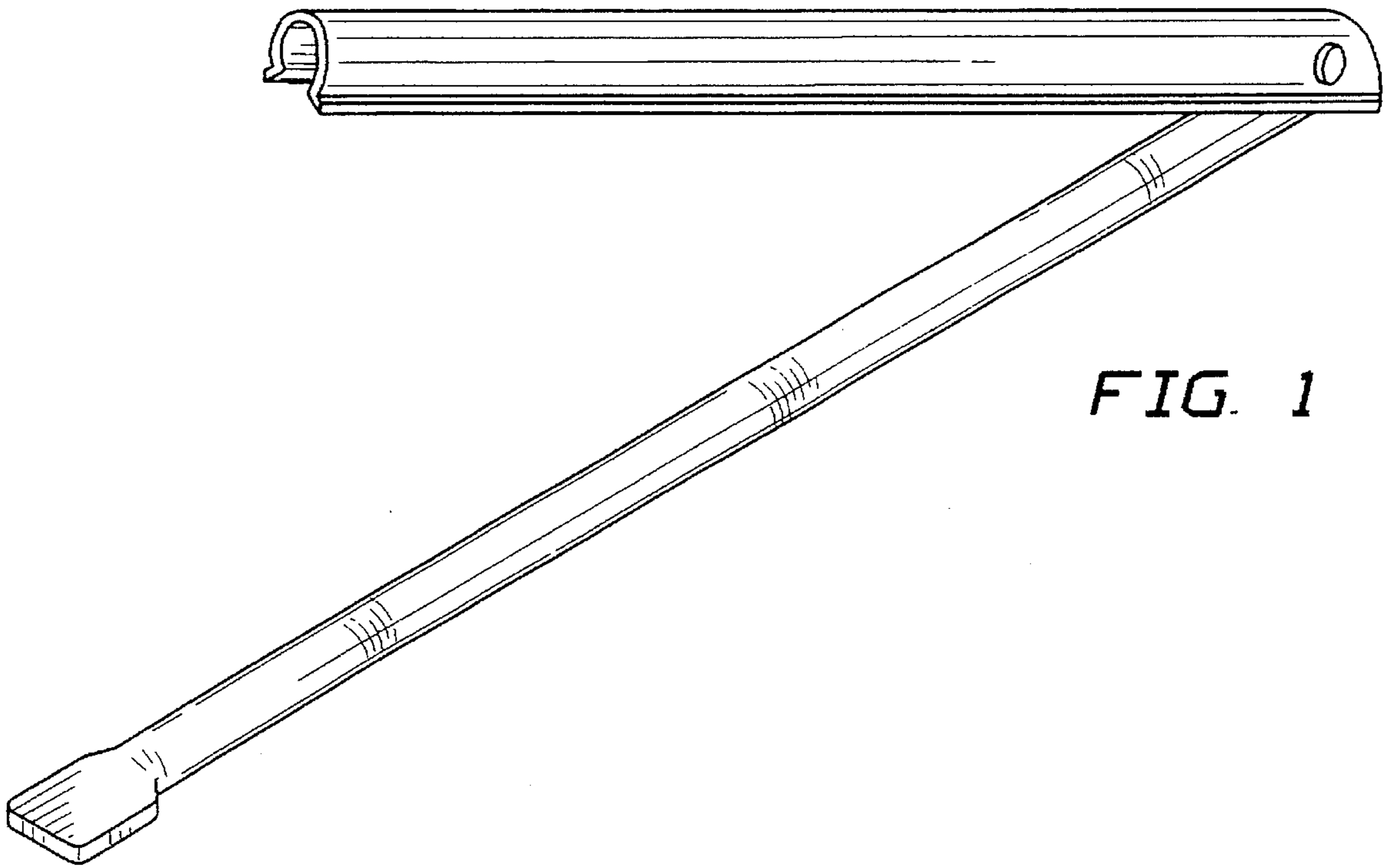


FIG. 1

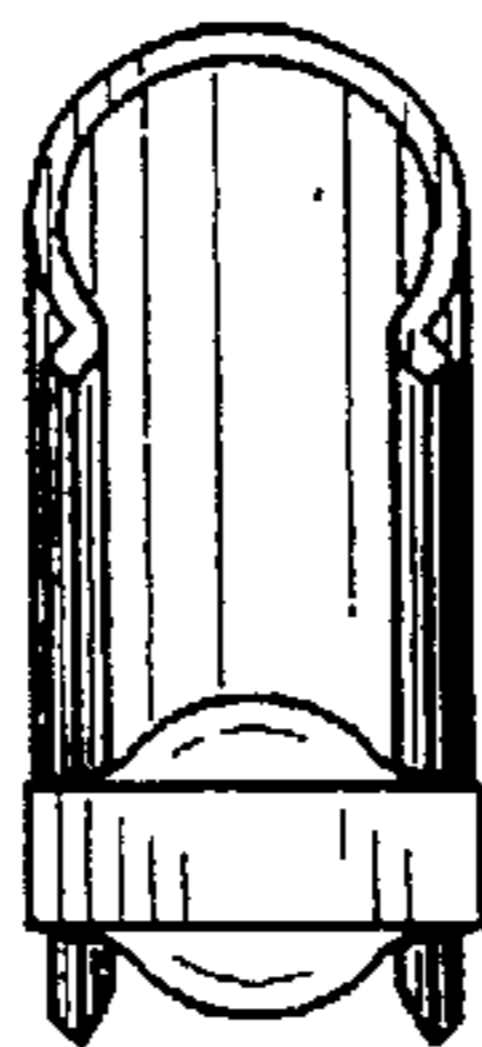


FIG. 2

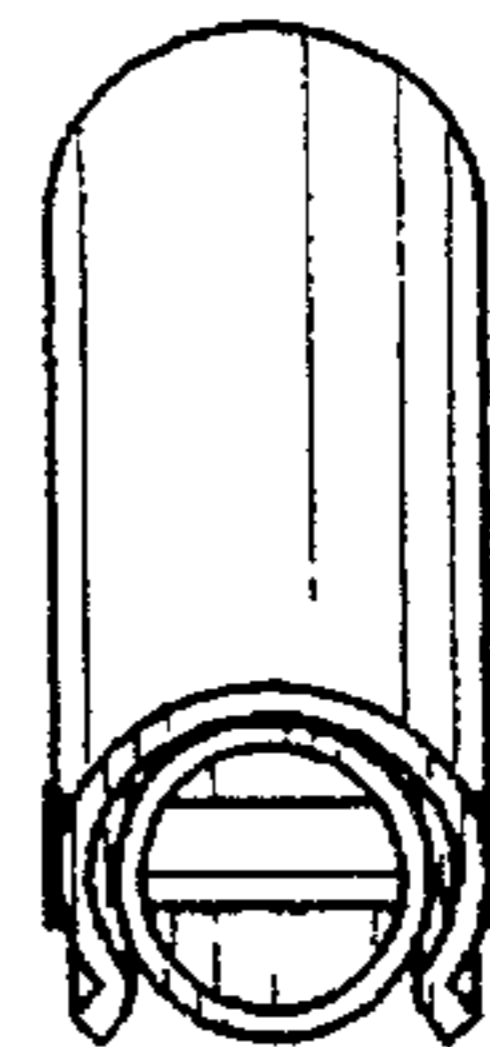


FIG. 3

