



US00D375044S

# United States Patent [19]

Williard et al.

[11] Patent Number: **Des. 375,044**

[45] Date of Patent: **\*\*Oct. 29, 1996**

[54] **STACKABLE COMPOSITE PACKAGE**

5,060,804 10/1991 Beales et al. .... 206/611

[75] Inventors: **Lonnie Williard**, Succasunna; **Brian G. Boden**, Mendham, both of N.J.; **Harry Hajinlian**, Congers, N.Y.

### FOREIGN PATENT DOCUMENTS

579259 7/1959 Canada ..... 206/434

[73] Assignee: **Nabisco, Inc.**, Parsippany, N.J.

*Primary Examiner*—Ted Shooman  
*Assistant Examiner*—Nanda Bondade

[\*\*] Term: **14 Years**

### [57] CLAIM

[21] Appl. No.: **28,812**

The ornamental design for a stackable composite package, as shown and described.

[22] Filed: **Sep. 22, 1994**

### DESCRIPTION

[52] U.S. Cl. .... **D9/433**

[58] Field of Search ..... D9/344, 346, 414, D9/430-433; 206/335, 427, 431, 434

FIG. 1 is a perspective view of a stackable composite package showing our new design; FIG. 2 is a front elevational view; FIG. 3 is a side elevational view, the opposite side being a mirror image; FIG. 4 is a top plan view; FIG. 5 is a rear elevational view; FIG. 6 is a bottom plan view; and, FIG. 7 is a top perspective view of a blank for forming an outer sleeve portion.

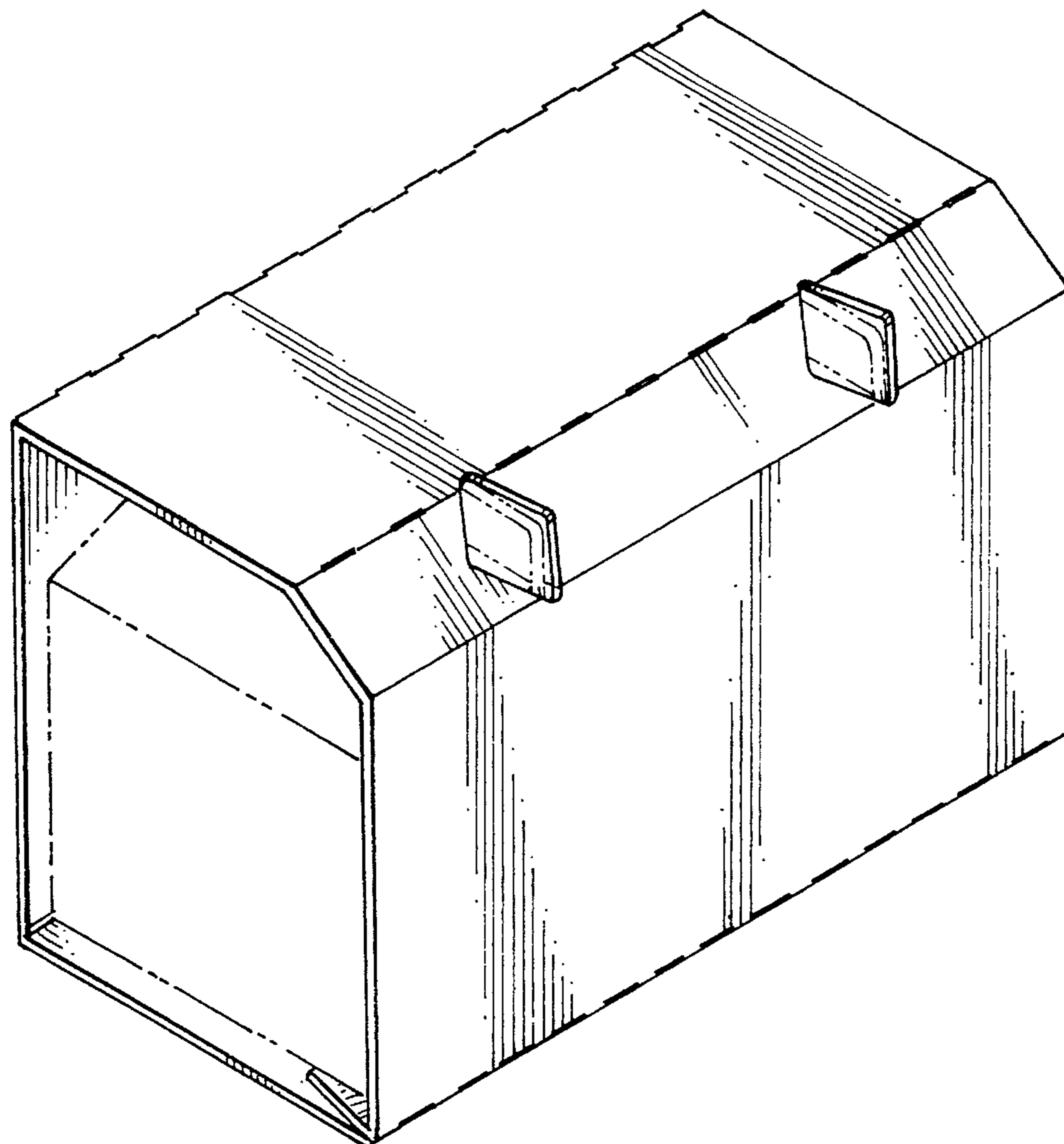
### [56] References Cited

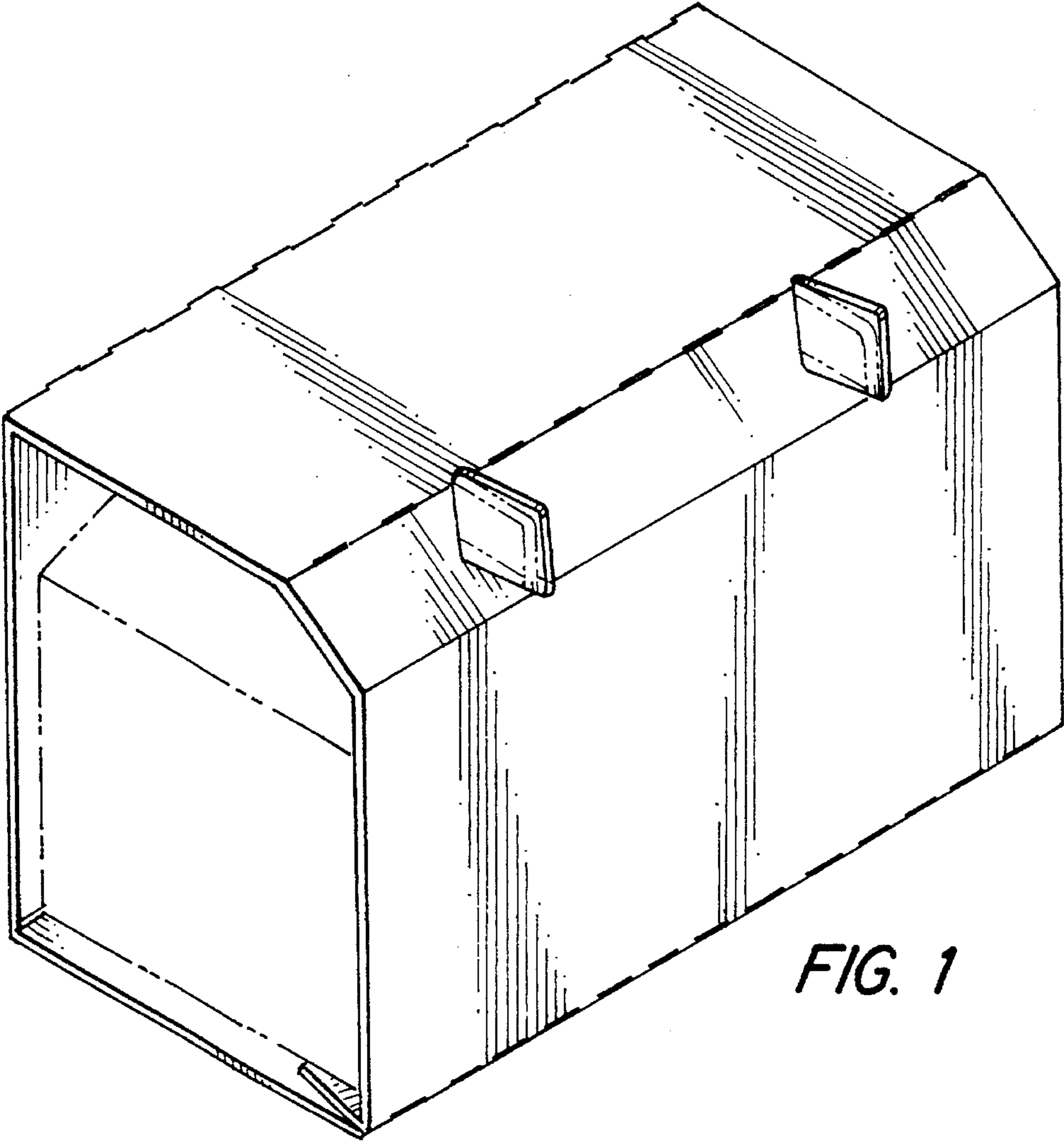
#### U.S. PATENT DOCUMENTS

D. 260,077	8/1981	Burns et al. ....	D9/432 X
T889,030	8/1971	Carmichael .....	206/431 X
2,819,793	1/1958	Lamb .....	206/431
3,080,050	3/1963	Fielding .	
3,080,965	3/1963	Kuchenbecker .....	206/431
3,595,384	7/1971	Sargent .....	206/431 X
3,670,879	6/1972	Williard et al. .	
4,802,608	2/1989	Hofmann .....	220/337 X
4,860,943	8/1989	Cooper .....	206/427 X

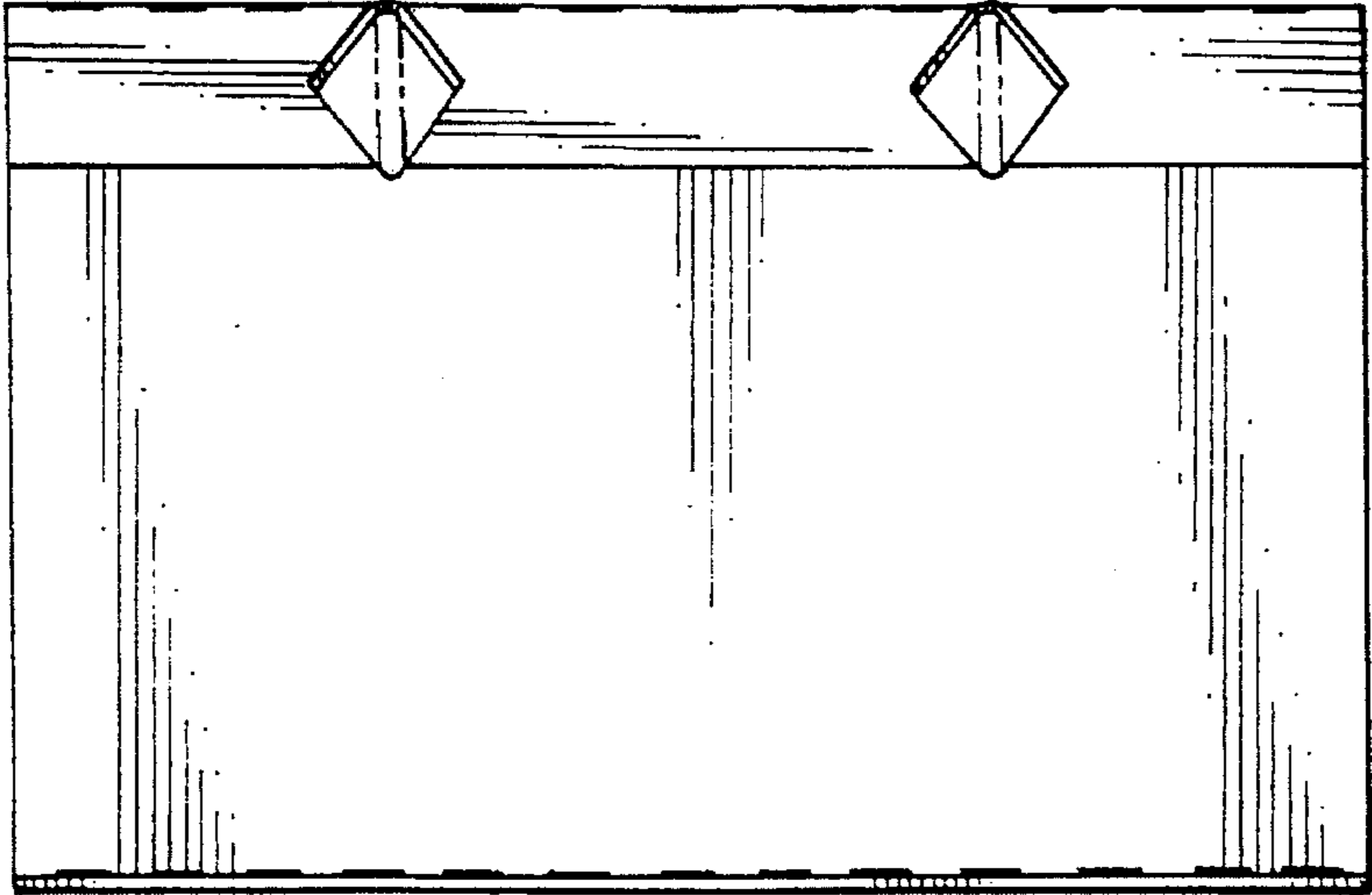
The broken line showing of the internal containers is for illustrative purposes only and forms no part of the claimed design.

**1 Claim, 3 Drawing Sheets**

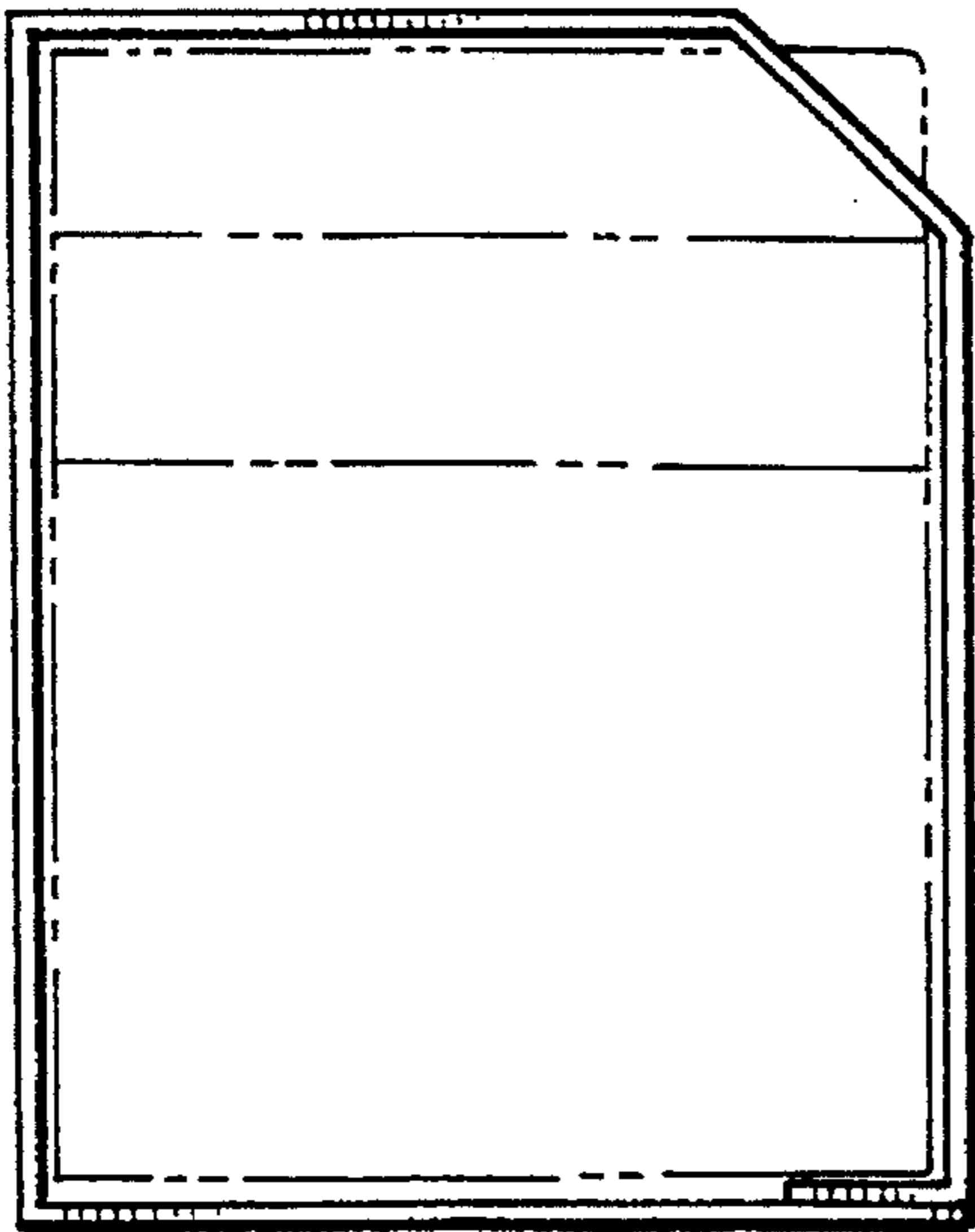




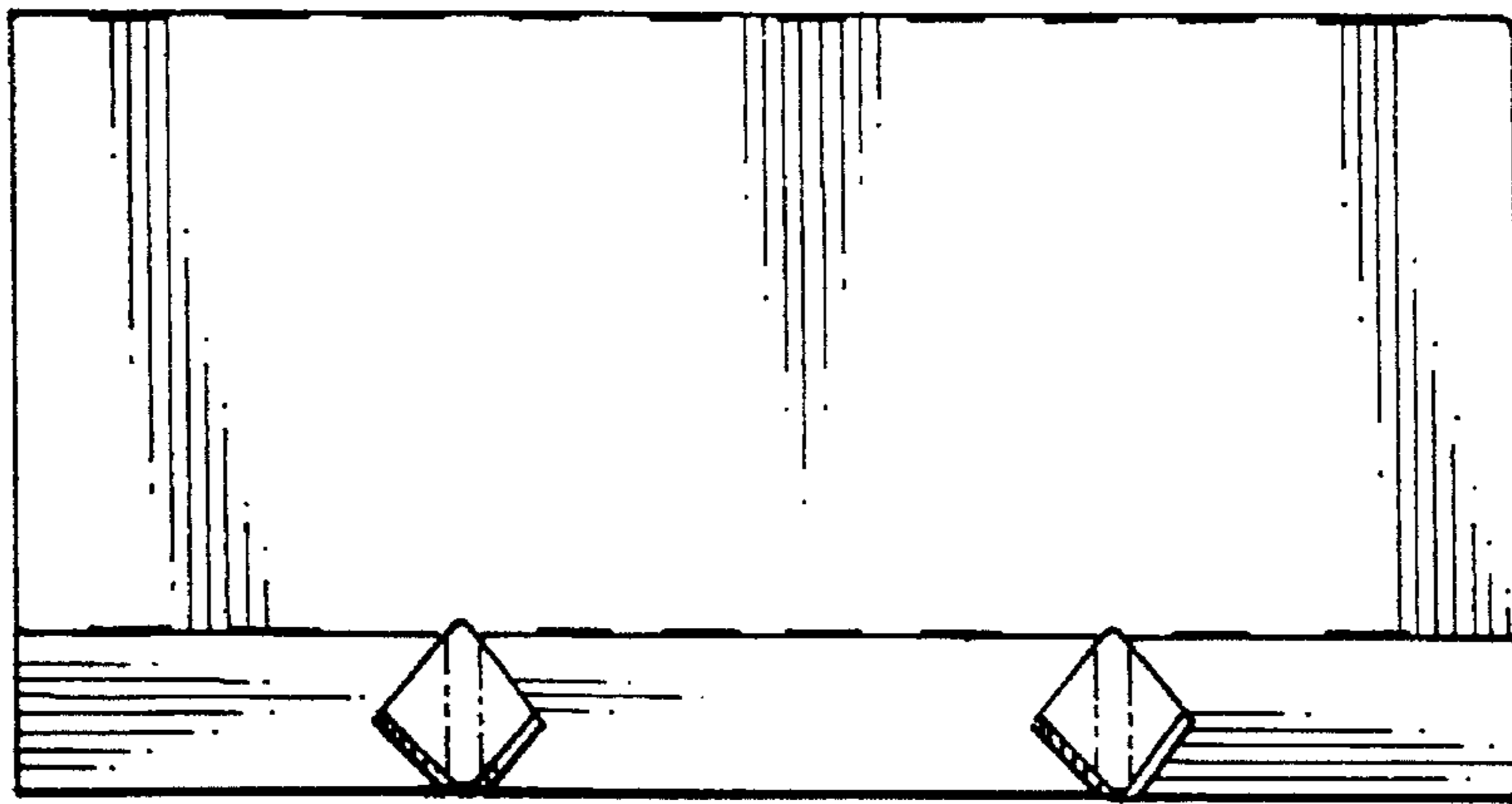
*FIG. 1*



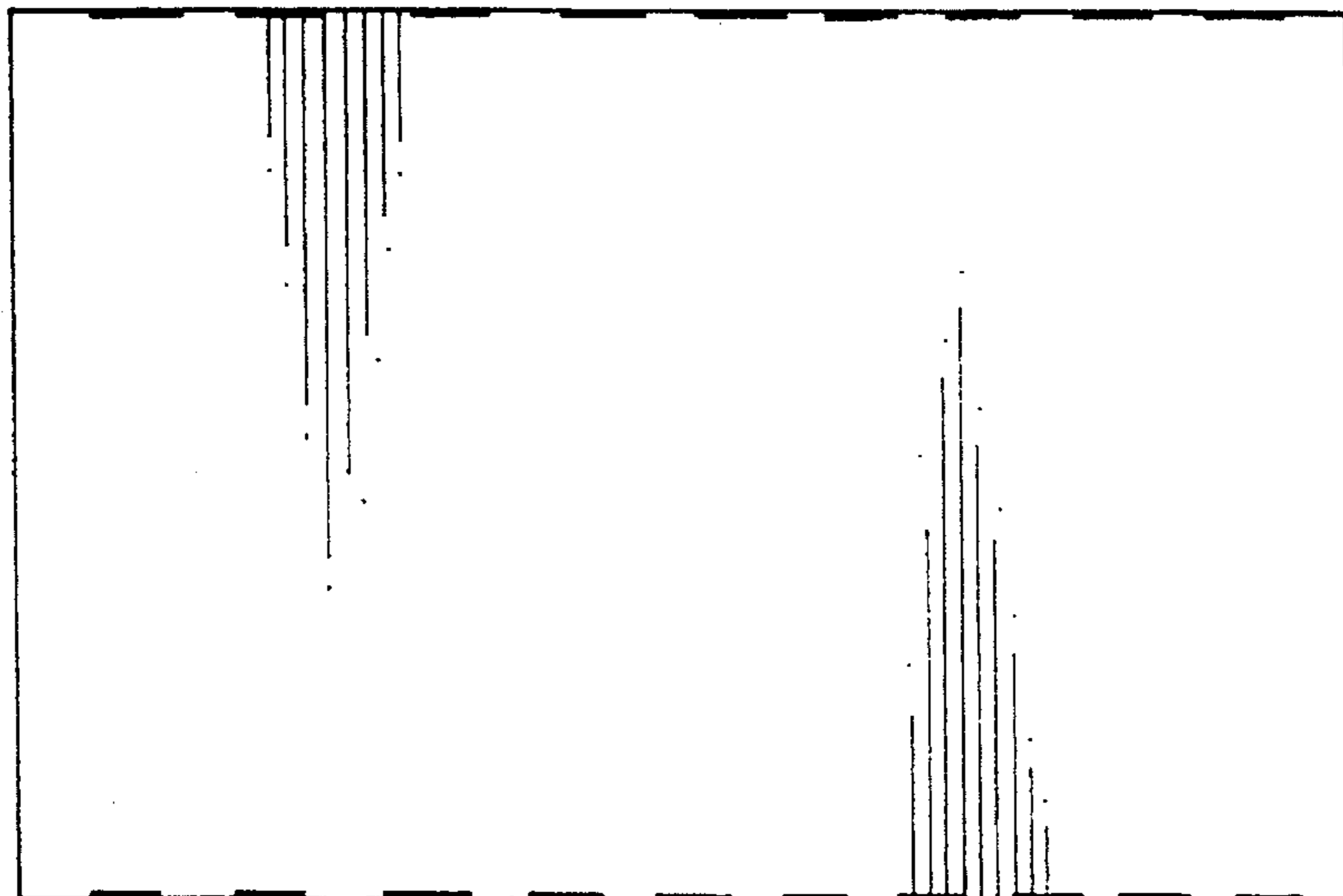
*FIG. 2*



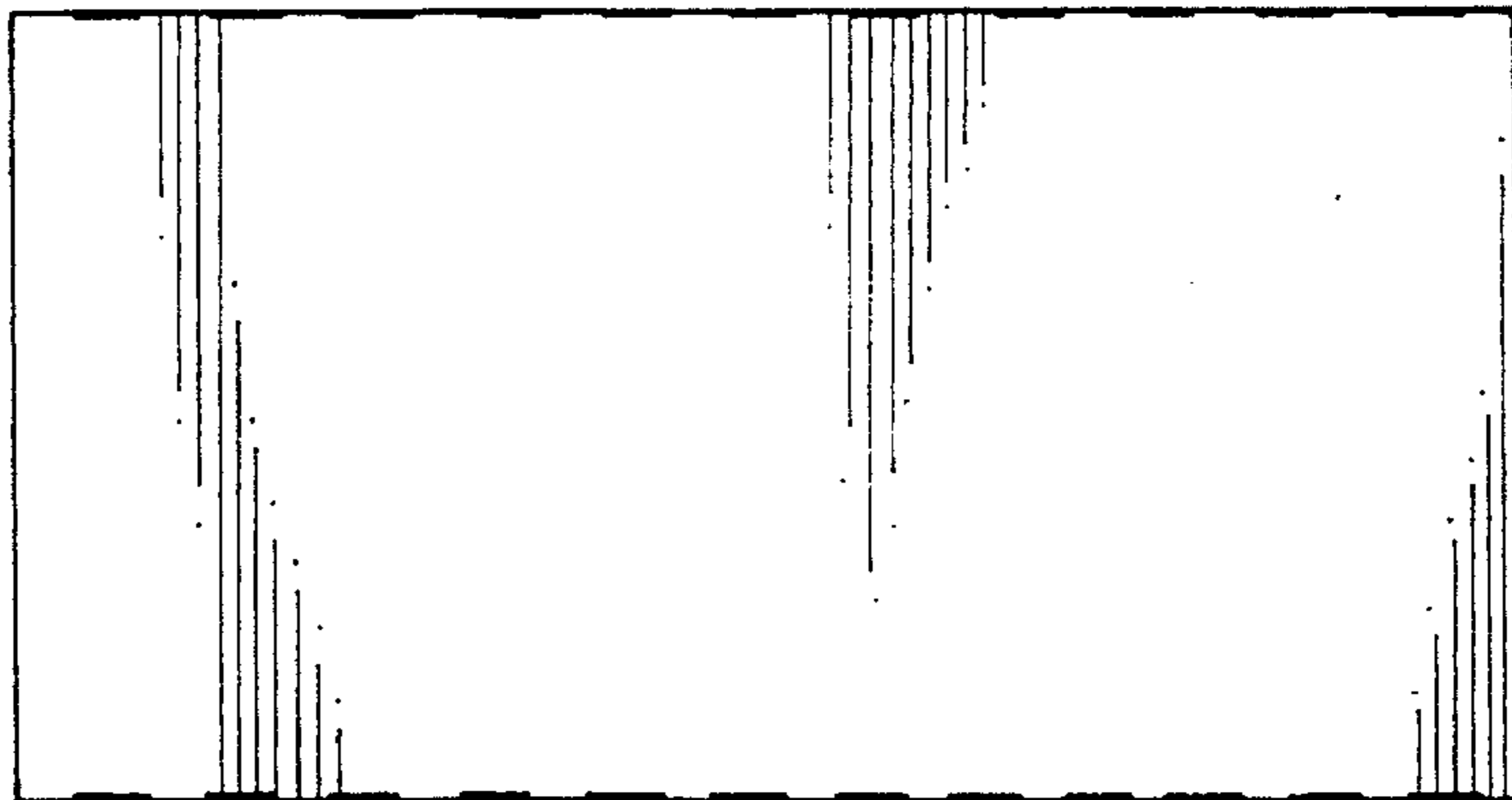
*FIG. 3*



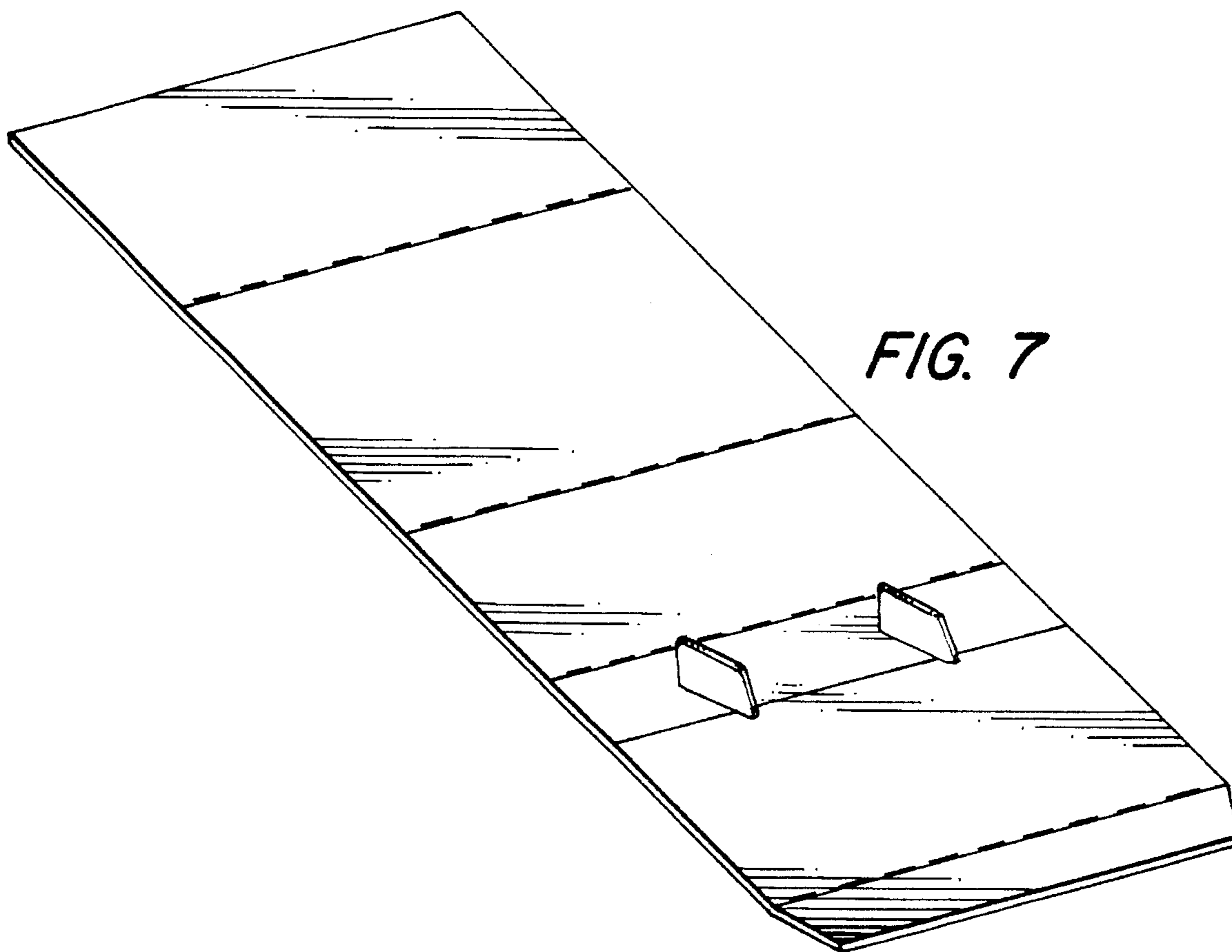
*FIG. 4*



*FIG. 5*



*FIG. 6*



*FIG. 7*