



US00D375037S

United States Patent [19]

[11] Patent Number: **Des. 375,037**

Toenders

[45] Date of Patent: ****Oct. 29, 1996**

[54] **DOOR BRACE**

FOREIGN PATENT DOCUMENTS

[76] Inventor: **Cinth Toenders**, Box 243, Ardmore, Alberta, Canada, T0A 0B0

66796 9/1990 Canada .

[**] Term: **14 Years**

Primary Examiner—Brian N. Vinson
Attorney, Agent, or Firm—Anthony R. Lambert

[21] Appl. No.: **44,660**

[57] **CLAIM**

[22] Filed: **Sep. 28, 1995**

The ornamental design for a door brace, as shown and described.

[52] U.S. Cl. **D8/339**

[58] Field of Search D8/330-331, 336, D8/339; 292/DIG. 15, 338-339, 288-289

DESCRIPTION

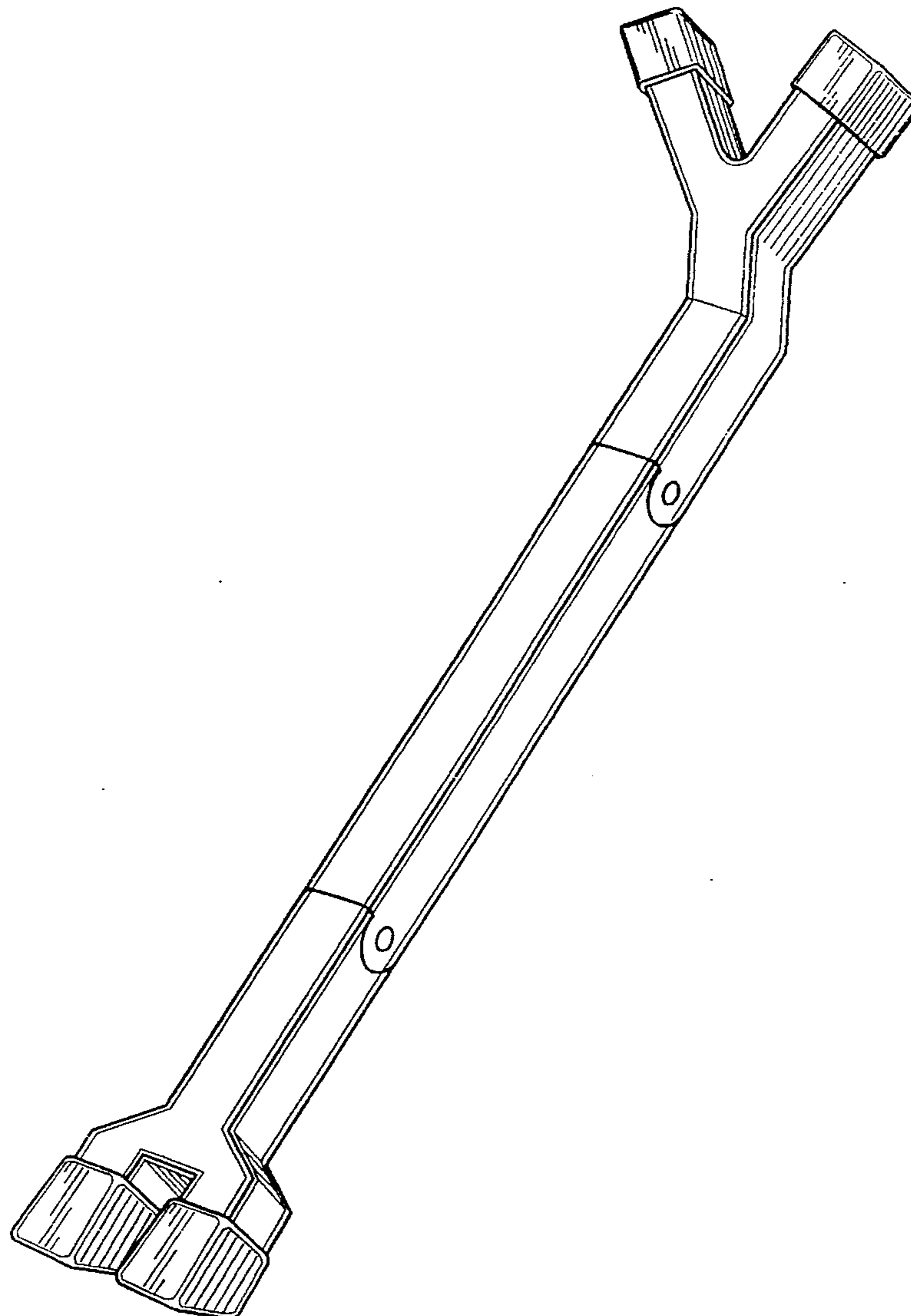
[56] **References Cited**

U.S. PATENT DOCUMENTS

D. 219,362	12/1970	Snyder	D8/339
D. 290,579	6/1987	Crisp, Jr. et al.	D8/339
D. 339,282	9/1993	Malonson	D8/331
D. 349,446	8/1994	Brunette	D8/331
3,583,743	6/1971	Newell	292/339

FIG. 1 is a perspective view;
FIG. 2 is a right side elevation view, the left side elevation view being a mirror image thereof;
FIG. 3 is a top plan view;
FIG. 4 is a bottom plan view;
FIG. 5 is a top end view; and,
FIG. 6 is a bottom end view.

1 Claim, 2 Drawing Sheets



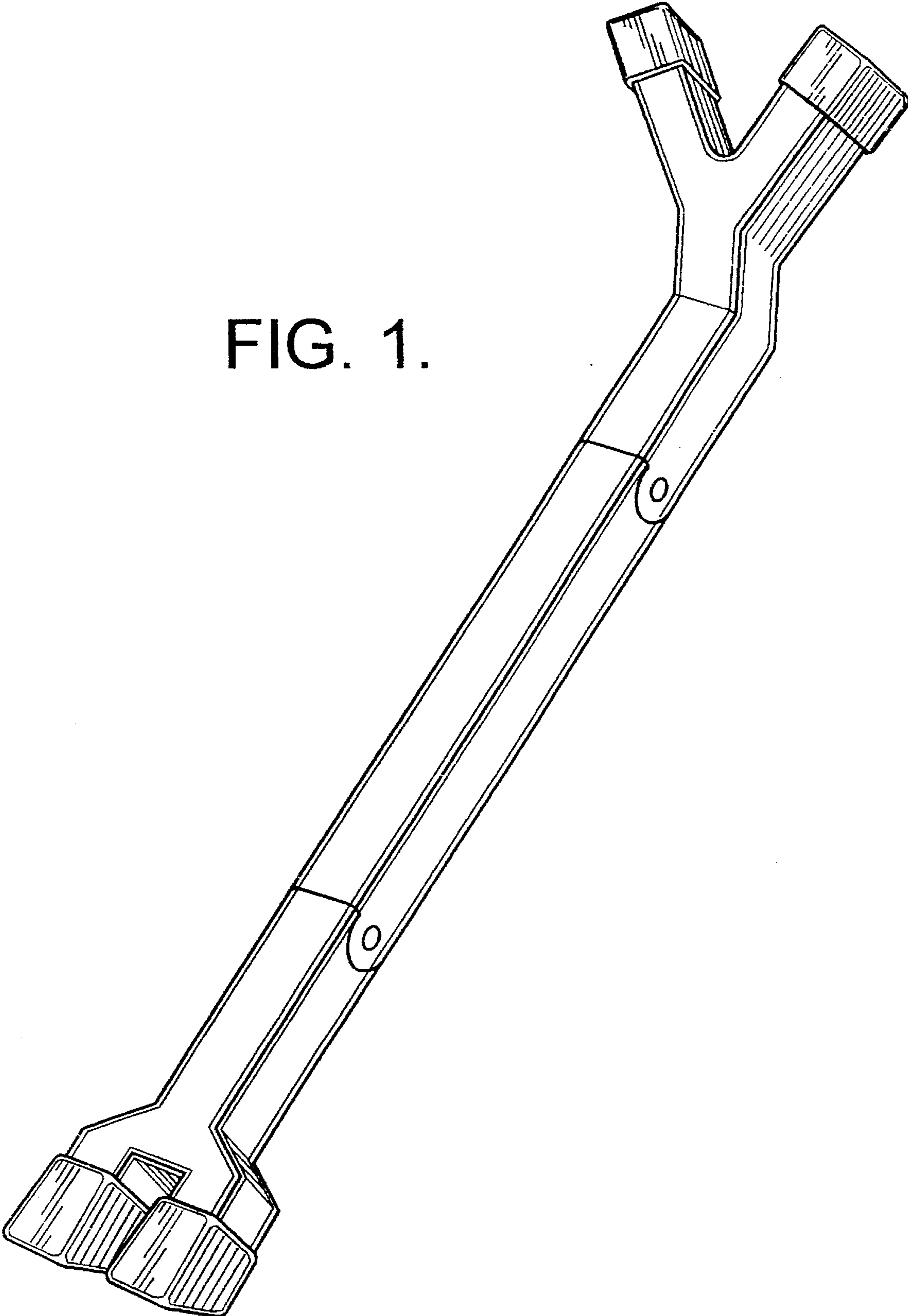


FIG. 1.

