



US00D375034S

United States Patent [19]

[11] **Patent Number: Des. 375,034**

Bowser

[45] **Date of Patent: **Oct. 29, 1996**

[54] **SANDPAPER AND FIBROUS MATERIAL CUTTER**

[57] **CLAIM**

[76] **Inventor: David G. Bowser, 200 Vaughn St., Johnstown, Pa. 15906**

The ornamental design for a sandpaper and fibrous material cutter, as shown and described.

[**] **Term: 14 Years**

DESCRIPTION

[21] **Appl. No.: 39,181**

FIG. 1 is a perspective view of a sandpaper and fibrous material cutter showing my new design therefor;

[22] **Filed: May 22, 1995**

FIG. 2 is a bisected top plan view, the corresponding half being detailed in FIG. 3 below, enlarged to reveal design detail;

[52] **U.S. Cl. D8/98; D8/51**

[58] **Field of Search D8/51, 98; 30/300, 30/301, 289, 290, 292, 310; D10/68**

FIG. 3 is a bisected top plan view, the corresponding half being detailed in FIG. 2 above, enlarged to reveal design detail;

[56] **References Cited**

U.S. PATENT DOCUMENTS

2,778,108	1/1957	Welsh	30/300
2,778,423	1/1957	Zimmerman	30/300
3,608,192	9/1971	Hansel .	
4,021,025	5/1977	Frame .	
4,030,192	6/1977	Umholtz	30/310
4,060,333	11/1977	White	408/103
4,060,893	12/1977	Matsuura	30/310
4,081,179	3/1978	Frame .	
4,322,188	3/1982	Hougen .	
4,426,781	1/1984	Kufrin	30/310
4,593,467	6/1986	Safar	30/300
4,782,730	11/1988	Picone et al.	30/300
5,007,320	4/1991	Craig et al.	30/310

FIG. 4 is a front elevational view;

FIG. 5 is a right side elevational view;

FIG. 6 is a rear elevational view;

FIG. 7 is a bisected bottom plan view, the corresponding half being detailed in FIG. 8 below, enlarged to reveal design detail; and,

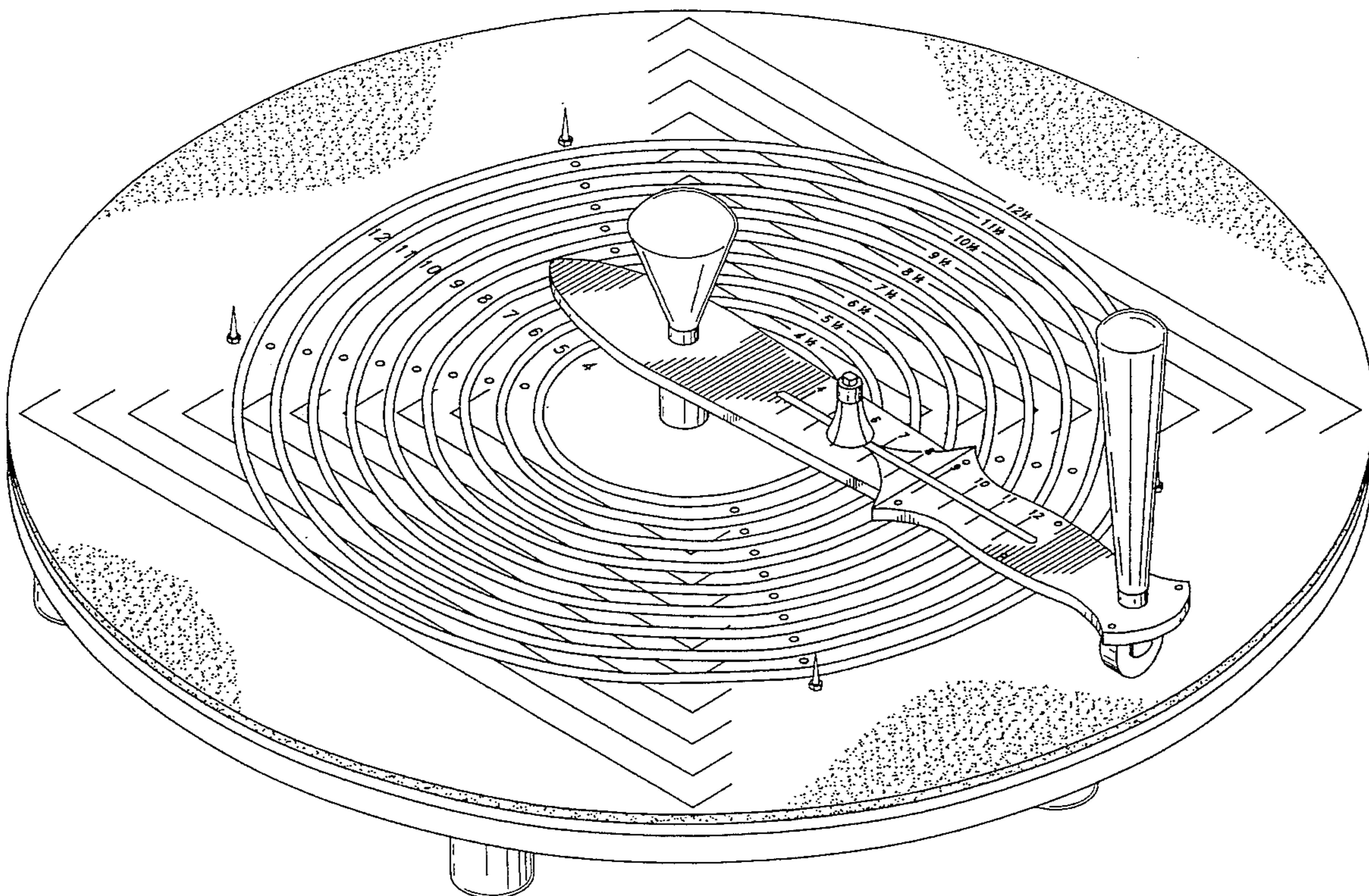
FIG. 8 is a bisected bottom plan view, the corresponding half being detailed in FIG. 7 above, enlarged to reveal design detail.

The stippling which appears sporadically on the top surface in FIGS. 1, 2 and 3, and on the upper circumferential rim in FIGS. 4, 5 and 6, is for purposes of material designation, is restricted to these areas to avoid obfuscation of the surface design, and forms no part of my design.

Primary Examiner—Philip S. Hyder

Attorney, Agent, or Firm—David L. Baker; Rhodes & Ascolillo

1 Claim, 8 Drawing Sheets



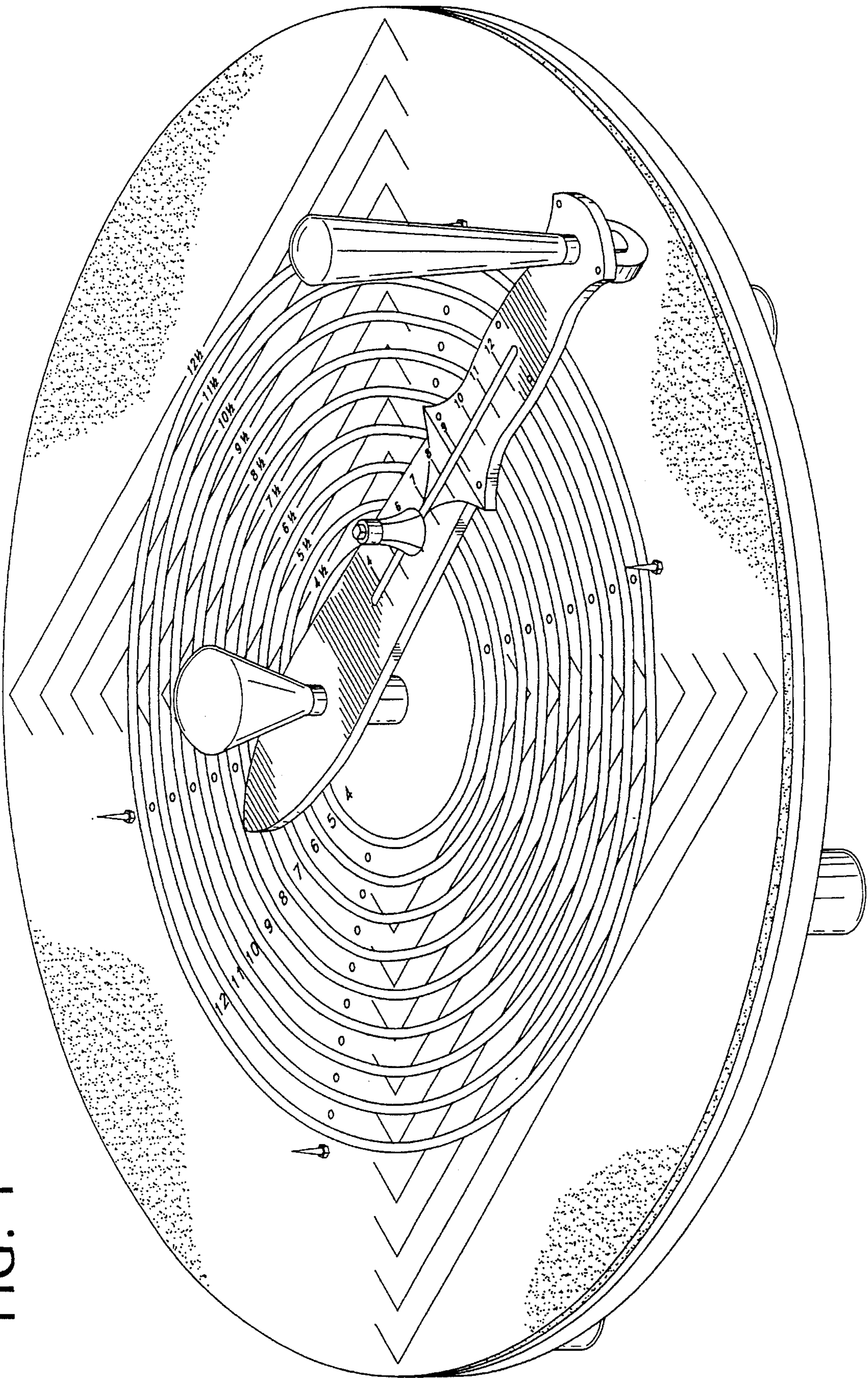


FIG. 1

FIG. 2

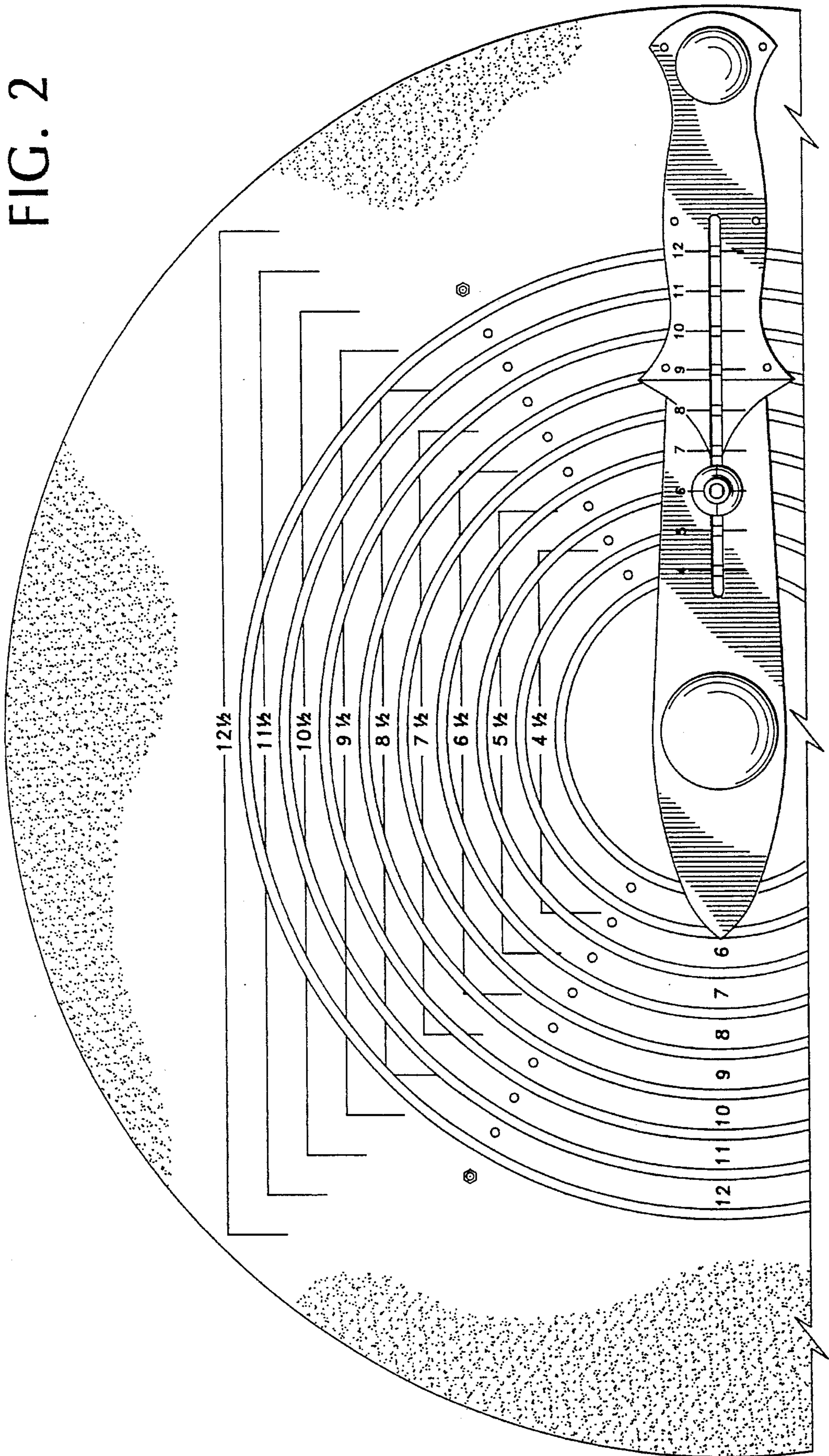
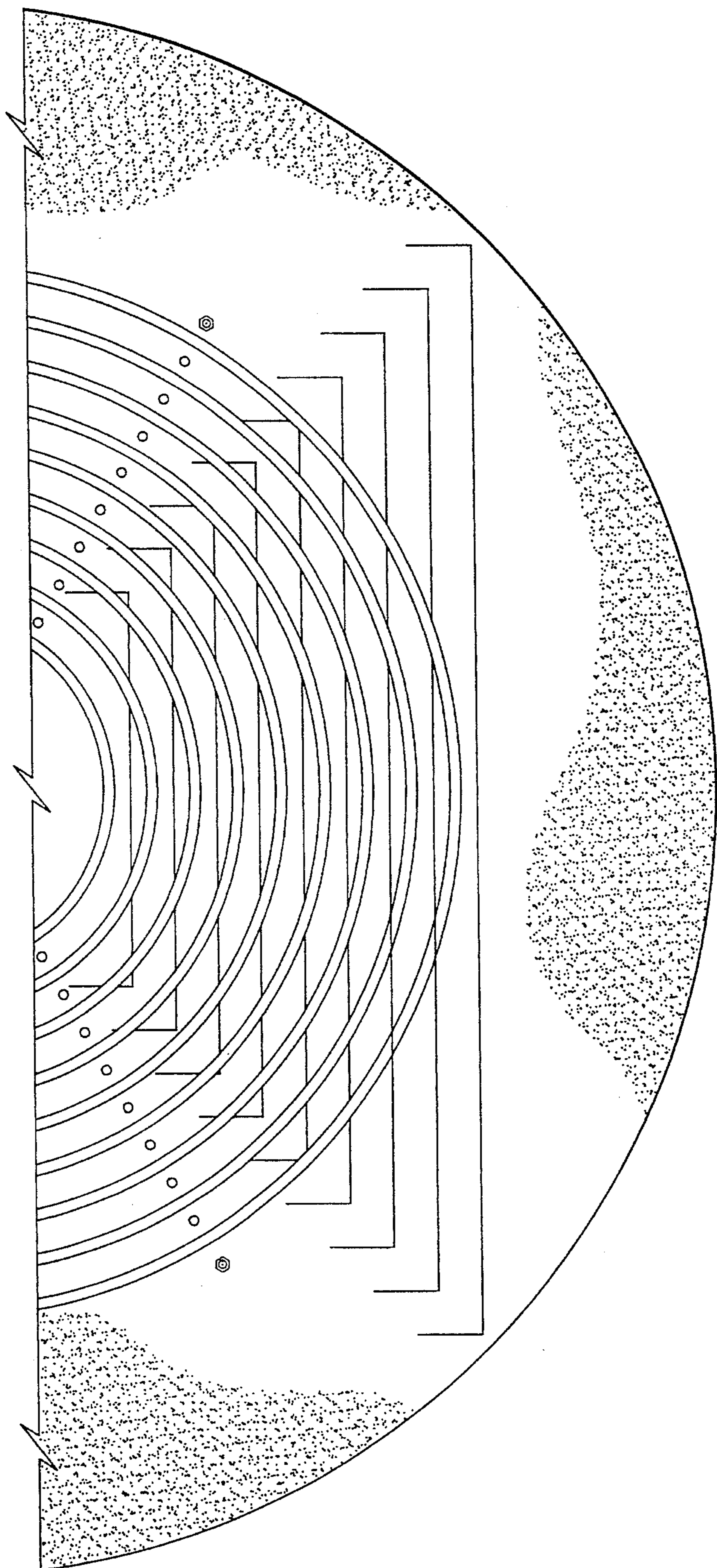


FIG. 3



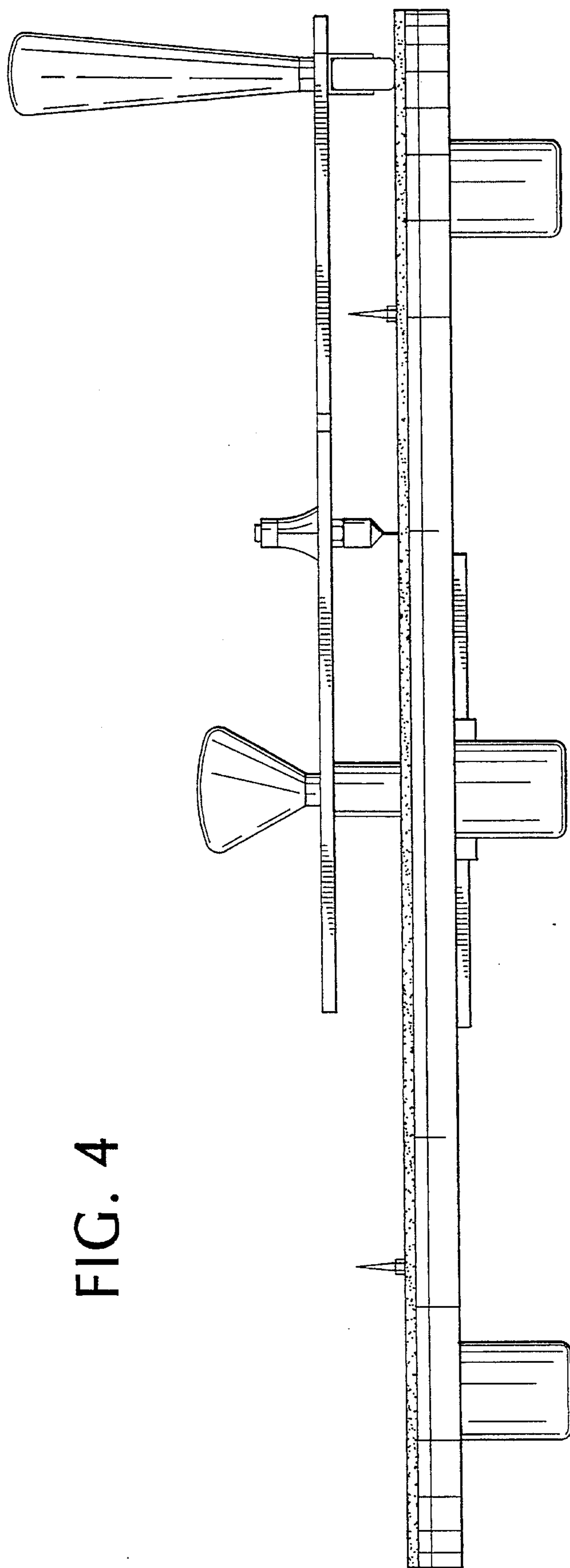


FIG. 4

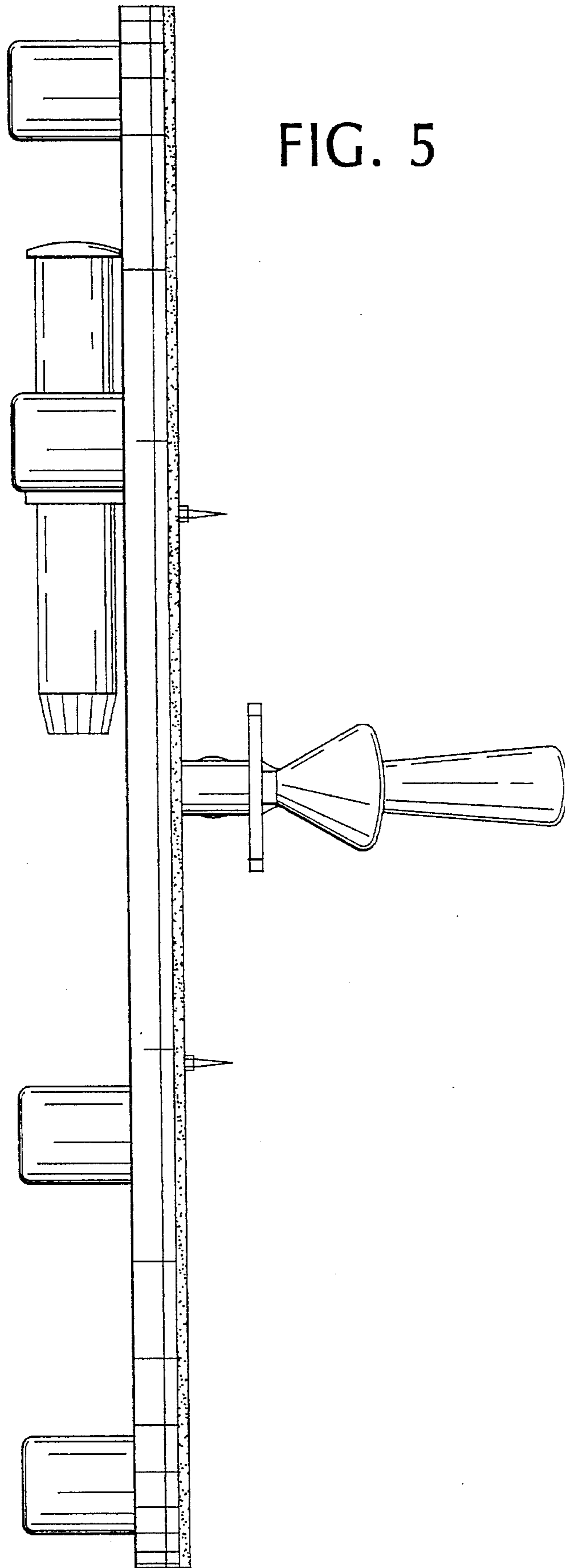


FIG. 5

FIG. 6

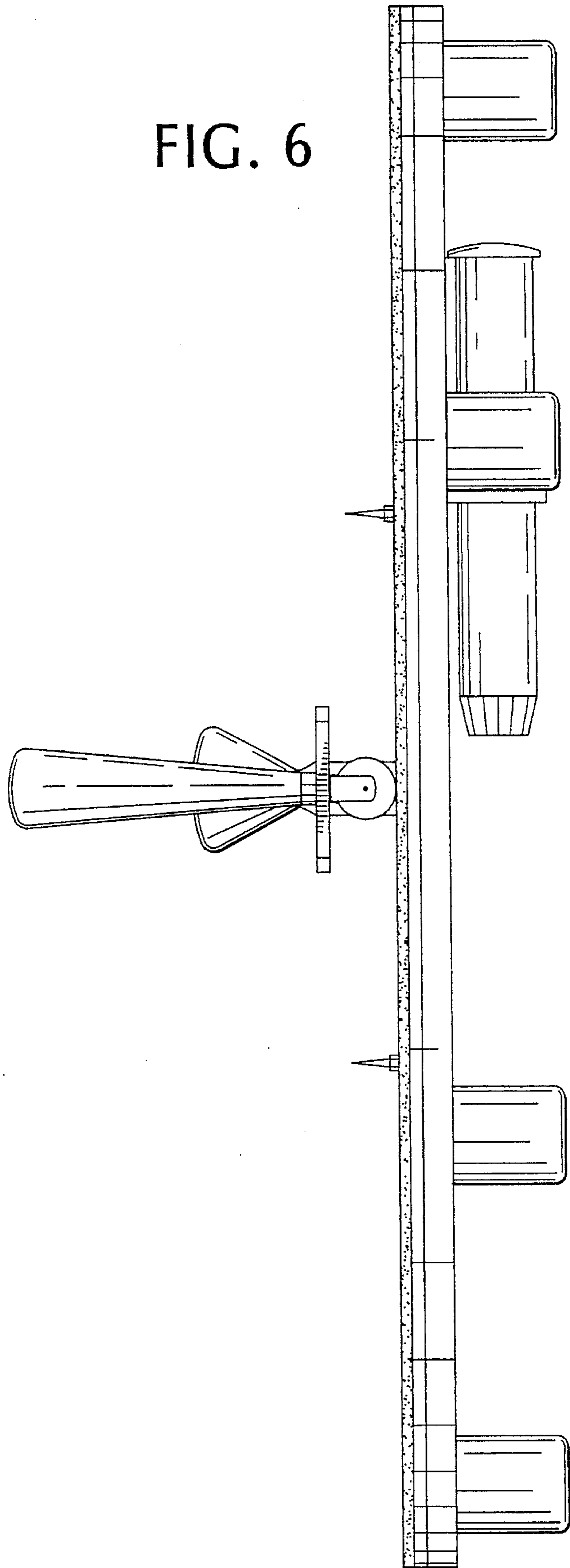


FIG. 7

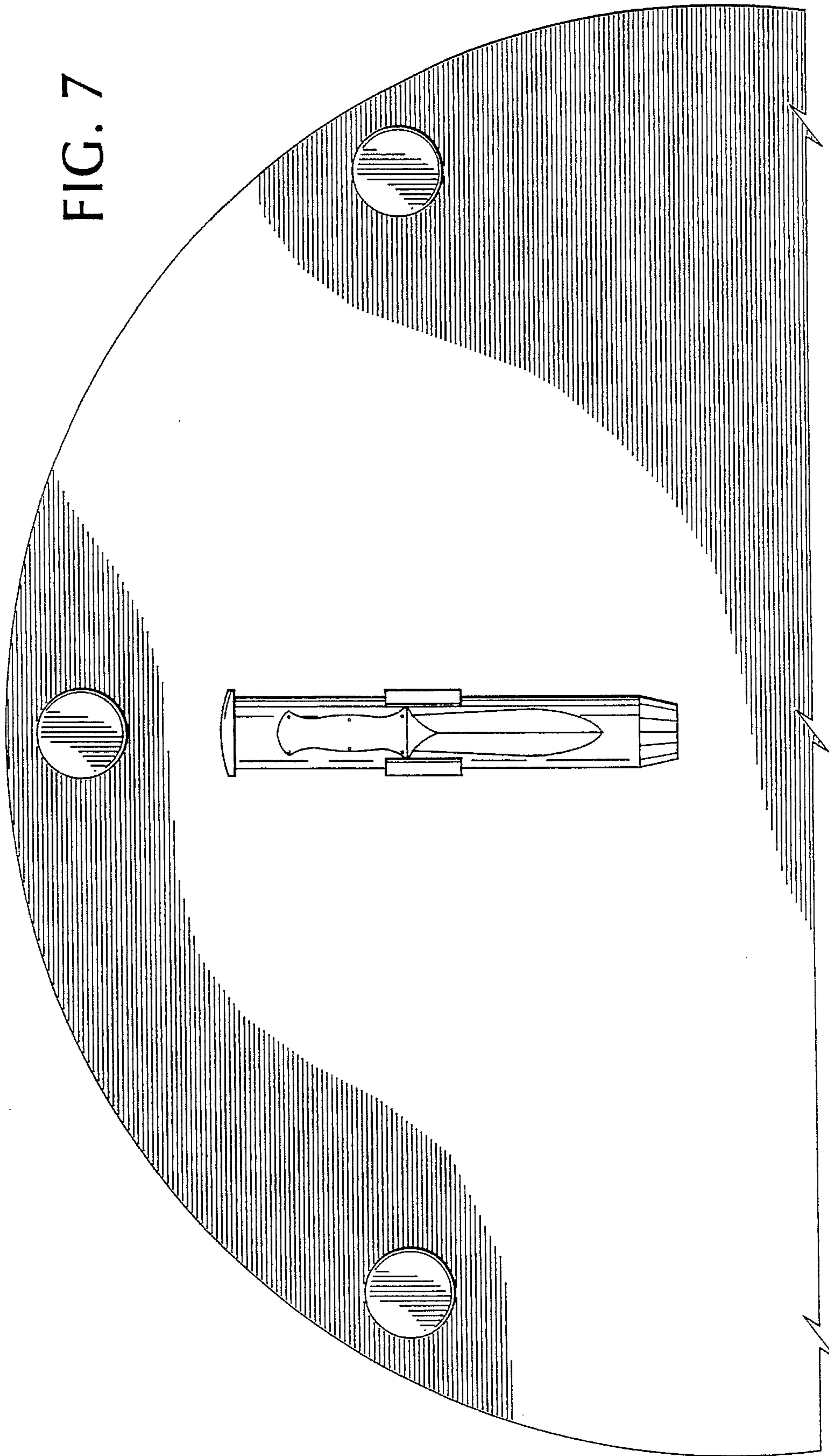


FIG. 8

