



US00D375031S

United States Patent [19]

[11] Patent Number: **Des. 375,031**

Cottone

[45] Date of Patent: ****Oct. 29, 1996**

[54] **HEAVY DUTY CLAMP FOR COMPUTER PAPER MARGIN STRIPPER**

5,036,739	8/1991	Clar	D18/56
5,072,869	12/1991	Padgett	225/106
5,120,144	6/1992	Lund	D18/56
5,247,863	9/1993	Cohen	83/620
5,259,543	11/1993	Downing	225/99

[76] Inventor: **James F. Cottone**, 2001 Jefferson Davis Hwy., Arlington, Va. 22202

[**] Term: **14 Years**

Primary Examiner—Cathy Anne MacCormac
Attorney, Agent, or Firm—James F. Cottone

[21] Appl. No.: **22,985**

[57] **CLAIM**

[22] Filed: **May 17, 1994**

The ornamental design for a heavy duty clamp for computer paper margin stripper, as shown and described.

[52] U.S. Cl. **D8/72**; D18/34; D18/56

[58] Field of Search D18/34, 56; 83/452, 83/620; 225/106, 99; D8/72; 400/207; 269/6, 166

DESCRIPTION

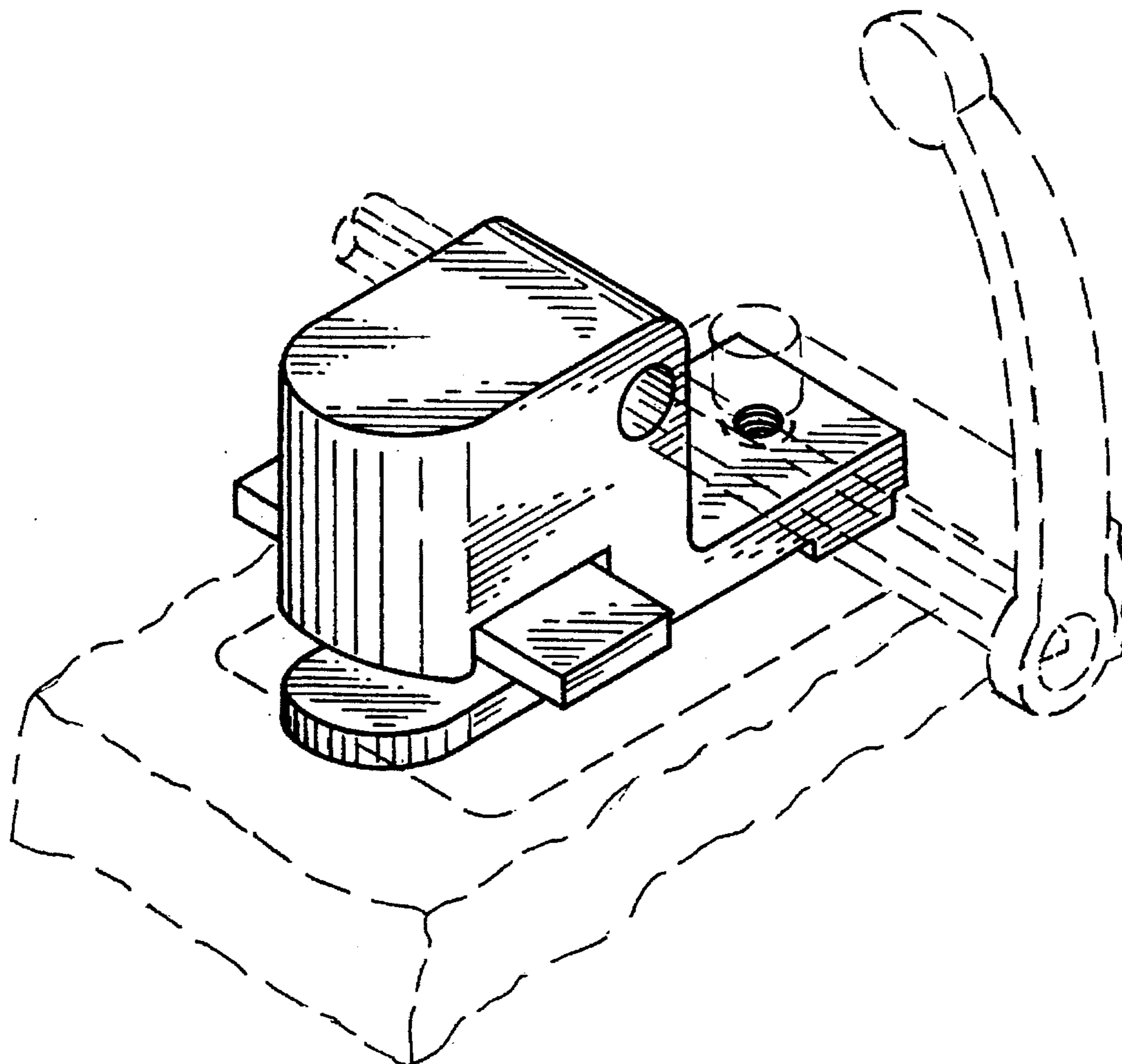
[56] **References Cited**

U.S. PATENT DOCUMENTS

D. 236,941	9/1975	Seaverns	D8/72
D. 318,409	7/1991	Garrett	D8/72
2,896,893	7/1959	Oliver	D8/72
4,502,620	3/1985	Leiby	225/106
4,782,986	11/1988	Loesche	225/106
4,886,198	12/1989	de Larosiere	225/106
4,991,760	2/1991	Coryell	225/106

FIG. 1 is a right front perspective view of a clamp for paper margin stripper showing a first form of my new design; FIG. 2 is a side elevation taken from the right of FIG. 1; FIG. 3 is a front elevational view; FIG. 4 is a right side elevation; FIG. 5 is a top plan view; FIG. 6 is a rear elevational view; and, FIG. 7 is a bottom plan view; The broken lines in FIG. 1 are for illustrative purposes only and form no part of the claimed design.

1 Claim, 1 Drawing Sheet



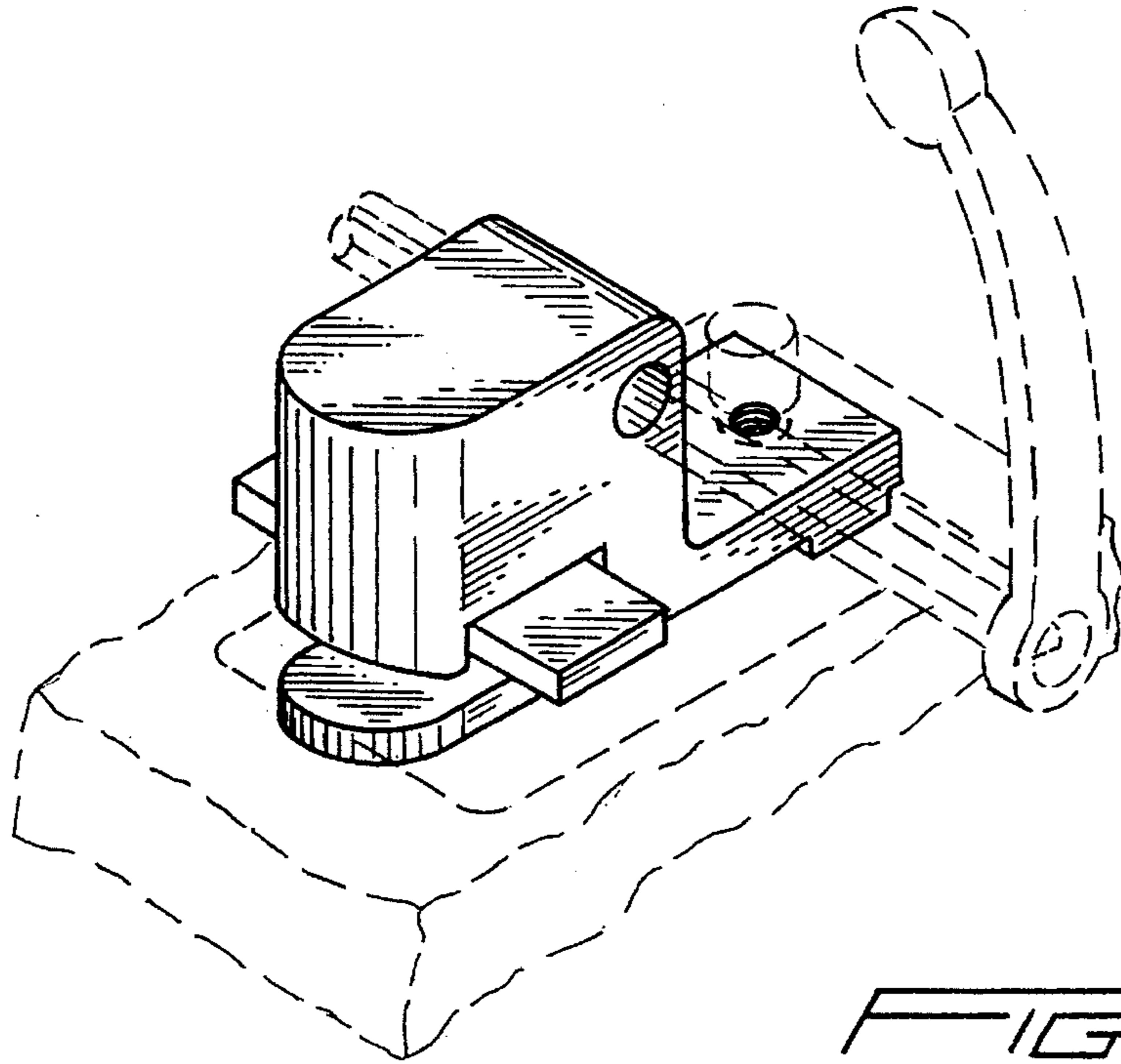


FIG. 1

FIG. 2

FIG. 3

FIG. 4

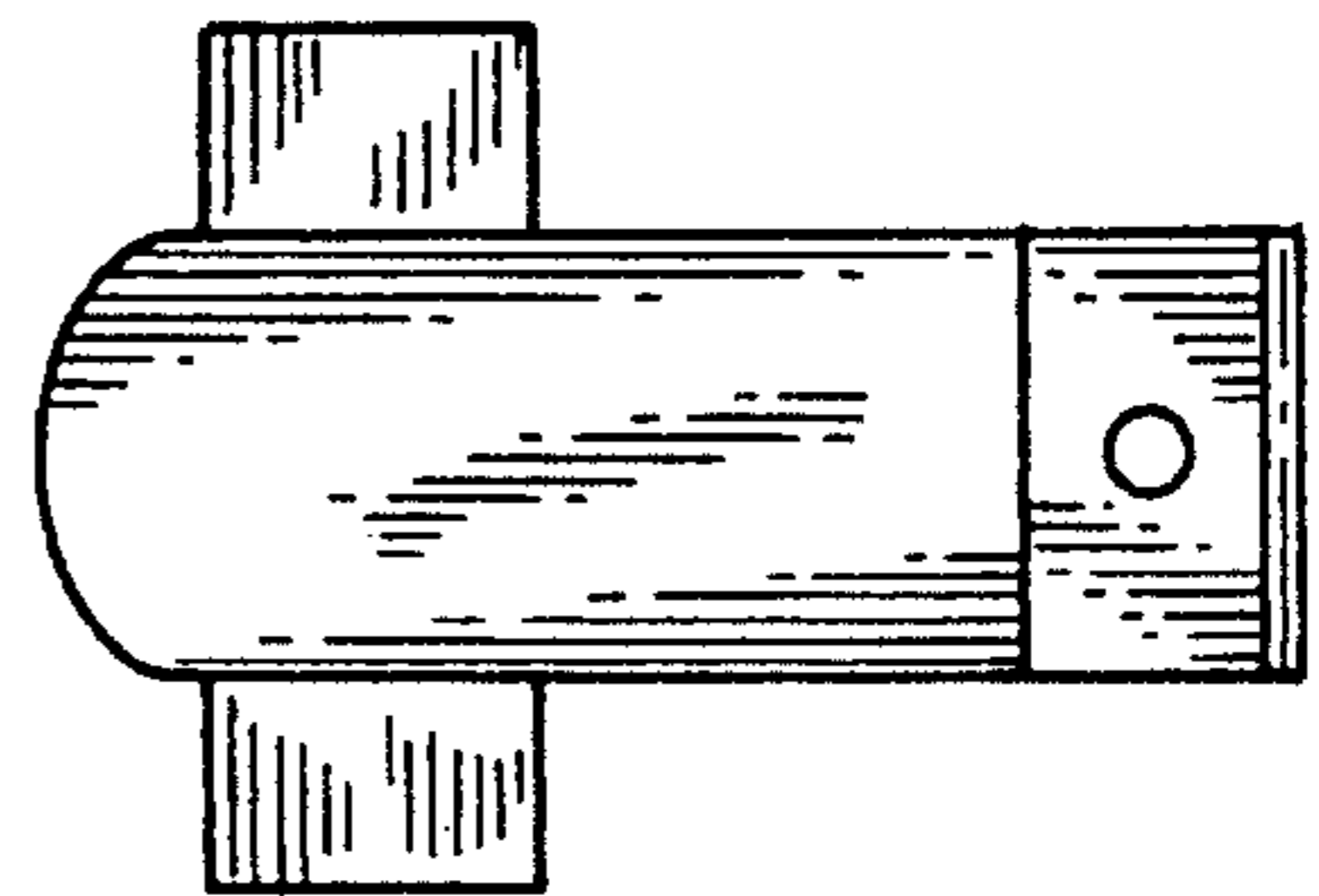
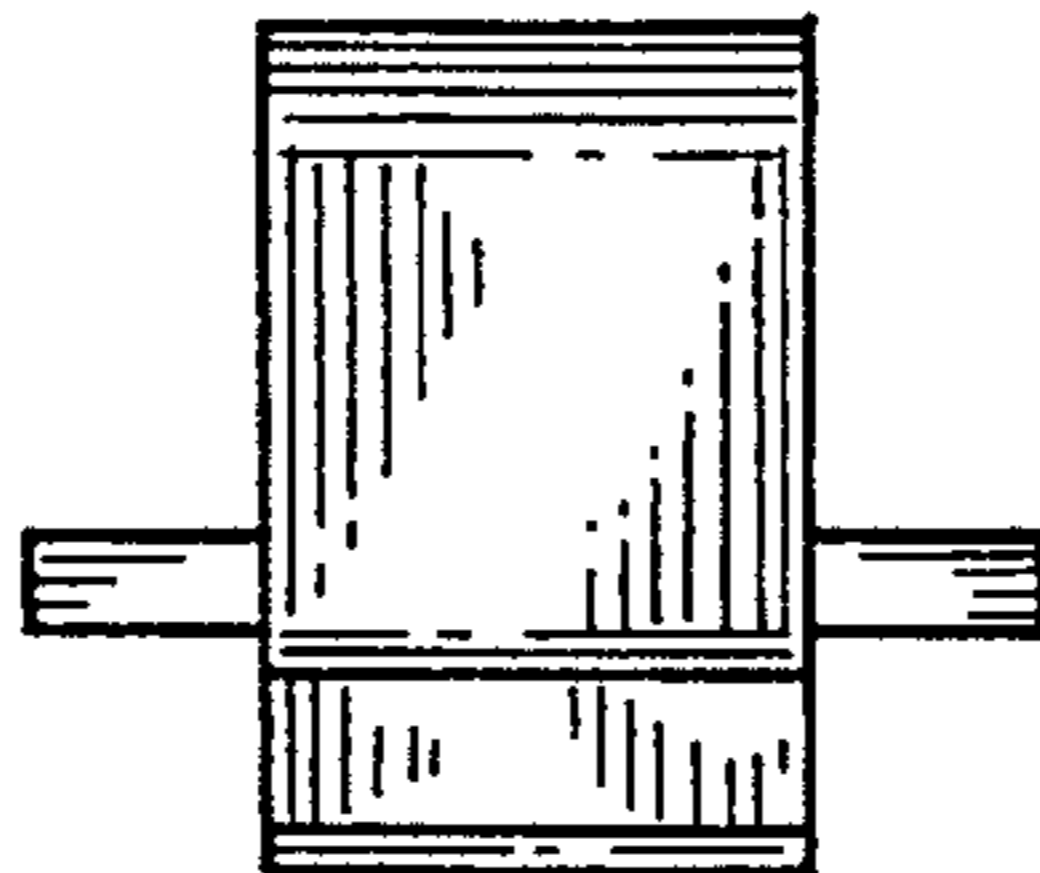
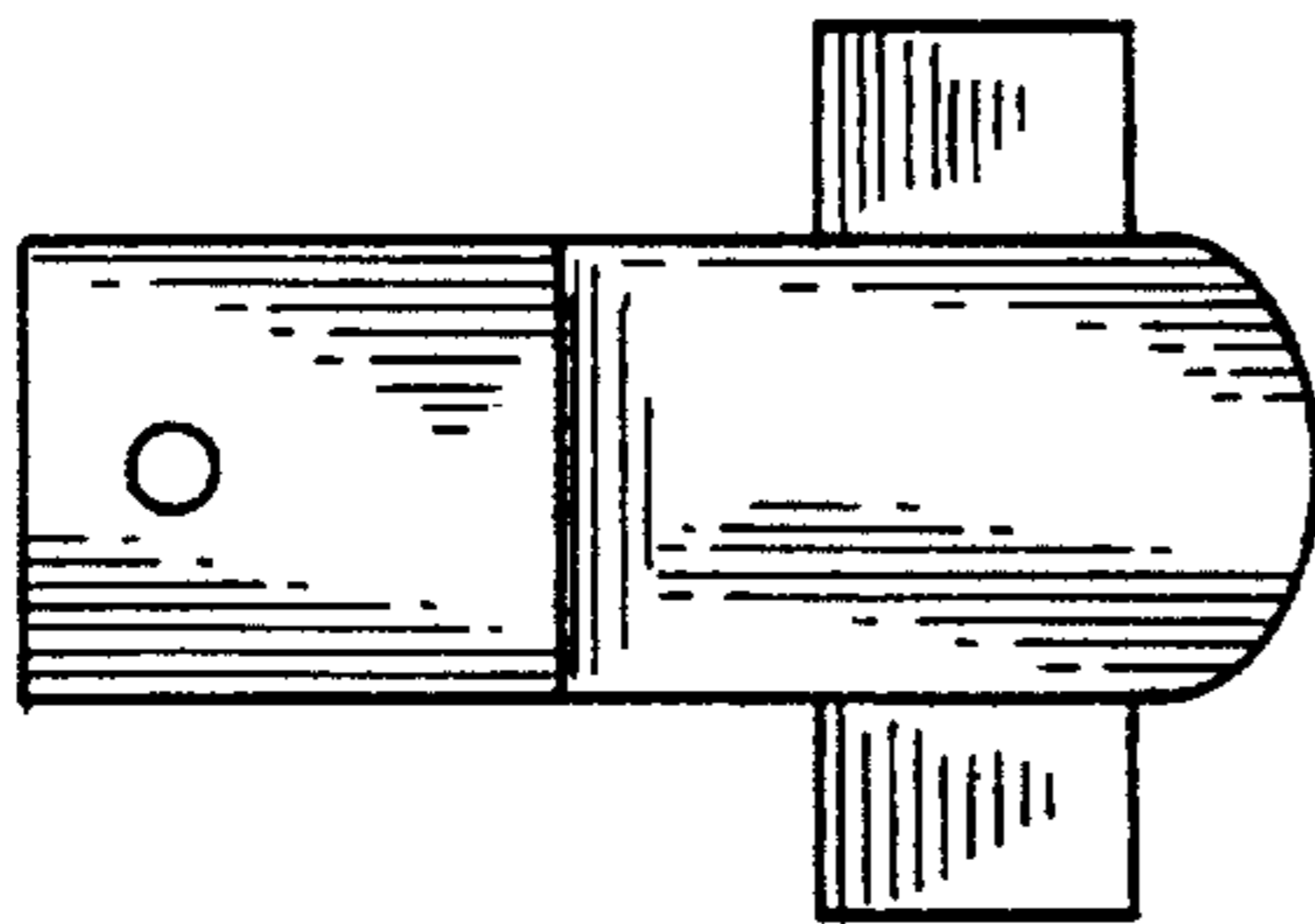
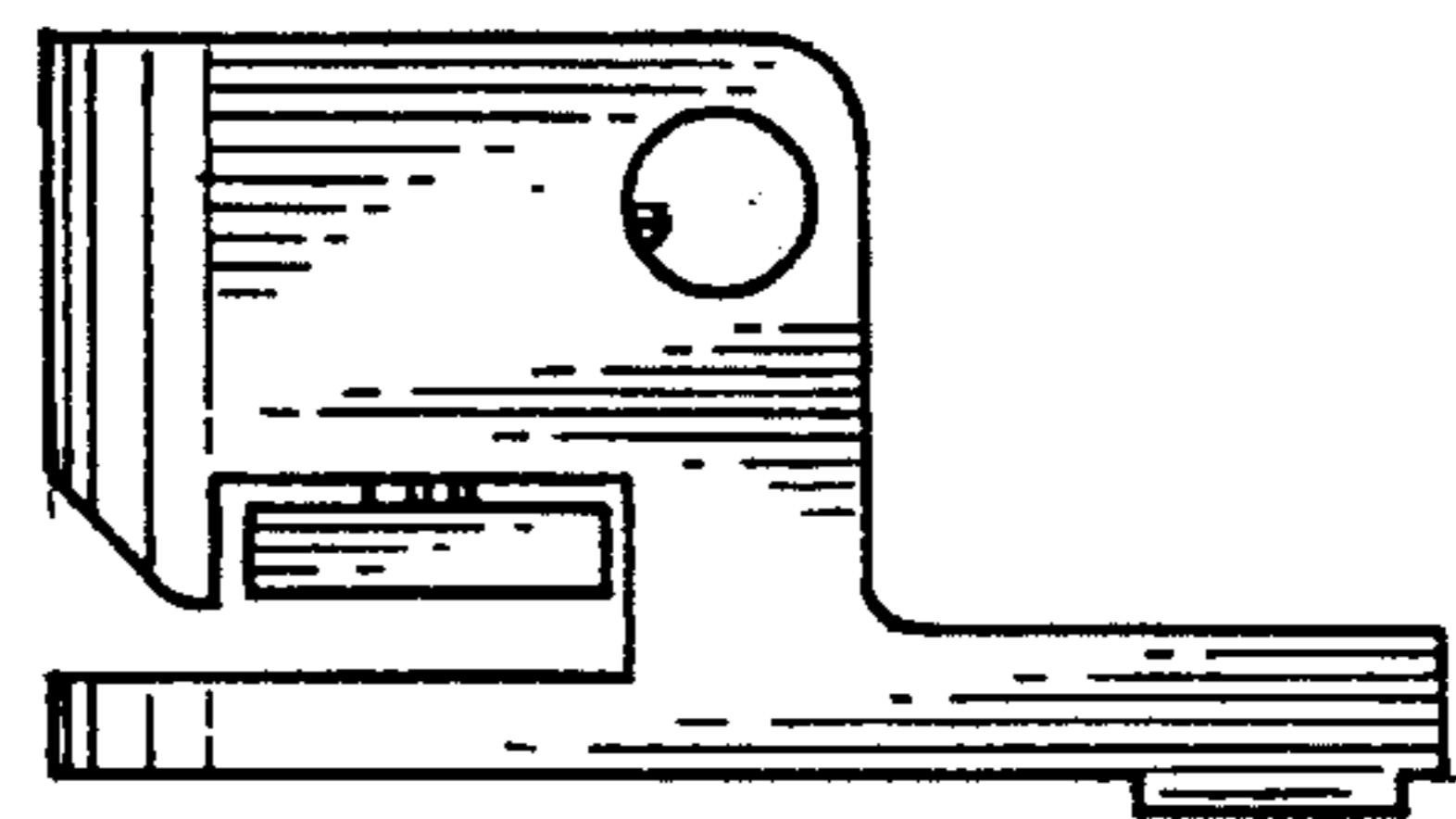
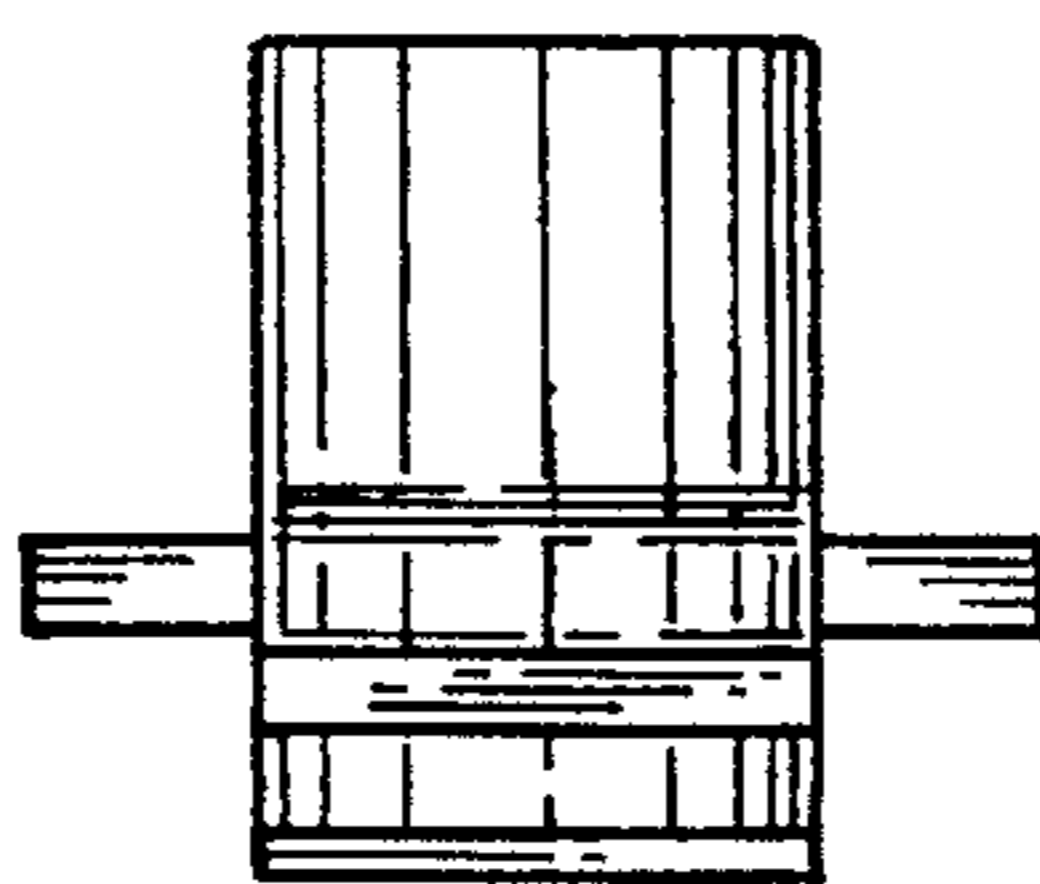
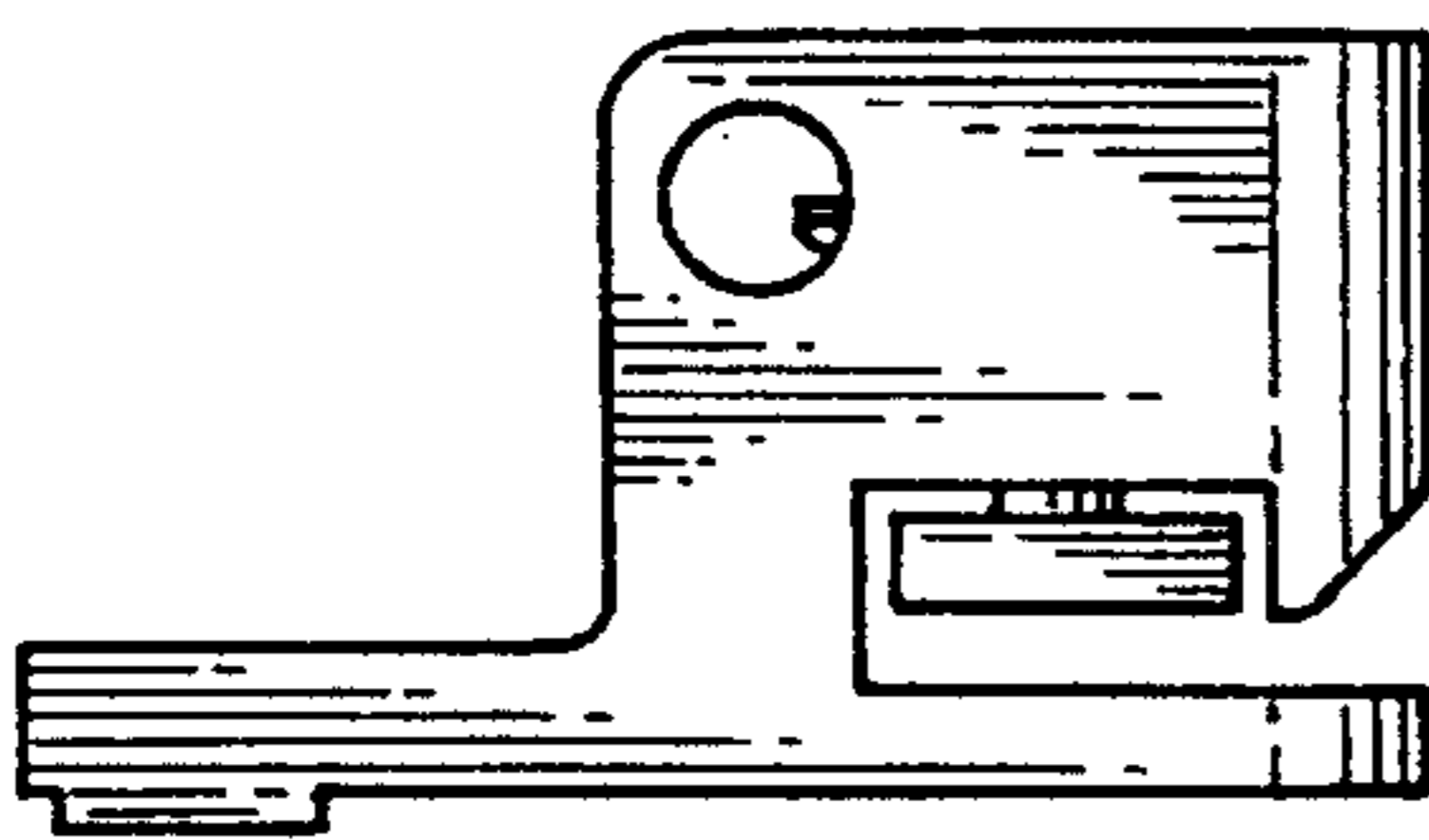


FIG. 5

FIG. 6

FIG. 7