



US00D375029S

United States Patent [19]

[11] Patent Number: **Des. 375,029**

Totten

[45] Date of Patent: ****Oct. 29, 1996**

[54] **FOLDING SAFETY CAN OPENER**

[76] Inventor: **Roger Totten**, 10372C W. Florida Ave., Lakewood, Colo. 80232

[**] Term: **14 Years**

[21] Appl. No.: **39,584**

[22] Filed: **May 31, 1995**

[52] U.S. Cl. **D8/41**

[58] Field of Search D8/18, 33, 34, D8/38, 39-41; 7/151-152, 156; 81/3.4, 3.09, 3.55; 30/429

[56] **References Cited**

U.S. PATENT DOCUMENTS

D. 274,688	7/1984	Escalante	D8/40
1,191,608	7/1916	Miner	30/408
1,507,093	9/1924	Schioniger	30/429
2,257,532	9/1941	Perocco	81/3.09
2,546,257	3/1951	Eckman	D8/41
2,677,882	5/1954	Scheringer	30/10
2,733,505	2/1956	Kenington et al.	30/22
2,761,210	9/1956	Chun	30/6.1
2,800,712	7/1957	Jernegan	D8/41
2,851,704	9/1958	Zoeller	7/152
3,027,634	4/1962	Hansen et al.	7/152
5,189,750	3/1993	Brennan	7/152

FOREIGN PATENT DOCUMENTS

446822 5/1936 United Kingdom .

Primary Examiner—Ted Shooman
Assistant Examiner—Adir Aronovich
Attorney, Agent, or Firm—Stephen A. Gratton

[57] **CLAIM**

The ornamental design for the folding safety can opener, as shown and described in the drawings.

DESCRIPTION

FIG. 1 is a bottom perspective view of a folding safety can opener showing my new design;

FIG. 2 is a reduced top plan view thereof;

FIG. 3 is a reduced left side elevational view of FIG. 2, the undisclosed right side elevational view being a mirror image thereof;

FIG. 4 is a reduced bottom plan view thereof;

FIG. 5 is a reduced top plan view thereof, the folding safety can opener shown in a folded position;

FIG. 6 is a reduced left side elevational view of FIG. 5, the undisclosed right side elevational view being a mirror image thereof;

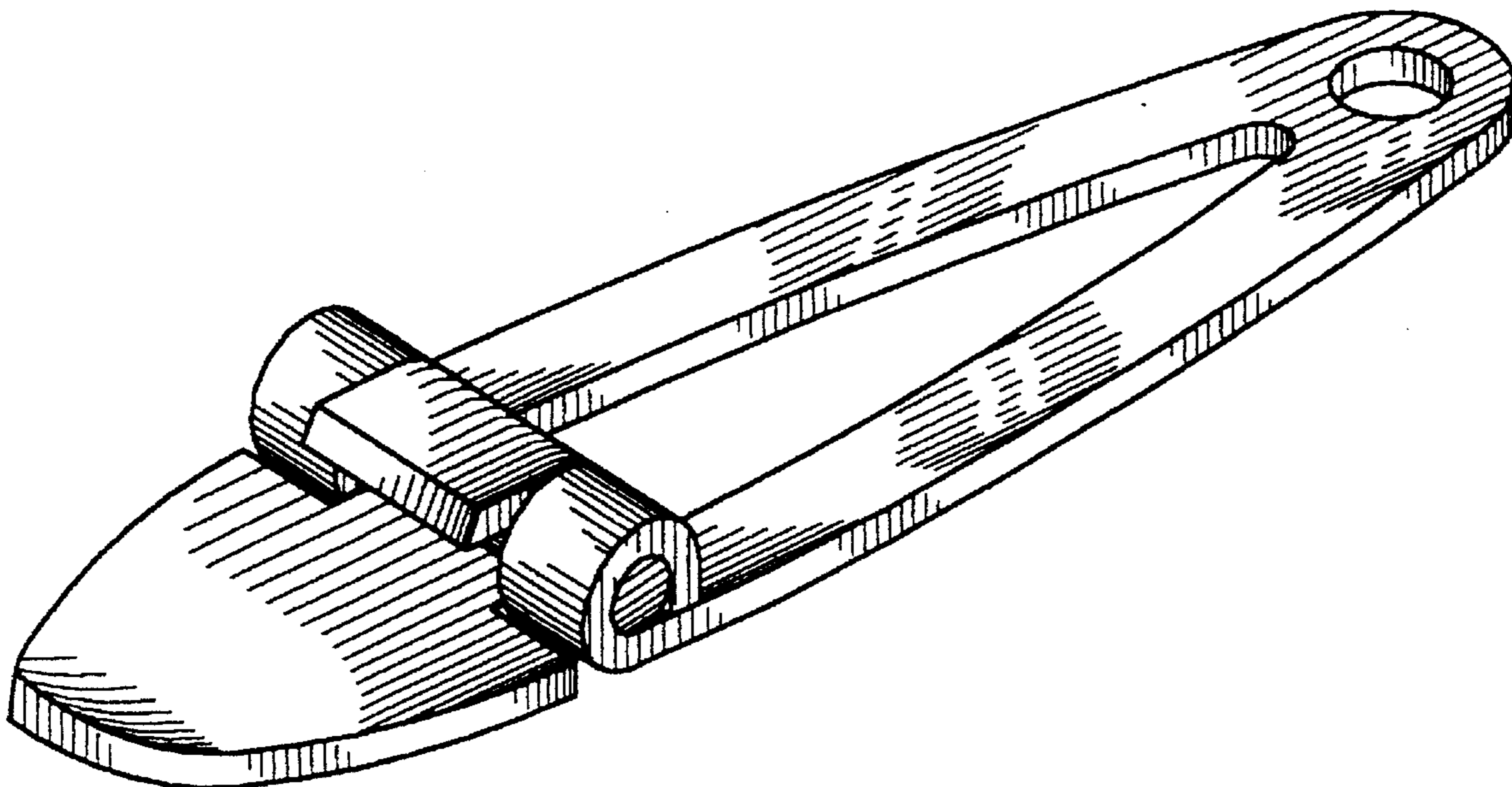
FIG. 7 is a reduced bottom plan view thereof, the can opener shown in a folded position;

FIG. 8 is a reduced top plan view of FIG. 2, the folding safety can opener shown in an operational position; and,

FIG. 9 is a reduced left side elevational view of FIG. 3, the folding safety can opener shown in an alternate operational position.

The broken line showing of a can is for illustrative purposes only and forms no part of the claimed design.

1 Claim, 2 Drawing Sheets



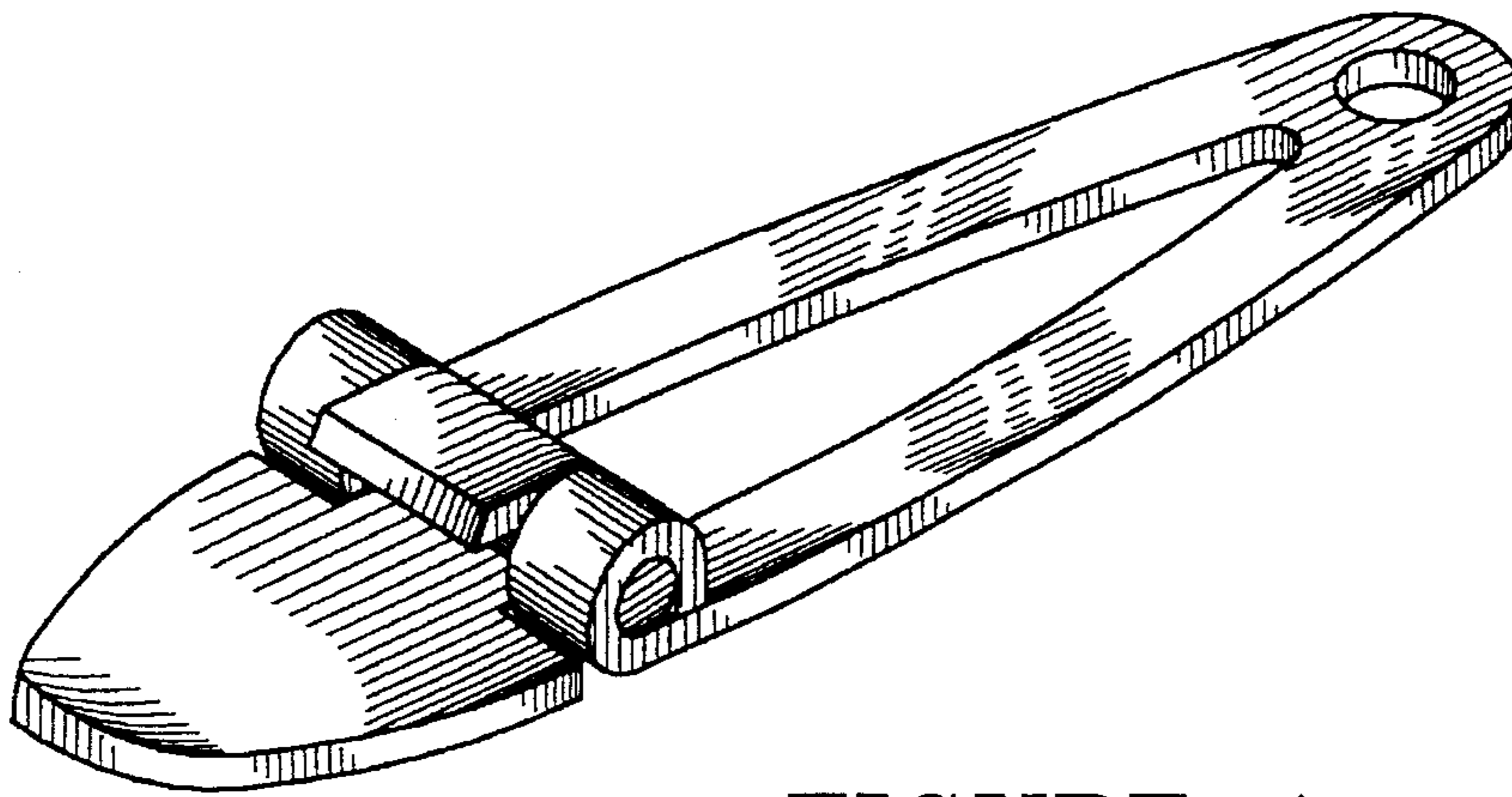


FIGURE 1

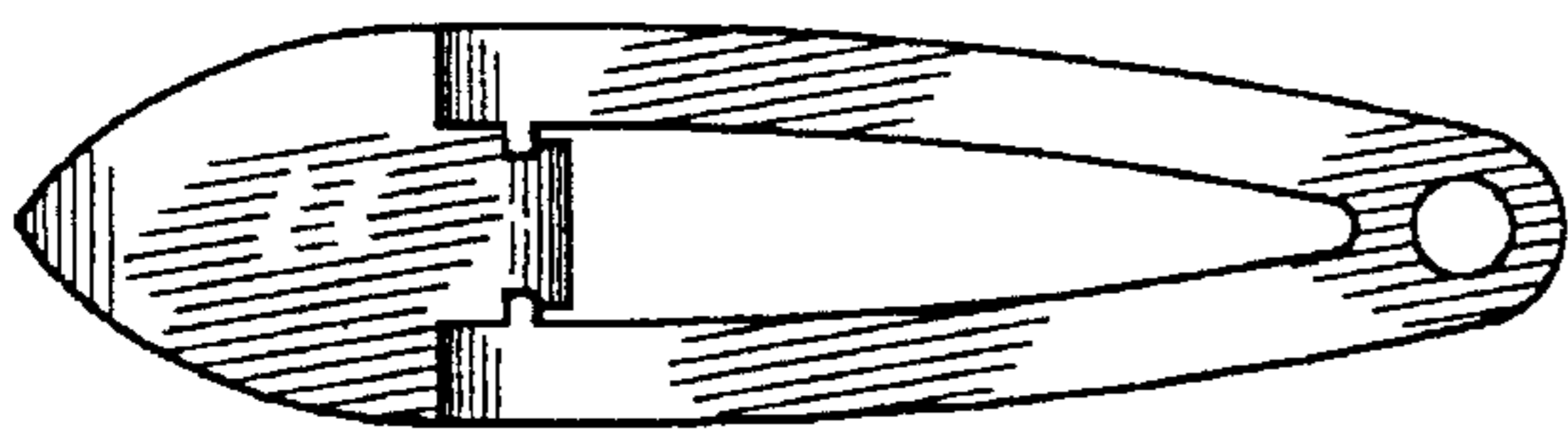


FIGURE 2

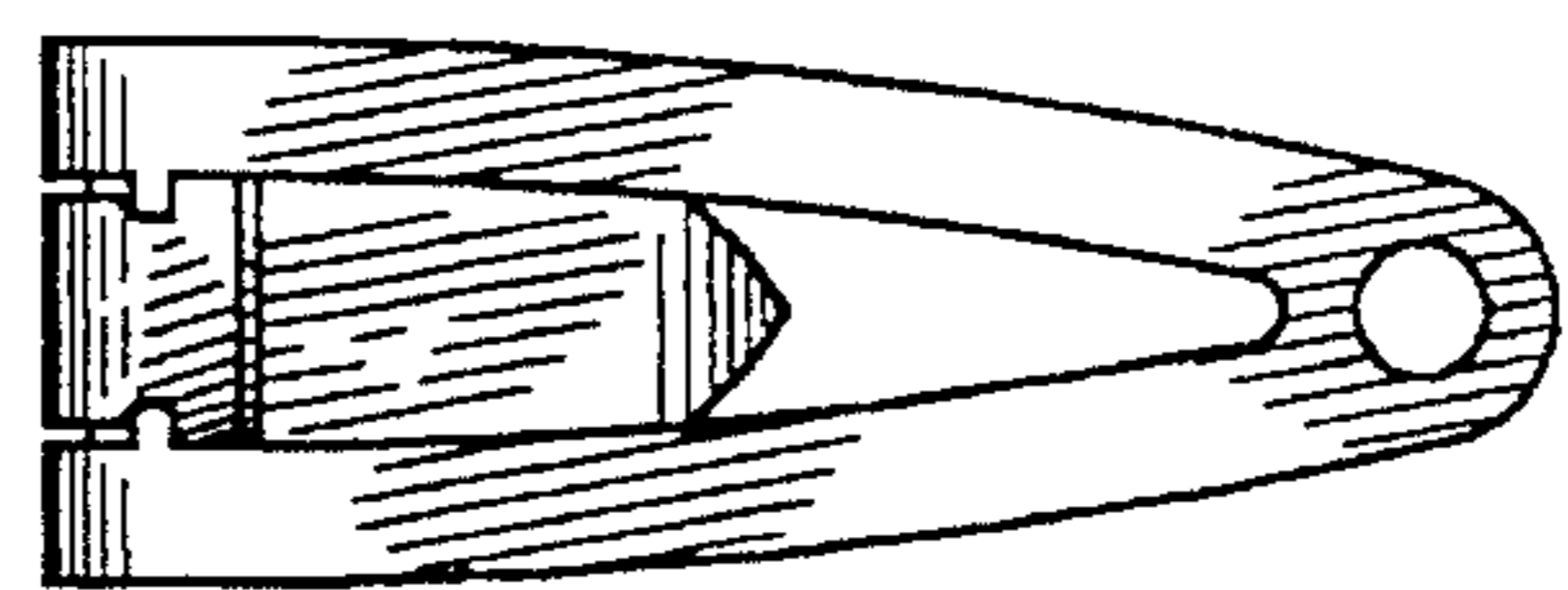


FIGURE 5



FIGURE 3



FIGURE 6

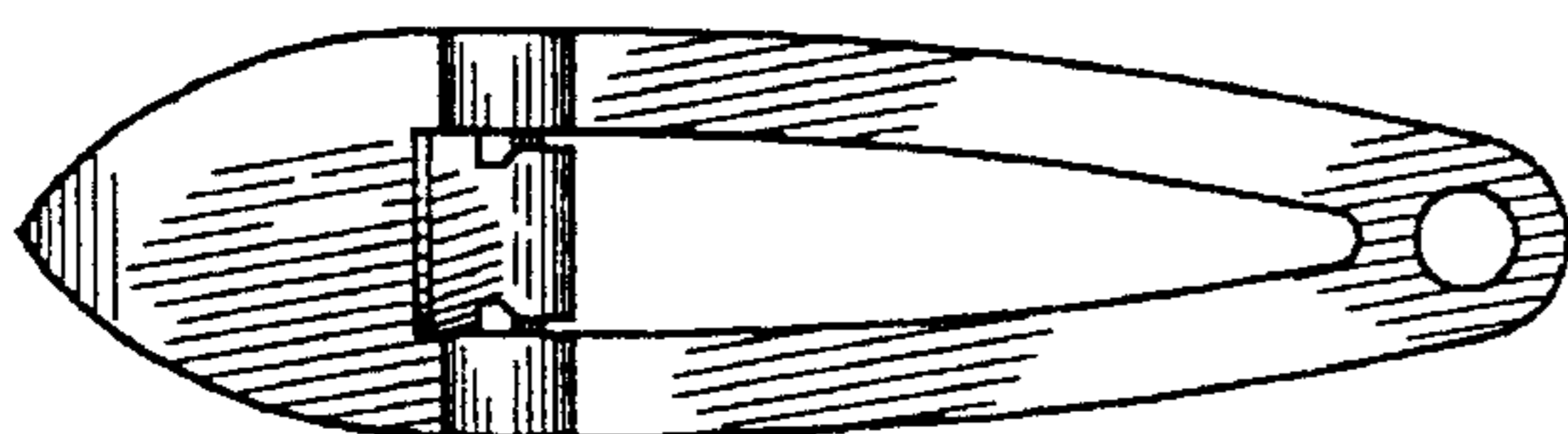


FIGURE 4

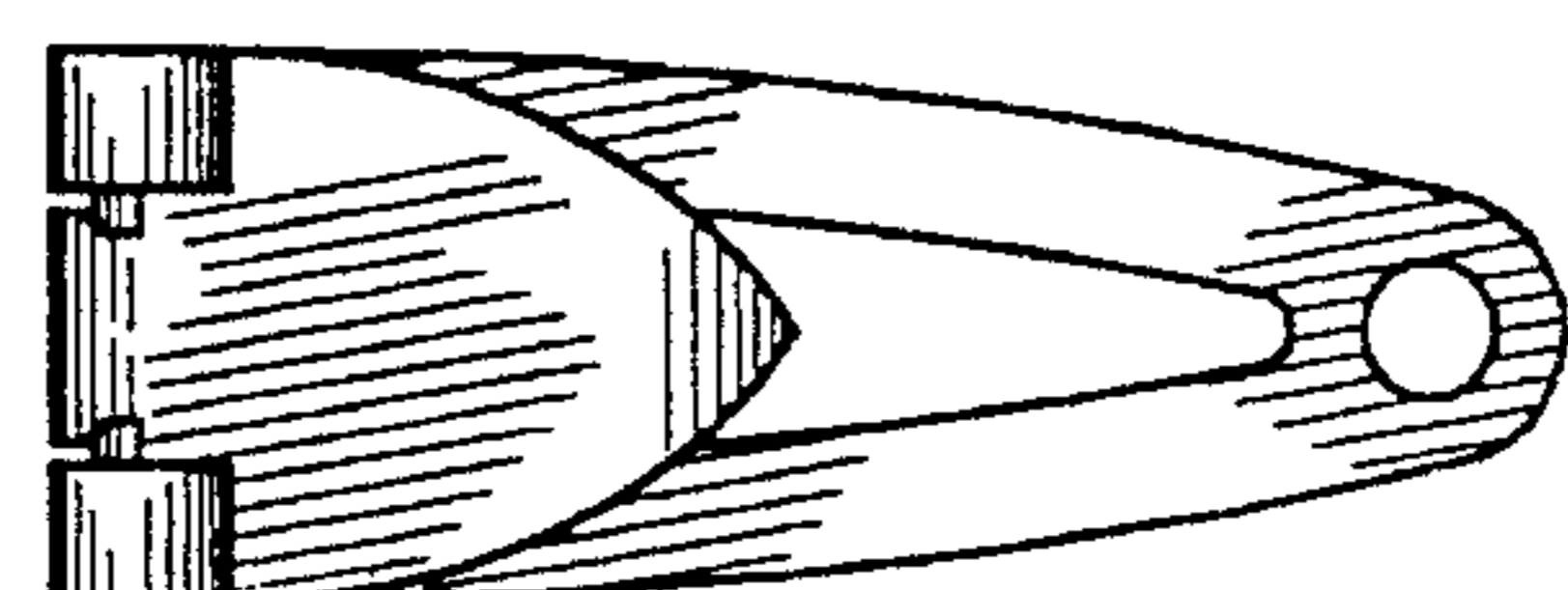


FIGURE 7

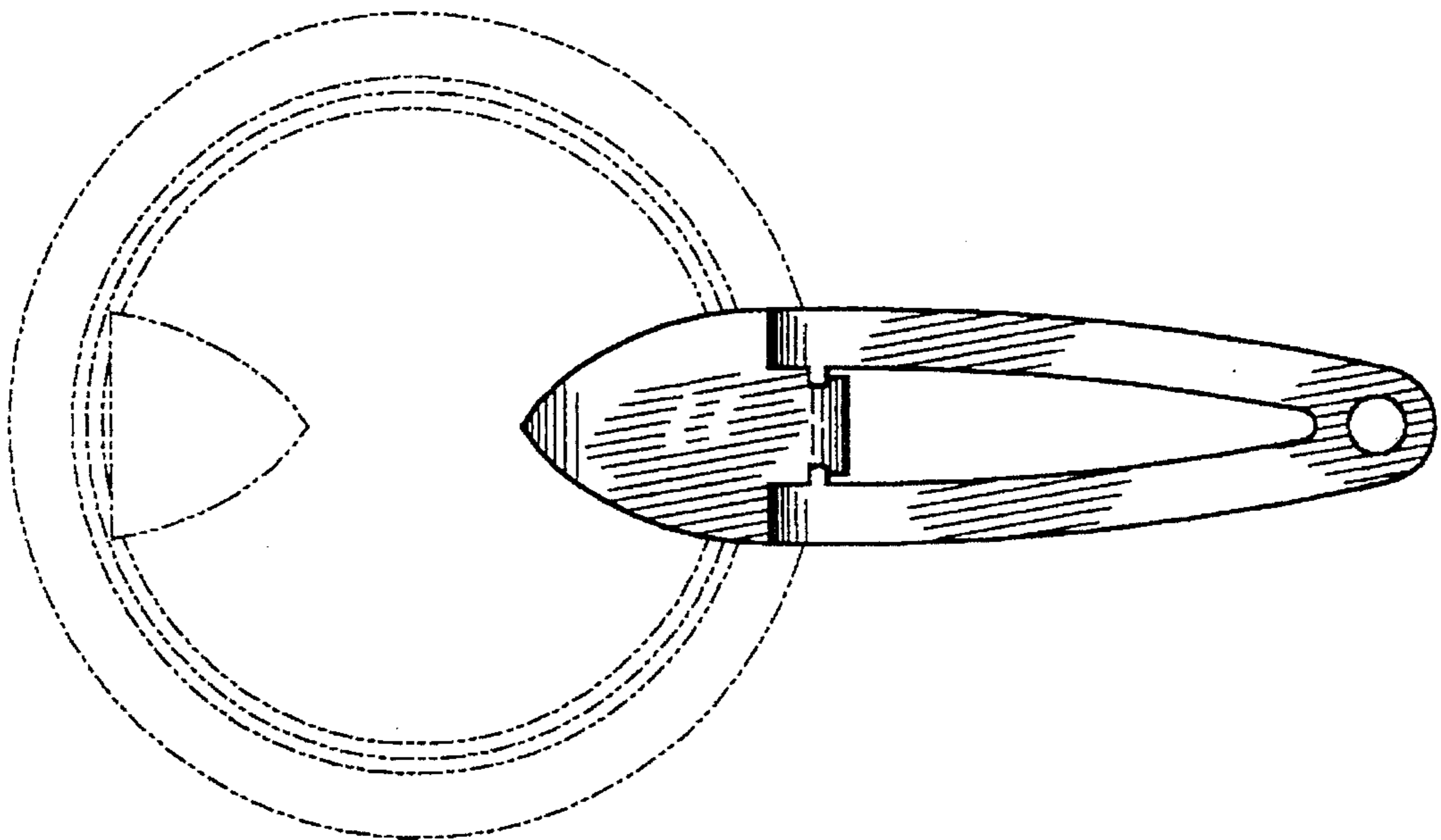


FIGURE 8

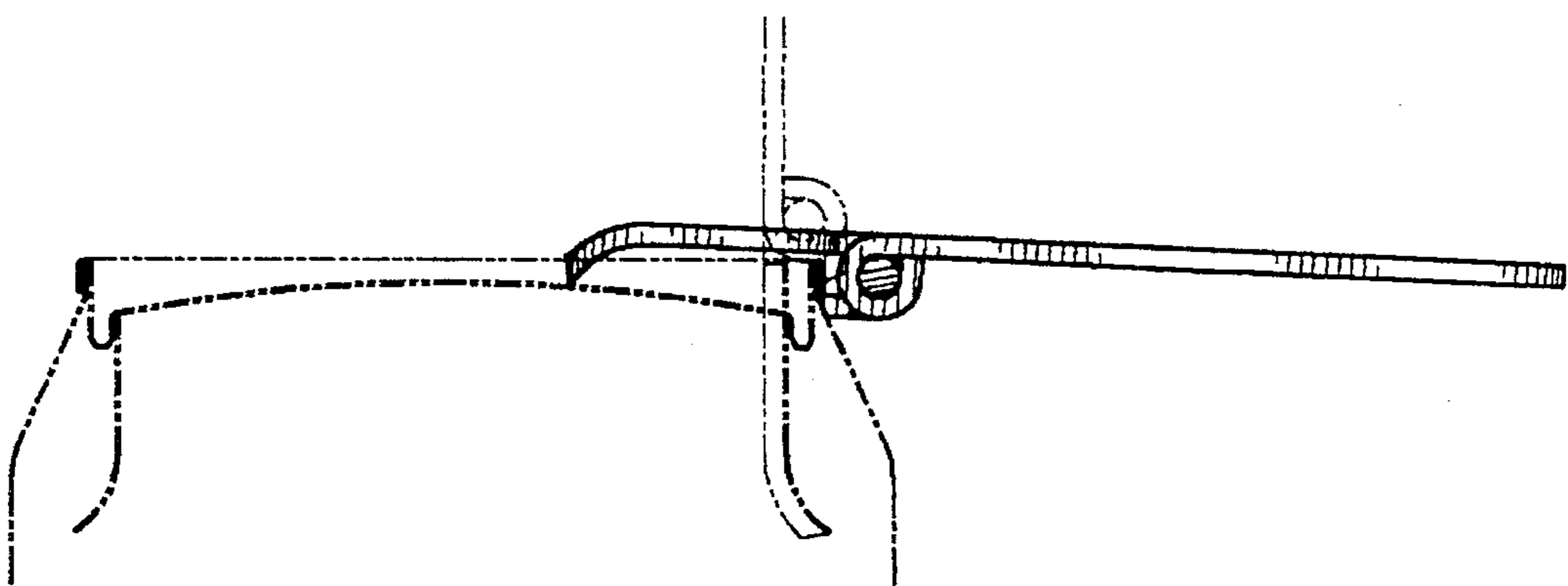


FIGURE 9