



US00D375022S

United States Patent [19] Smith

[11] Patent Number: **Des. 375,022**

[45] Date of Patent: ****Oct. 29, 1996**

[54] **COOLER ON WHEELS**

[76] Inventor: **Dale G. Smith**, 3316 Hanover Dr.,
Rockford, Ill. 61101

[**] Term: **14 Years**

[21] Appl. No.: **45,555**

[22] Filed: **Oct. 23, 1995**

[52] U.S. Cl. **D7/605**

[58] Field of Search D7/605-608; D3/273,
D3/279, 294; D15/79, 81, 83; D34/12,
19, 24, 25; 62/457.1, 457.7, 239; 280/43.1,
43.24, 651, 652, 645

[56] **References Cited**

U.S. PATENT DOCUMENTS

D. 340,620	10/1993	Peters	D7/605
D. 353,304	12/1994	Friedrich	D7/605
3,591,194	7/1971	Vega	.	
4,724,681	2/1988	Bartholomew	.	

4,873,841	10/1989	Bradshaw	.
5,259,215	11/1993	Rocca 62/457.7 X
5,373,708	12/1994	Dumoulin, Jr. 62/457.7

Primary Examiner—Terry A. Wallace
Attorney, Agent, or Firm—Terry M. Gernstein

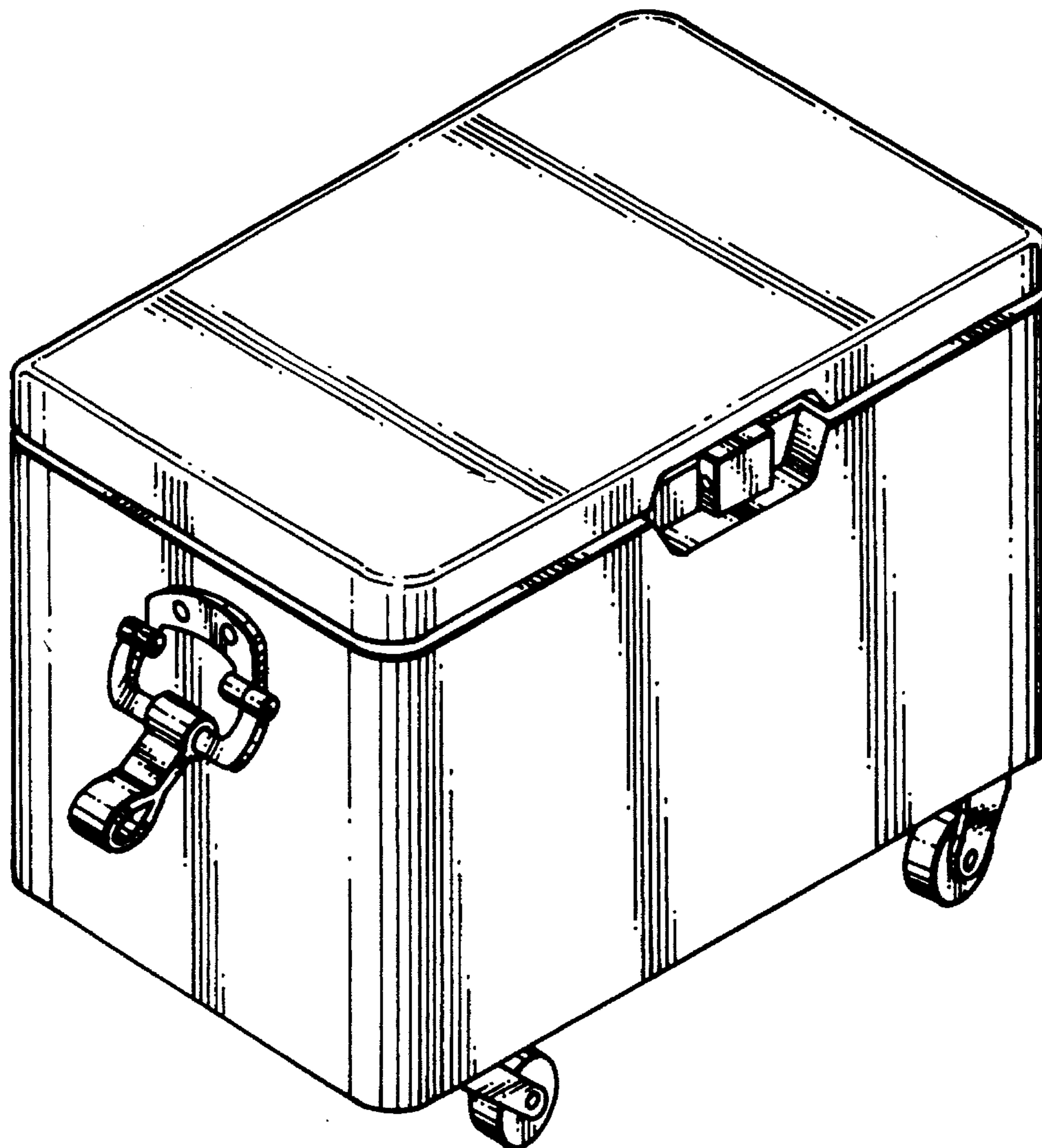
[57] **CLAIM**

The ornamental design for a cooler on wheels, as shown and described.

DESCRIPTION

FIG. 1 is a front, top and side perspective view of the cooler on wheels showing my new design;
FIG. 2 is a front elevational view thereof;
FIG. 3 is a rear elevational view thereof;
FIG. 4 is an end elevational view thereof, the end opposite being a mirror image of the end shown in FIG. 4;
FIG. 5 is a top plan view thereof; and,
FIG. 6 is a bottom plan view thereof.

1 Claim, 4 Drawing Sheets



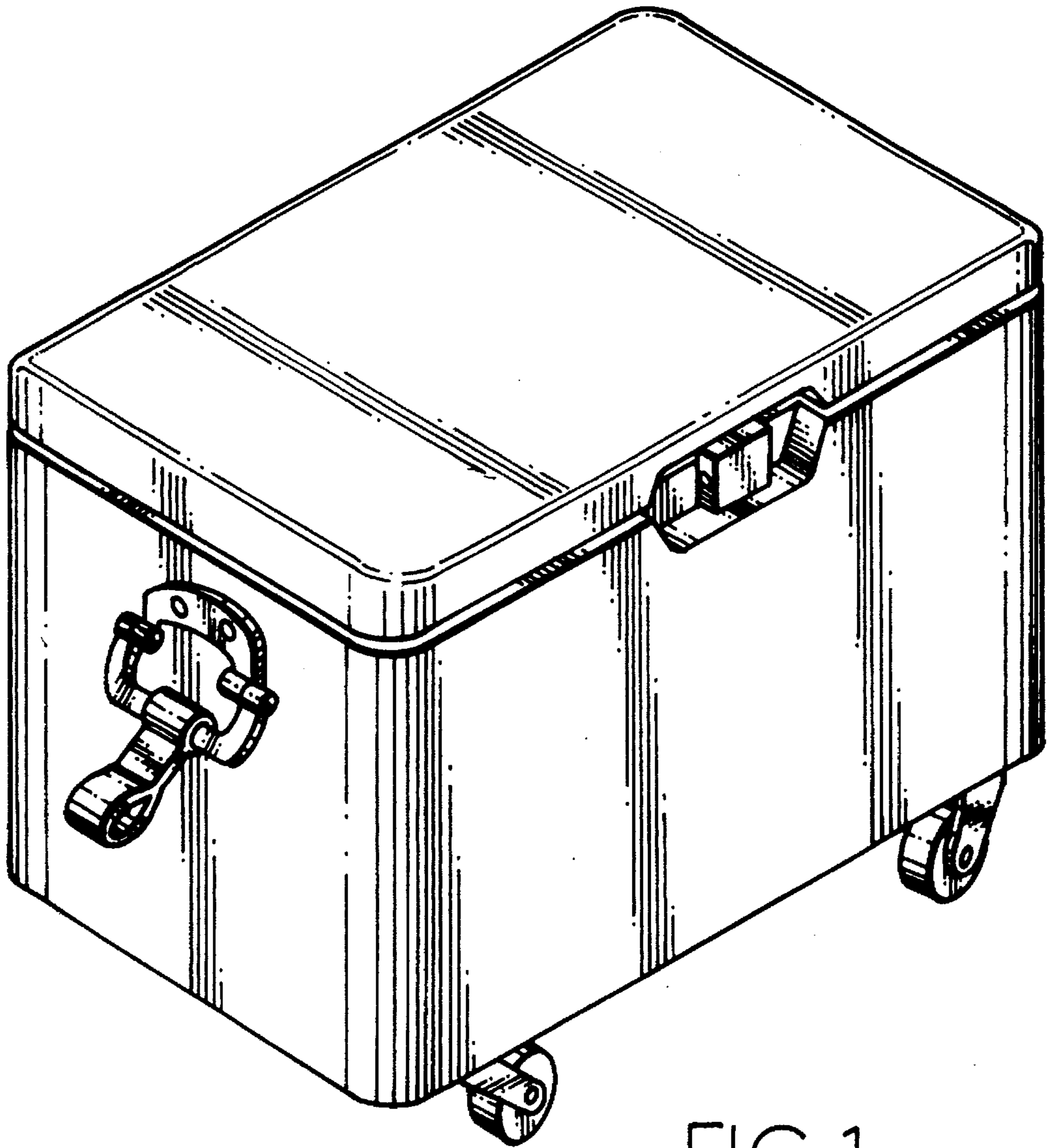


FIG. 1.

FIG. 2.

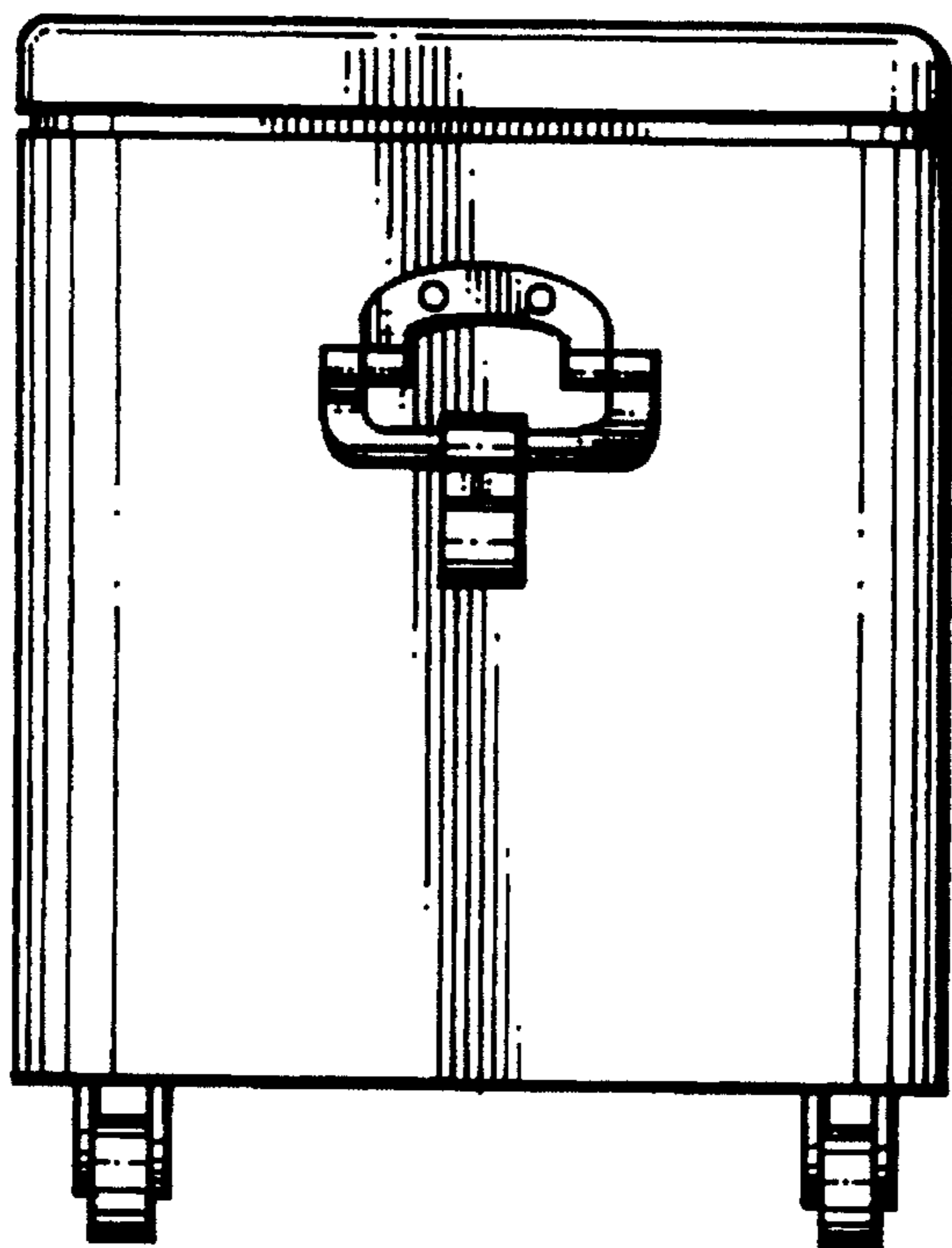
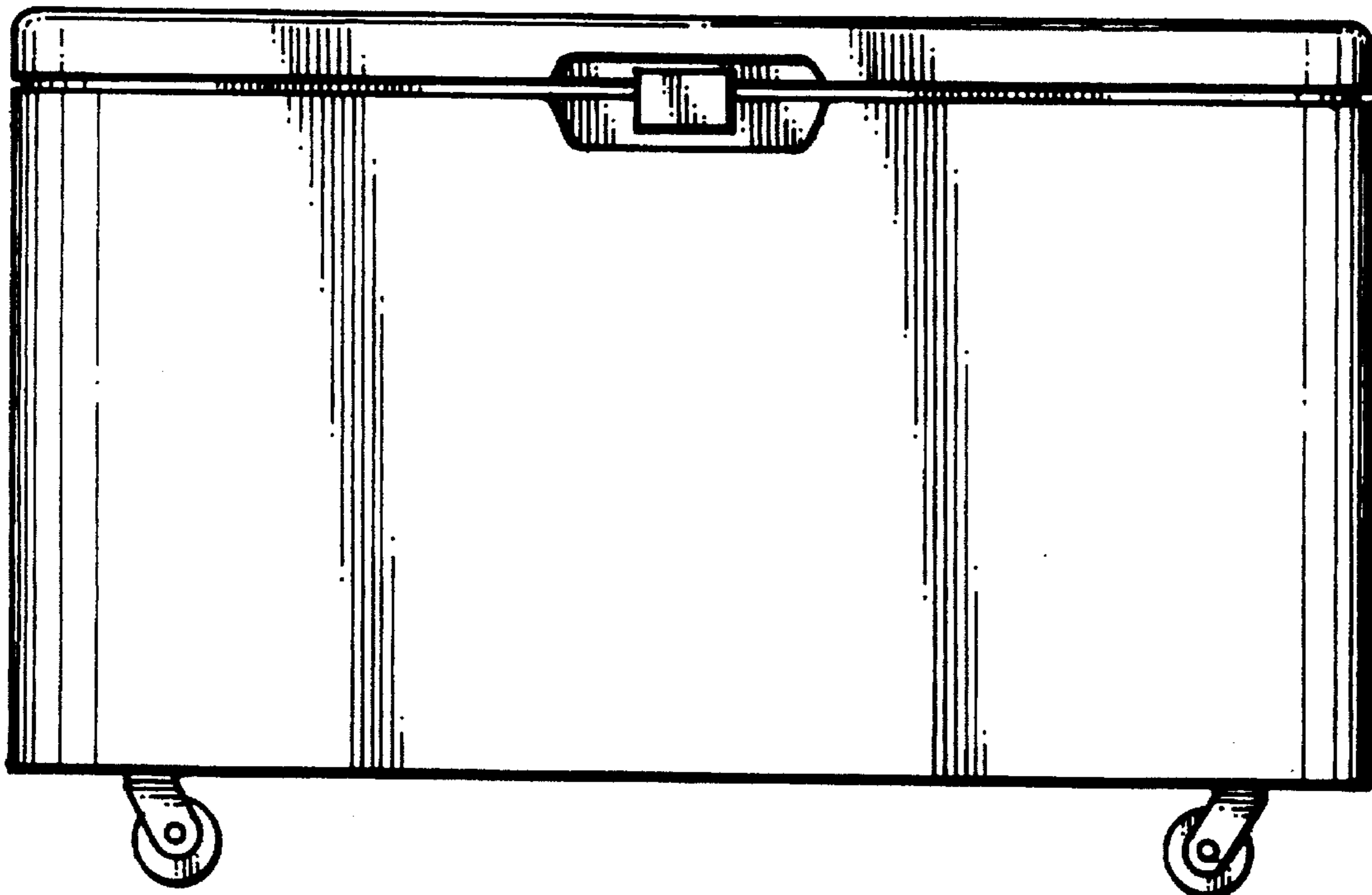


FIG. 4.

FIG. 3.

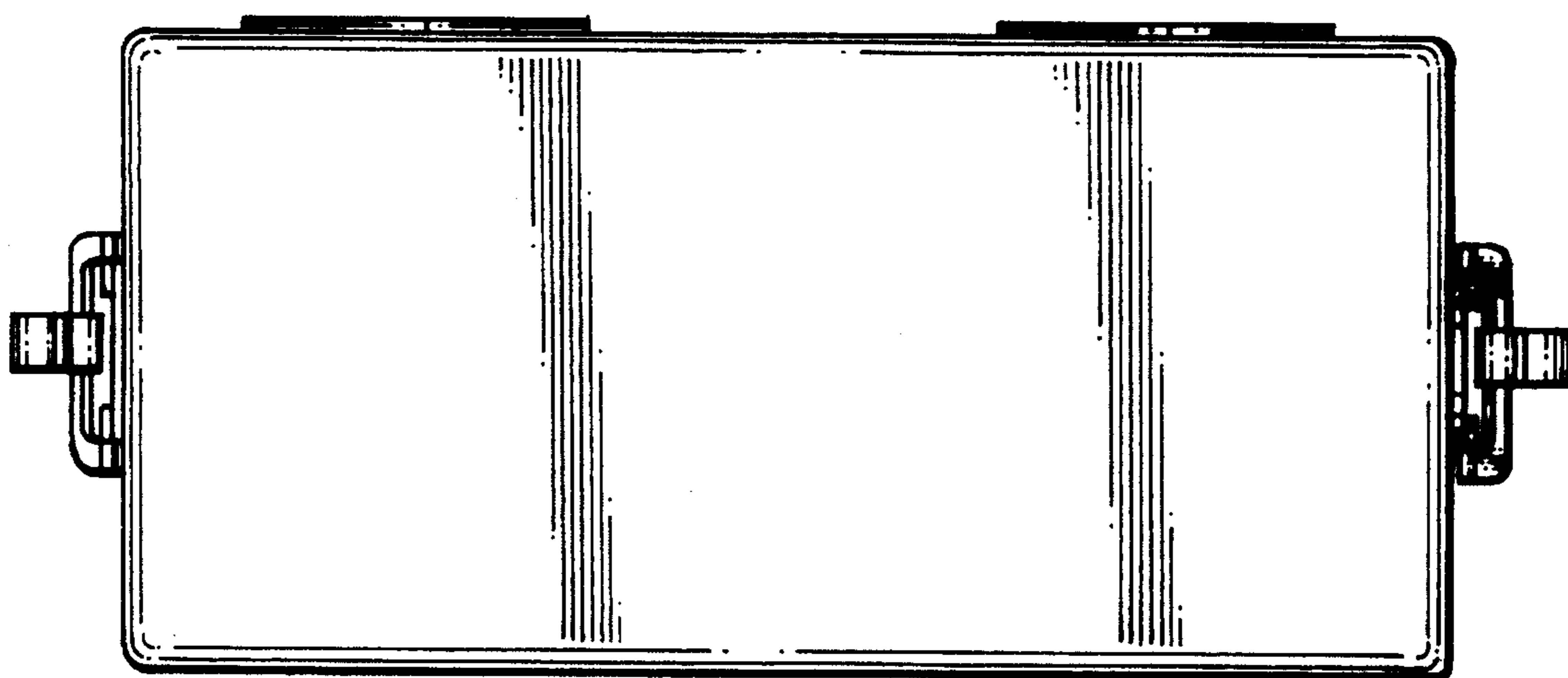
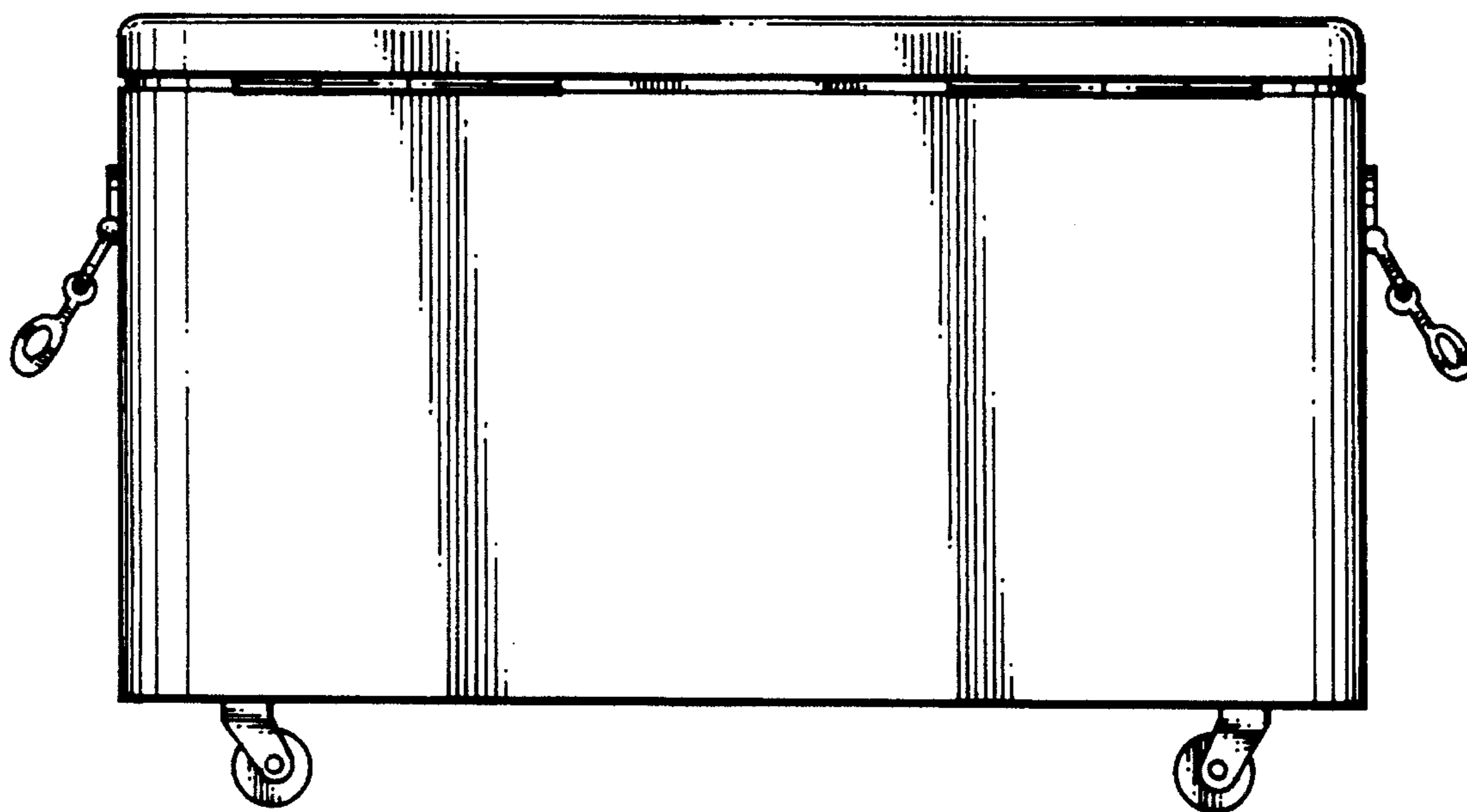


FIG. 5.

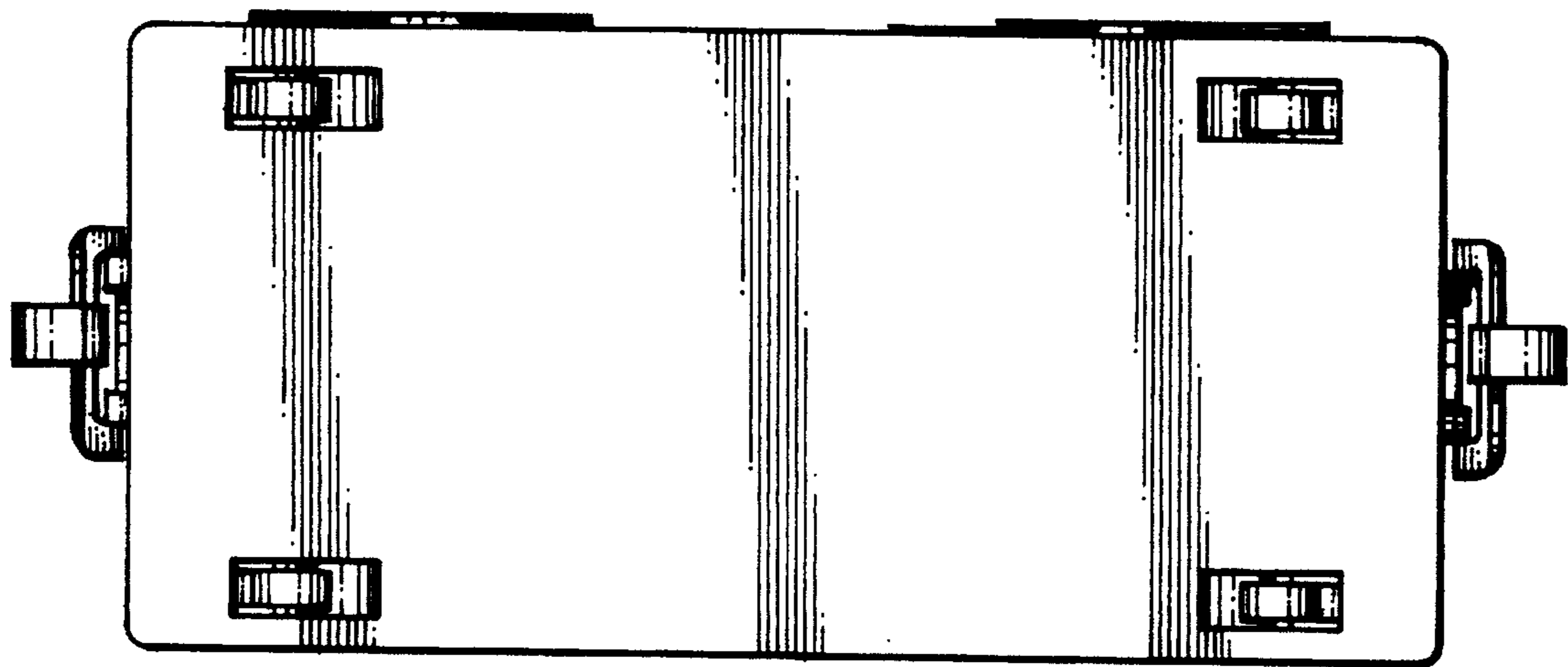


FIG. 6.