



US00D375020S

United States Patent [19]
Cothern

[11] **Patent Number:** **Des. 375,020**

[45] **Date of Patent:** ****Oct. 29, 1996**

- [54] **HOLDER FOR FOOD SMOKING MATERIALS**
- [76] Inventor: **Leslie R. Cothern**, 4547 Baton Rouge Dr., Hermitage, Tenn. 37076
- [**] Term: **14 Years**
- [21] Appl. No.: **23,274**
- [22] Filed: **May 20, 1994**
- [52] **U.S. Cl.** **D7/402**
- [58] **Field of Search** 99/450, 482; 126/25 R, 126/41 R, 59.5; 206/524.6; 239/136, 57, 60, 566; 426/235, 314, 315; D7/332, 402

[56] **References Cited**

U.S. PATENT DOCUMENTS

975,611	11/1910	Fulghum	126/59.5
4,779,525	10/1988	Gaines	99/482
4,934,272	6/1990	Stermin et al.	99/482
5,048,406	9/1991	Cofer	99/482

Primary Examiner—Ruth McInroy
Attorney, Agent, or Firm—David L. Baker; Rhodes & Ascolillo

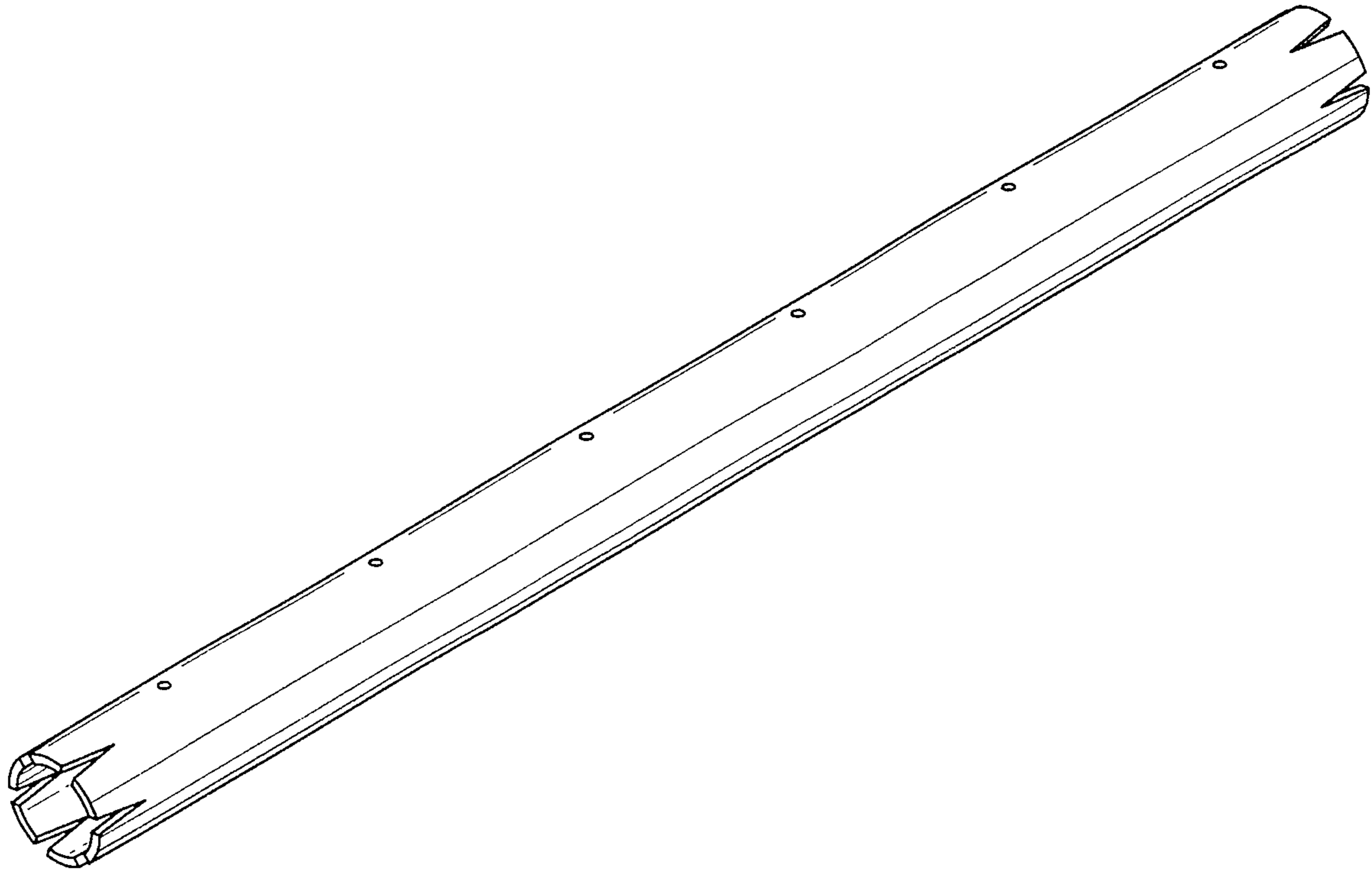
[57] **CLAIM**

The ornamental design for an holder for food smoking materials, as shown and described.

DESCRIPTION

FIG. 1 is a perspective view of an holder for food smoking materials showing my new design therefor;
 FIG. 2 is a front end elevational view, the rear end elevational view being a mirror image thereof;
 FIG. 3 is a truncated top plan view;
 FIG. 4 is a truncated left side elevational view, the truncated right side elevational view being a mirror image thereof; and,
 FIG. 5 is a truncated bottom plan view.
 FIGS. 3 through 5 are shown broken away for ease of illustration. The length of the holder is shown in FIG. 1.

1 Claim, 2 Drawing Sheets



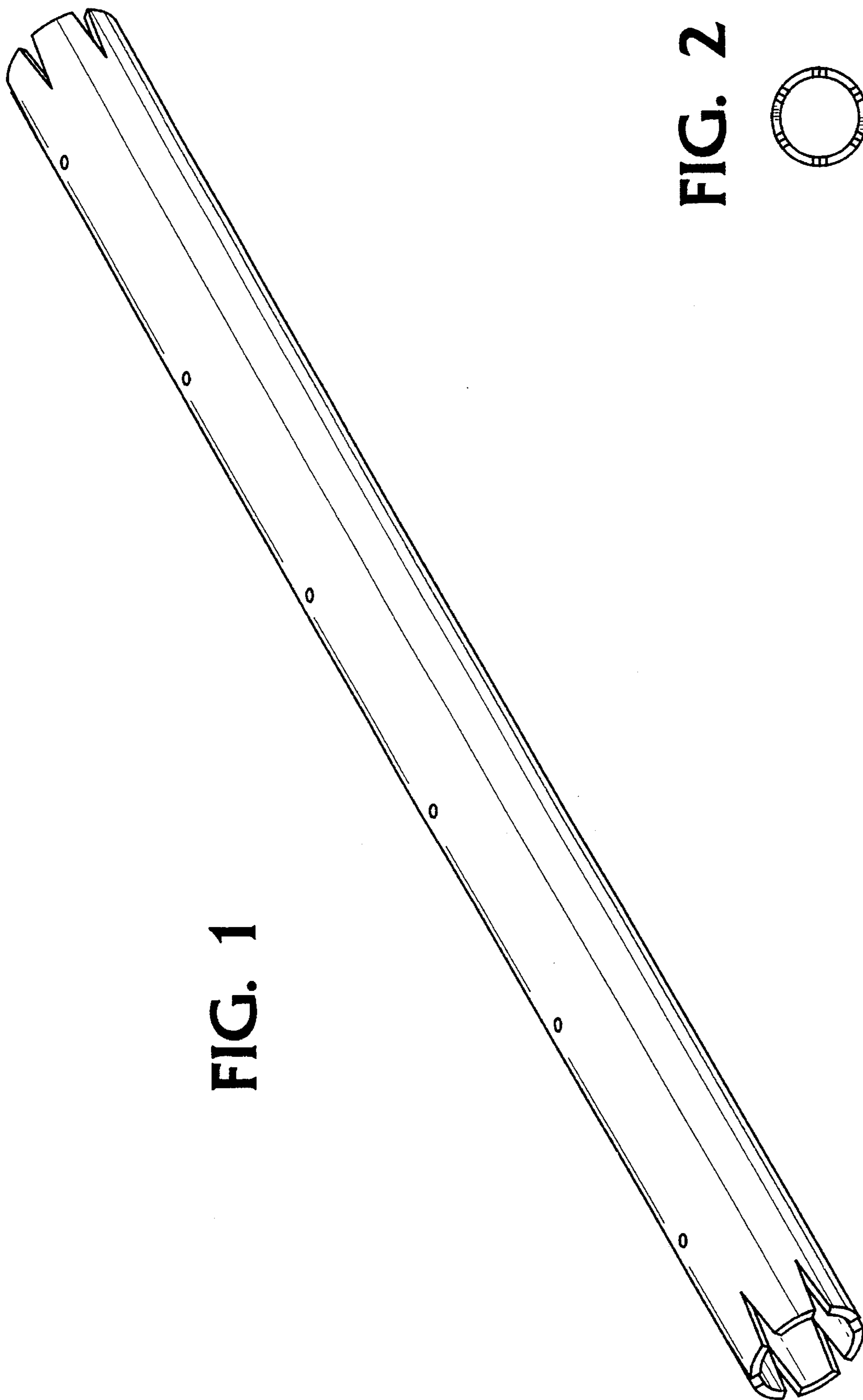


FIG. 1

FIG. 2

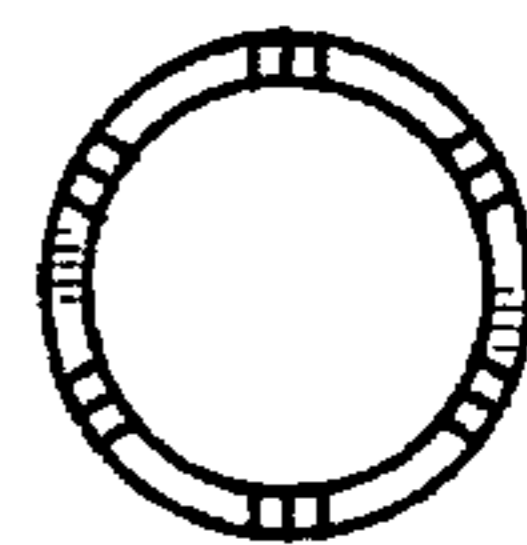


FIG. 3

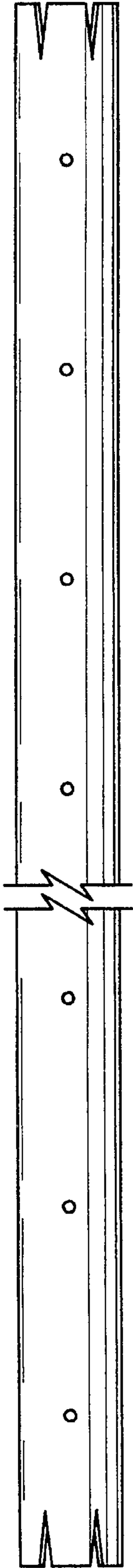


FIG. 4

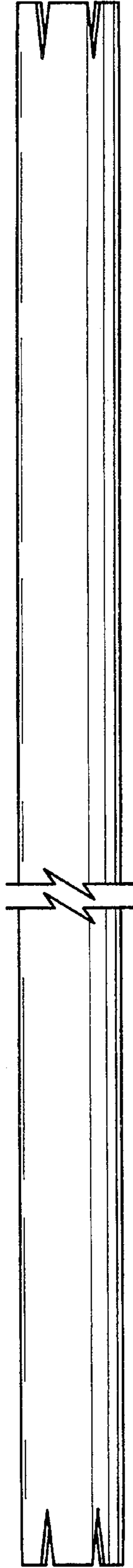


FIG. 5

