



US00D375019S

# United States Patent [19]

Goto et al.

[11] Patent Number: **Des. 375,019**

[45] Date of Patent: **\*\*Oct. 29, 1996**

[54] **CAP FOR DRINK CONTAINER**

[75] Inventors: **Toru Goto; Seiichi Ito; Kunio Hatsumoto; Yasuhiro Murakami**, all of Tokyo, Japan

[73] Assignee: **Nippon Sanso Corporation**, Tokyo, Japan

[\*\*] Term: **14 Years**

[21] Appl. No.: **44,226**

[22] Filed: **Sep. 20, 1995**

[30] **Foreign Application Priority Data**

Jul. 14, 1995 [JP] Japan ..... 7-20537  
[52] U.S. Cl. .... **D7/392.1**; D9/440; D9/439  
[58] Field of Search ..... D7/391, 392.1, D7/510, 511; D9/435, 434, 439, 440, 445, 457, 447; 215/256, 306

[56] **References Cited**

**U.S. PATENT DOCUMENTS**

D. 176,644 1/1956 Terwilliger ..... D9/439  
D. 182,301 3/1958 Pancrazi ..... D9/439  
D. 185,724 7/1959 Terwilliger ..... D9/439  
D. 187,402 3/1960 Fessler ..... D9/439

D. 188,471 7/1960 Terwilliger ..... D9/439  
D. 219,806 2/1971 Coleman et al. .... D9/439  
D. 240,716 7/1976 Hegi ..... D9/440  
D. 288,667 3/1987 Miner ..... D9/440 X  
D. 289,378 4/1987 Miskinis ..... D9/439  
3,716,163 2/1973 Marcel ..... D9/439 X  
4,474,302 10/1984 Goldberg et al. .... 215/256

*Primary Examiner*—M. N. Pandozzi

*Attorney, Agent, or Firm*—Lowe, Price, LeBlanc & Becker

[57] **CLAIM**

The ornamental design for the cap for drink container, as shown and described.

**DESCRIPTION**

FIG. 1 is a perspective view of a cap for drink container showing our new design;  
FIG. 2 is a front elevational view thereof;  
FIG. 3 is a rear elevational view thereof;  
FIG. 4 is a top plan view thereof;  
FIG. 5 is a bottom plan view thereof;  
FIG. 6 is a right side elevational view thereof;  
FIG. 7 is a left side elevational view thereof; and,  
FIG. 8 is a perspective view of the cap for drink container showing a mouth in open position thereof.

**1 Claim, 2 Drawing Sheets**

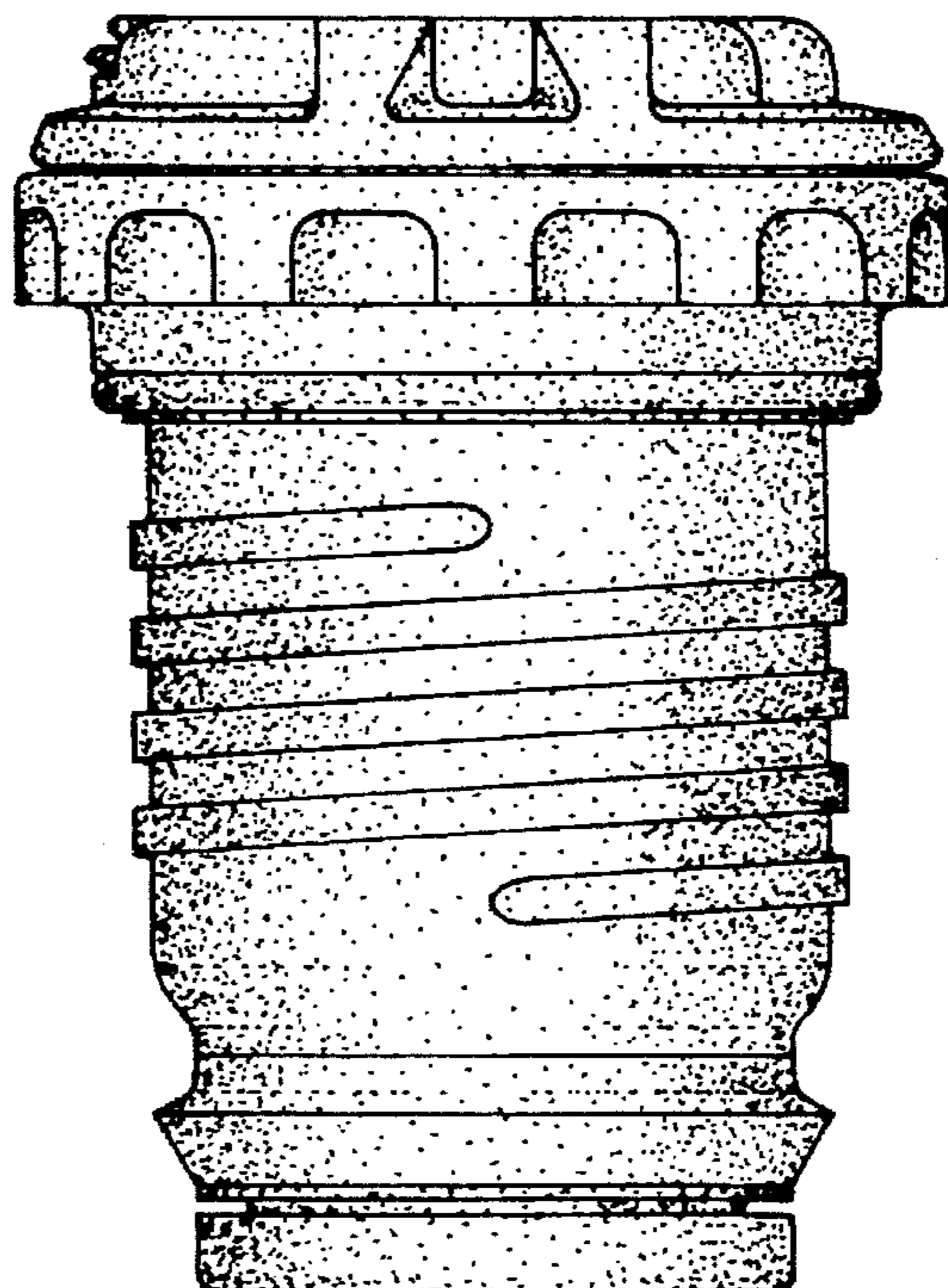
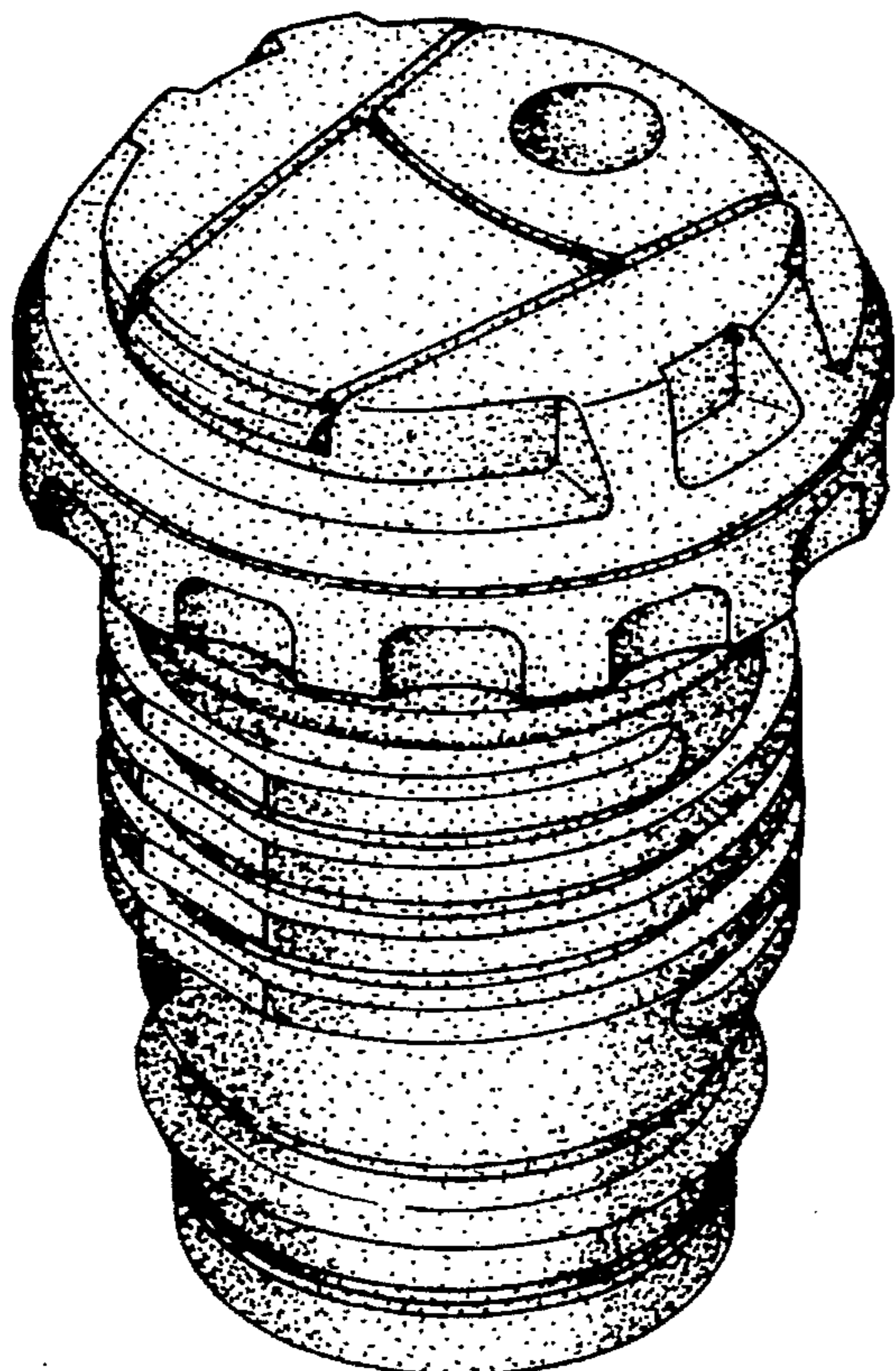


FIG. 1

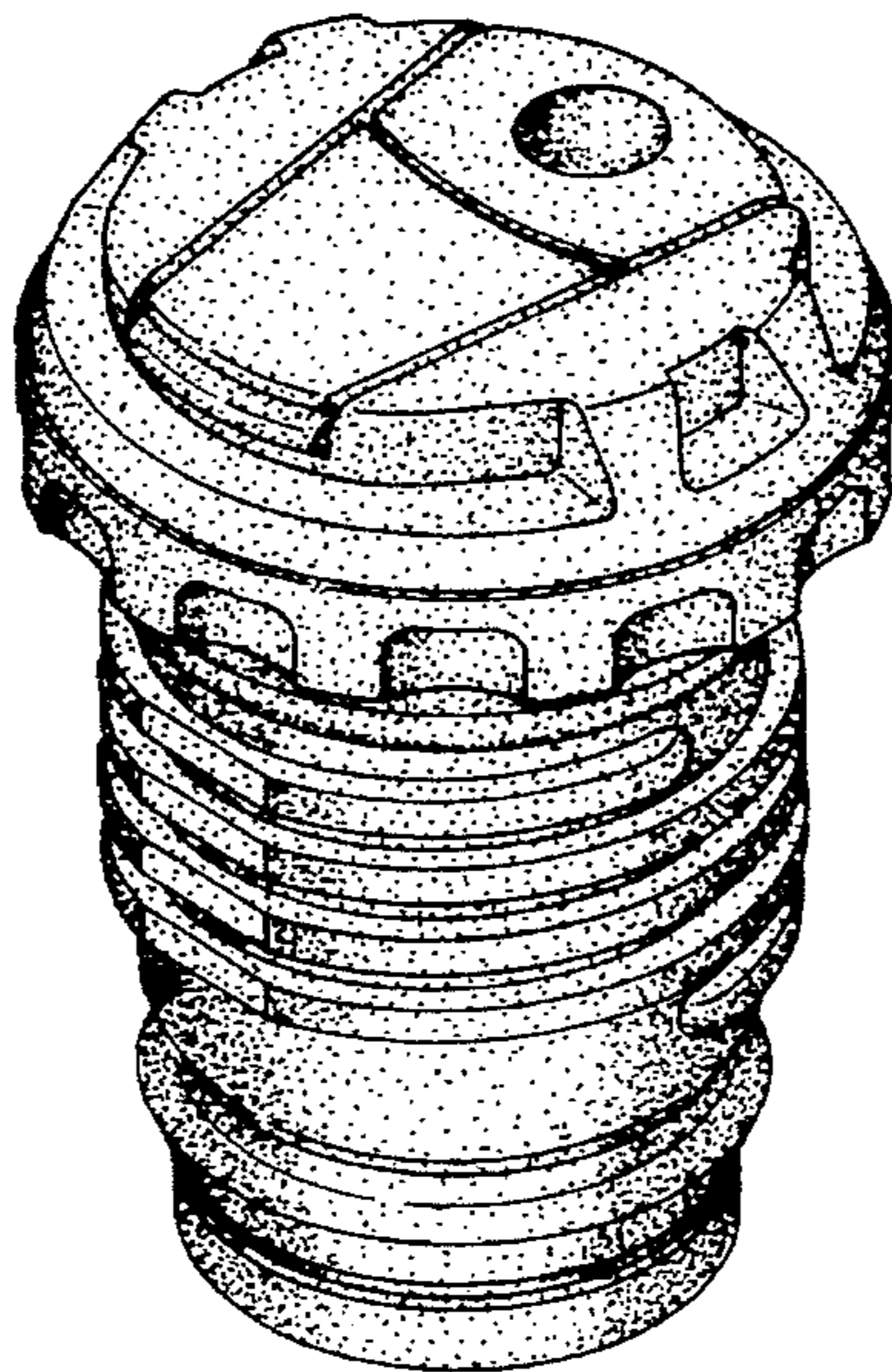


FIG. 3

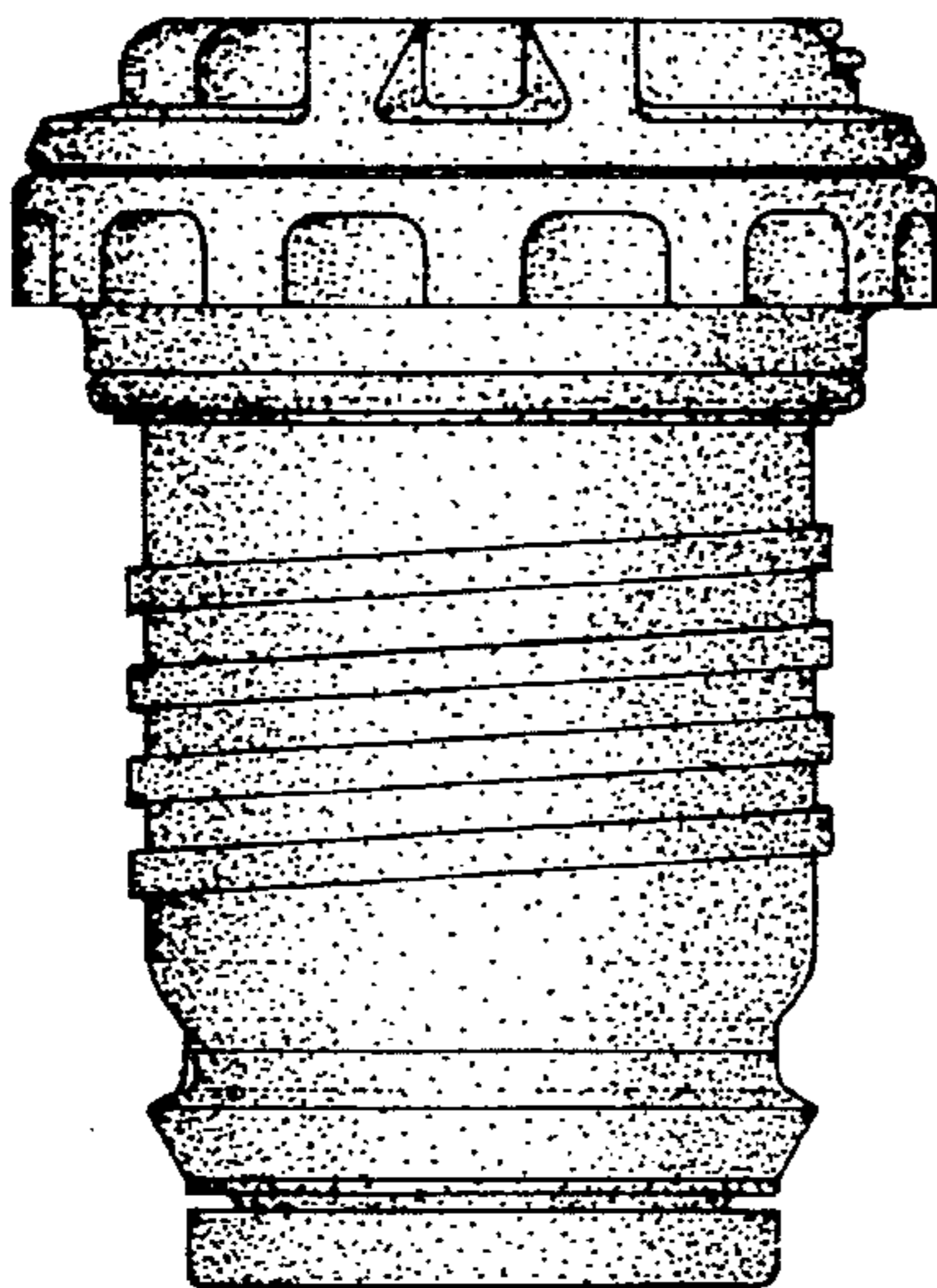


FIG. 2

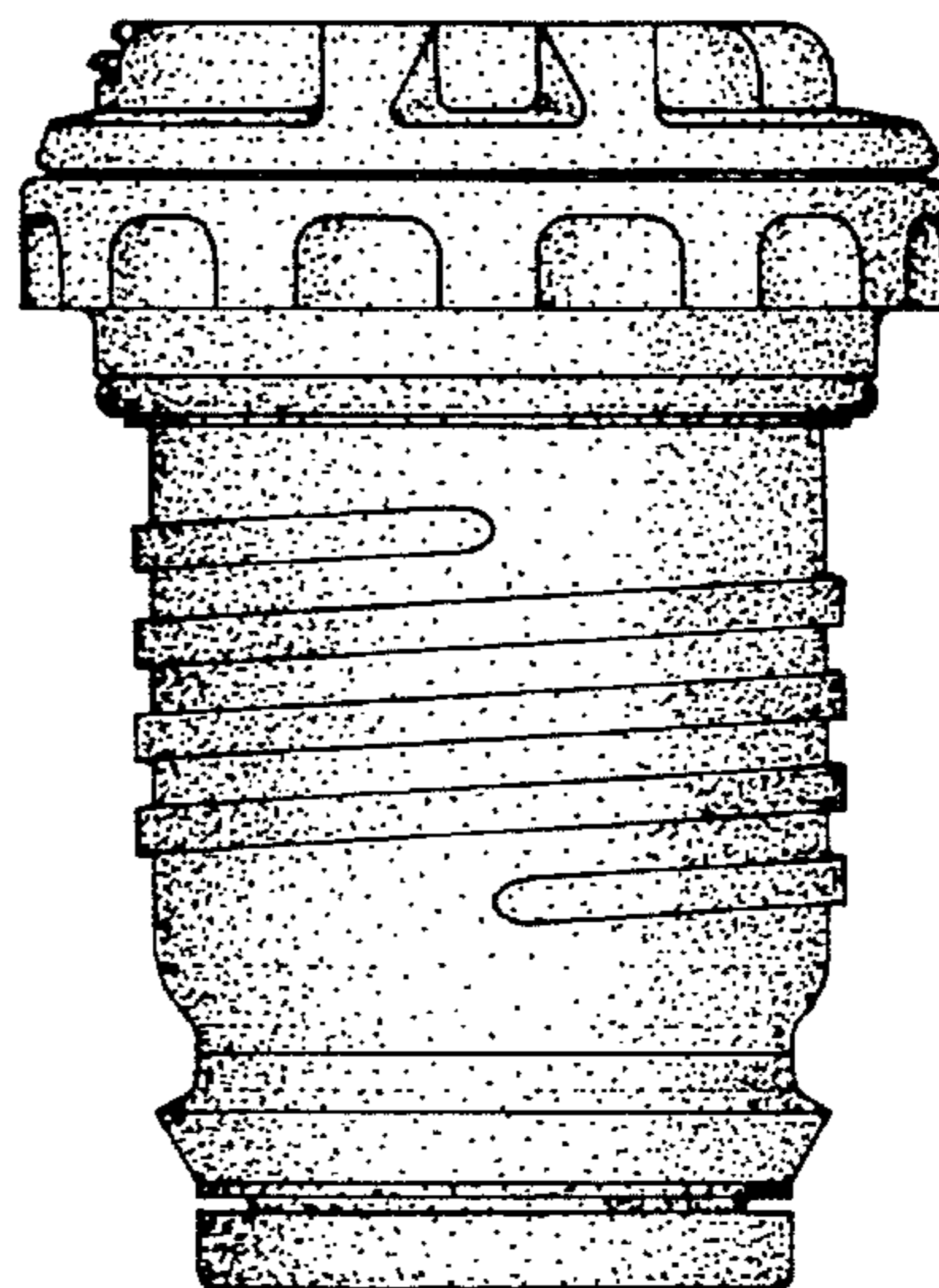


FIG. 5

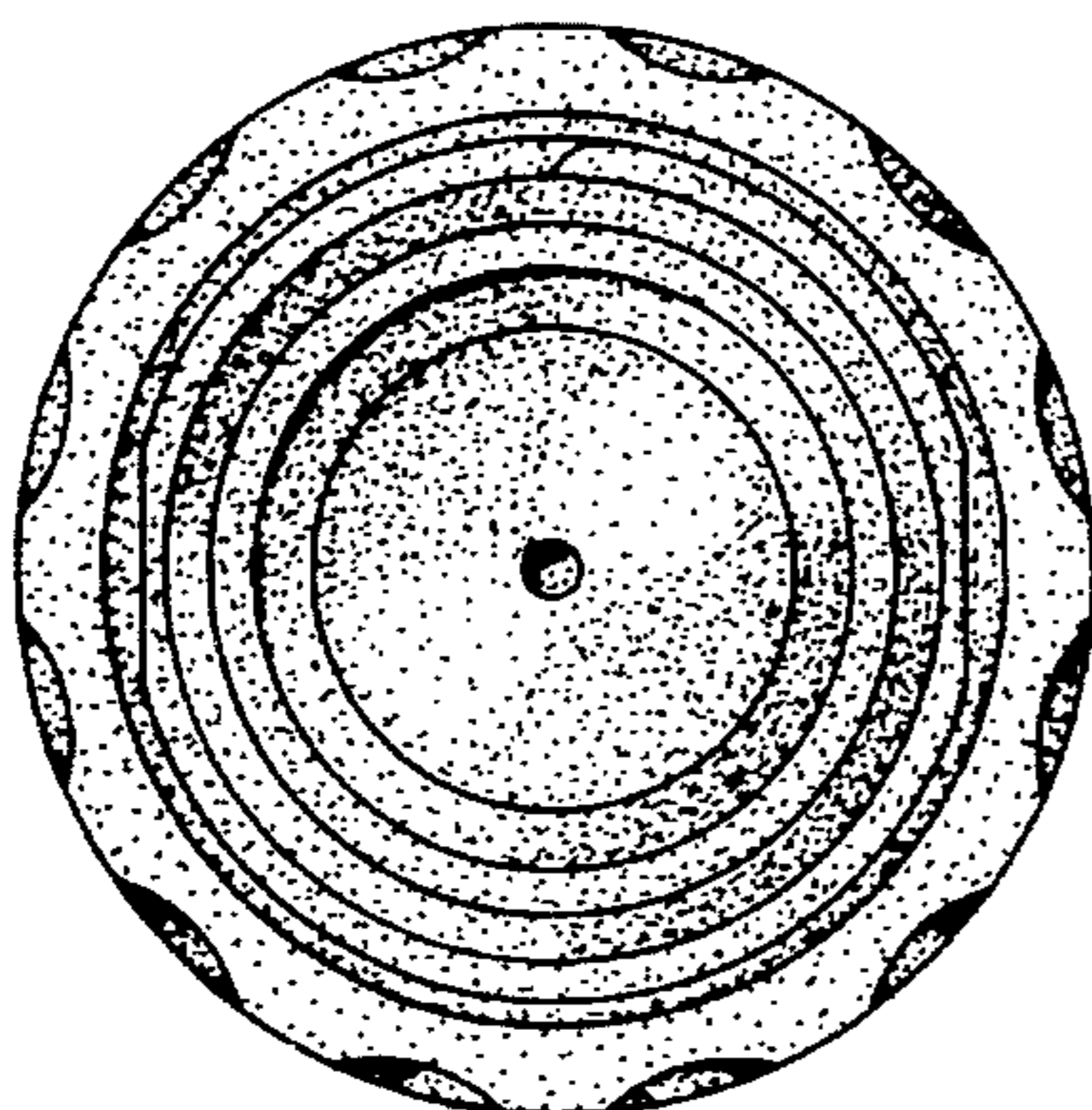


FIG. 4

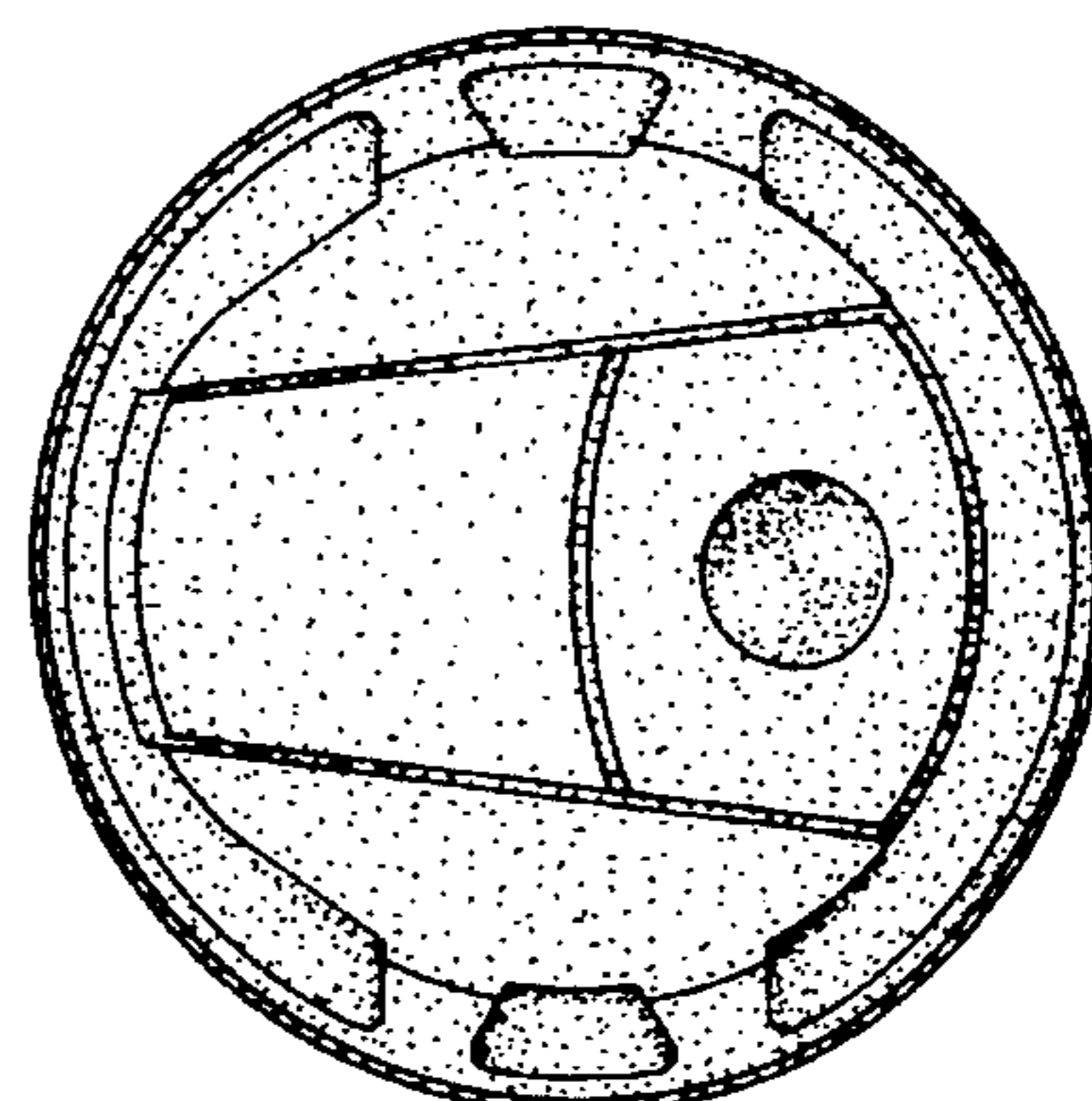


FIG. 7

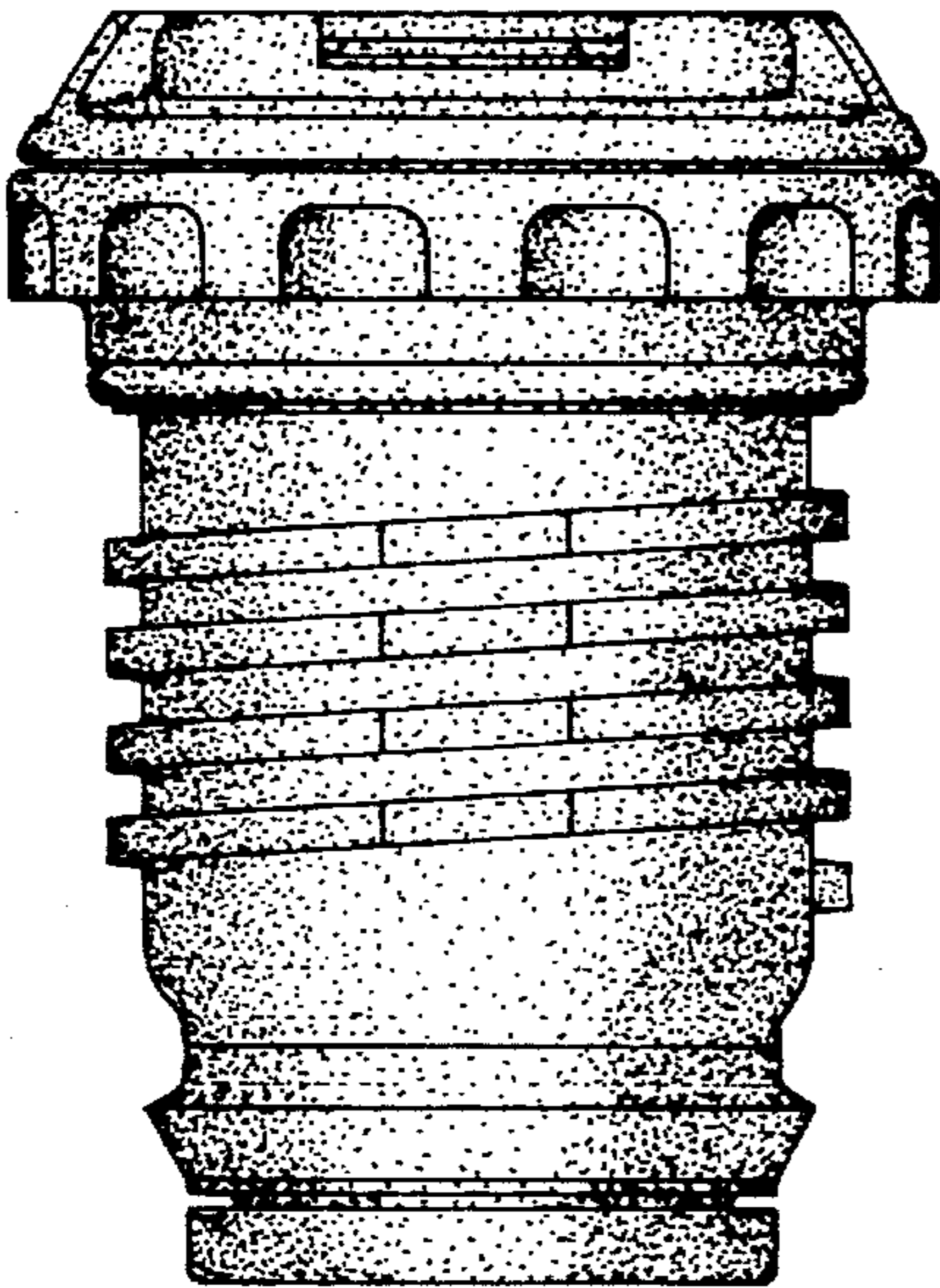


FIG. 6

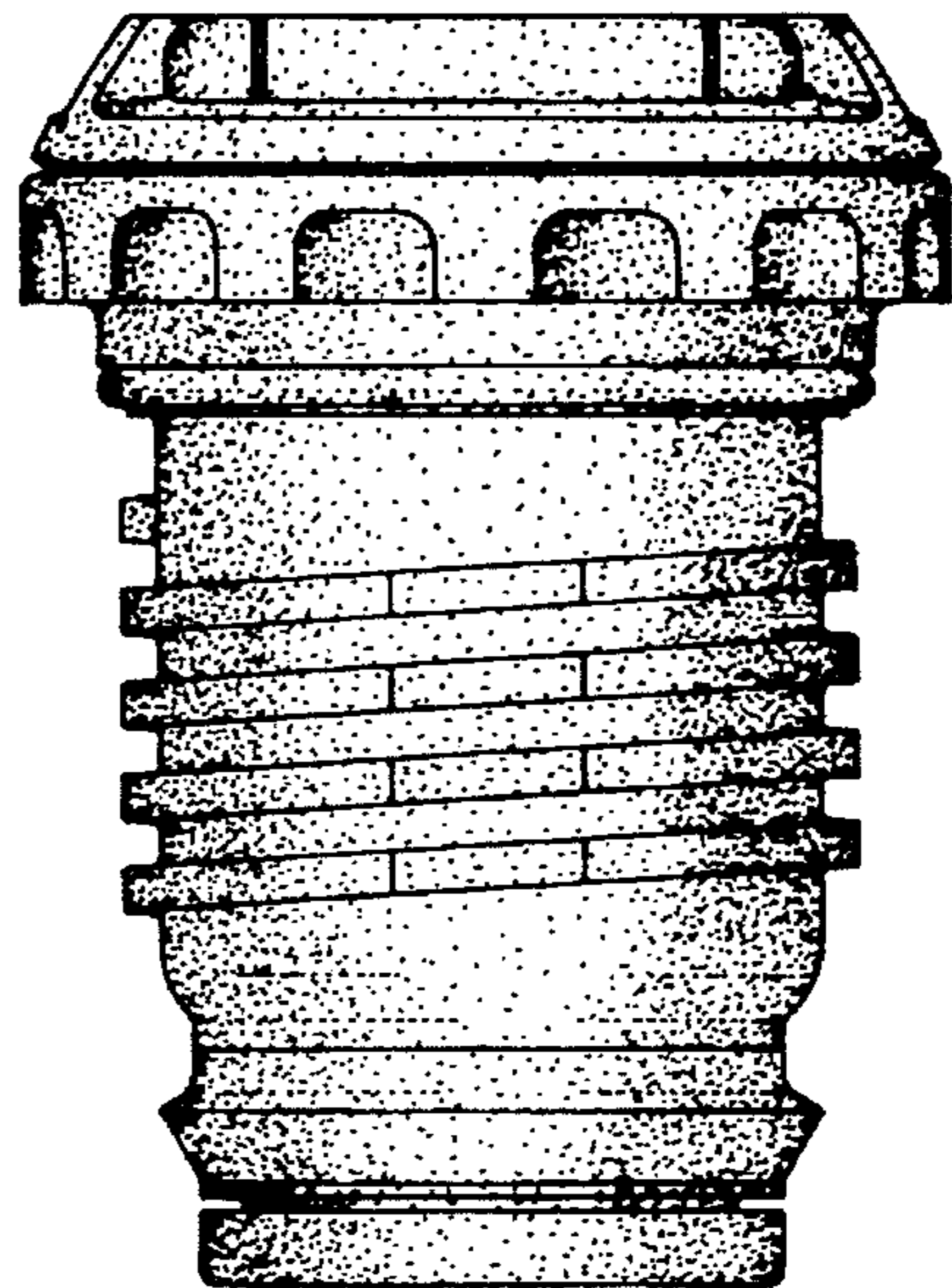


FIG. 8

