



US00D375018S

United States Patent [19]

Goto et al.

[11] Patent Number: **Des. 375,018**

[45] Date of Patent: ****Oct. 29, 1996**

[54] **CAP FOR DRINK CONTAINER**

[75] Inventors: **Toru Goto; Seiichi Ito; Kunio Hatsumoto; Takashi Kato**, all of Tokyo, Japan

[73] Assignee: **Nippon Sanso Corporation**, Tokyo, Japan

[**] Term: **14 Years**

[21] Appl. No.: **44,225**

[22] Filed: **Sep. 20, 1995**

[30] **Foreign Application Priority Data**

Jul. 14, 1995 [JP] Japan 7-20538

[52] U.S. Cl. **D7/392.1**; D9/440; D9/439

[58] Field of Search D7/391, 392.1, D7/510, 511; D9/435, 434, 439, 440, 445, 452, 447; 215/256, 306

[56] **References Cited**

U.S. PATENT DOCUMENTS

- D. 175,644 1/1956 Terwilliger D9/439
- D. 182,301 3/1958 Pancrazi D9/439
- D. 185,724 7/1959 Terwilliger D9/439
- D. 187,402 3/1960 Fessler D9/439

- D. 188,471 7/1960 Terwilliger D9/439
- D. 219,806 2/1971 Coleman et al. D9/439
- D. 240,716 7/1976 Hegi D9/440
- D. 288,667 3/1987 Miner D9/440 X
- D. 289,378 4/1987 Miskinis D9/439
- 3,716,163 2/1973 Marcel D9/439 X
- 4,479,307 10/1984 Goldberg et al. 215/256

Primary Examiner—M. N. Pandozzi
Attorney, Agent, or Firm—Lowe, Price, LeBlanc & Becker

[57] **CLAIM**

The ornamental design for the cap for drink container, as shown and described.

DESCRIPTION

FIG. 1 is a perspective view of a cap for drink container showing our new design;
 FIG. 2 is a front elevational view thereof;
 FIG. 3 is a rear elevational view thereof;
 FIG. 4 is a top plan view thereof;
 FIG. 5 is a bottom plan view thereof;
 FIG. 6 is a right side elevational view thereof;
 FIG. 7 is a left side elevational view thereof; and,
 FIG. 8 is a perspective view of the cap for drink container showing a mouth in open position thereof.

1 Claim, 2 Drawing Sheets

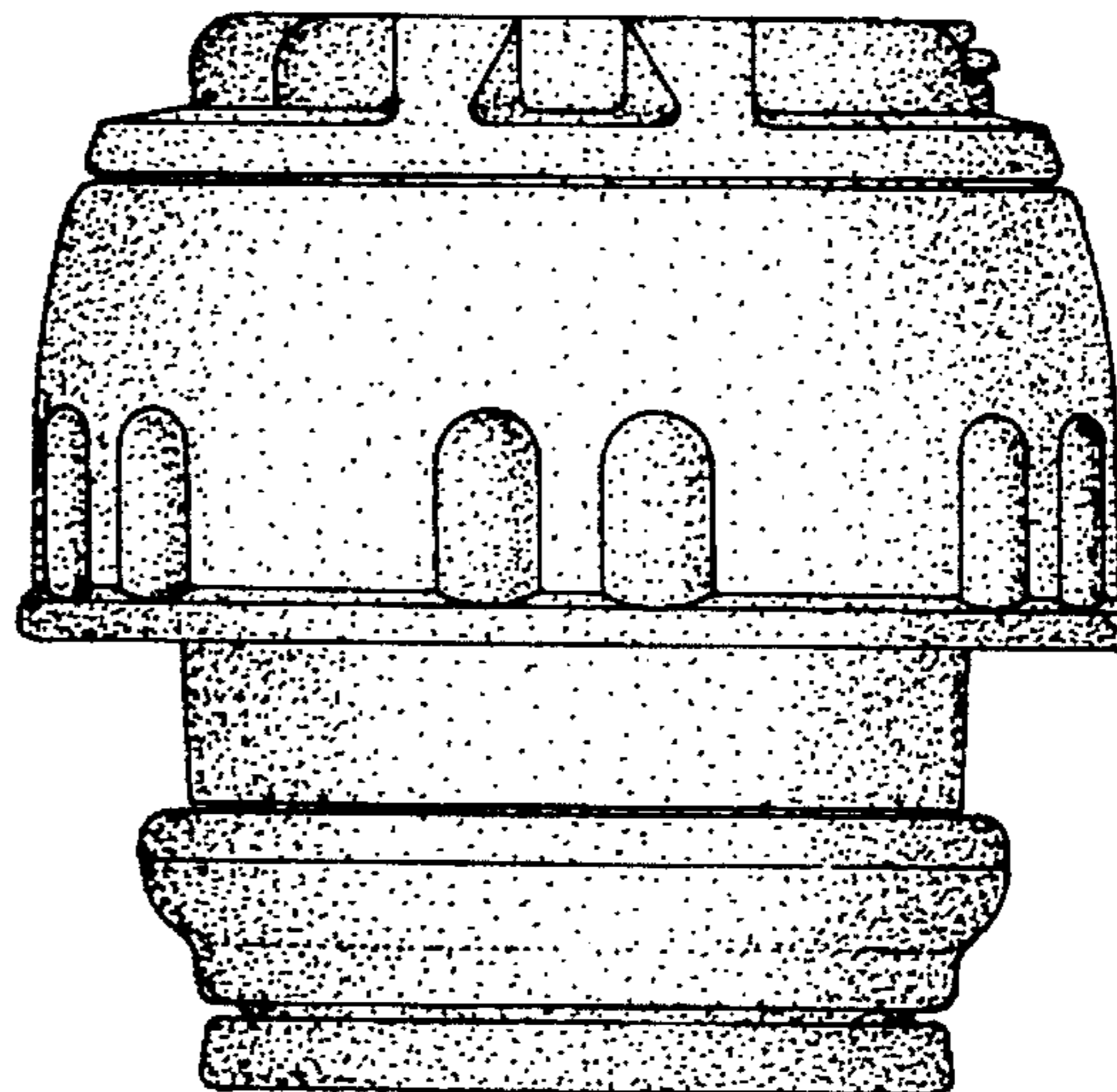
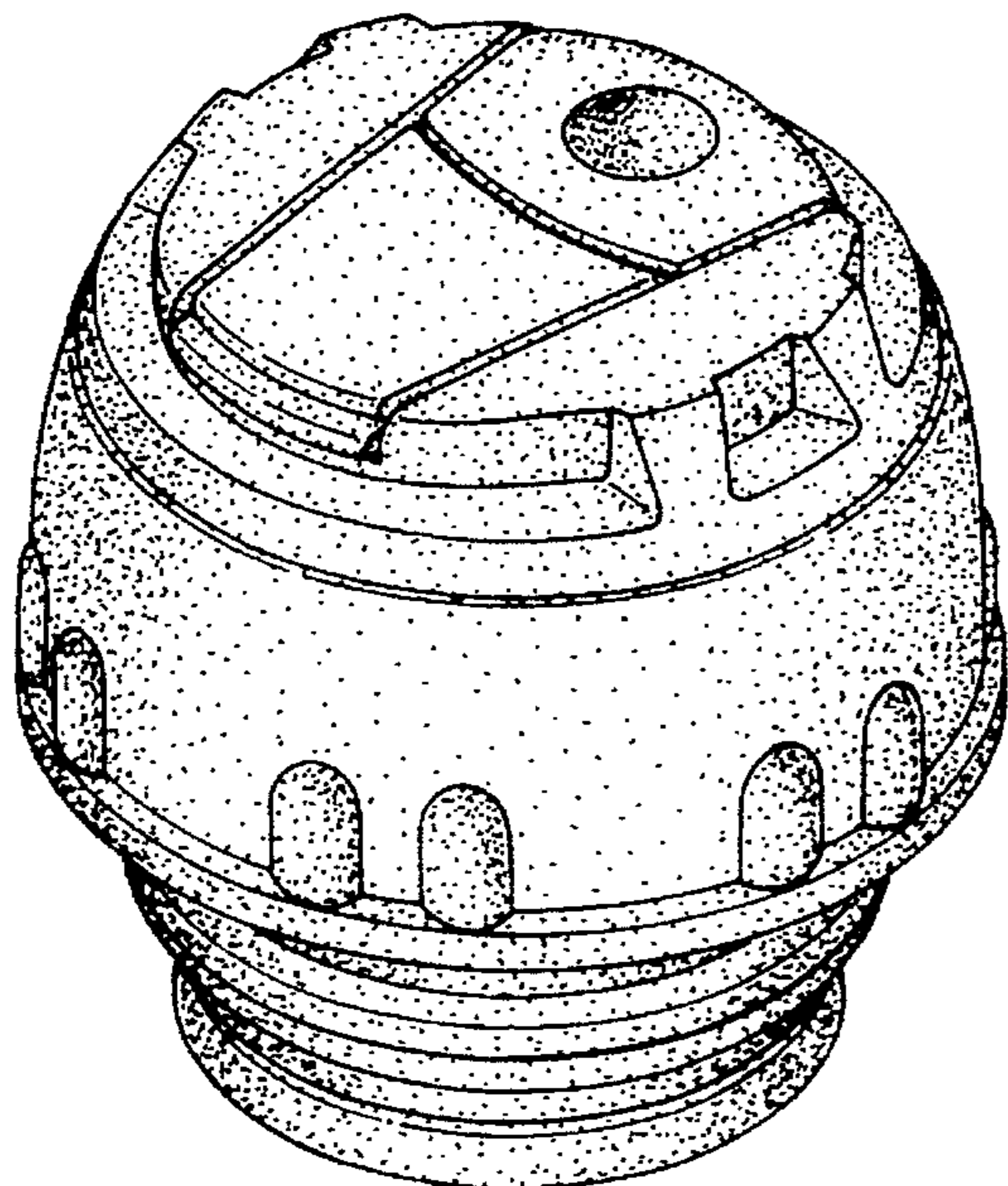


FIG. 1

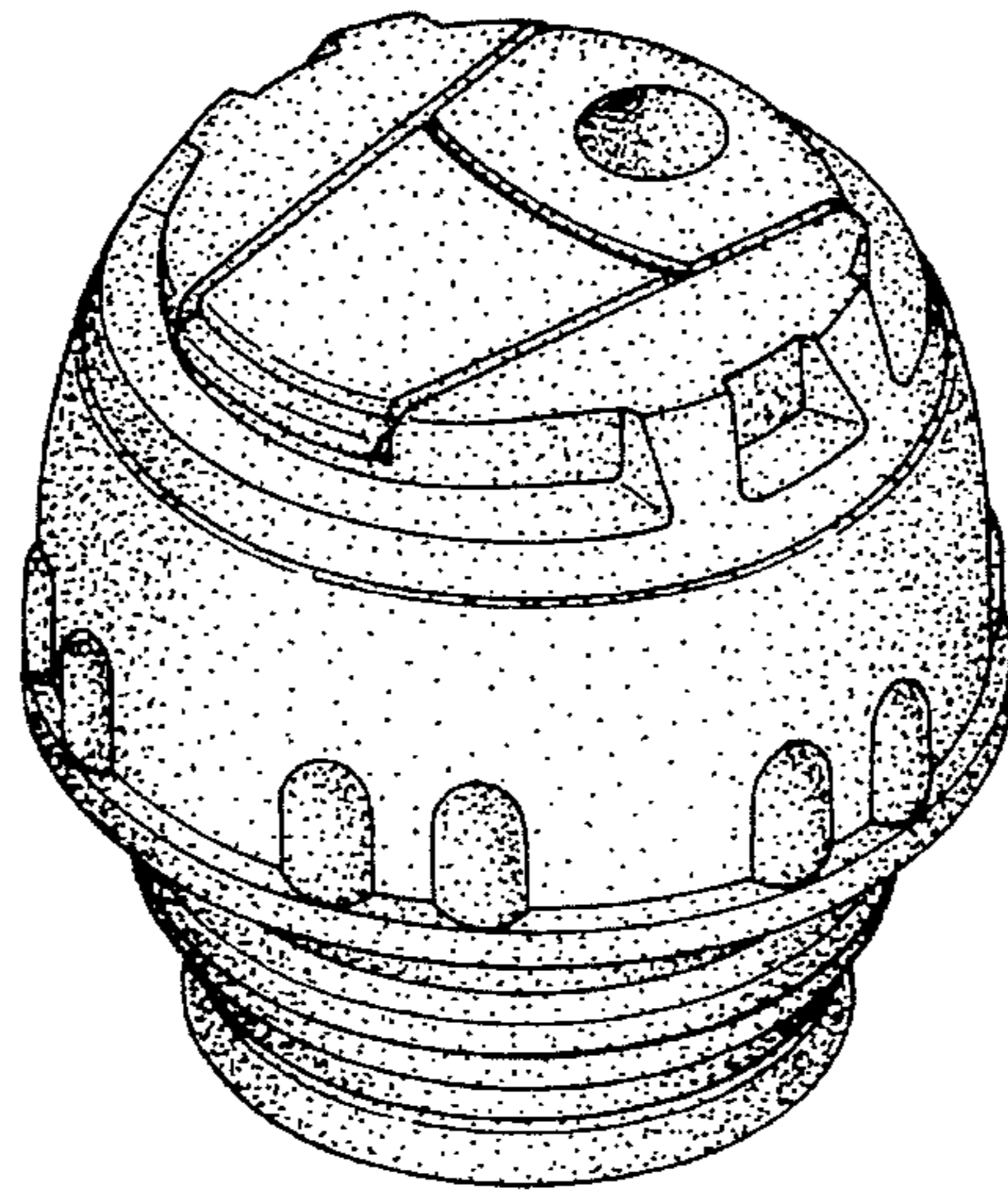


FIG. 3

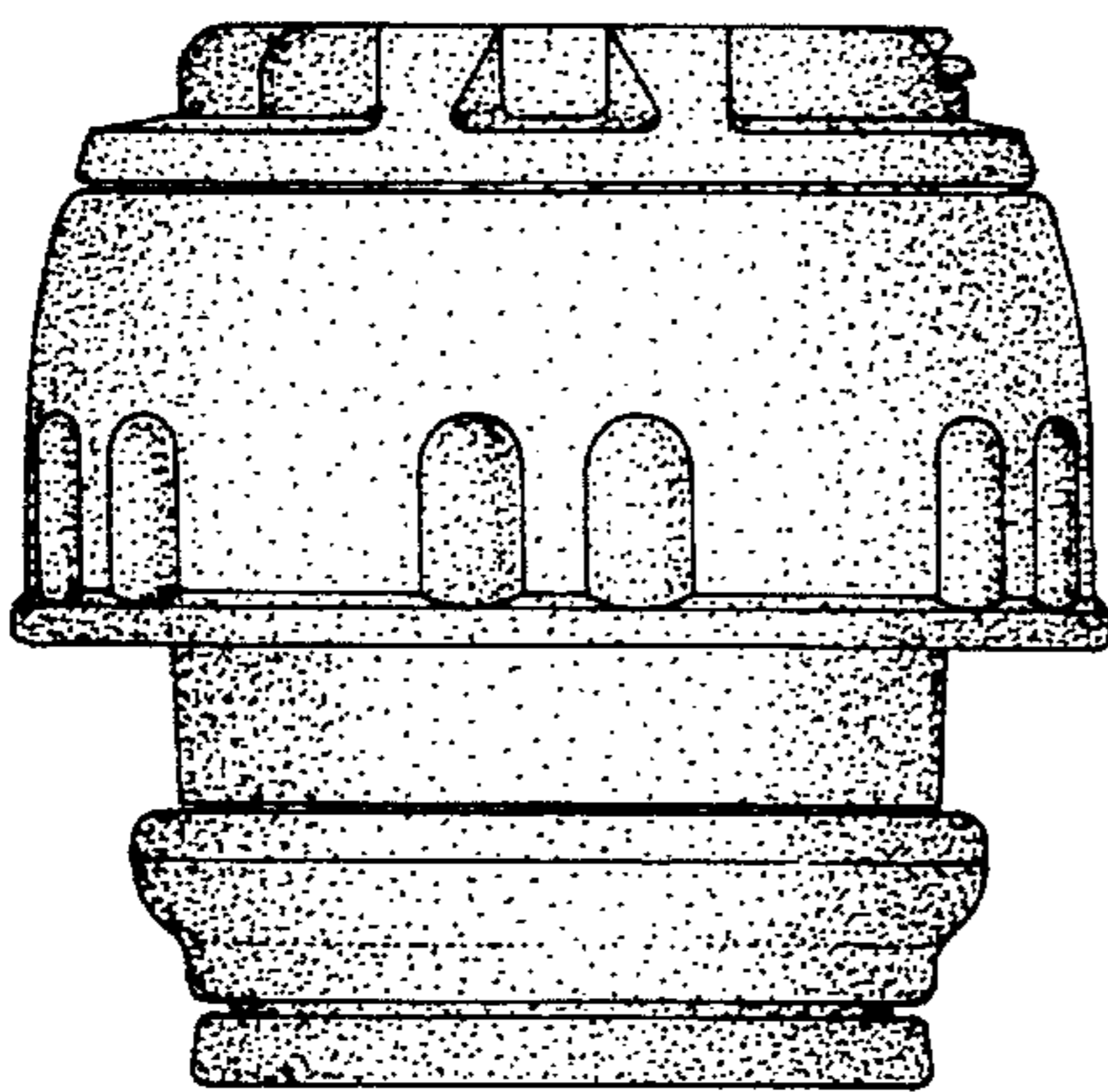


FIG. 2

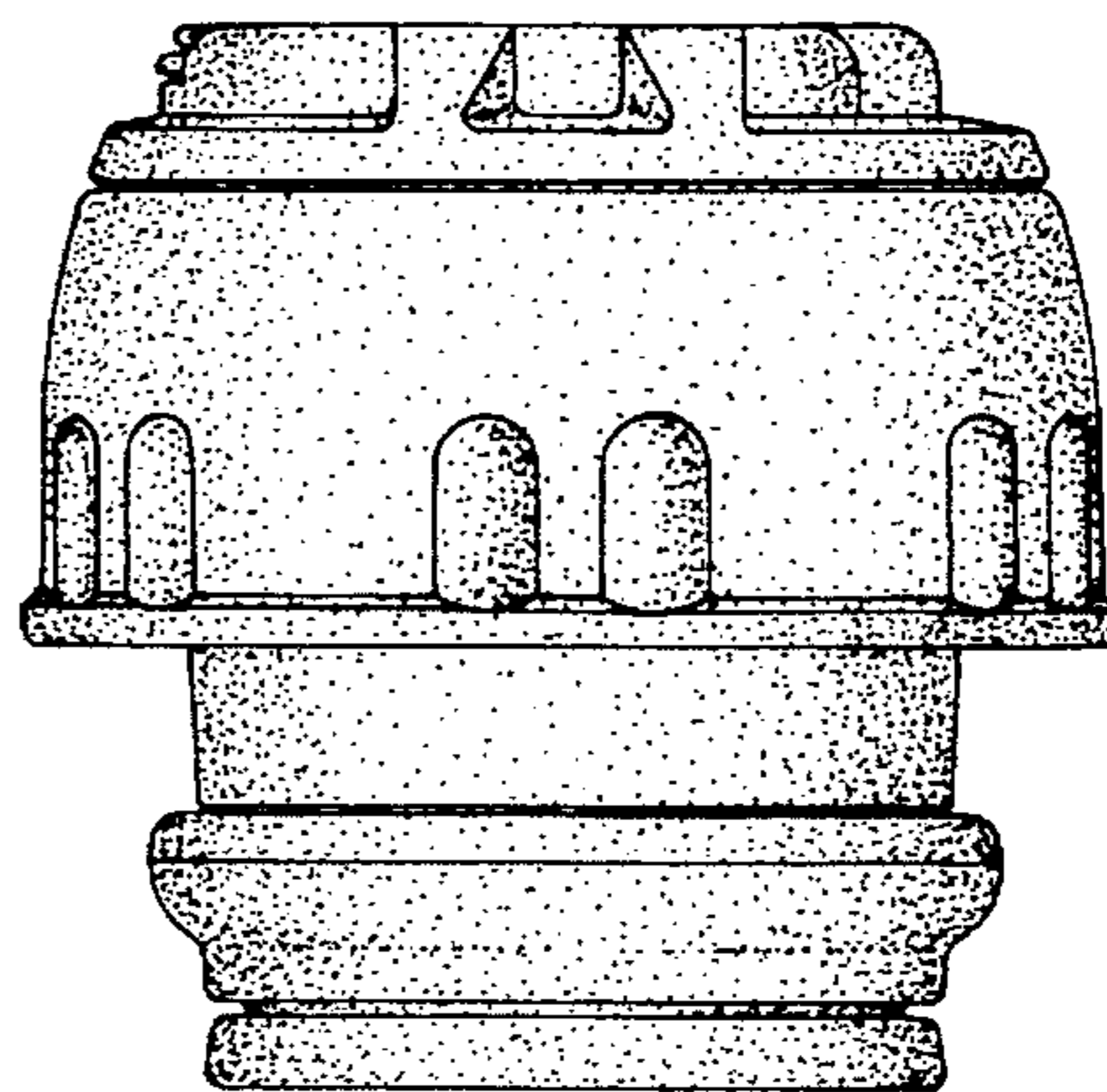


FIG. 5

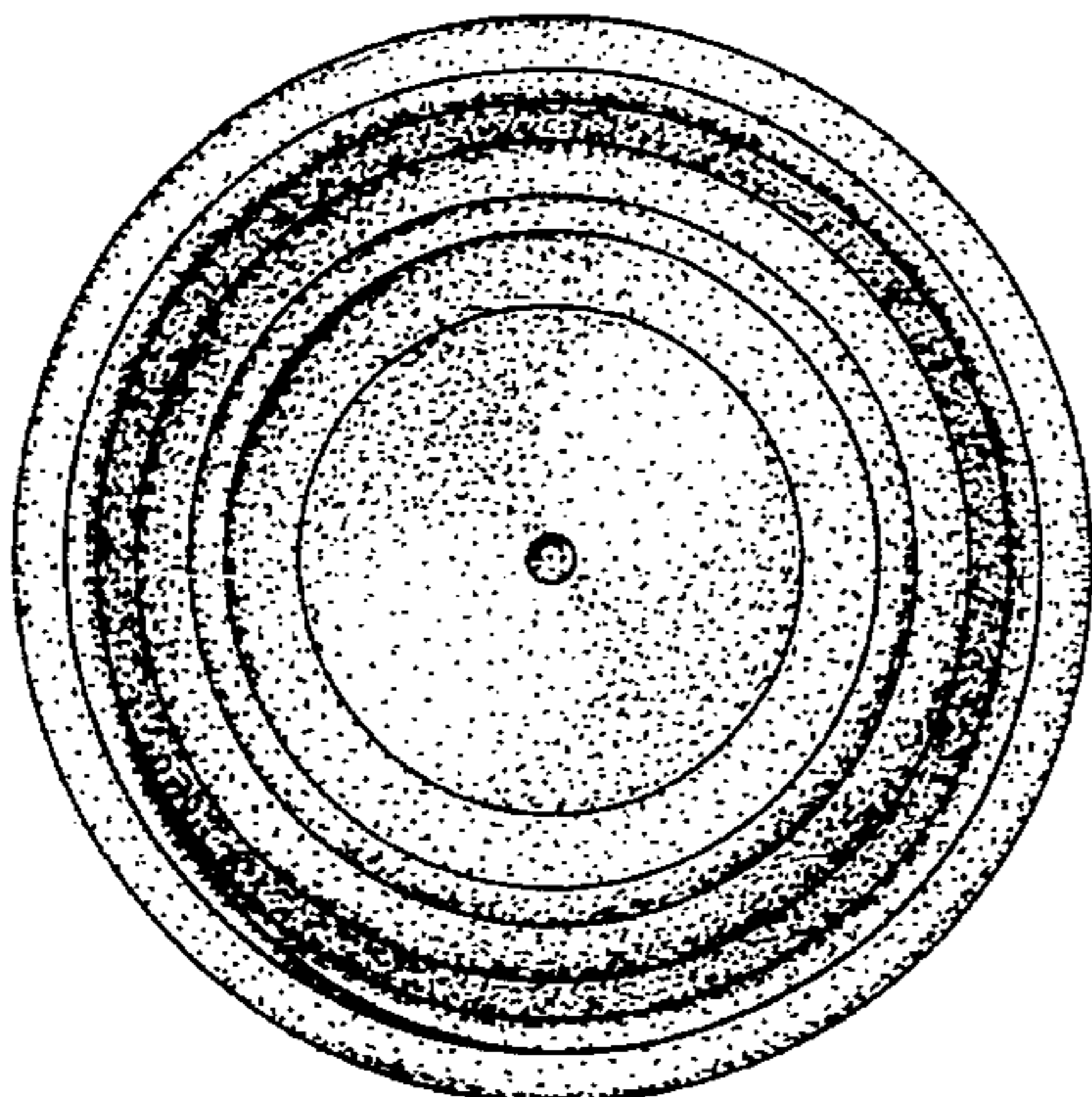


FIG. 4

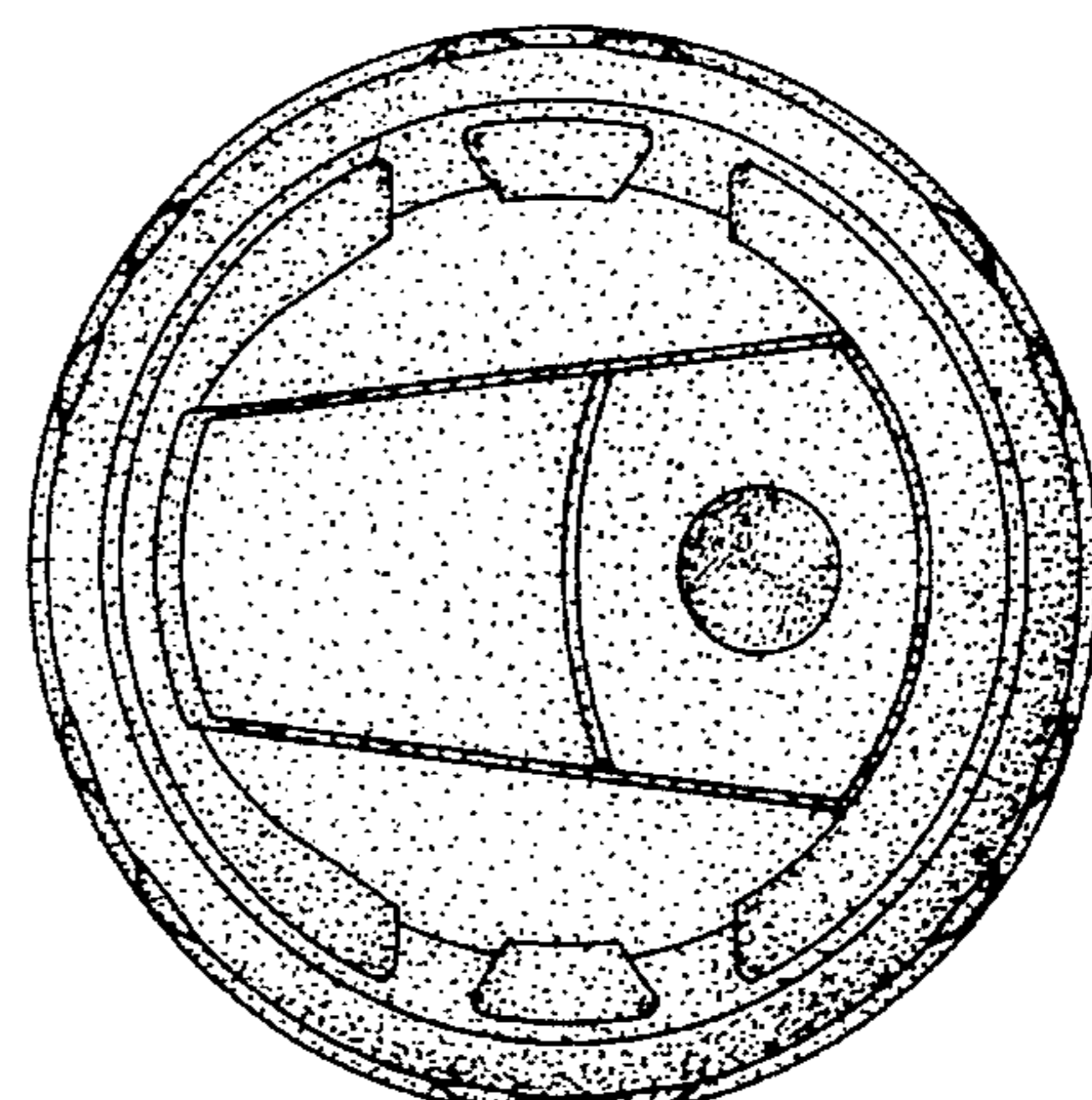


FIG.7

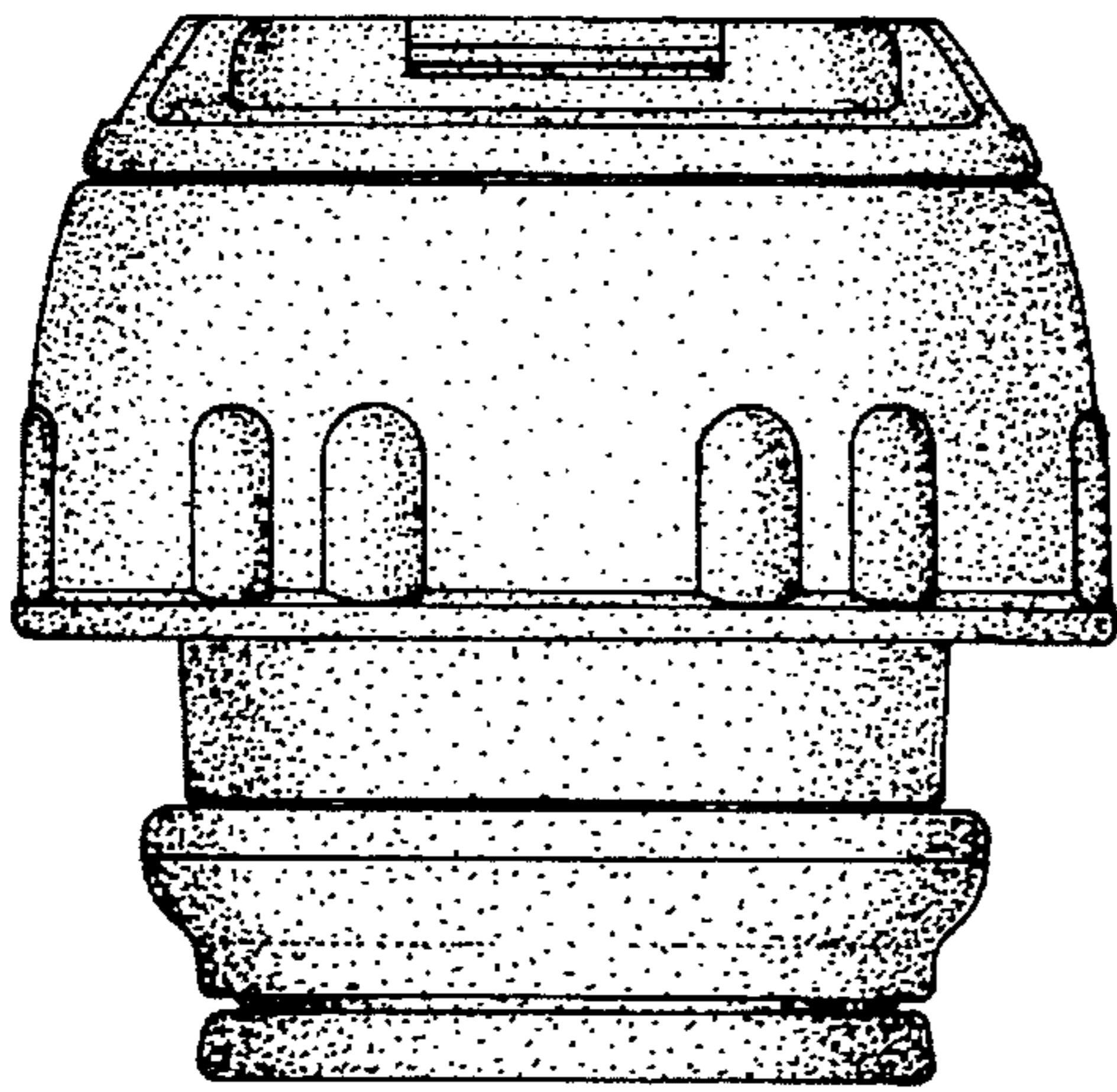


FIG.6

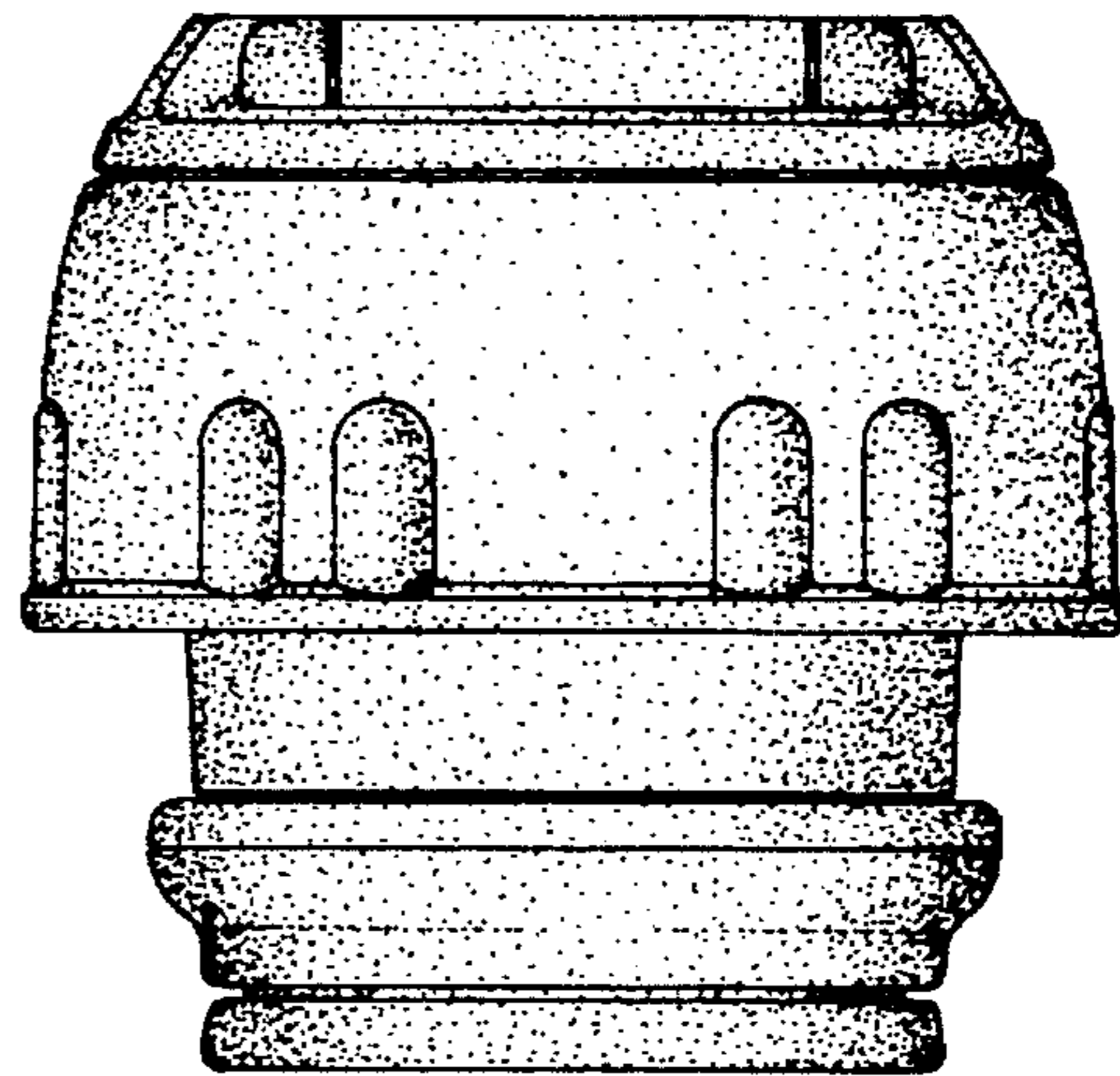


FIG.8

