



US00D375017S

# United States Patent [19]

**Barrault**

[11] **Patent Number: Des. 375,017**

[45] **Date of Patent: \*\*Oct. 29, 1996**

[54] **ELECTRIC TOASTER**

[75] Inventor: **Jean-Louis Barrault**, Boulogne, France

[73] Assignee: **Moulinex S.A.**, Paris, France

[\*\*] Term: **14 Years**

[21] Appl. No.: **47,005**

[22] Filed: **Nov. 24, 1995**

[30] **Foreign Application Priority Data**

May 24, 1995 [FR] France ..... 95 2992

[52] **U.S. Cl.** ..... **D7/330**

[58] **Field of Search** ..... D7/323, 328-330,  
D7/390; 99/327, 328, 341, 372, 385, 389,  
391, 392

[56] **References Cited**

**U.S. PATENT DOCUMENTS**

- D. 266,732 11/1982 Kelley ..... D7/330
- D. 315,272 3/1991 Moore et al. .... D7/330
- D. 328,685 8/1992 Wolfe ..... D7/328 X

D. 329,161	9/1992	Eisenberg .....	D7/328 X
2,309,640	2/1943	Gough .....	D7/330 X
2,560,388	7/1951	Olving .....	99/328
2,567,075	9/1951	Lindberg .....	99/328

*Primary Examiner*—Nelson C. Holtje  
*Assistant Examiner*—Caron D. Veynar  
*Attorney, Agent, or Firm*—Young & Thompson

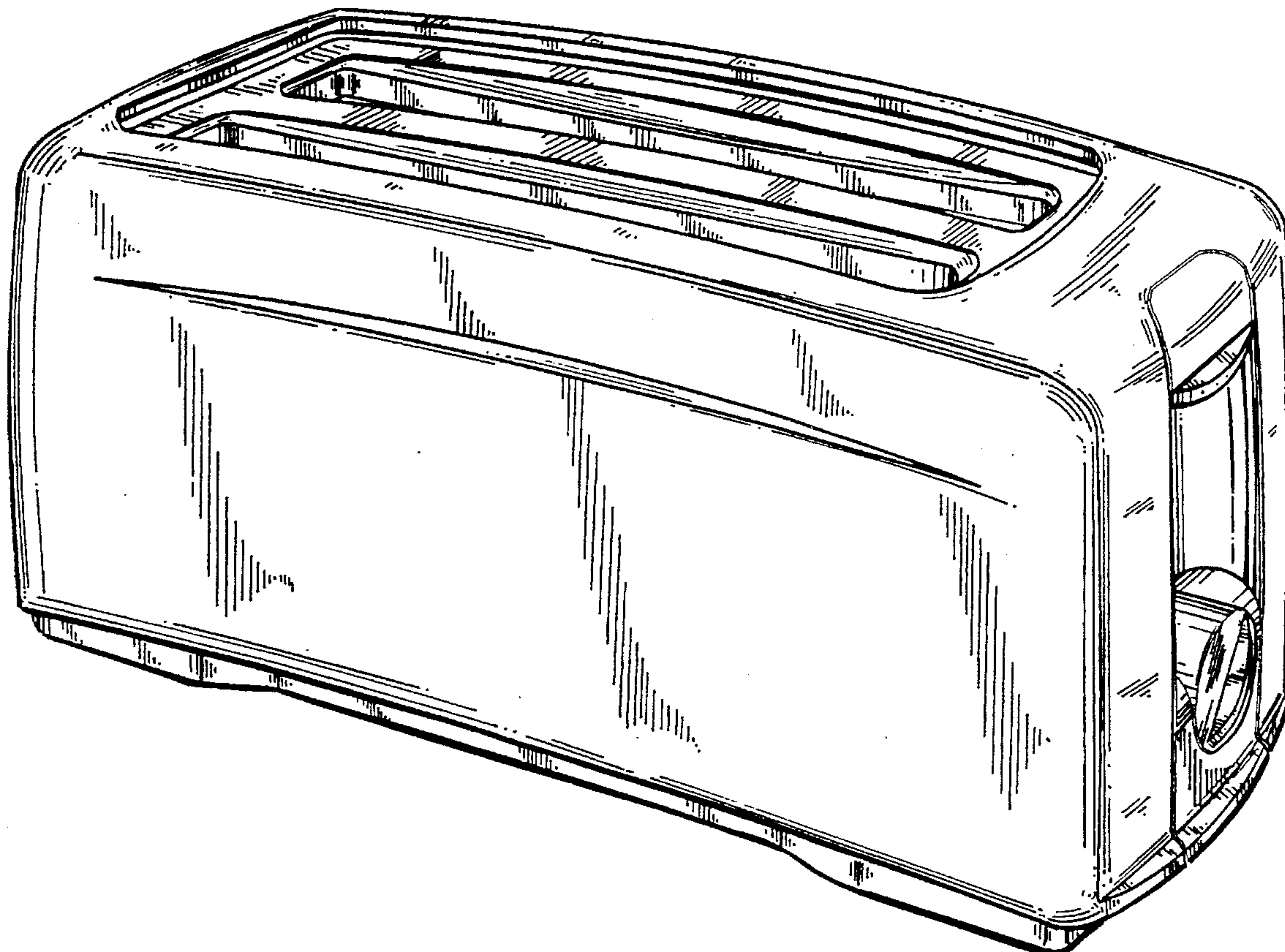
[57] **CLAIM**

The ornamental design for an electric toaster, as shown and described.

**DESCRIPTION**

FIG. 1 is a top, front and side perspective view of an electric toaster showing my new design;  
FIG. 2 is a side elevational view thereof, the side opposite that shown in FIG. 2 being the mirror image thereof;  
FIG. 3 is a front elevational view thereof;  
FIG. 4 is a rear elevational view thereof;  
FIG. 5 is a top plan view thereof; and,  
FIG. 6 is a bottom plan view thereof.

**1 Claim, 5 Drawing Sheets**



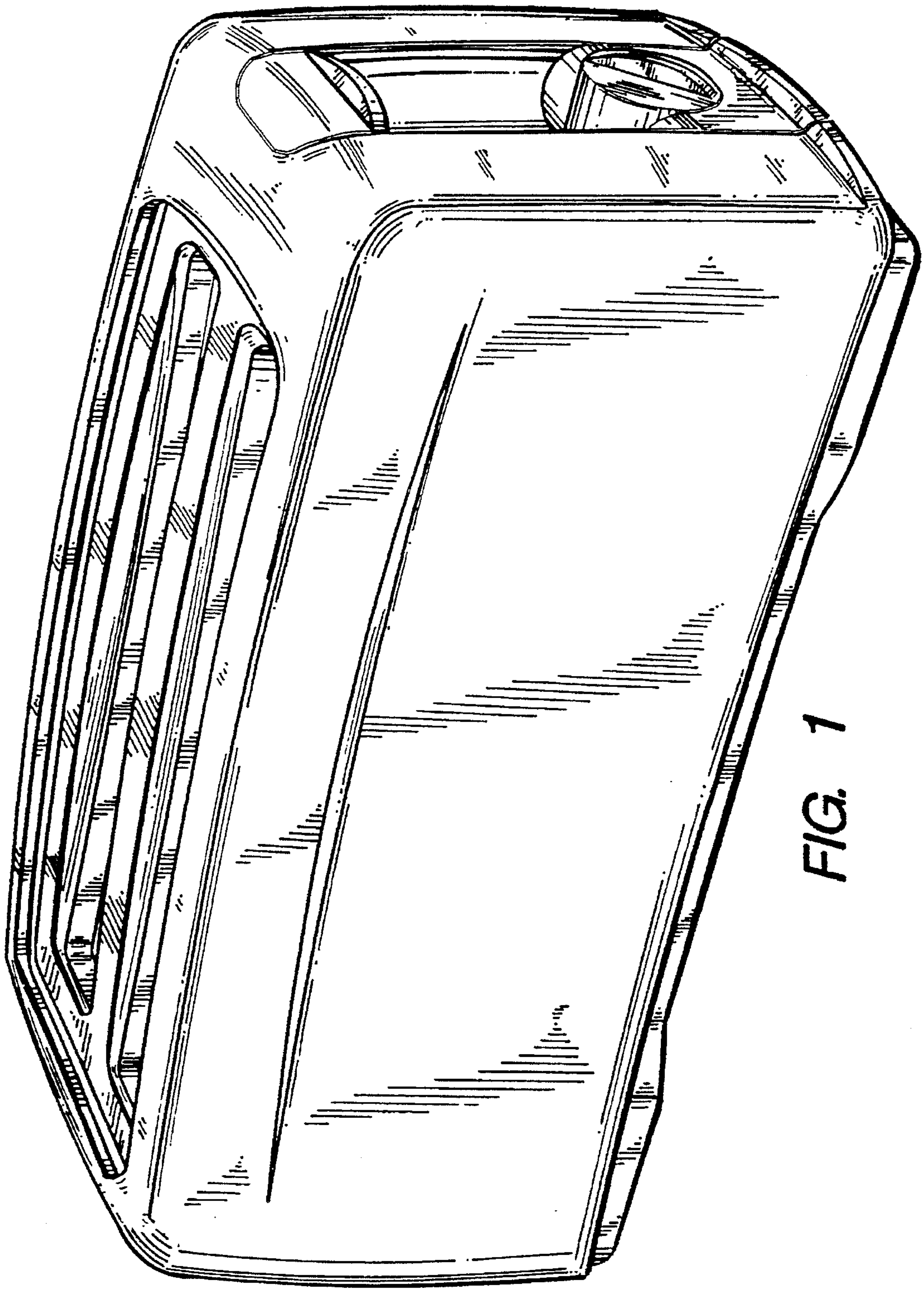


FIG. 1

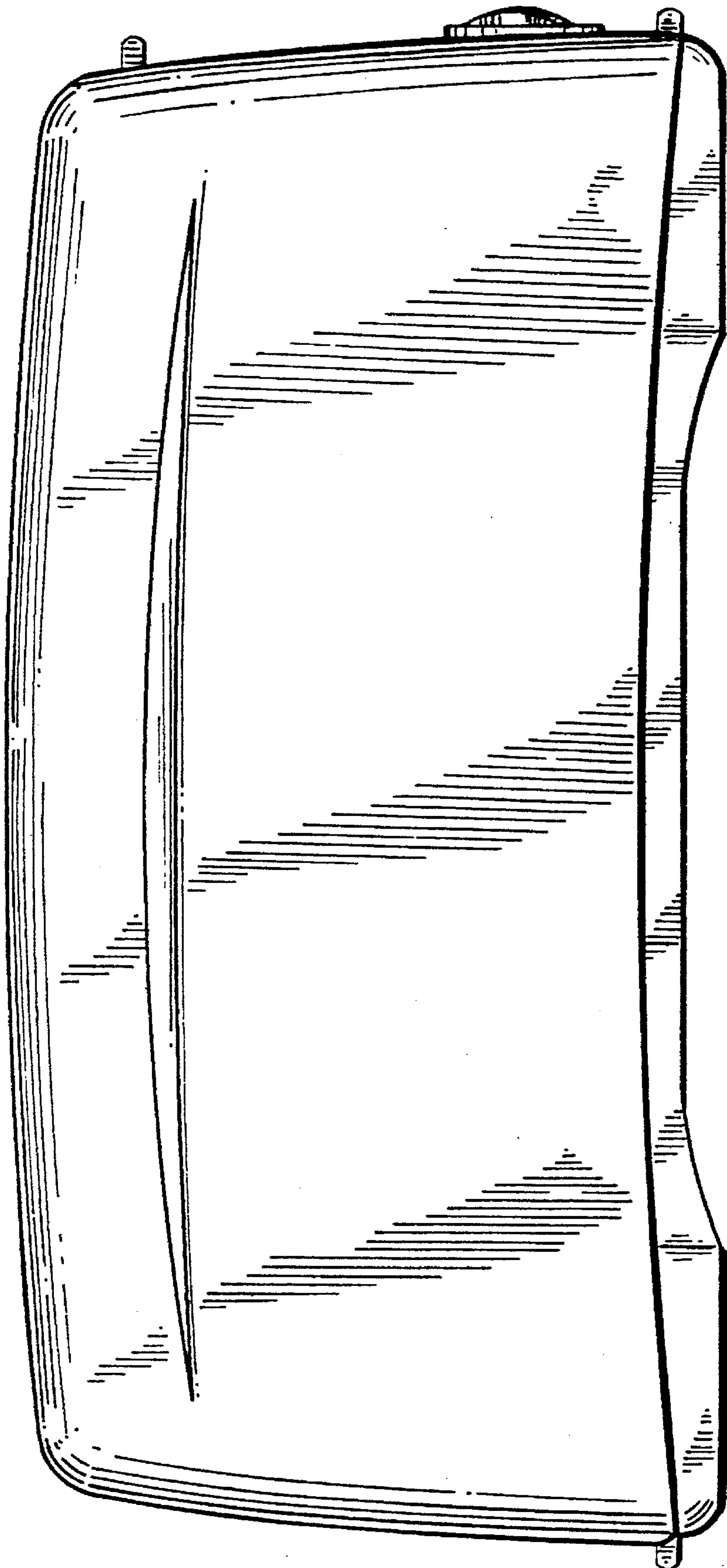
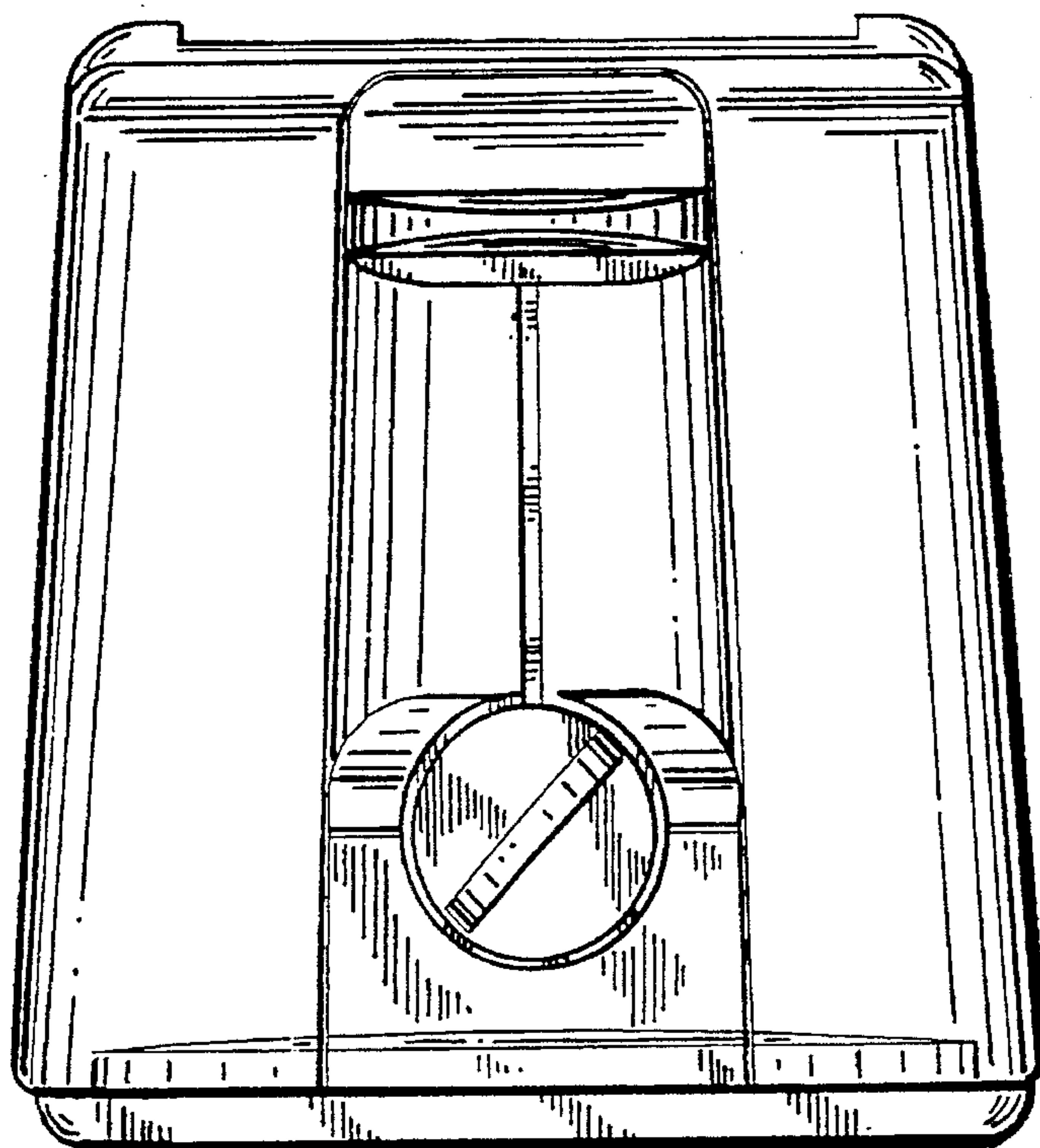
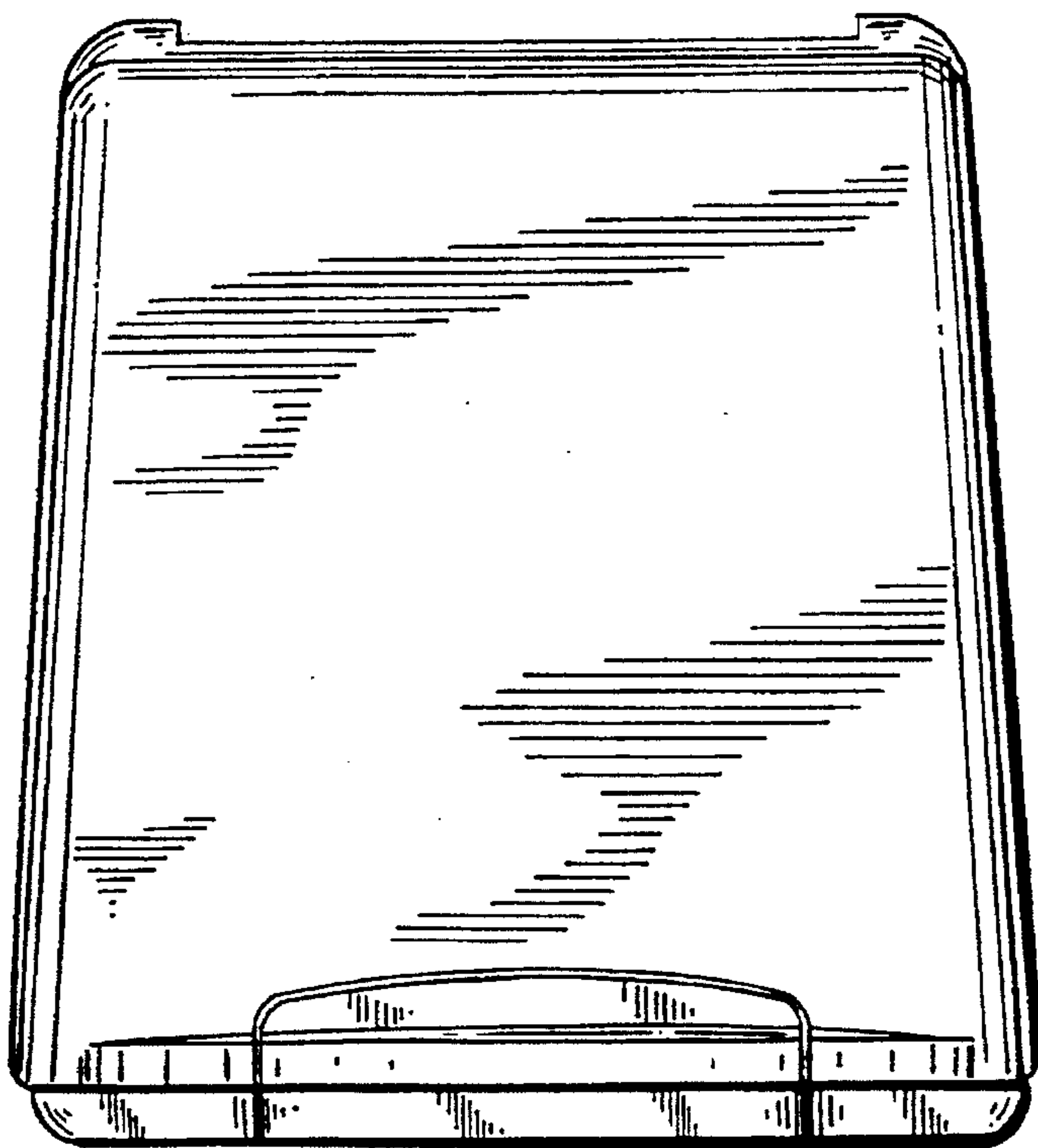


FIG. 2





**FIG. 3**



**FIG. 4**

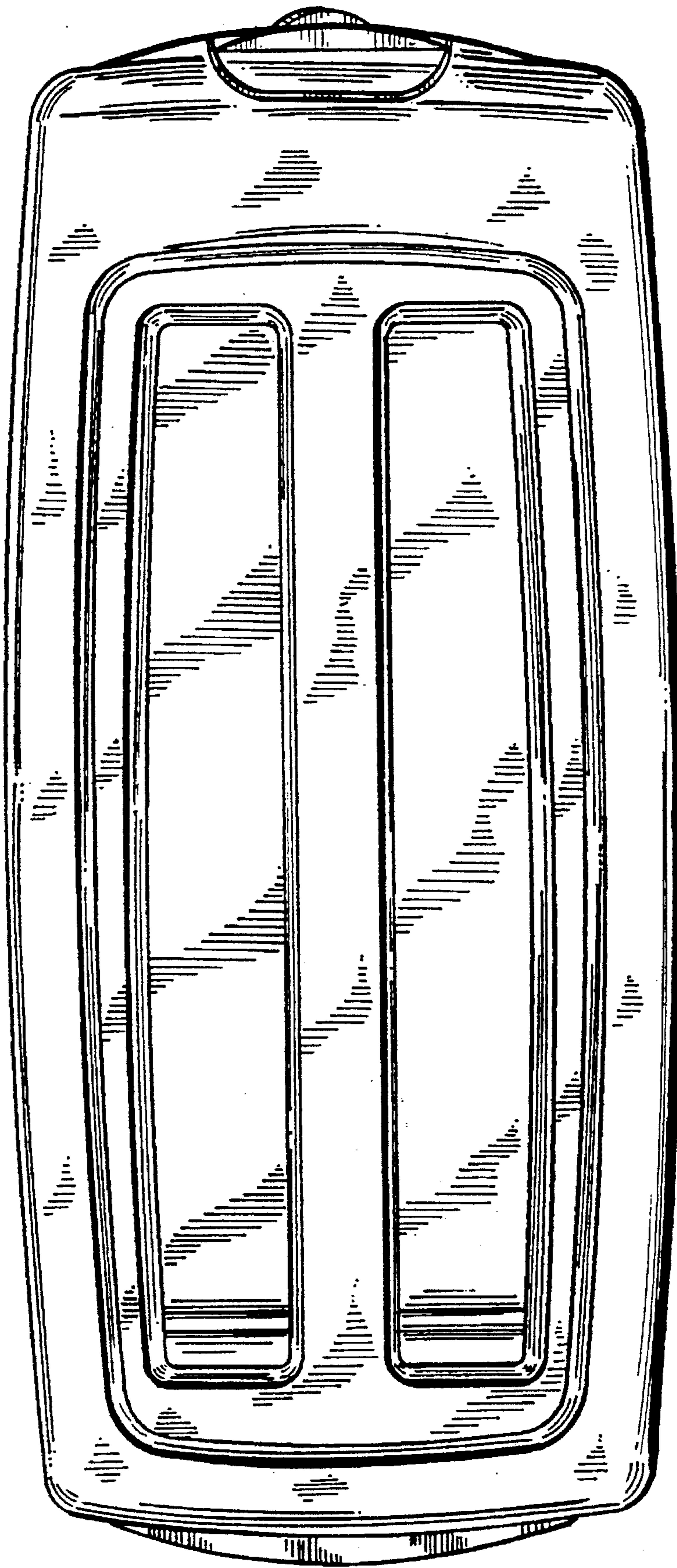


FIG. 5

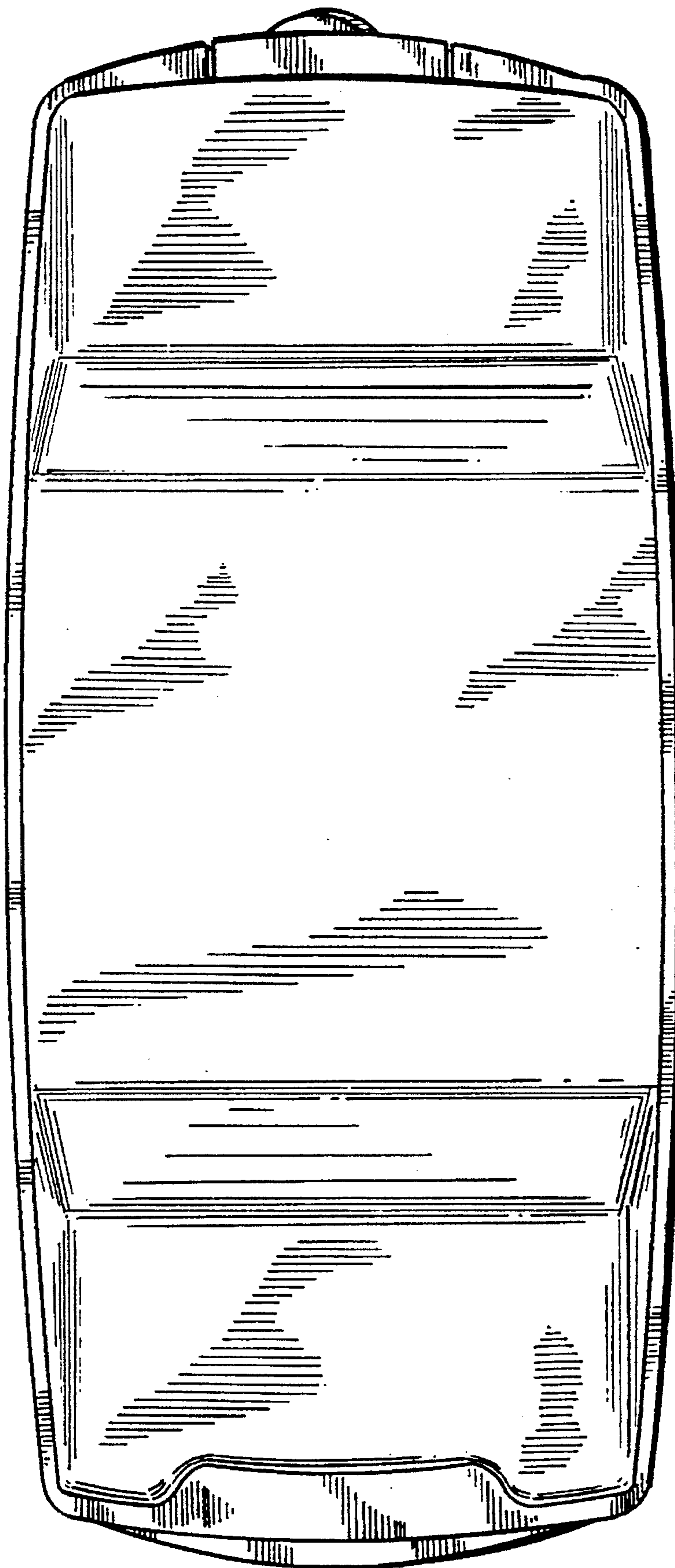


FIG. 6